

US00D387116S

**United States Patent** [19]  
**Chênevert**

[11] **Patent Number:** **Des. 387,116**  
[45] **Date of Patent:** **\*\*Dec. 2, 1997**

[54] **CHASSIS FOR IN-LINE ROLLER SKATE**

[75] **Inventor:** **François Chênevert**, Laval des Rapides, Canada

[73] **Assignee:** **Bauer Inc.**, Canada

[\*\*] **Term:** **14 Years**

[21] **Appl. No.:** **63,094**

[22] **Filed:** **Nov. 26, 1996**

[30] **Foreign Application Priority Data**

May 28, 1996 [CA] Canada ..... 1996-1227

[51] **LOC (6) Cl.** ..... **21-02**

[52] **U.S. Cl.** ..... **D21/226**

[58] **Field of Search** ..... **D21/224-230;**  
**280/11.2, 11.19, 11.22, 11.23, 11.27**

[56] **References Cited**

**U.S. PATENT DOCUMENTS**

D. 354,105	1/1995	Meibock et al.	.....	D21/226
D. 355,690	2/1995	Meibock et al.	.....	D21/226
5,257,795	11/1993	Babcock	.....	280/11.22
5,460,390	10/1995	Miller	.....	280/11.22
5,552,972	9/1996	Rezvani	.....	280/11.22
5,584,491	12/1996	Kronyak, Jr.	.....	280/11.22

*Primary Examiner*—Raphael Barkai  
*Attorney, Agent, or Firm*—Finnegan, Henderson, Farabow, Garrett & Dunner, L.L.P.

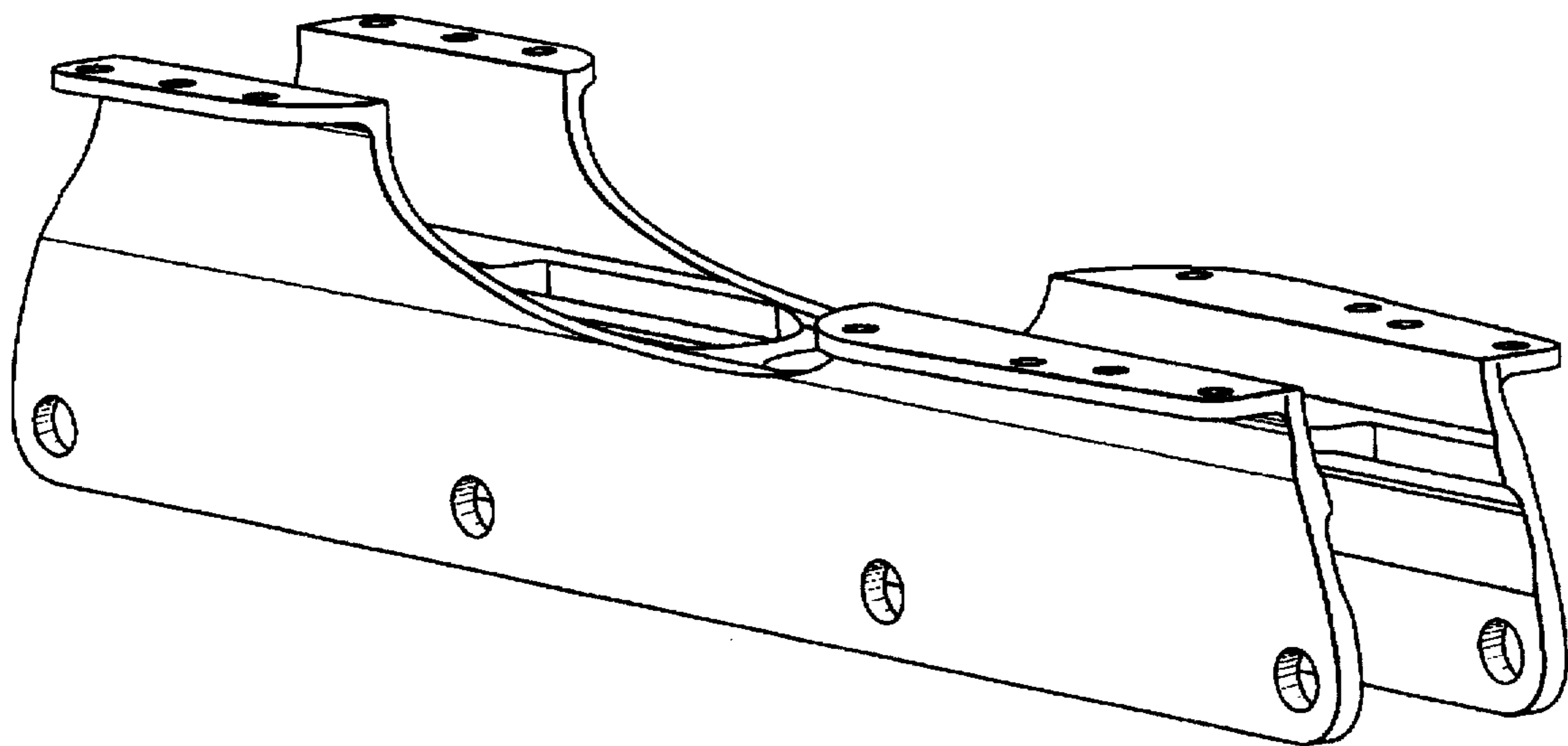
[57] **CLAIM**

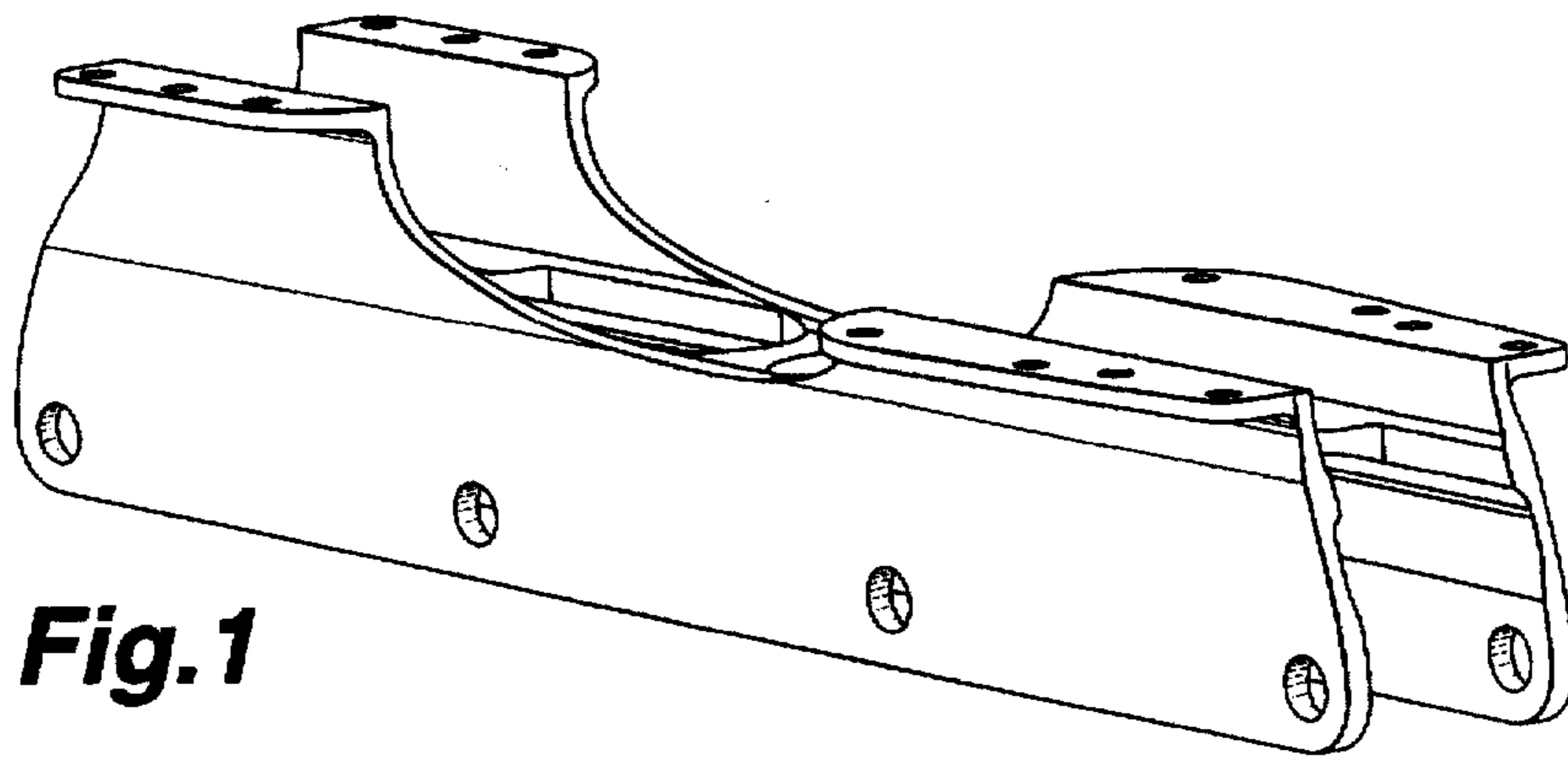
The ornamental design for a chassis for in-line roller skate, as shown and described.

**DESCRIPTION**

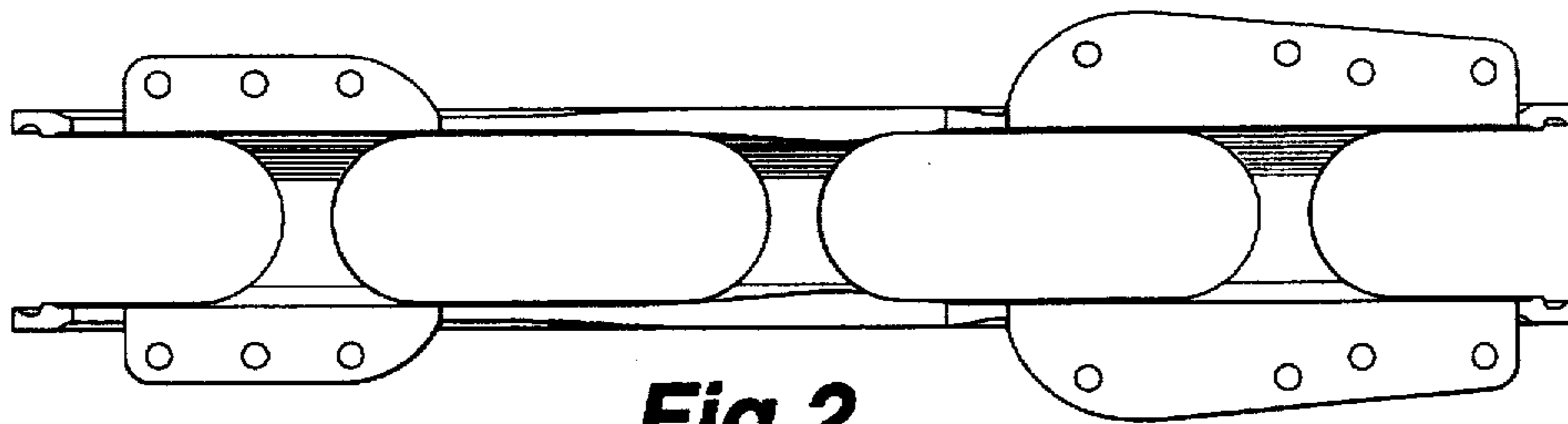
FIG. 1 is a perspective view of the chassis for in-line roller skate according to this design;  
FIG. 2 is a top plan view of the chassis shown in FIG. 1;  
FIG. 3 is a side elevational view of the chassis shown in FIG. 1;  
FIG. 4 is a bottom plan view of the chassis shown in FIG. 1;  
FIG. 5 is a right end elevational view of the chassis shown in FIG. 1;  
FIG. 6 is a left end elevational view of the chassis shown in FIG. 1;  
FIG. 7 is a side elevational view of the chassis for in-line roller skate according to this design shown attached to a skate that is depicted in phantom lines; and,  
The broken lines in FIG. 7 are for illustrative purposes only and form no part of the claimed design.

**1 Claim, 2 Drawing Sheets**

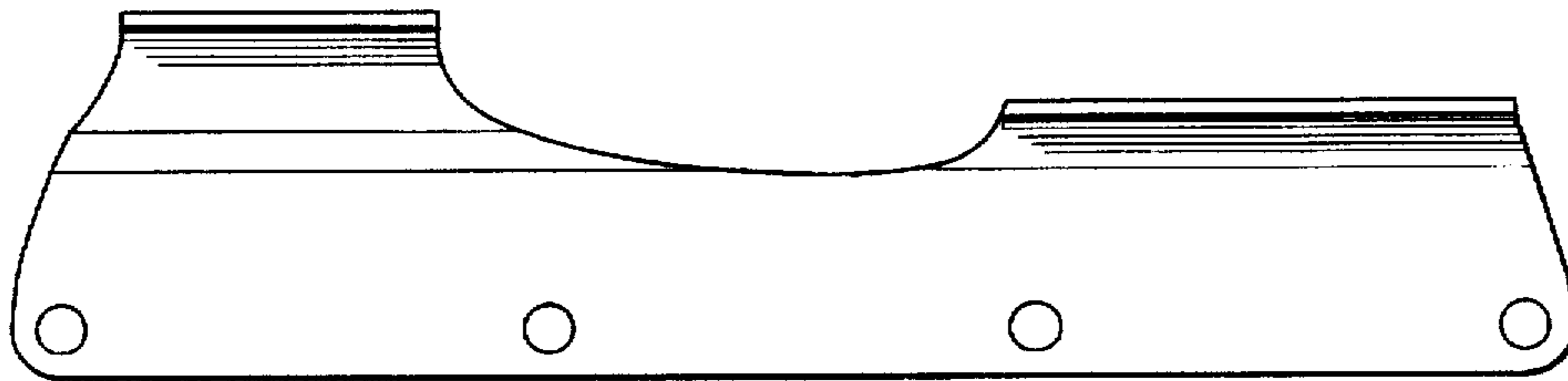




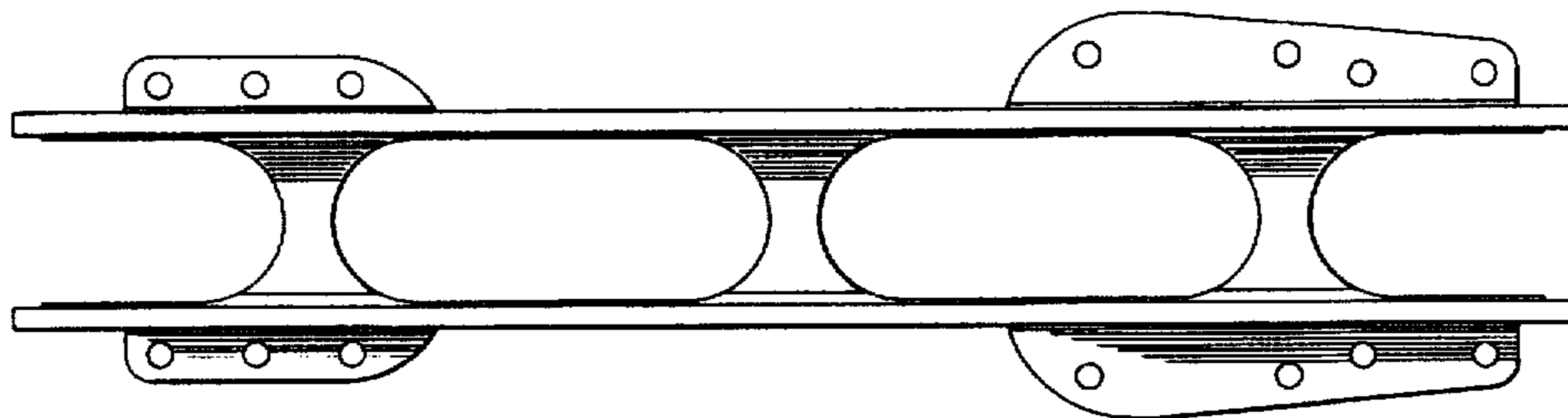
**Fig. 1**



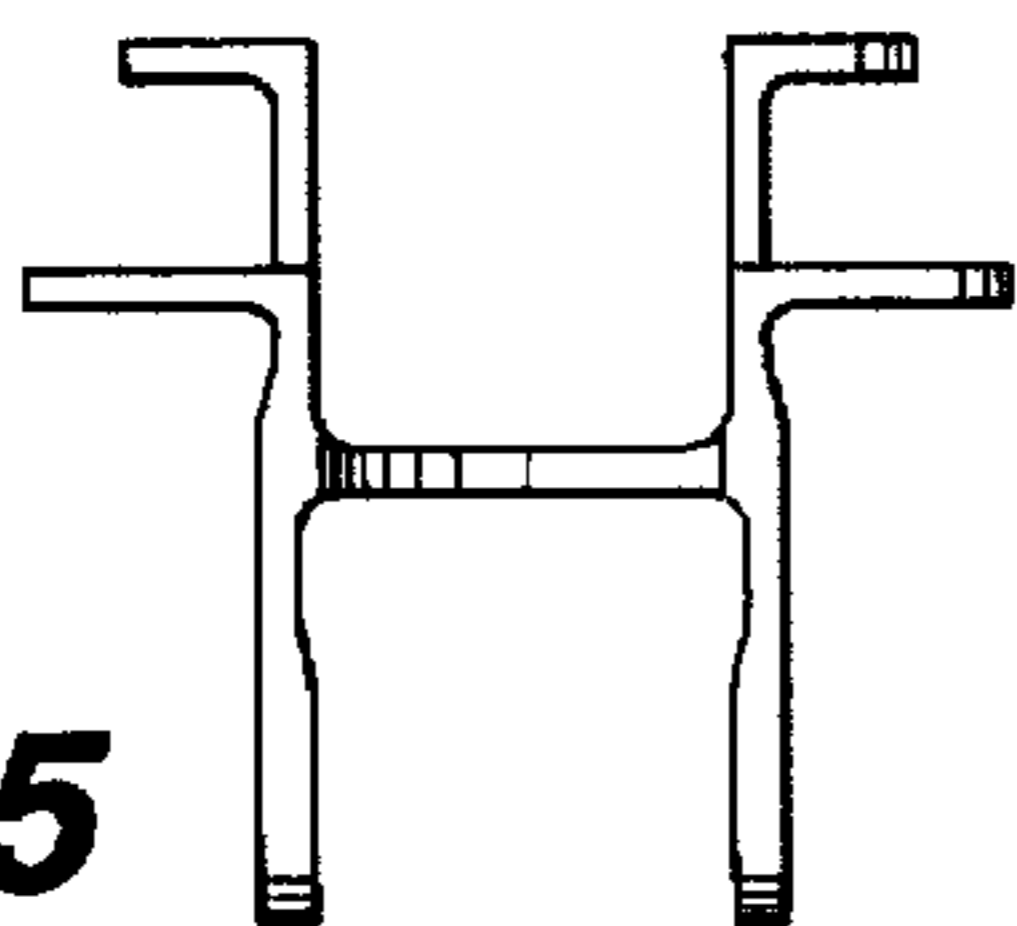
**Fig. 2**



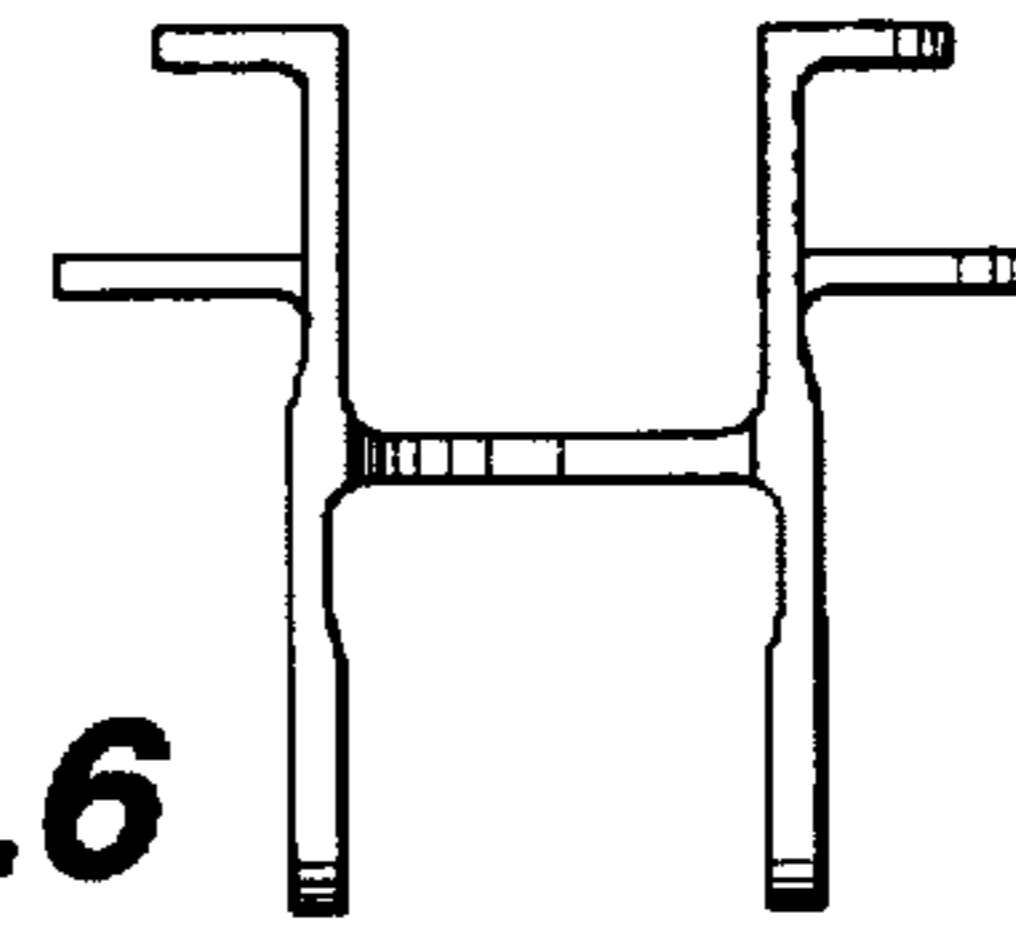
**Fig. 3**



**Fig. 4**



**Fig. 5**



**Fig. 6**



**Fig.7**