



US00D387114S

United States Patent [19]

Bliss

[11] Patent Number: Des. 387,114

[45] Date of Patent: **Dec. 2, 1997

[54] POOL CUE HOLDER

5,139,221 8/1992 Lodrick 248/231.8
5,255,799 10/1993 Haynes 211/68

[76] Inventor: **Larry R. Bliss**, 6203 N. Maple,
Spokane, Wash. 99205

[**] Term: 14 Years

Primary Examiner—Raphael Barkai
Assistant Examiner—Mitchell I. Siegel
Attorney, Agent, or Firm—Keith S. Bergman

[21] Appl. No.: 58,830

[57] CLAIM

[22] Filed: Aug. 26, 1996

The ornamental design for a pool cue holder, as shown and described.

[51] LOC (6) Cl. 21-02

DESCRIPTION

[52] U.S. Cl. D21/223

[58] Field of Search D21/223, 234,
D21/210; D6/552; D8/71, 72; 473/42, 43

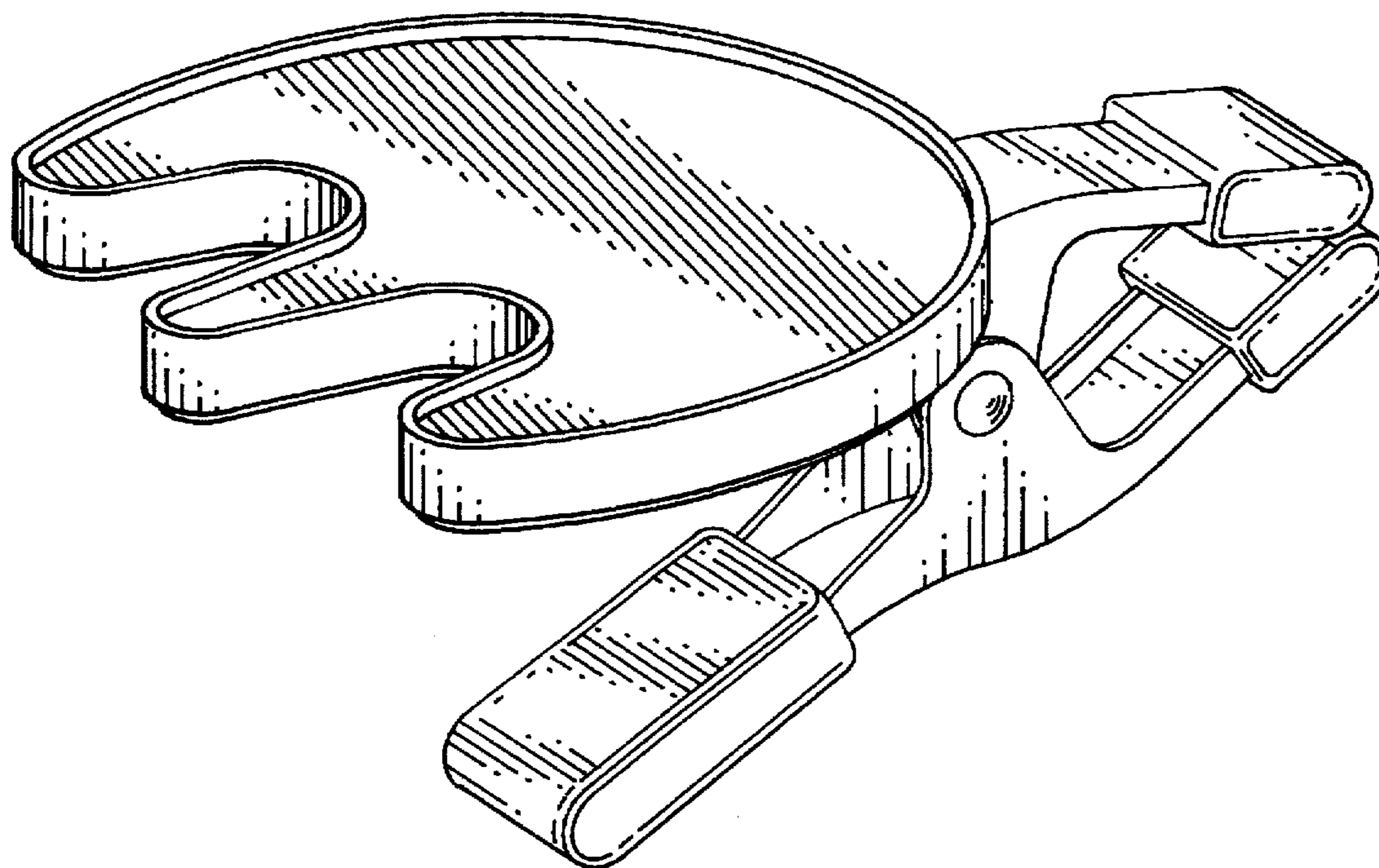
FIG. 1 is an isometric view showing my new design for a pool cue holder;
FIG. 2 is a front elevational view thereof;
FIG. 3 is a right side elevational view thereof;
FIG. 4 is a left side elevational view thereof;
FIG. 5 is a top plan view thereof;
FIG. 6 is a bottom view thereof; and,
FIG. 7 is a rear view thereof.

[56] References Cited

U.S. PATENT DOCUMENTS

D. 156,987	1/1950	Newton	D21/223	X
D. 279,309	6/1985	Rosen et al.	D21/234	
1,574,695	2/1926	Riley	.		
4,903,929	2/1990	Hoffman	248/229	

1 Claim, 2 Drawing Sheets



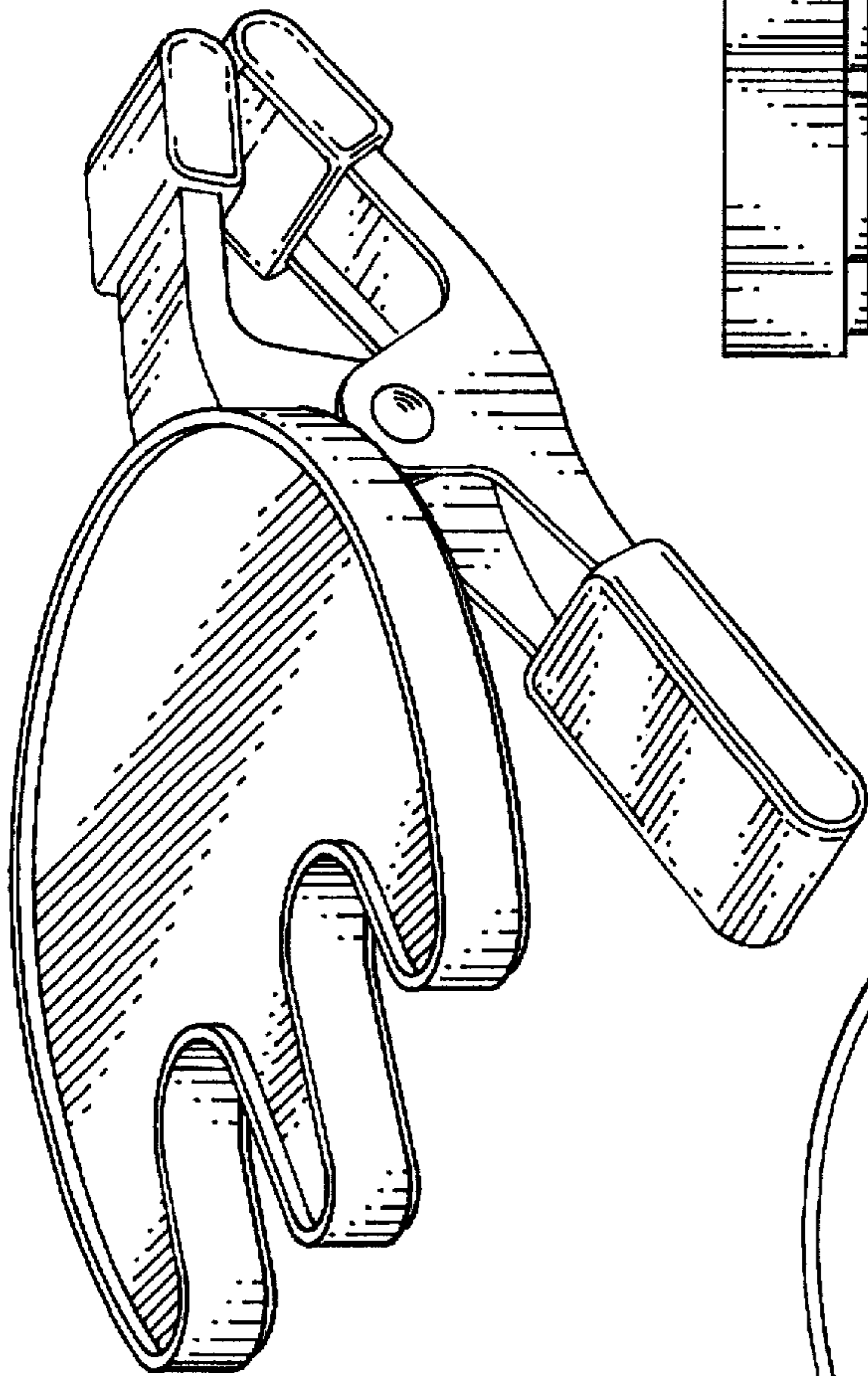


FIG. 1

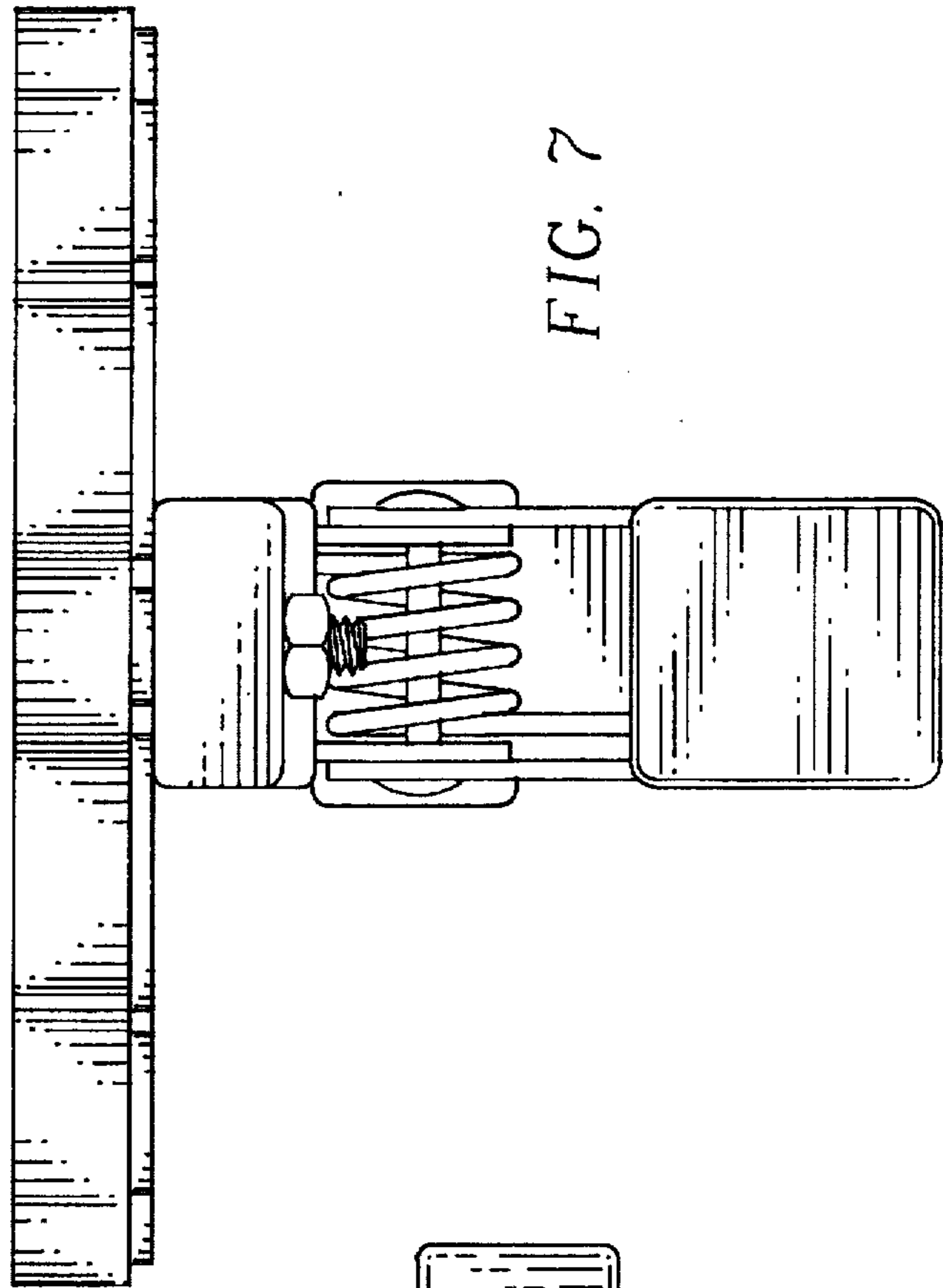


FIG. 7

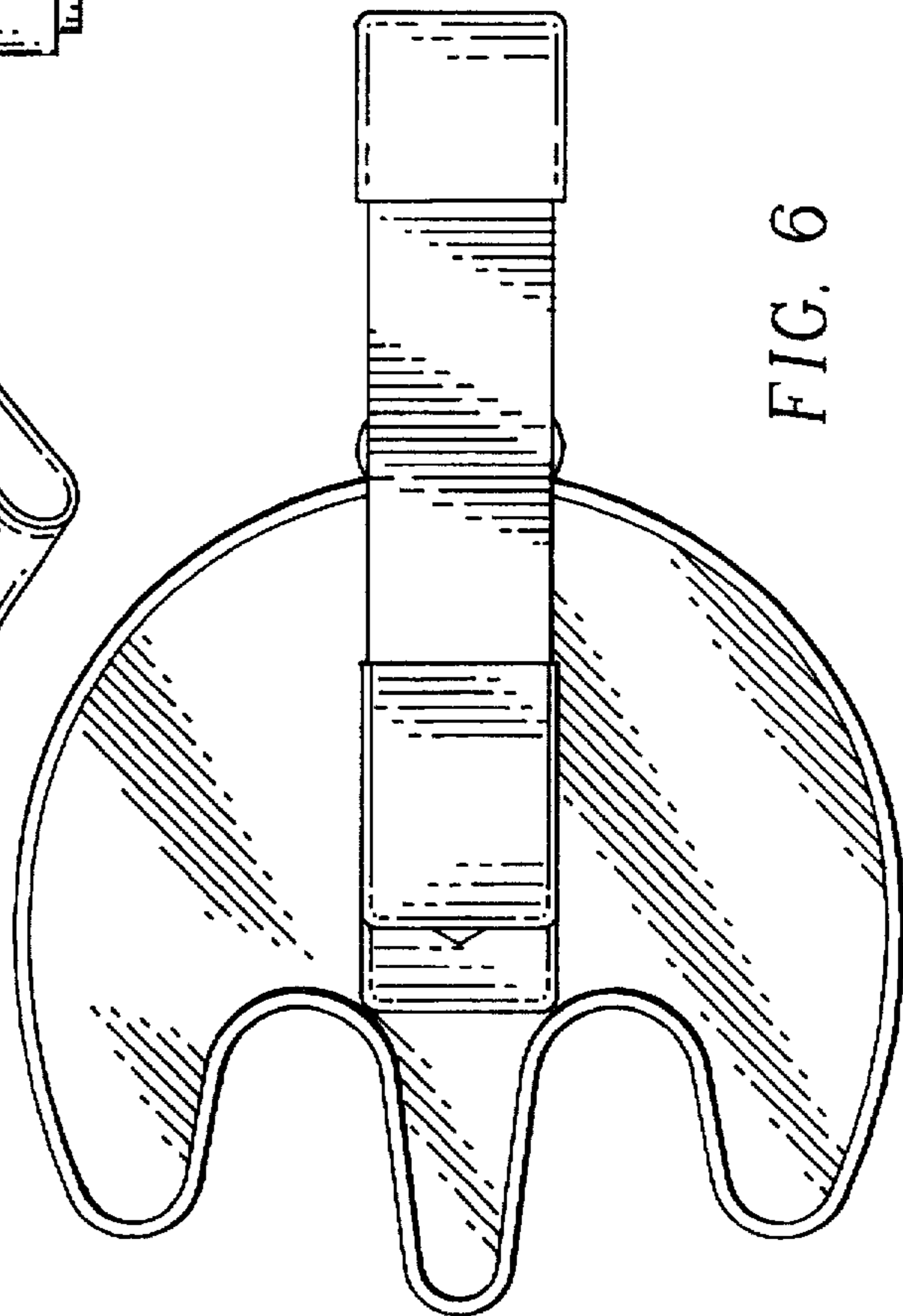


FIG. 6

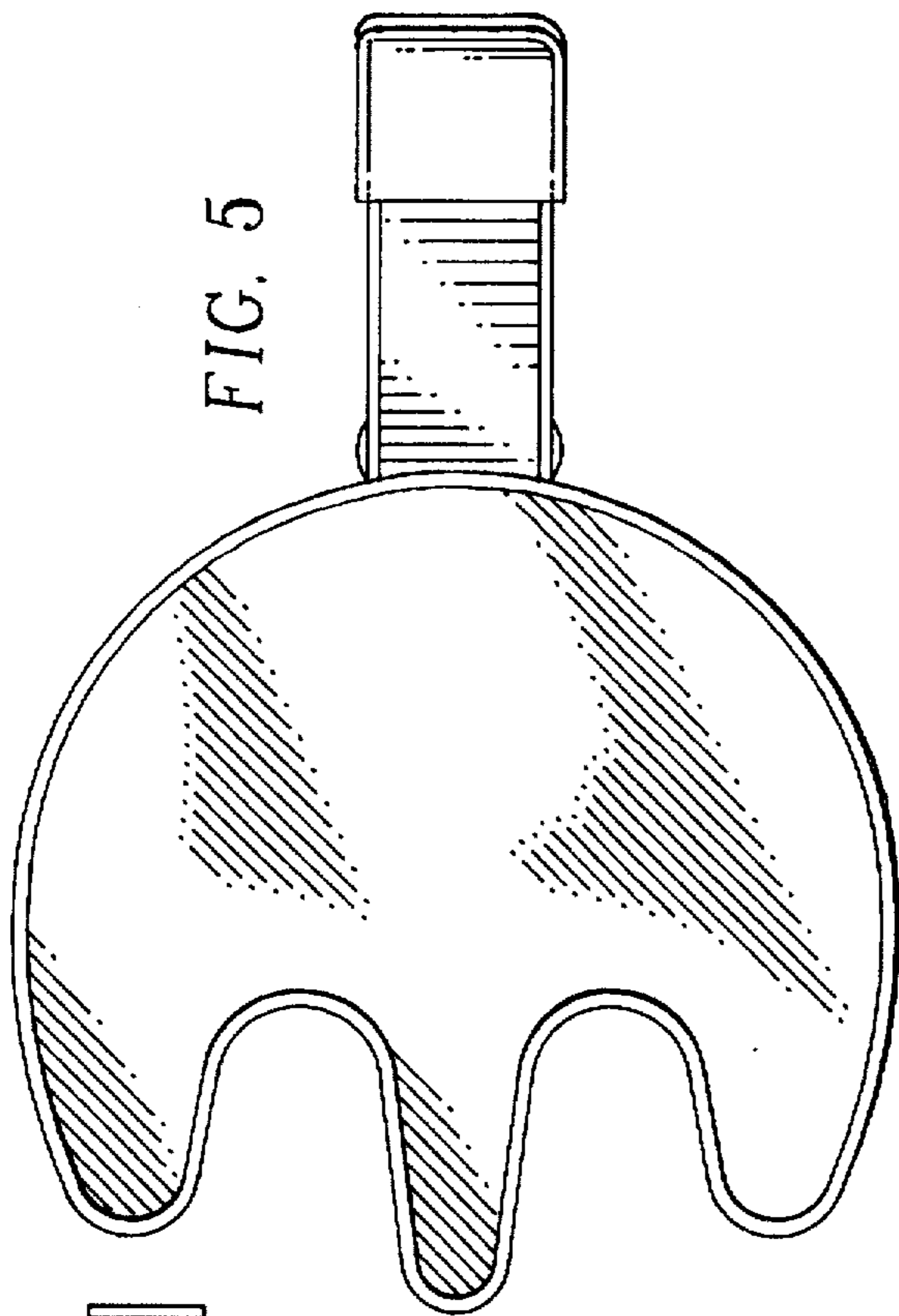


FIG. 5

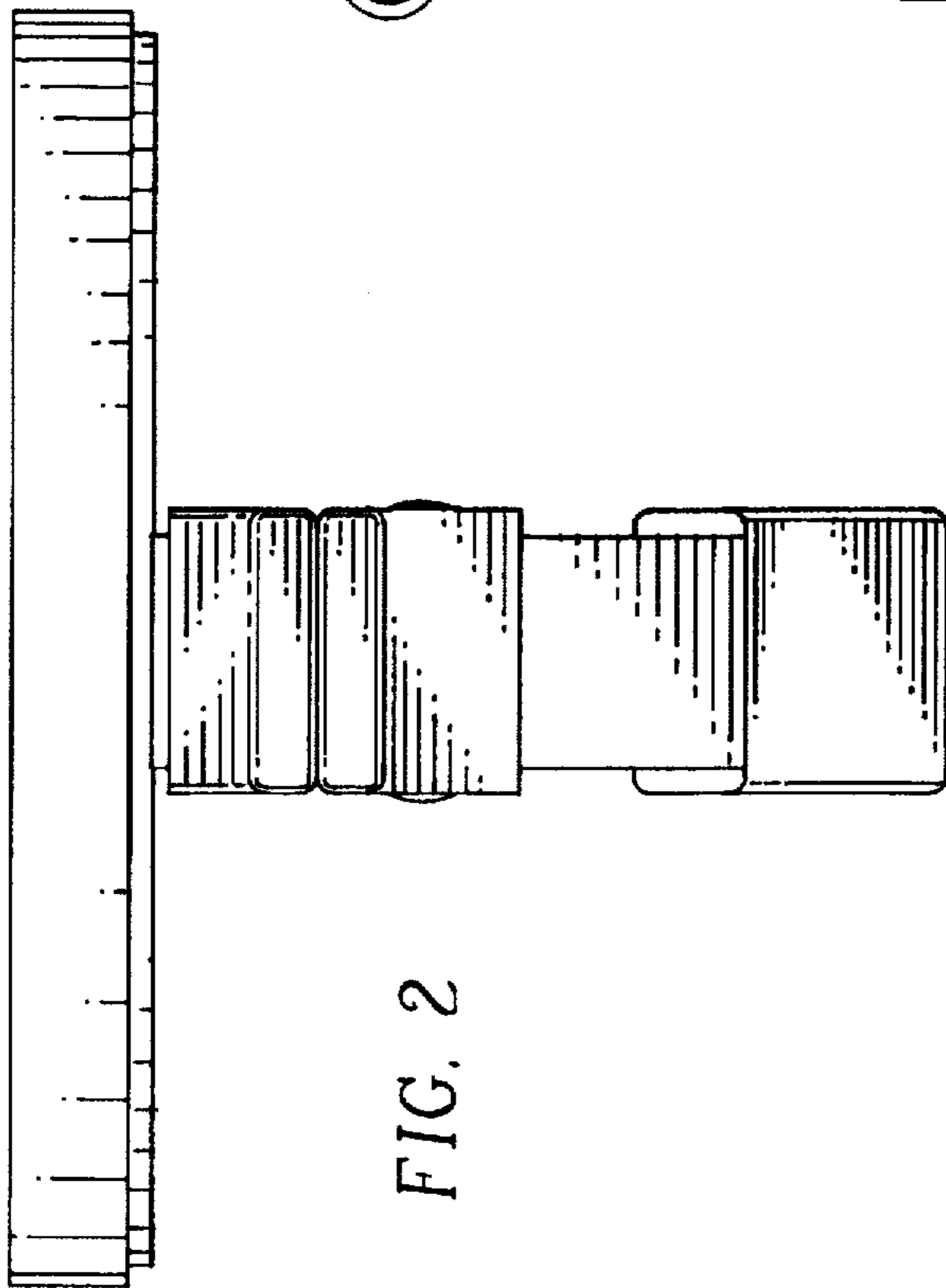


FIG. 2

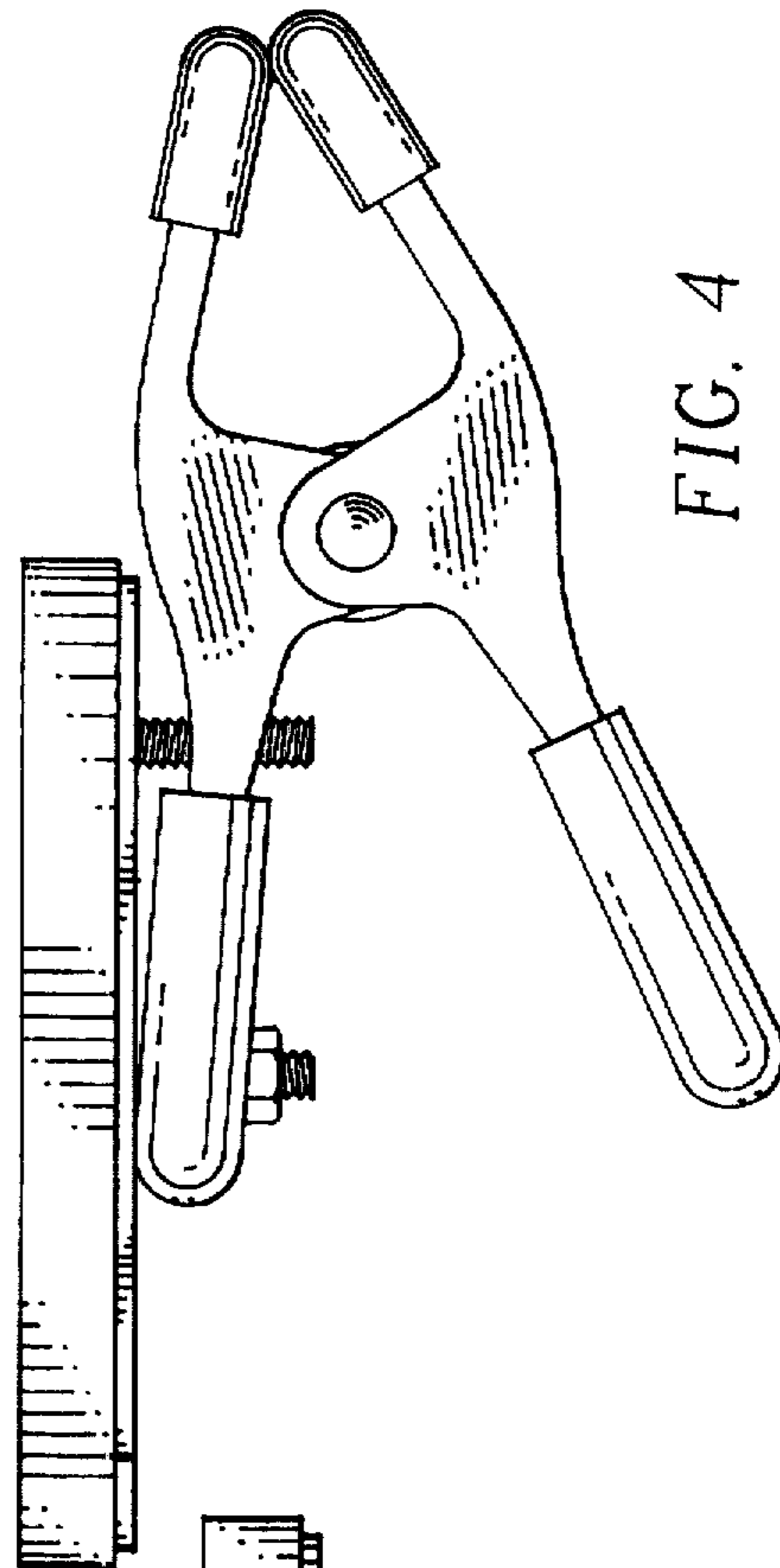


FIG. 4

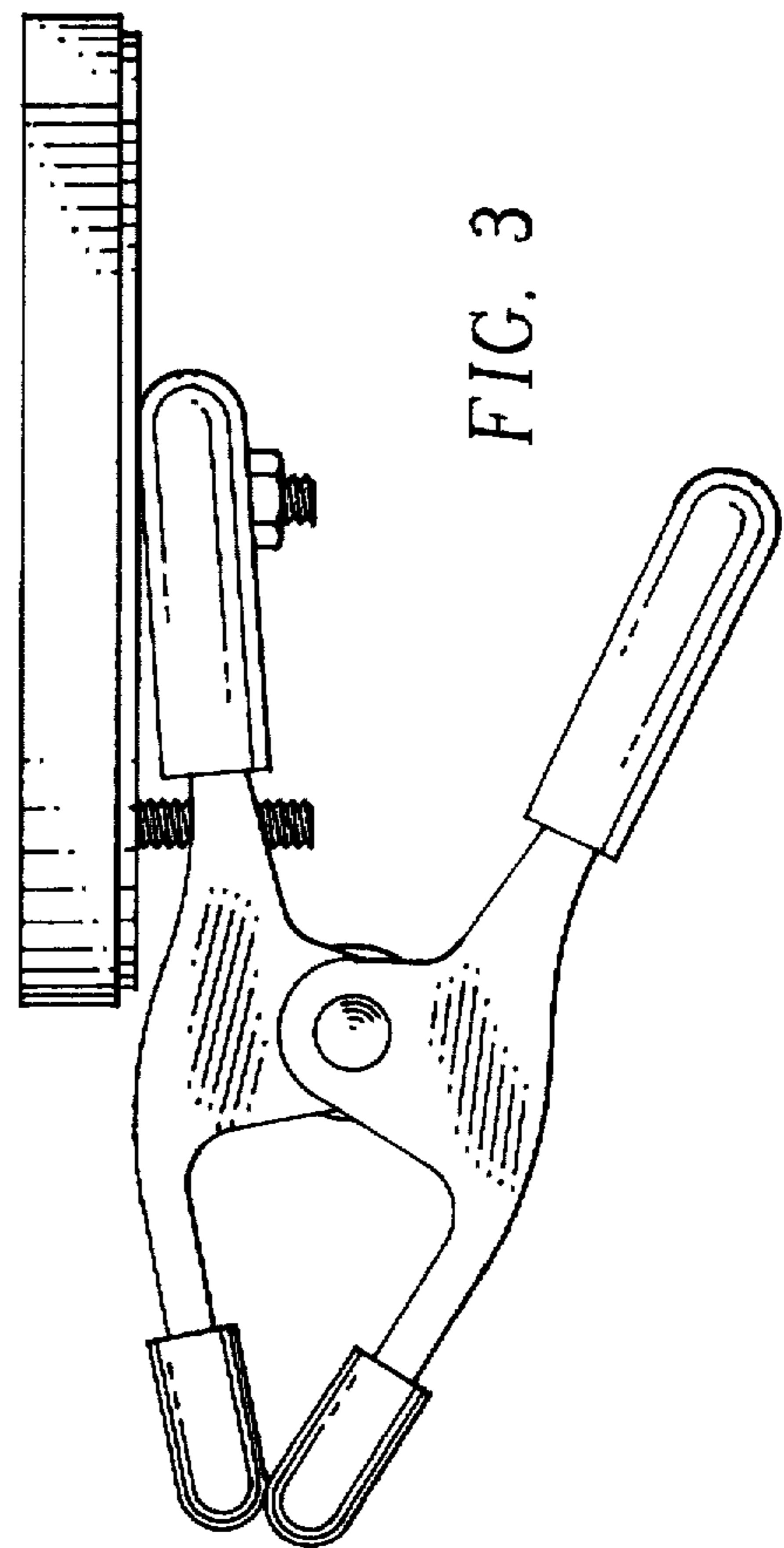


FIG. 3