



US00D387113S

# United States Patent [19]

[11] Patent Number: Des. 387,113

Burrows

[45] Date of Patent: \*\*Dec. 2, 1997

## [54] IRON-TYPE HEAD FOR A GOLF CLUB

[76] Inventor: **Bruce D. Burrows**, 24844 Anza Dr.,  
Valencia, Calif. 91355

[\*\*] Term: **14 Years**

[21] Appl. No.: **63,091**

[22] Filed: **Nov. 26, 1996**

[51] LOC (6) Cl. .... **21-02**

[52] U.S. Cl. .... **D21/220**

[58] Field of Search ..... **D21/220; 473/324,**  
**473/327, 328, 350**

### [56] References Cited

#### U.S. PATENT DOCUMENTS

D. 318,703	7/1991	Shearer .
D. 328,322	7/1992	Antonious .
D. 336,758	6/1993	Jossey .
D. 348,091	6/1994	Allen .
D. 353,644	12/1994	Hirsch et al. .
D. 359,539	6/1995	Allen .
D. 364,434	11/1995	McGraw et al. .
D. 365,616	12/1995	Lee .
572,436	12/1896	Mills .
3,814,437	6/1974	Winqvist .
4,826,172	5/1989	Antonious .
4,915,386	4/1990	Antonious .
4,919,430	4/1990	Antonious .
5,014,993	5/1991	Antonious .
5,048,834	9/1991	Gorman .
5,074,563	12/1991	Gorman .
5,242,167	9/1993	Antonious .
5,328,184	7/1994	Antonious .
5,377,985	1/1995	Ohnishi .
5,407,202	4/1995	Igarashi .
5,425,535	6/1995	Gee .
5,522,593	6/1996	Kobayashi et al. .
5,536,011	7/1996	Gutowski .
5,540,436	7/1996	Boone .
5,547,194	8/1996	Aizawa et al. .

#### OTHER PUBLICATIONS

Golf World; p. 83; Slazenger iron, left of page, Apr. 1988.  
Golf Digest; p. 14; Club House iron, top left of page, Mar. 1978.

Primary Examiner—Raphael Barkai

Assistant Examiner—Mitchell I. Siegel

Attorney, Agent, or Firm—Kelly Bauersfeld Lowry & Kelley, LLP.

### [57] CLAIM

The ornamental design for a iron-type head for a golf club, as shown and described.

### DESCRIPTION

FIG. 1 is a perspective view showing the rear, top and right sides of an iron-type head for a golf club embodying the new design, the dotted line depiction of a club shaft being for illustrative purposes only;

FIG. 2 is a rear elevational view thereof;

FIG. 3 is a front elevational view thereof;

FIG. 4 is a top plan view thereof;

FIG. 5 is a bottom plan view thereof;

FIG. 6 is a right side elevational view thereof;

FIG. 7 is a left side elevational view thereof;

FIG. 8 is a sectional view taken on the line 8—8 of FIG. 2; FIG. 9 is an enlarged fragmented sectional view taken on the line 9—9 of FIG. 2;

FIG. 10 is a perspective view showing the rear, top and right sides of an alternative form of my new design, the front, right and left side elevational views and the top plan view being identical to the embodiment of FIGS. 1-7;

FIG. 11 is a rear elevational view of the embodiment of FIG. 10;

FIG. 12 is a bottom plan view of the embodiment of FIG. 10;

FIG. 13 is a sectional view taken on the line 13—13 of FIG. 11;

FIG. 14 is an enlarged fragmented sectional view taken on the line 14—14 of FIG. 11;

FIG. 15 is a perspective view showing the rear, top and right sides of a further alternative form of my new design, the front, right, and left side elevational views and the top plan view being identical to the embodiment of FIG. 1-7;

FIG. 16 is a rear elevational view of the embodiment of FIG. 15;

FIG. 17 is a bottom plan view of the embodiment of FIG. 15;

FIG. 18 is a sectional view taken on the line 18—18 of FIG. 16; and,

FIG. 19 is an enlarged fragmented sectional view taken on the line 19—19 of FIG. 16.

1 Claim, 8 Drawing Sheets

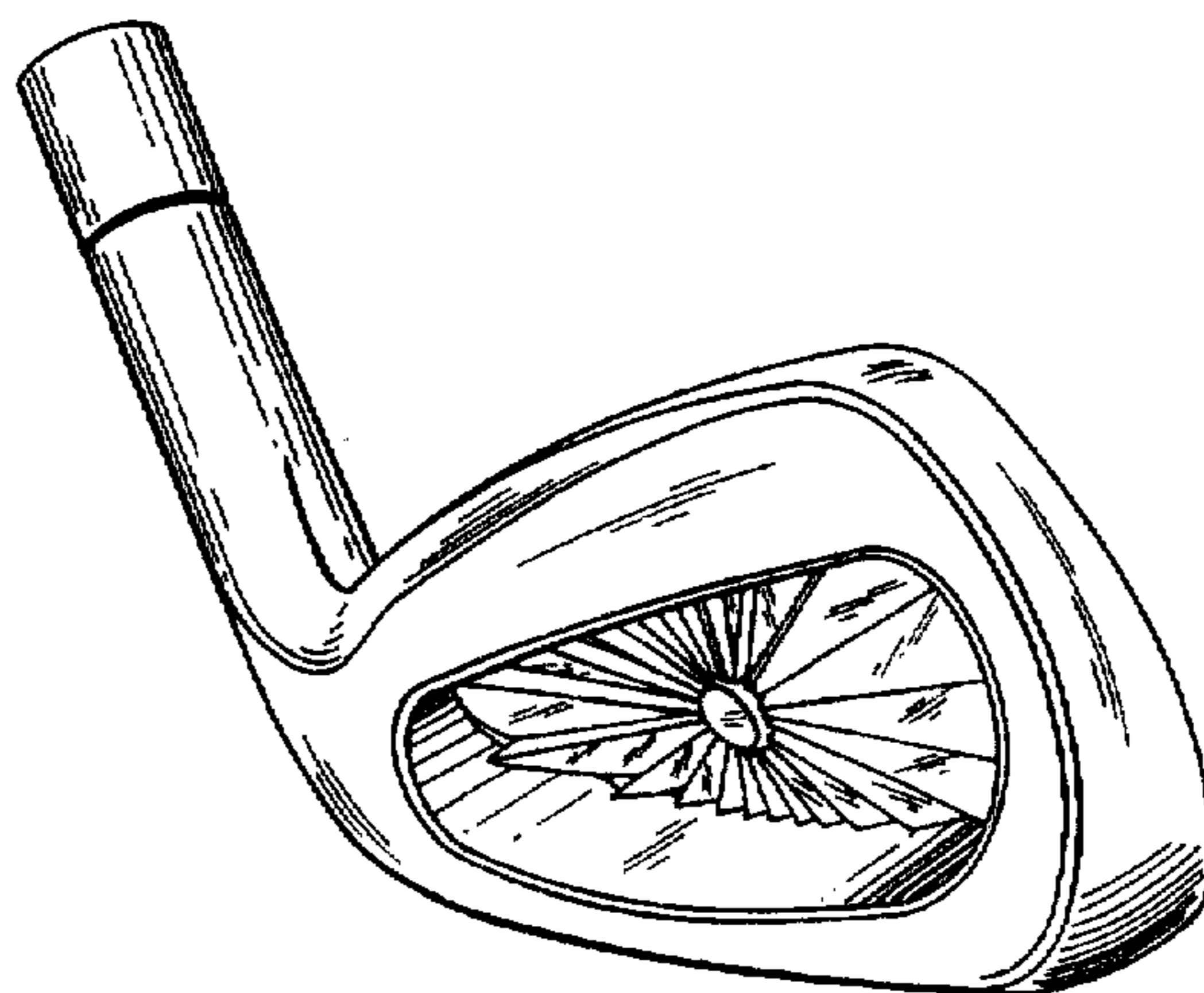


FIG. 1

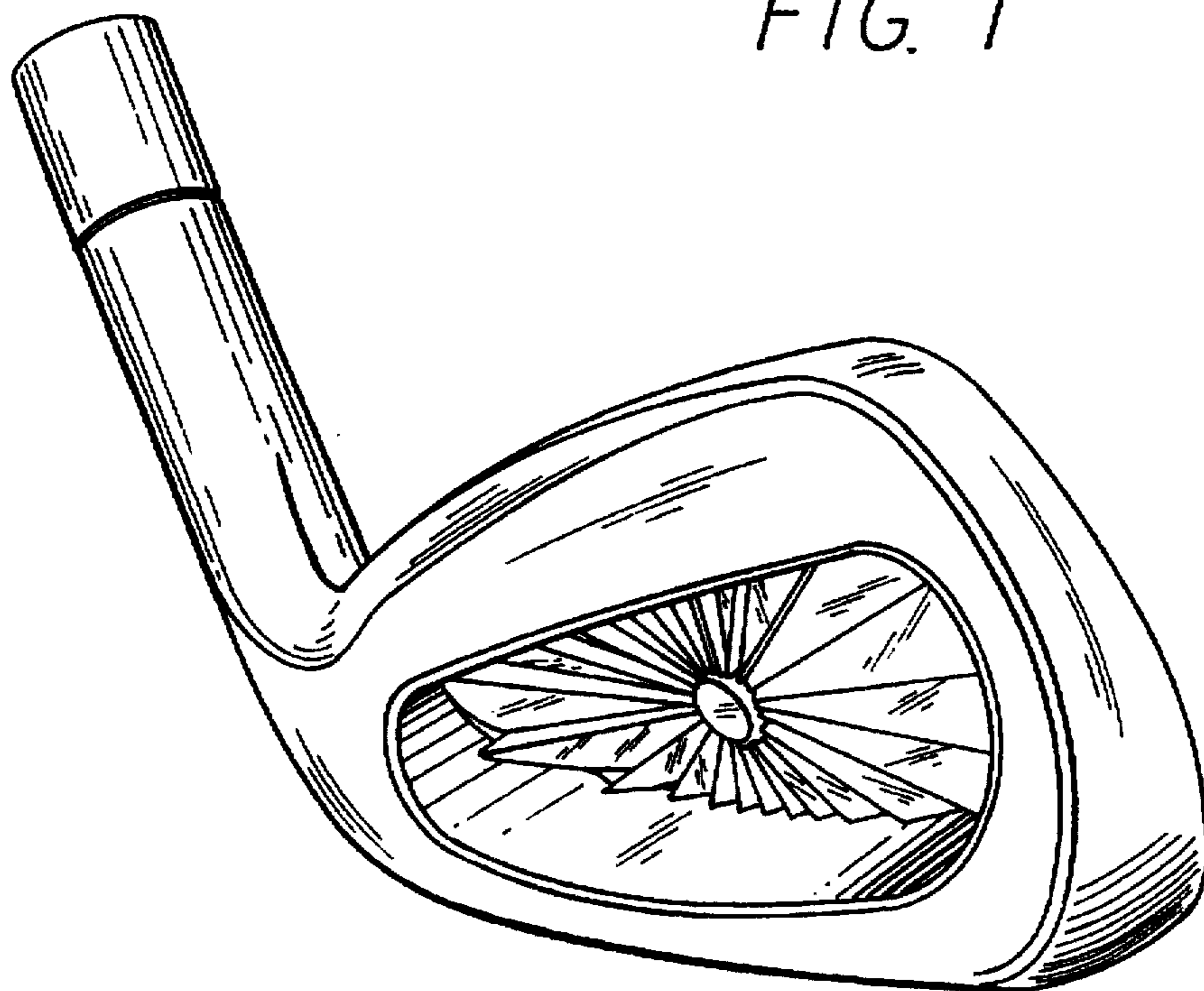


FIG. 2

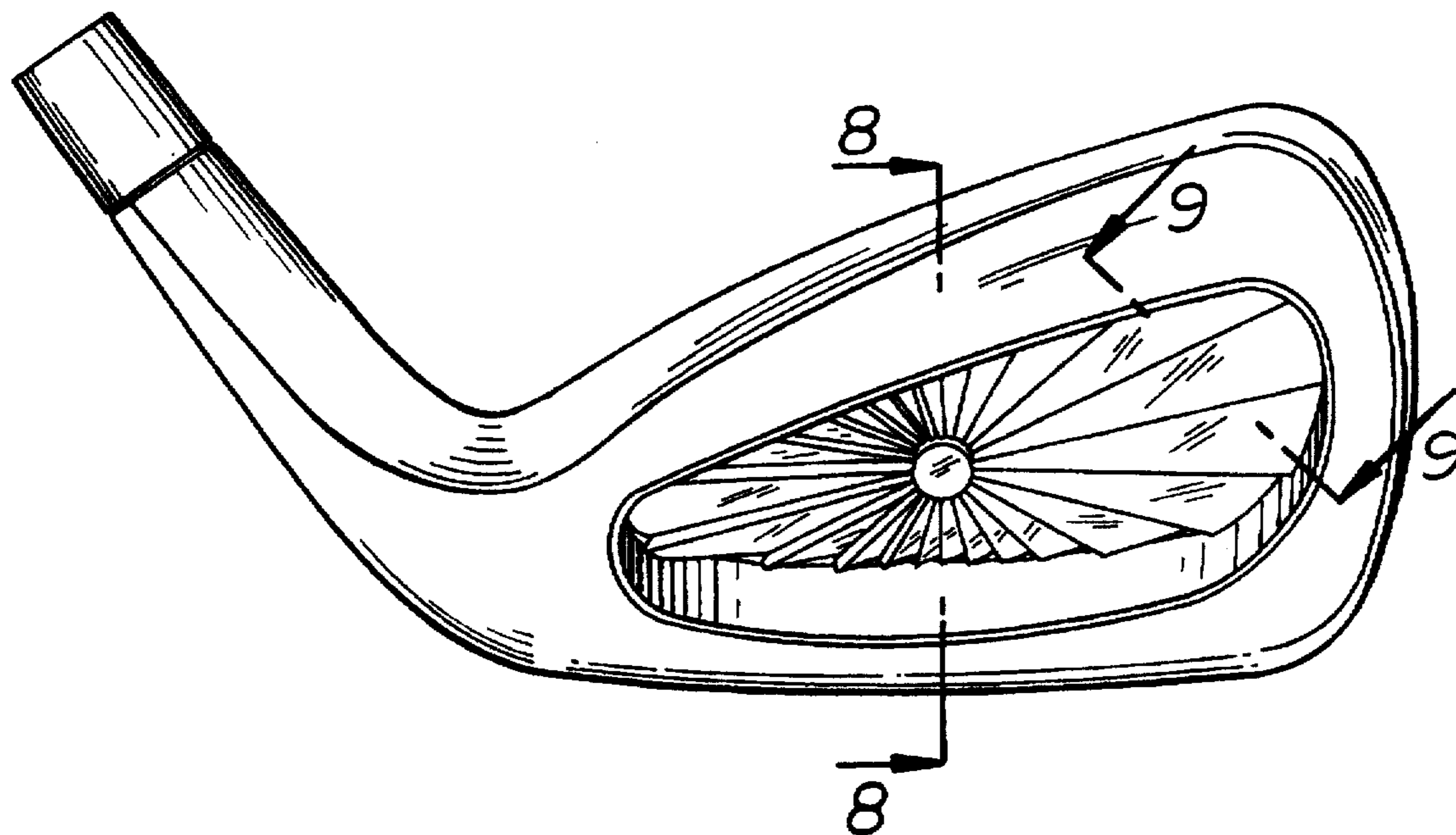


FIG. 3

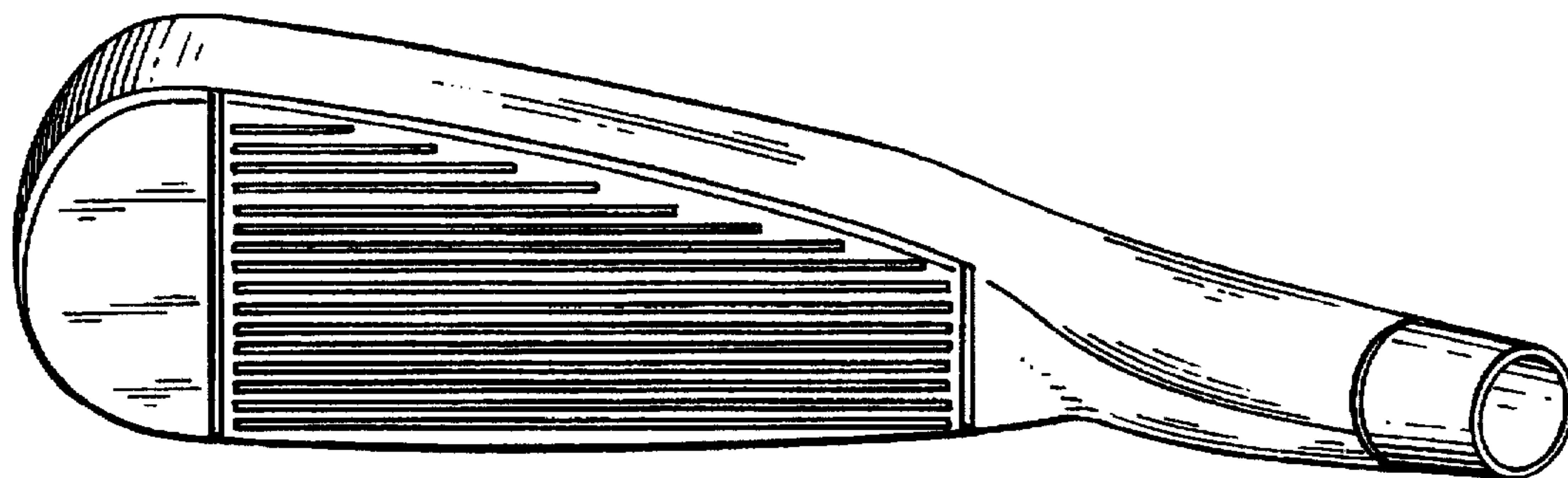
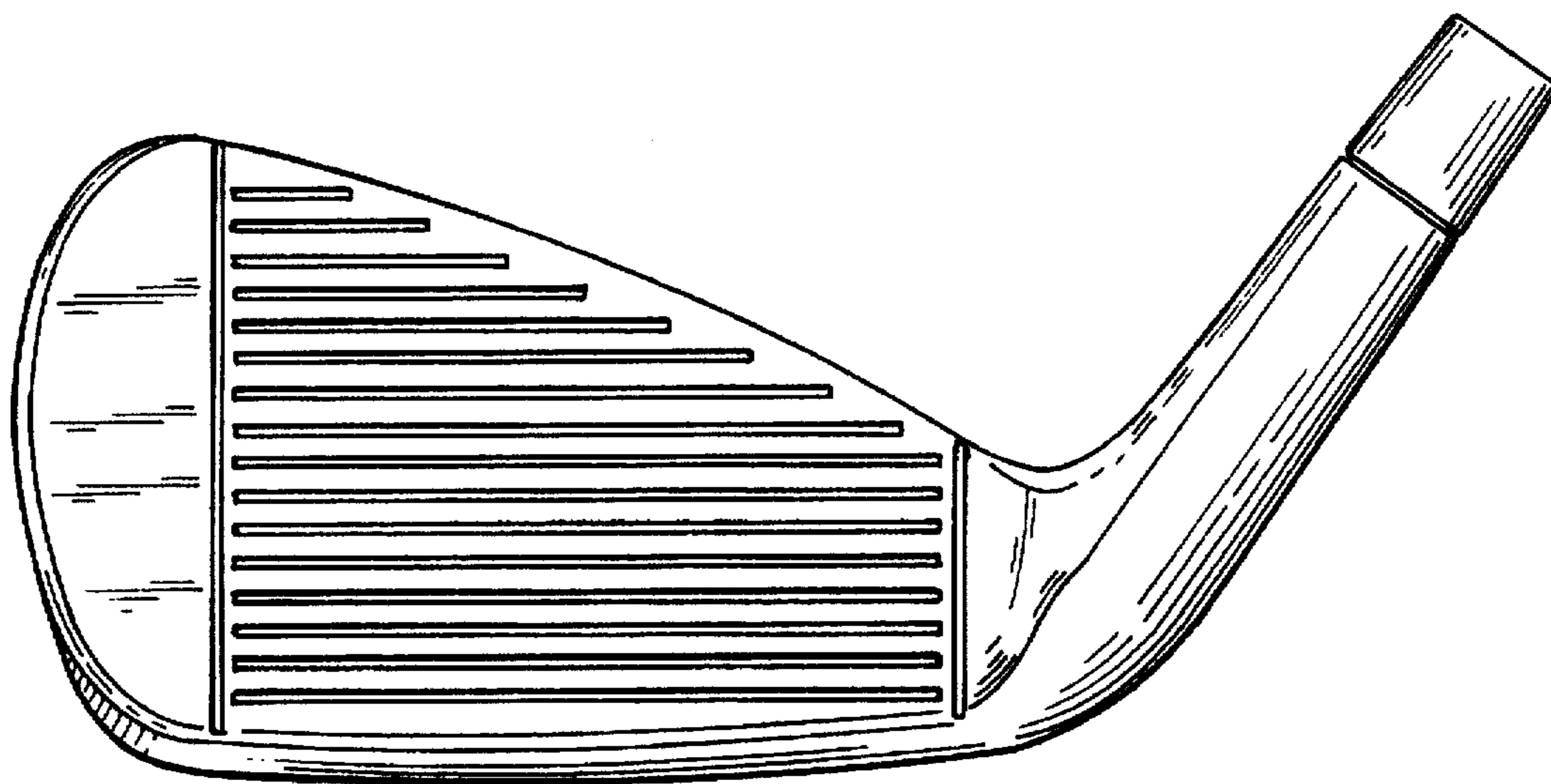


FIG. 4

FIG. 5

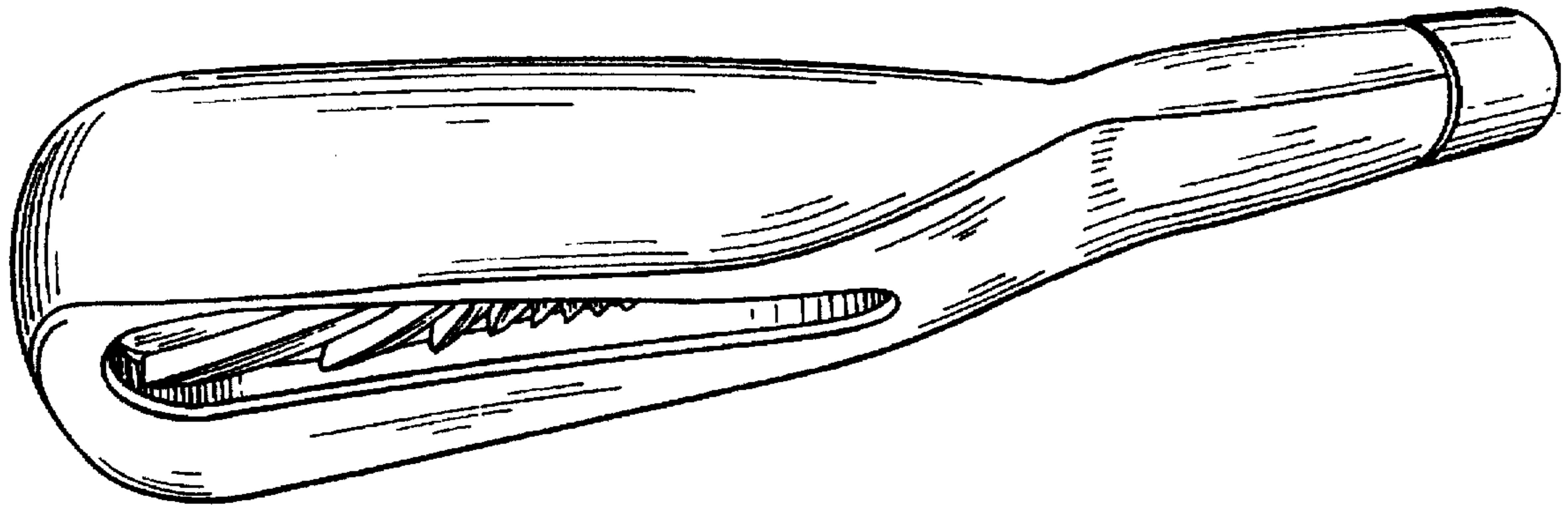


FIG. 6

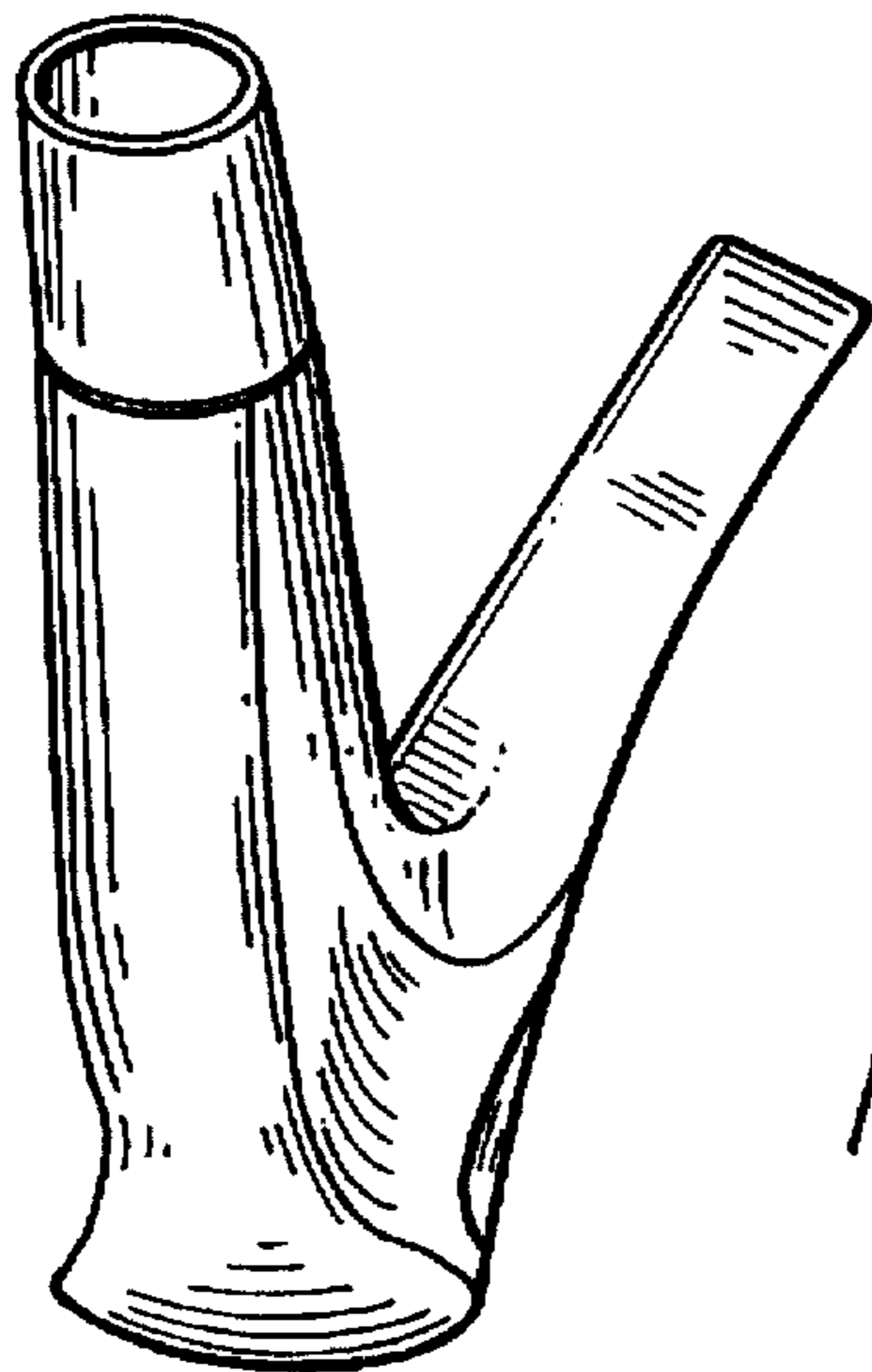
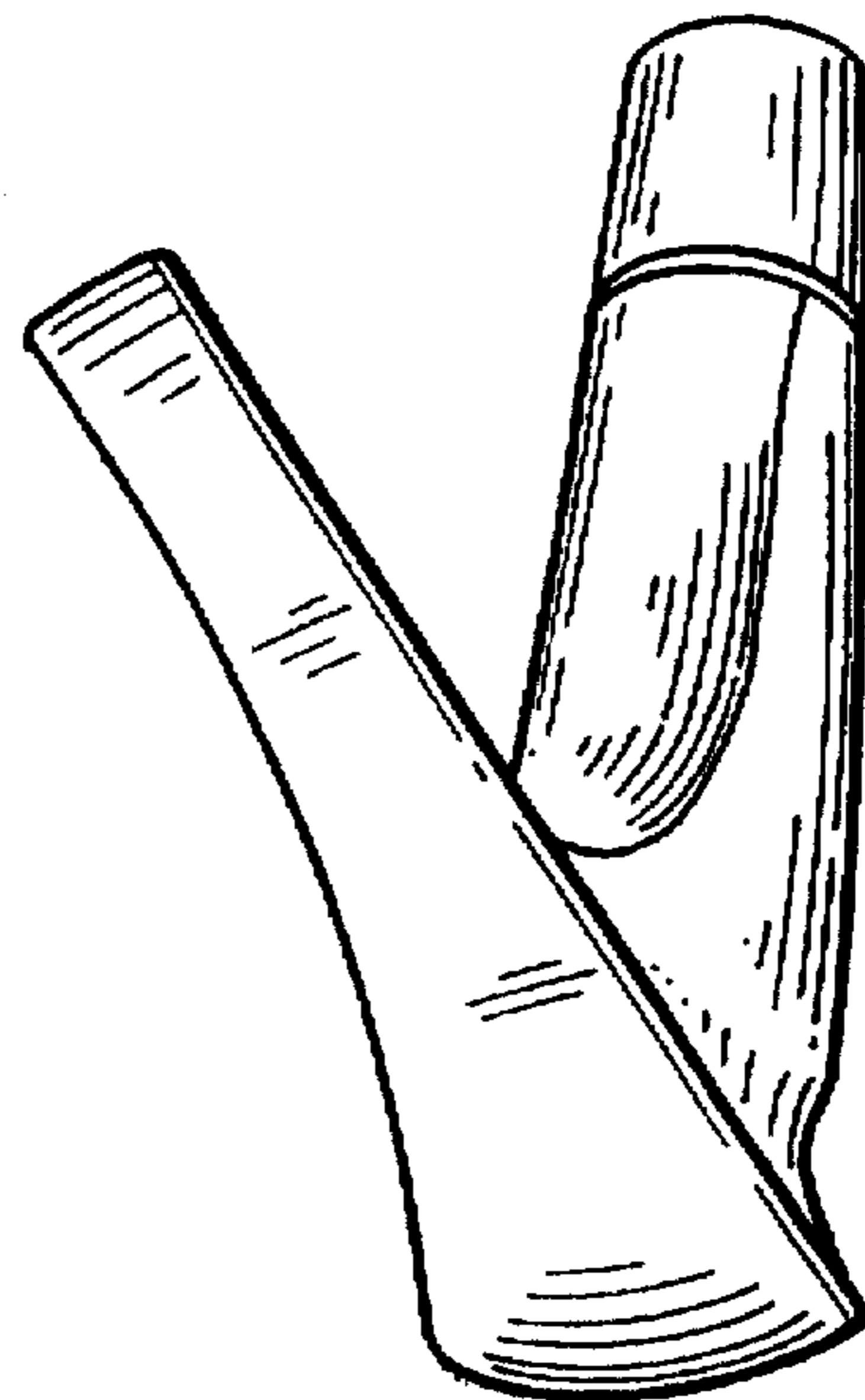


FIG. 7

FIG. 8

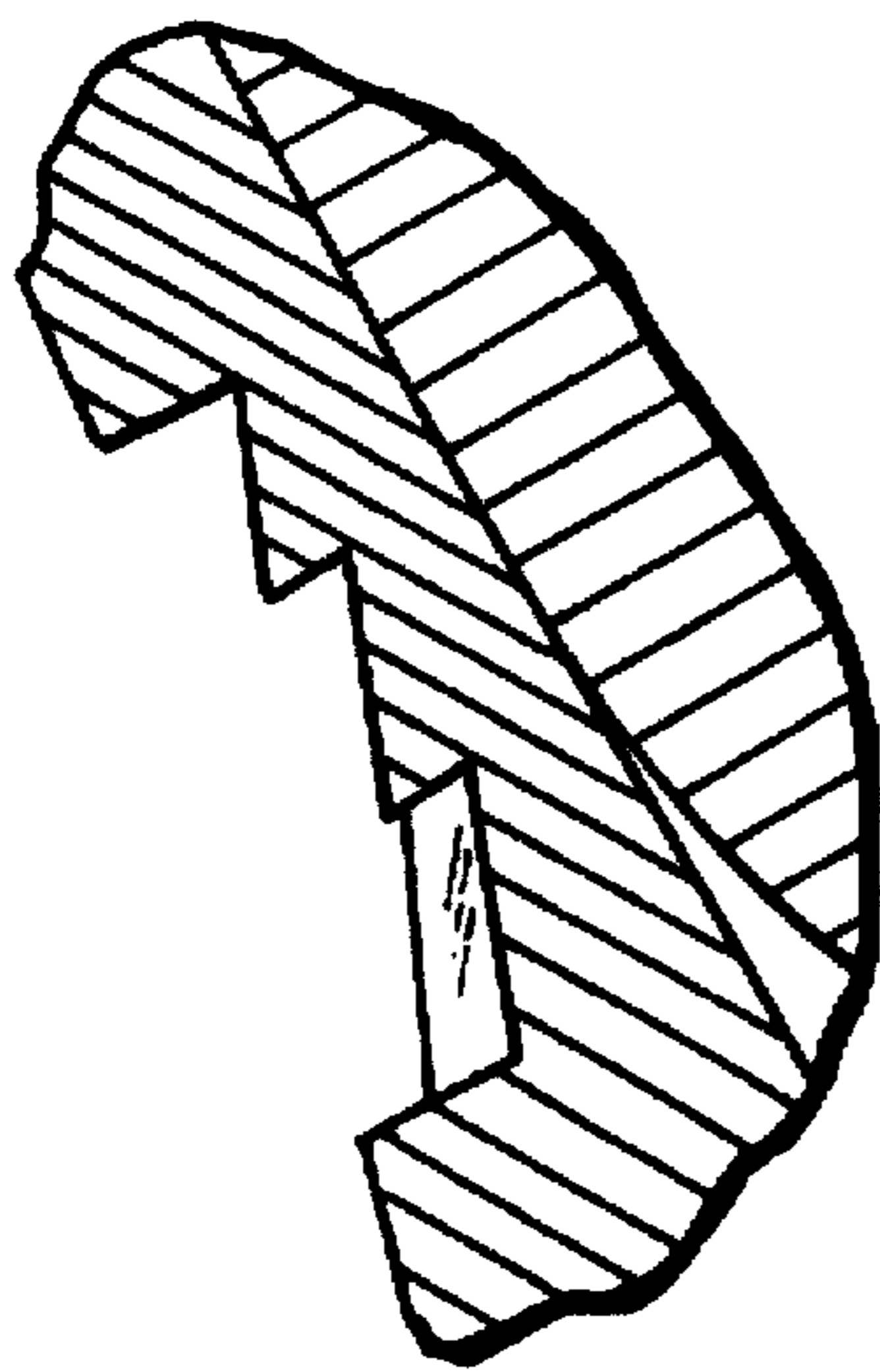
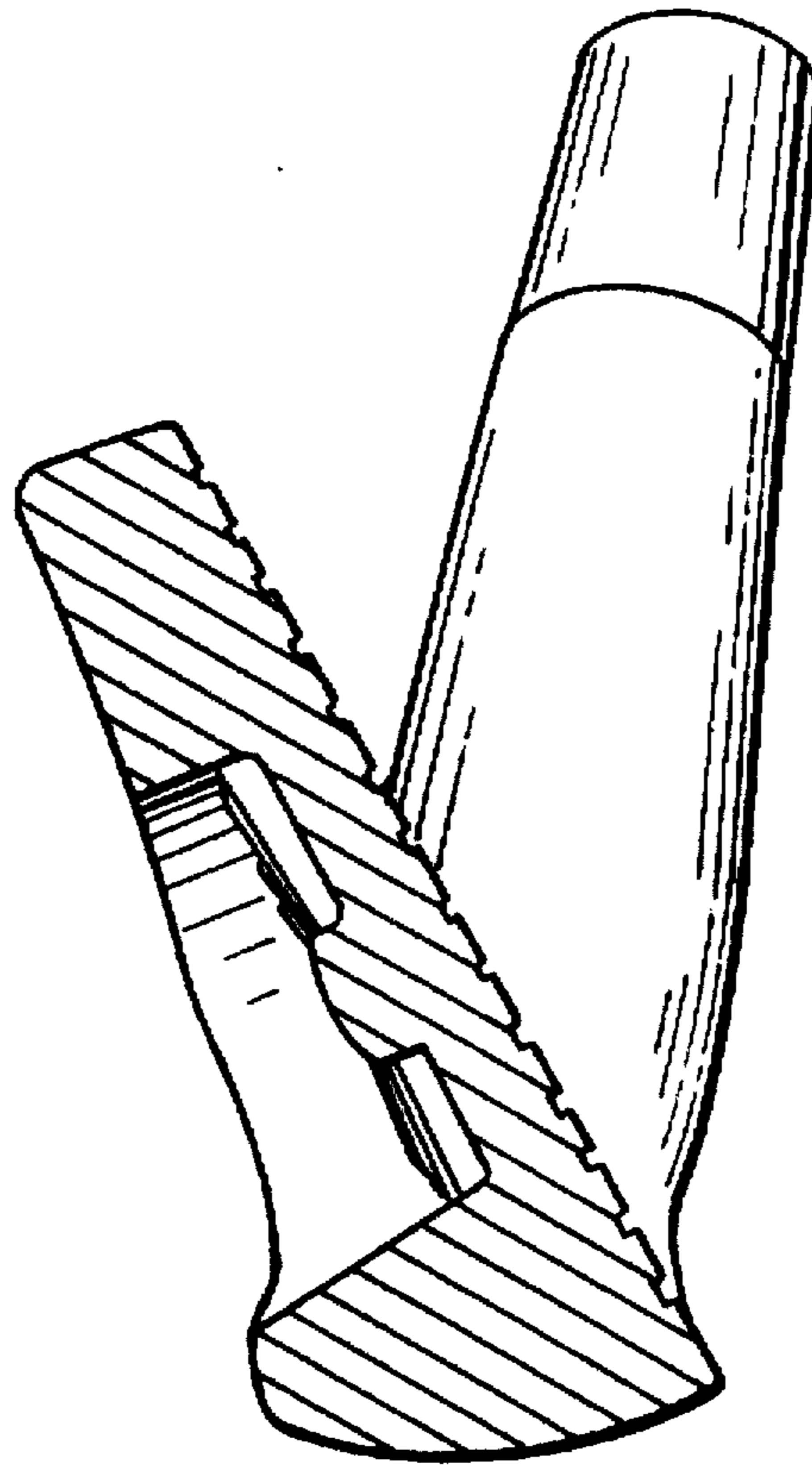


FIG. 9

FIG. 10

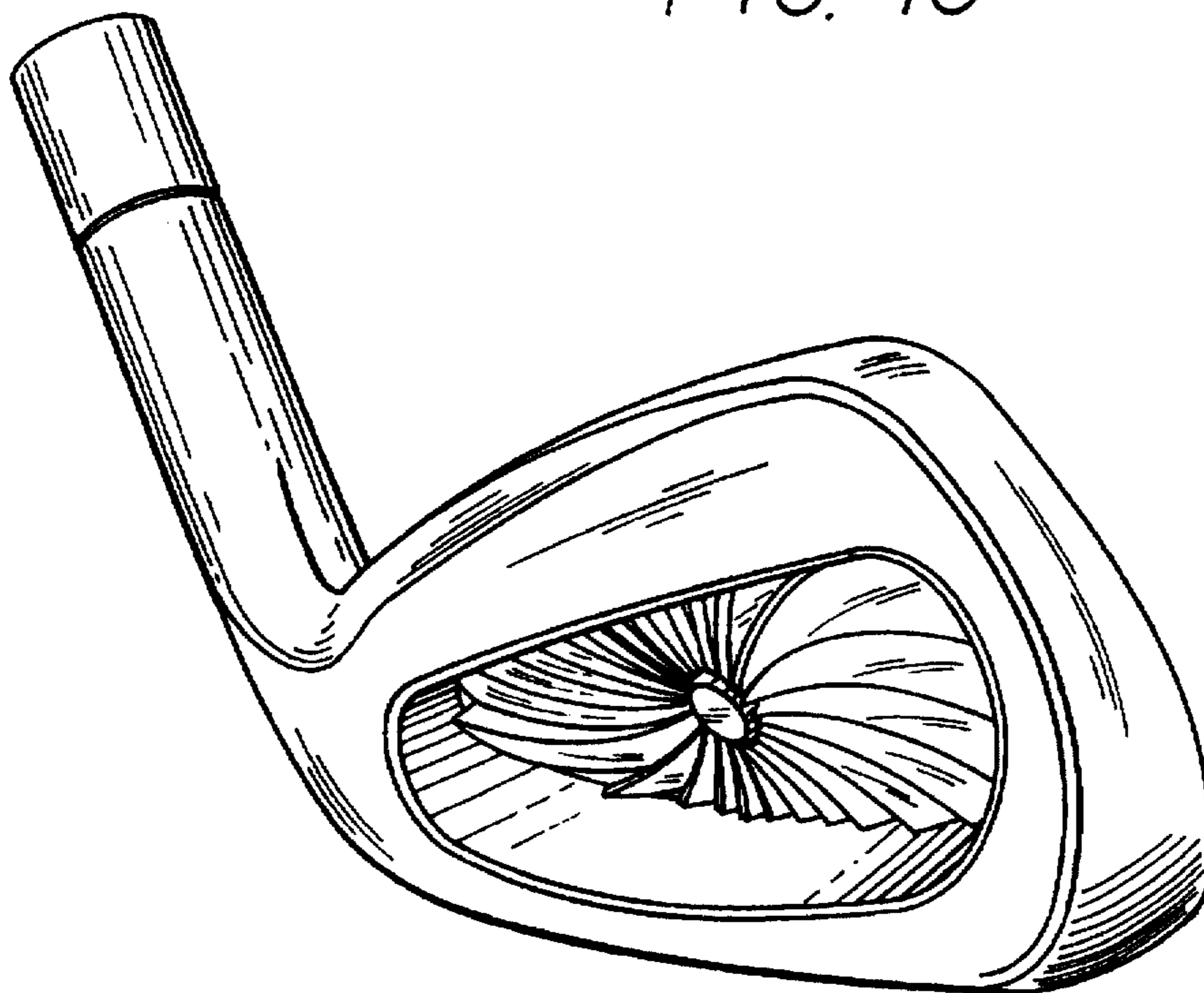


FIG. 11

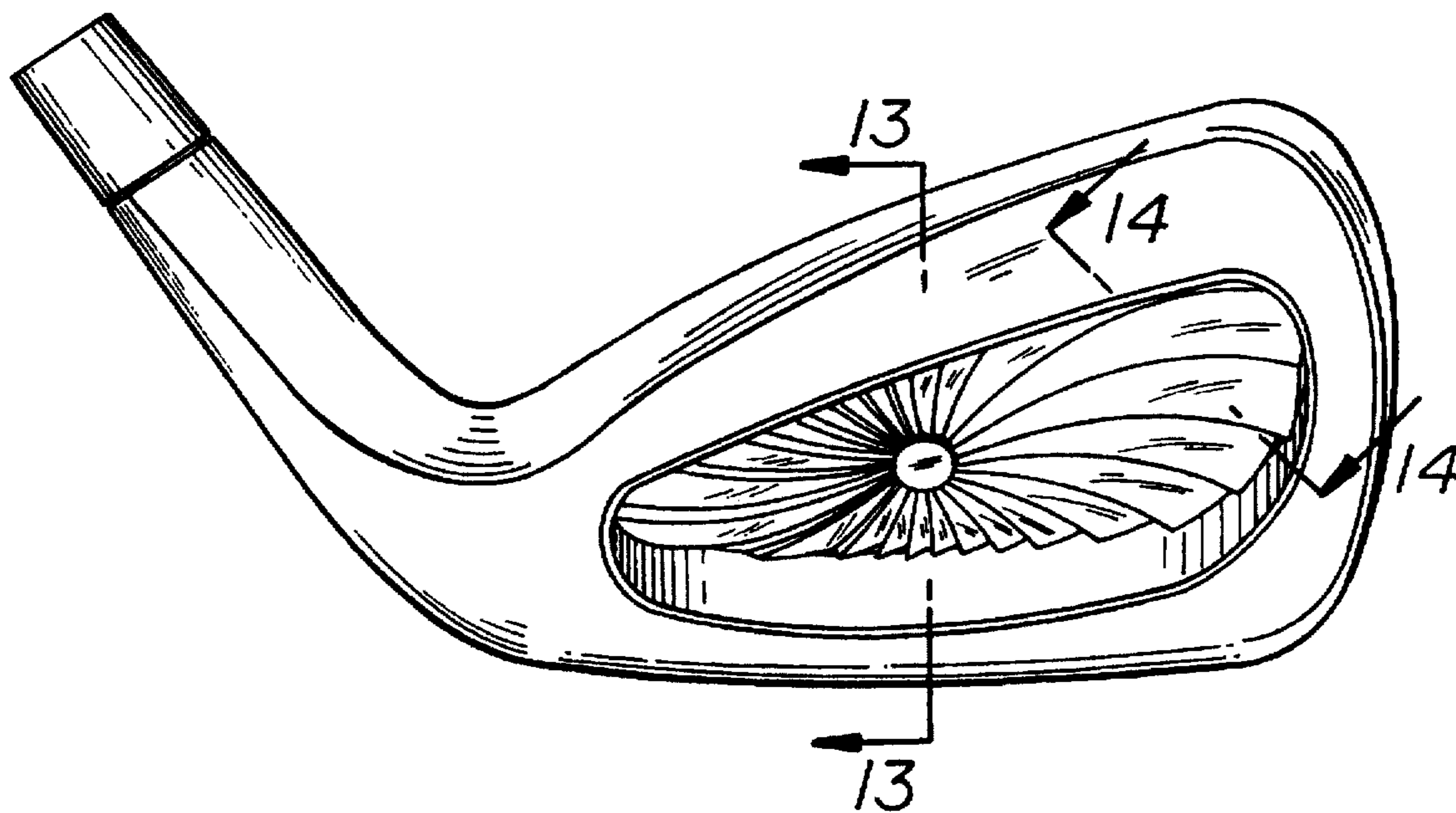


FIG. 12

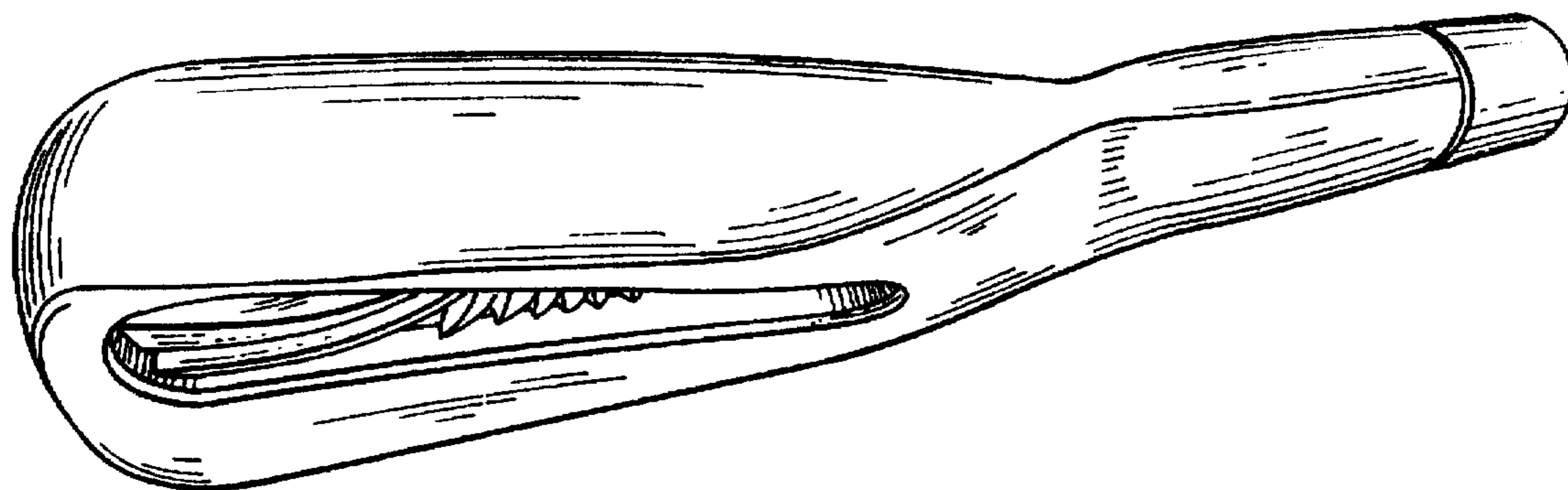


FIG. 13

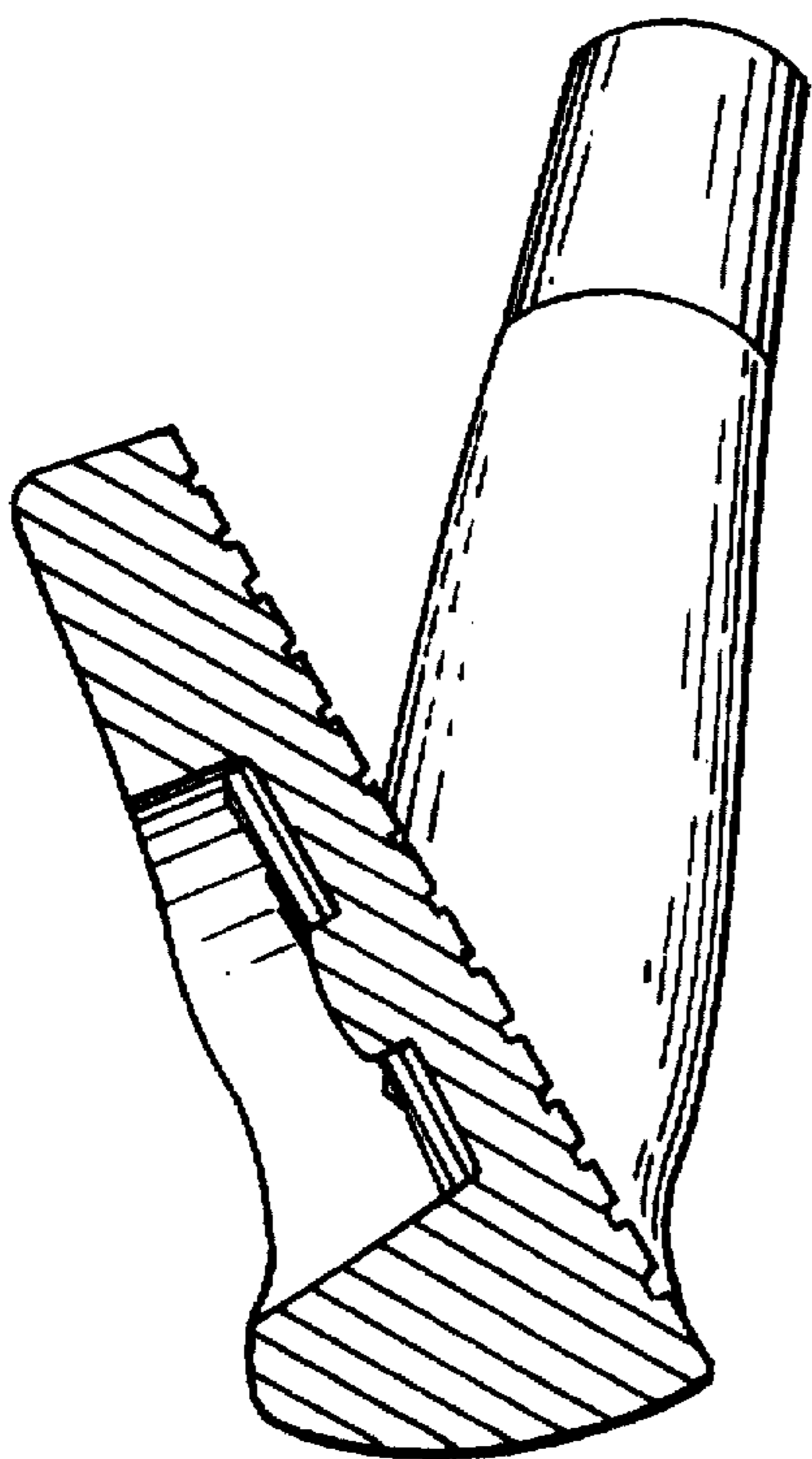


FIG. 14

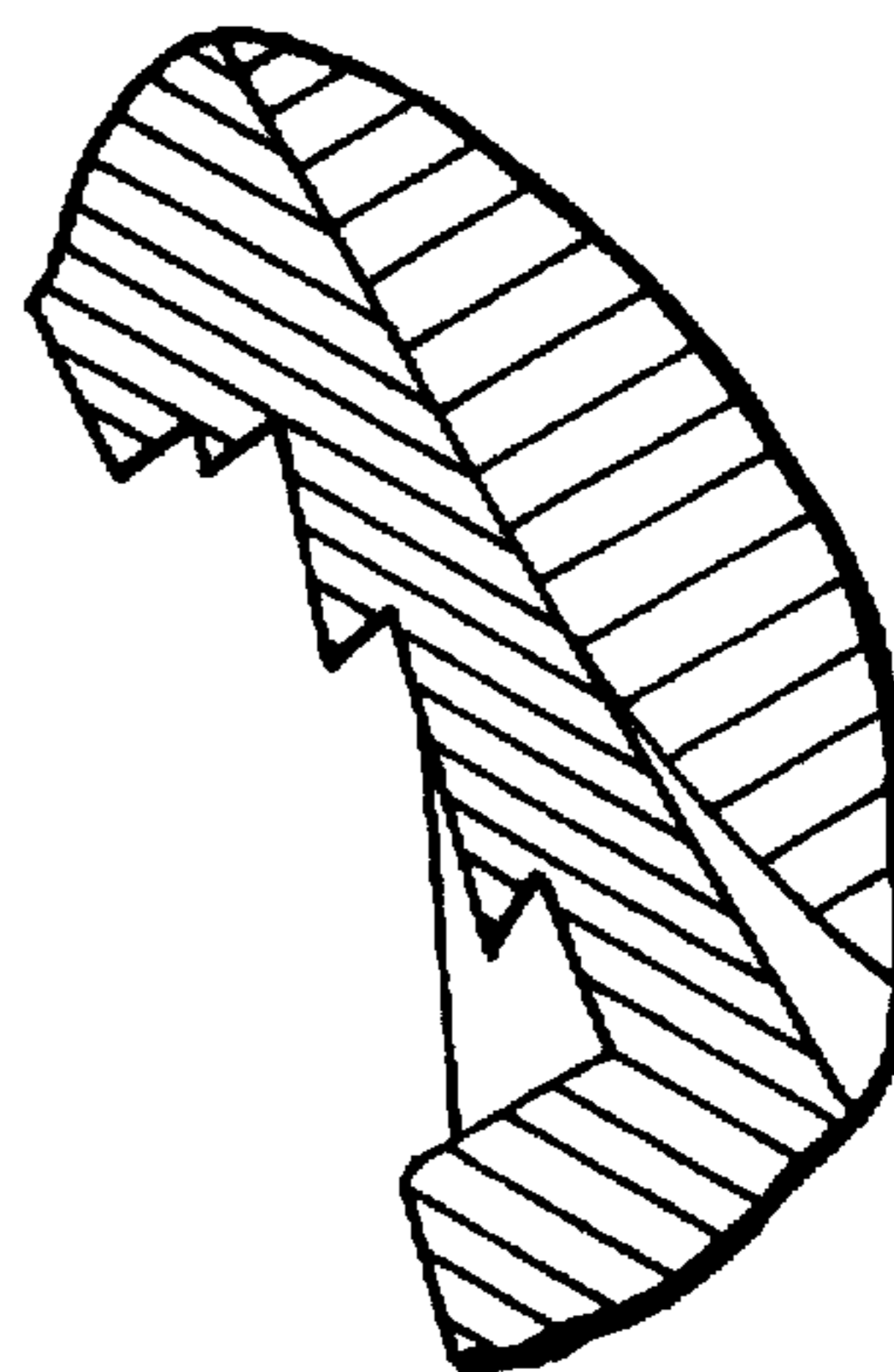


FIG. 15

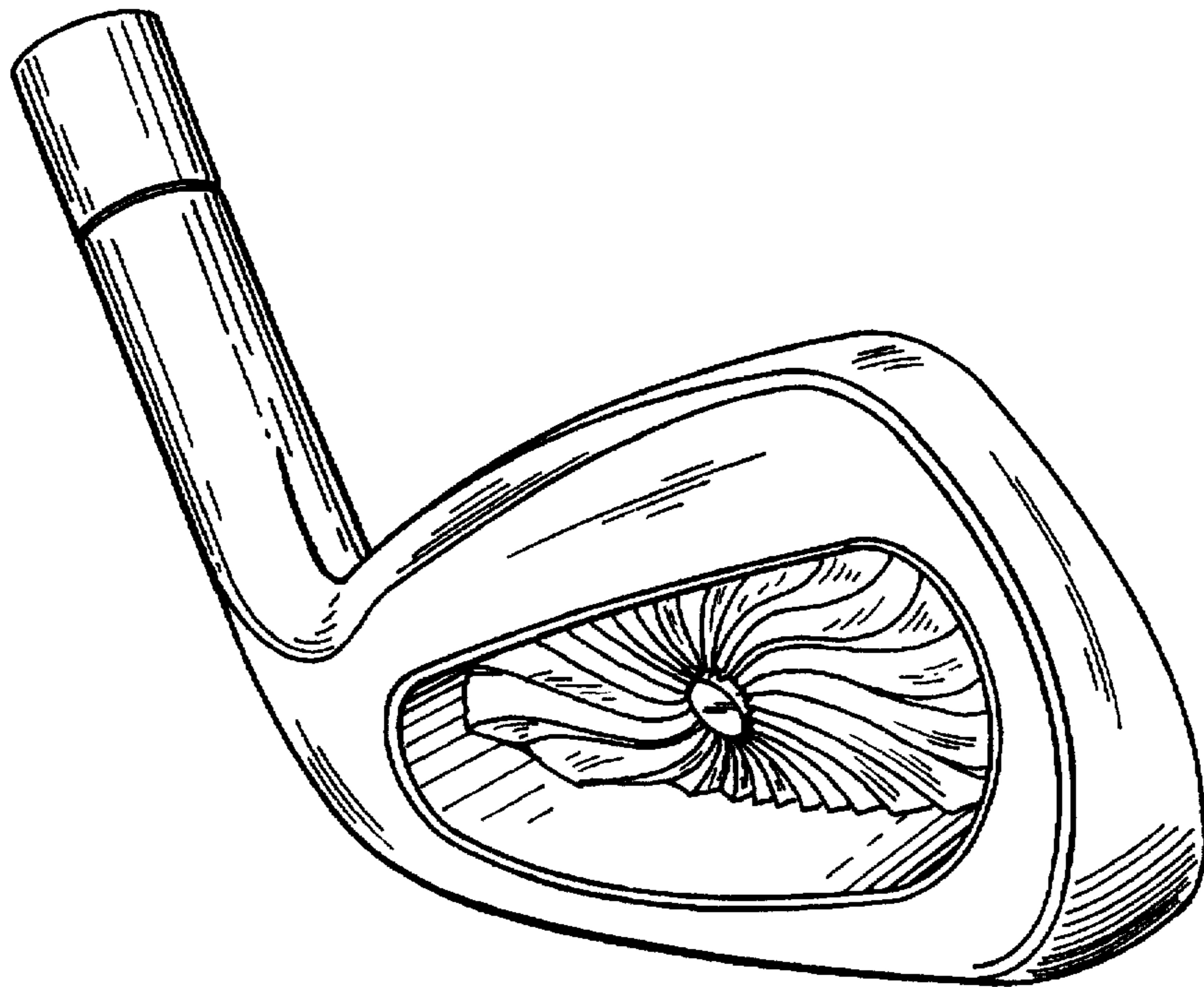


FIG. 16

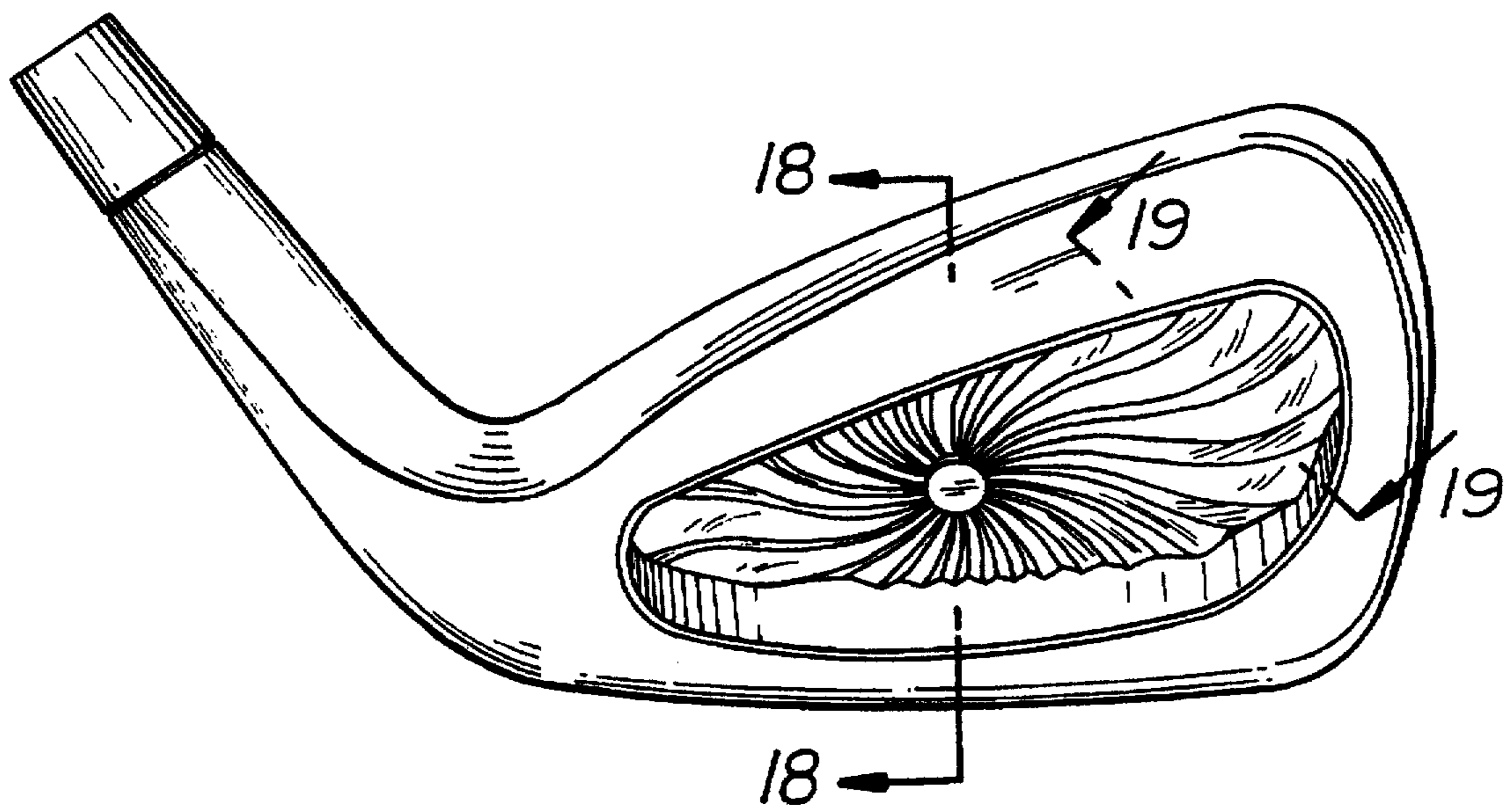




FIG. 17

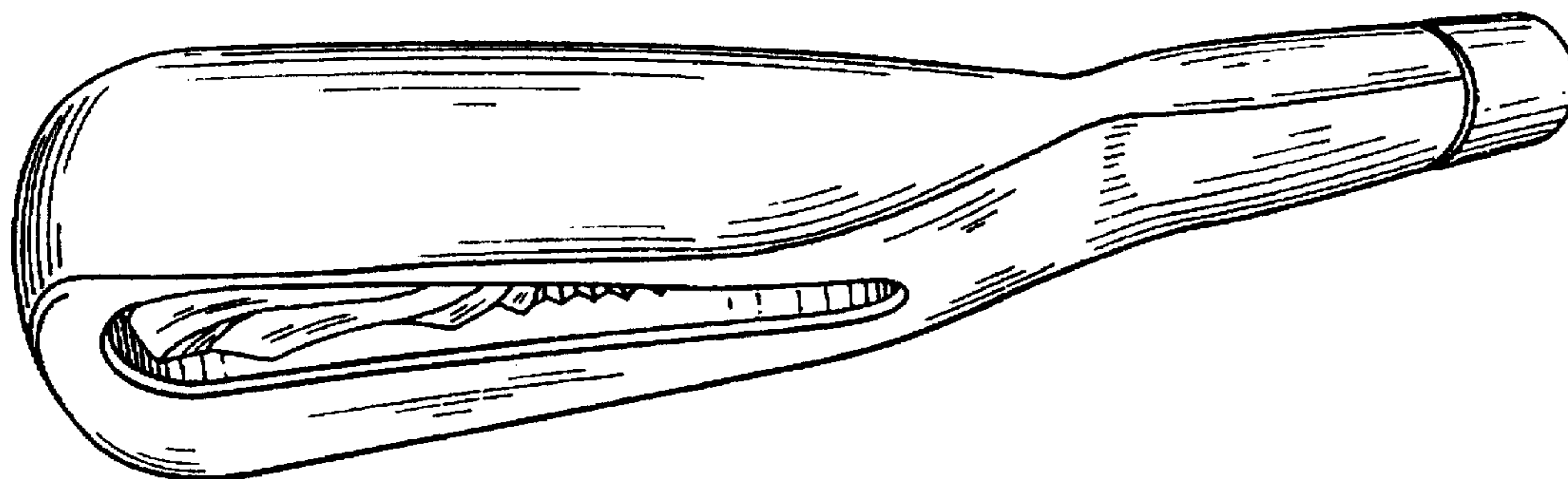


FIG. 18

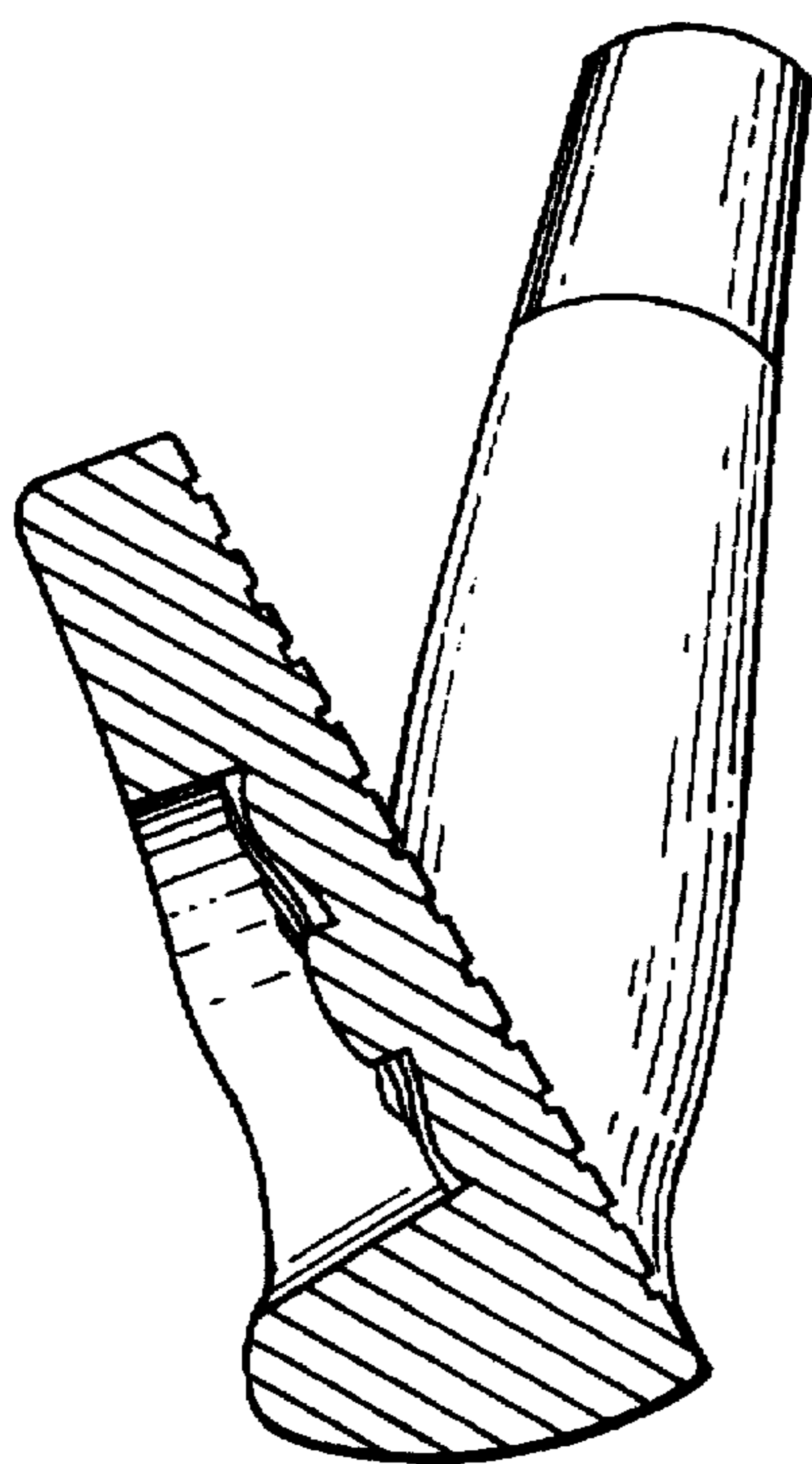


FIG. 19

