



US00D387111S

United States Patent [19]
Delegarde

[11] **Patent Number: Des. 387,111**
[45] **Date of Patent: **Dec. 2, 1997**

[54] **HOCKEY NET INSERT**

[76] **Inventor: Raymond Delegarde, 45 Hyland Rd., Guelph, Ontario, Canada, N1E 1T2**

[**] **Term: 14 Years**

[21] **Appl. No.: 53,924**

[22] **Filed: May 2, 1996**

[51] **LOC (6) CL 21-99**

[52] **U.S. Cl. D21/200**

[58] **Field of Search D21/200, 199; 273/57.2, 389, 400, 398, 401, 402, 411**

[56] **References Cited**

U.S. PATENT DOCUMENTS

D. 309,486	7/1990	Guenette et al.	D21/200
D. 361,609	8/1995	Bartlett	D21/200
3,856,298	12/1974	Franti	273/57.2
4,607,842	8/1986	Daoust	273/57.2

Primary Examiner—Prabhakar G. Deshmukh
Assistant Examiner—Richelle Shelton
Attorney, Agent, or Firm—John R. Rudolph; Dale E. Schlosser; Jeffrey T. Imai

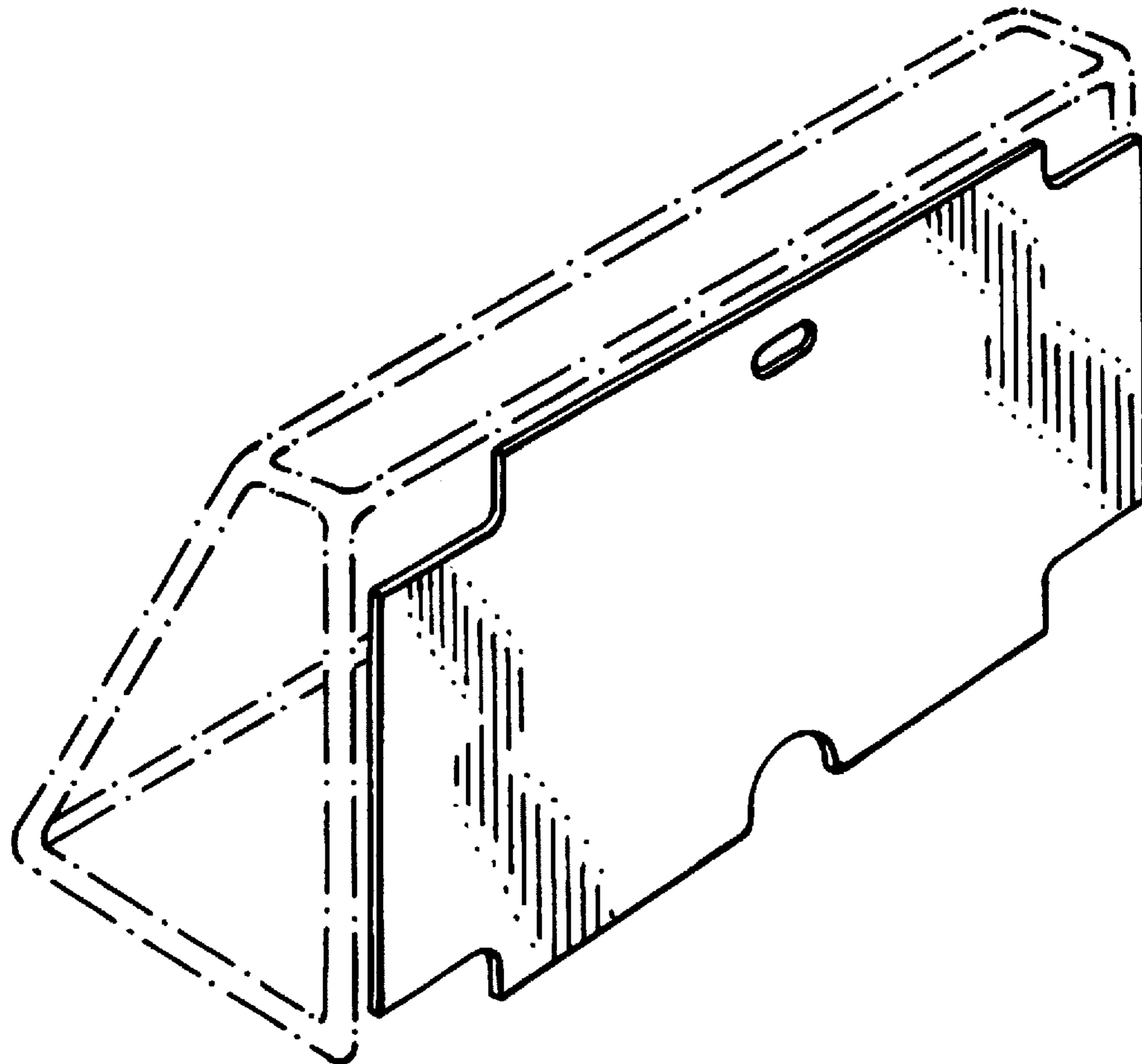
[57] **CLAIM**

The ornamental design for a hockey net insert, as shown and described.

DESCRIPTION

FIG. 1 is a perspective view of a hockey net insert, showing my new design;
FIG. 2 is a top view of the design of FIG. 1;
FIG. 3 is a front view of the design of FIG. 1, the rear view being identical;
FIG. 4 is a bottom view of the design of FIG. 1; and,
FIG. 5 is a side view of the design of FIG. 1.
The broken line showing of a hockey net in FIG. 1 is for illustrative purposes only and forms no part of the claimed design.

1 Claim, 1 Drawing Sheet



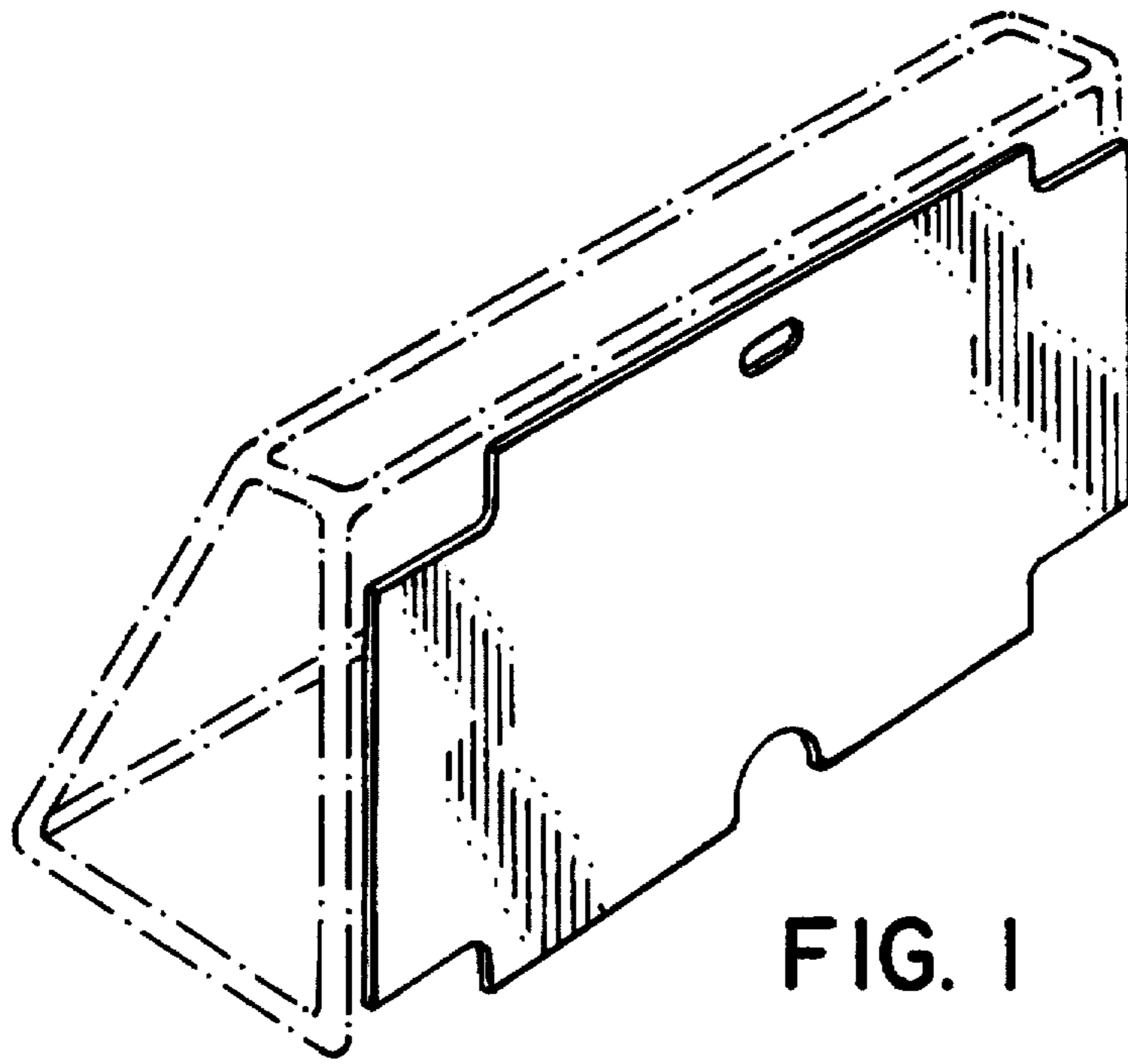


FIG. 1



FIG. 2

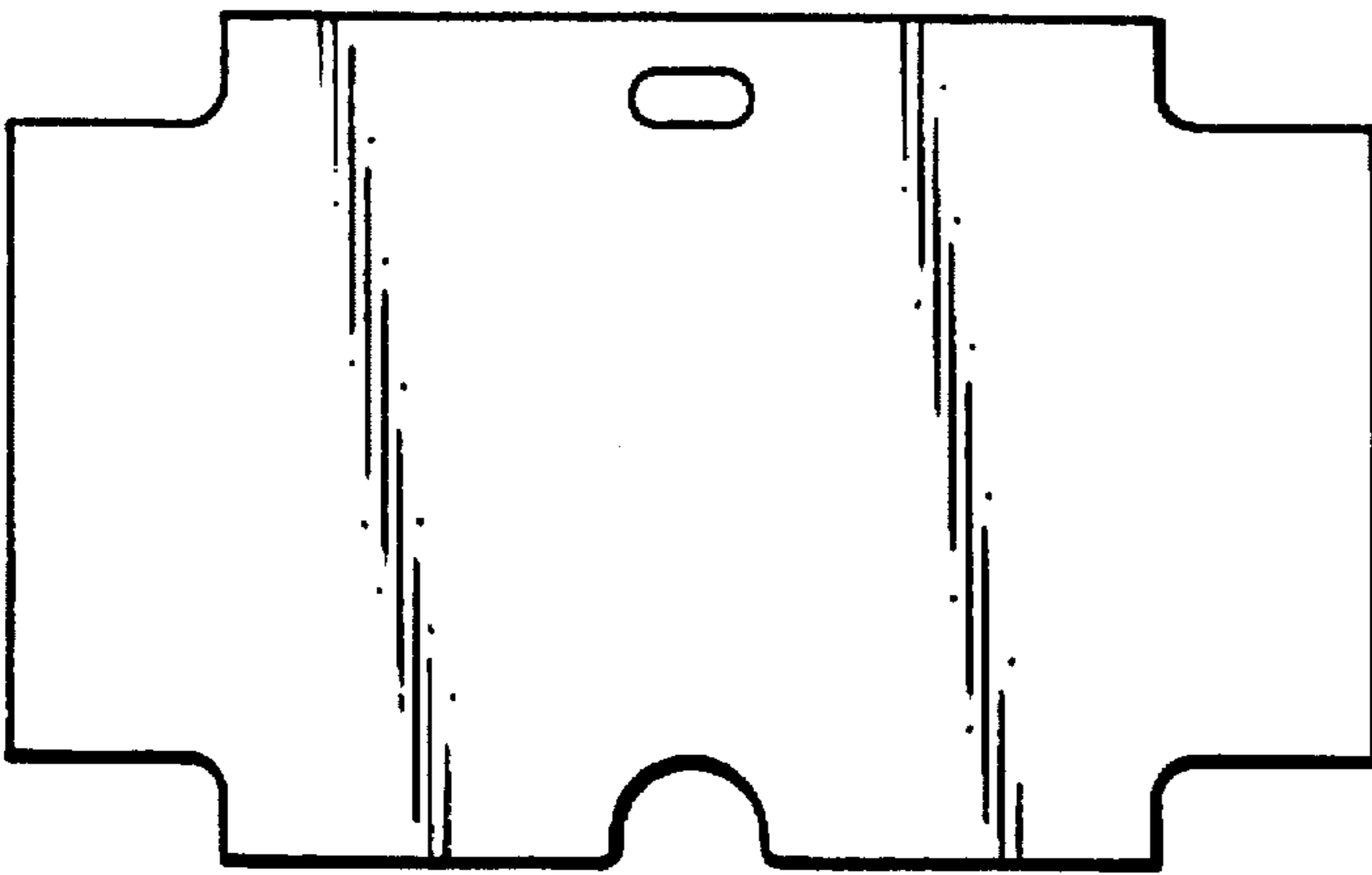


FIG. 3



FIG. 4



FIG. 5