



US00D387108S

# United States Patent [19]

[11] Patent Number: **Des. 387,108**

Lee

[45] Date of Patent: **\*\*Dec. 2, 1997**

[54] **FOLDABLE EXERCISER HORSE**

5,507,710	4/1996	Chen	482/72
5,556,361	9/1996	Liao	482/95
5,573,482	11/1996	Wang et al.	482/72
5,580,339	12/1996	Chen	482/95

[76] Inventor: **Kuo-Ron Lee**, No. 61, Mai Jou II Rd., Yi Lan City, Taiwan

[\*\*] Term: **14 Years**

*Primary Examiner*—Philip S. Hyder  
*Attorney, Agent, or Firm*—Varndell Legal Group

[21] Appl. No.: **61,640**

[57] **CLAIM**

[22] Filed: **Oct. 28, 1996**

The ornamental design for a foldable exerciser horse, as shown and described.

[51] LOC (6) Cl. .... **21-02**

[52] U.S. Cl. .... **D21/195**

[58] Field of Search ..... D21/191, 192, D21/193, 194, 195; 482/51, 57, 62, 71, 72, 95, 96, 137, 70

**DESCRIPTION**

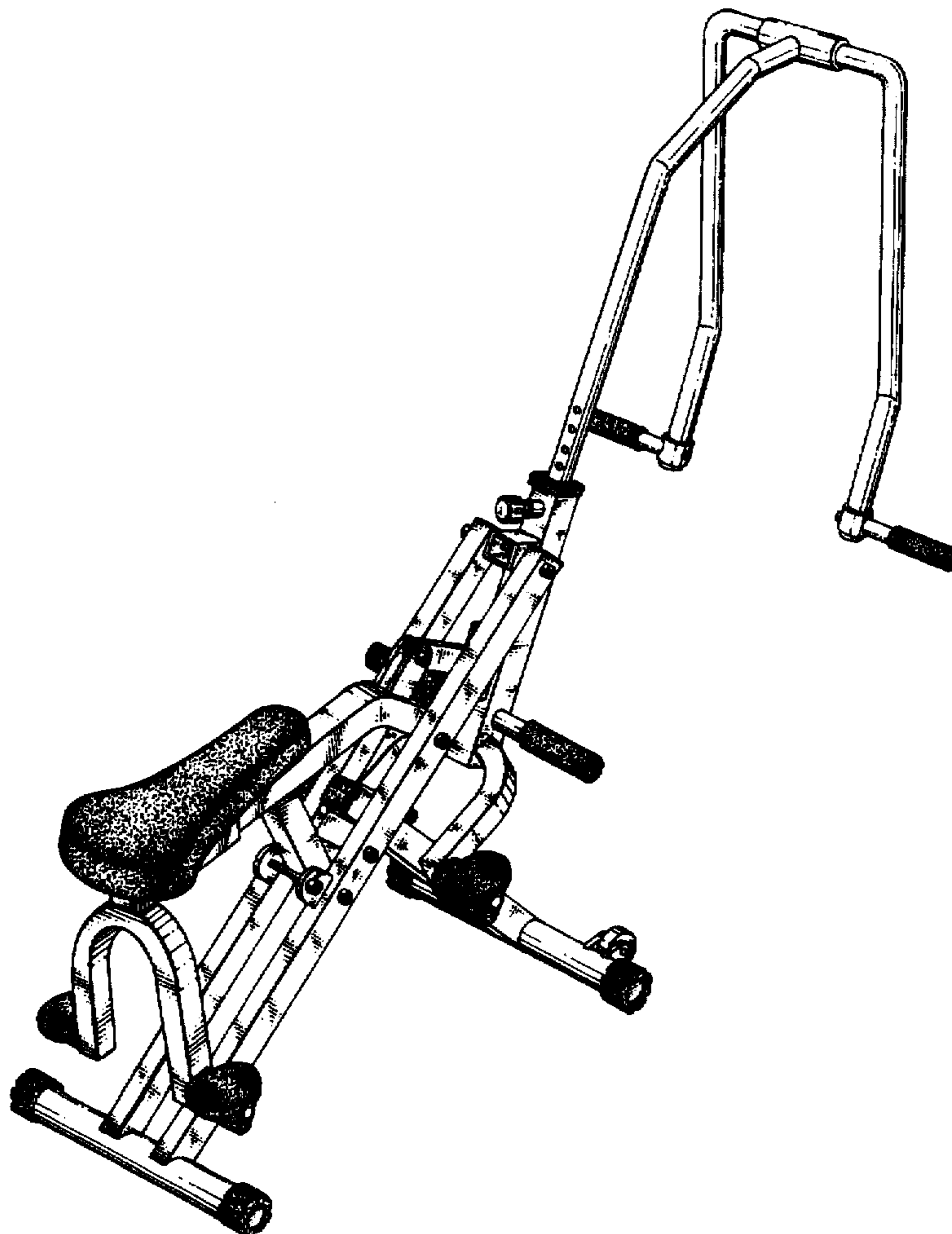
FIG. 1 is a perspective view of a foldable exerciser horse showing my new design;  
FIG. 2 is a front elevational view thereof;  
FIG. 3 is a rear elevational view thereof;  
FIG. 4 is a top plan view thereof;  
FIG. 5 is a bottom plan view thereof;  
FIG. 6 is a left side elevational view thereof;  
FIG. 7 is a right side elevational view thereof; and,  
FIG. 8 illustrates the foldable status thereof.

[56] **References Cited**

**U.S. PATENT DOCUMENTS**

D. 356,128	3/1995	Smith et al.	D21/195
D. 358,437	5/1995	Wang et al.	D21/195
D. 367,689	3/1996	Wilkinson et al.	D21/195
D. 372,509	8/1996	Yang	D21/195
5,366,428	11/1994	Liao	482/72
5,458,553	10/1995	Wu	482/72

**1 Claim, 8 Drawing Sheets**



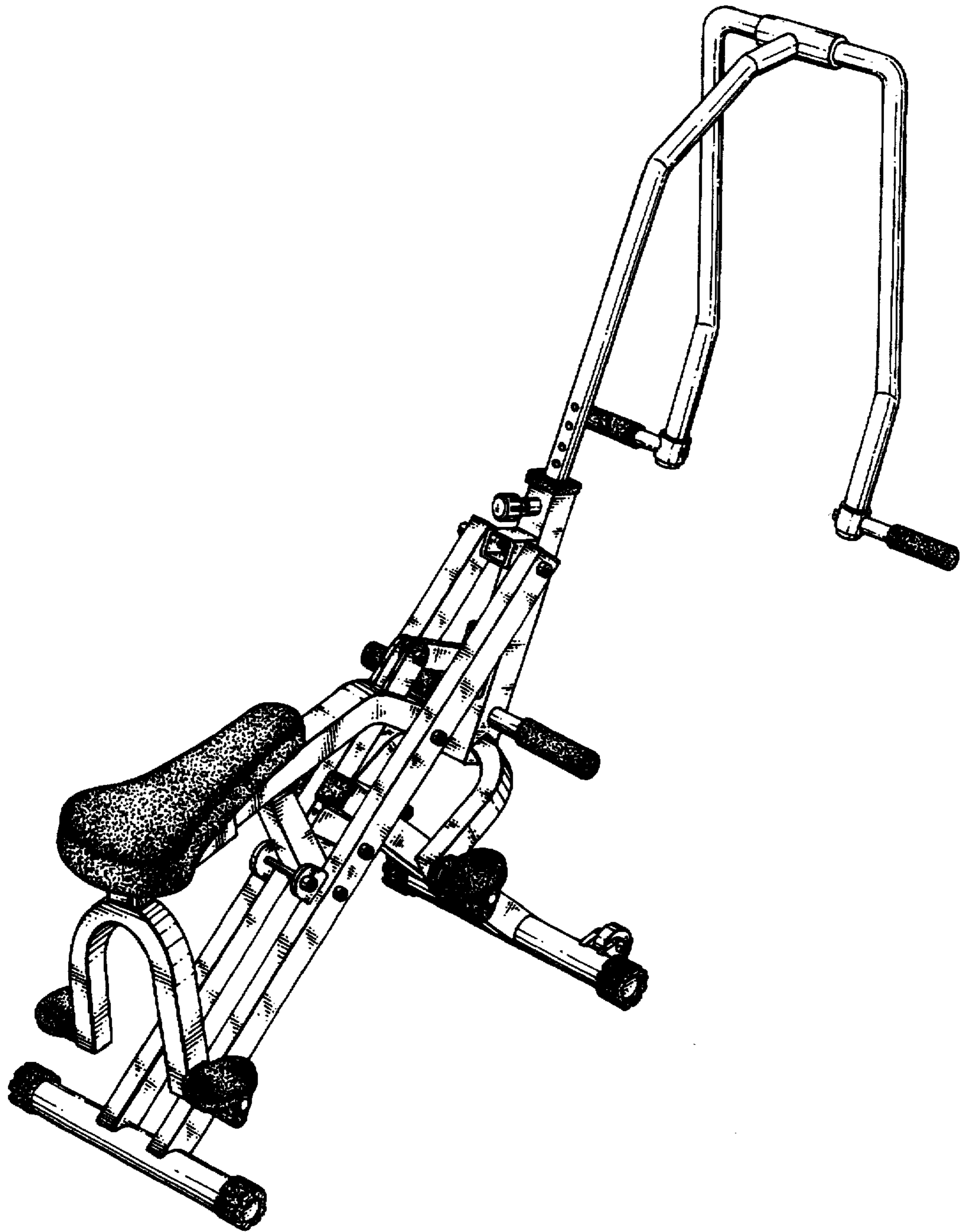


Fig. 1

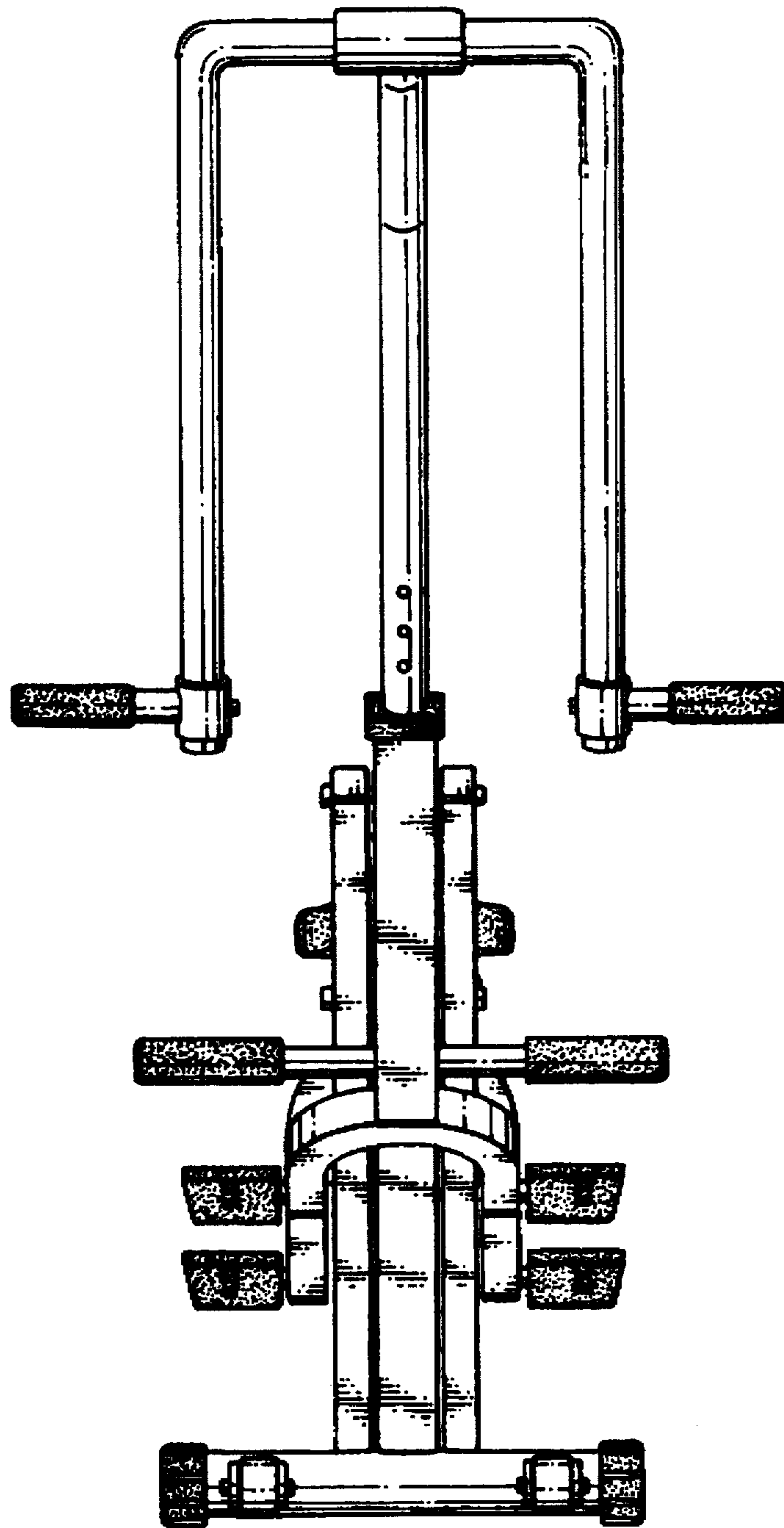


Fig. 2

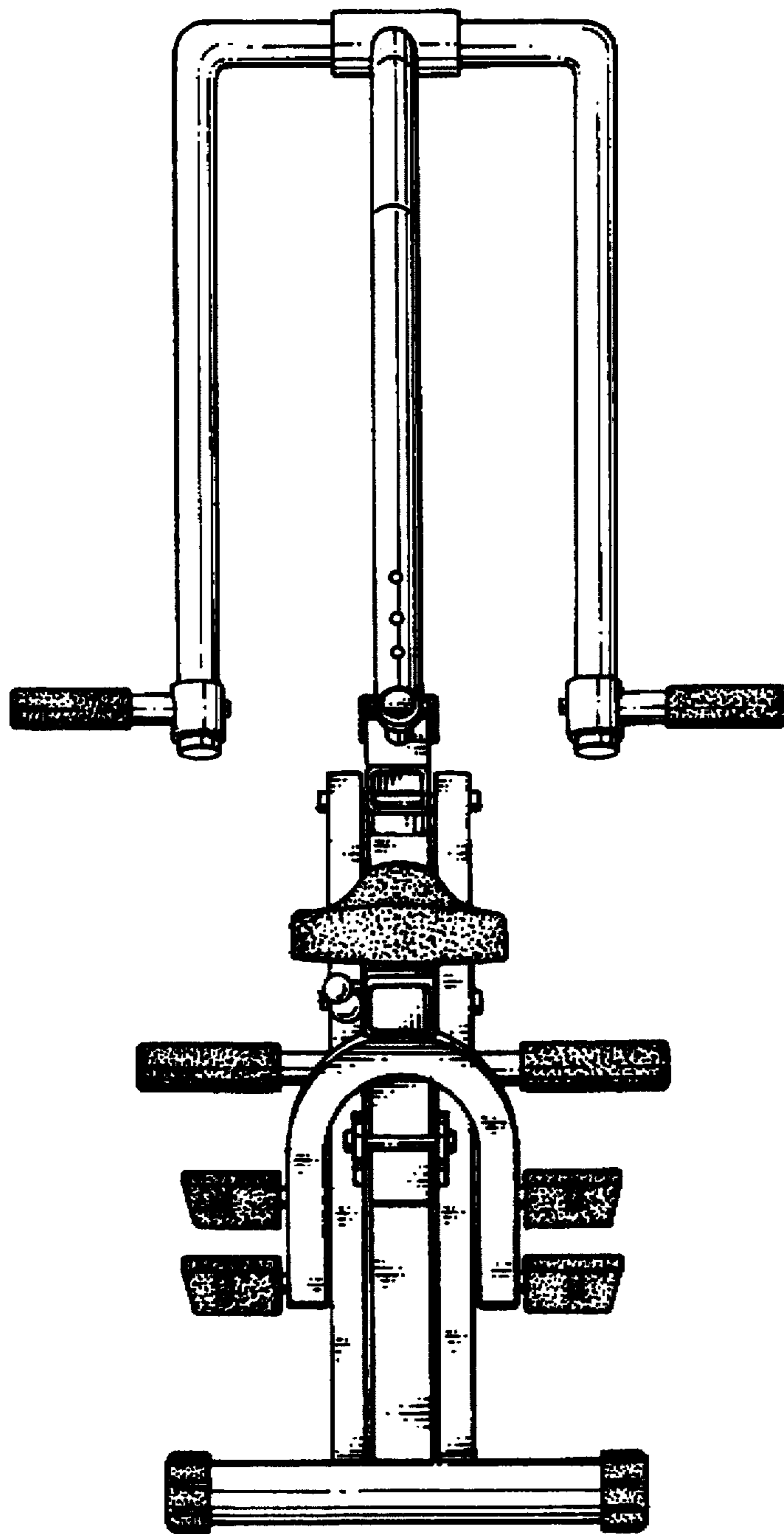


Fig. 3

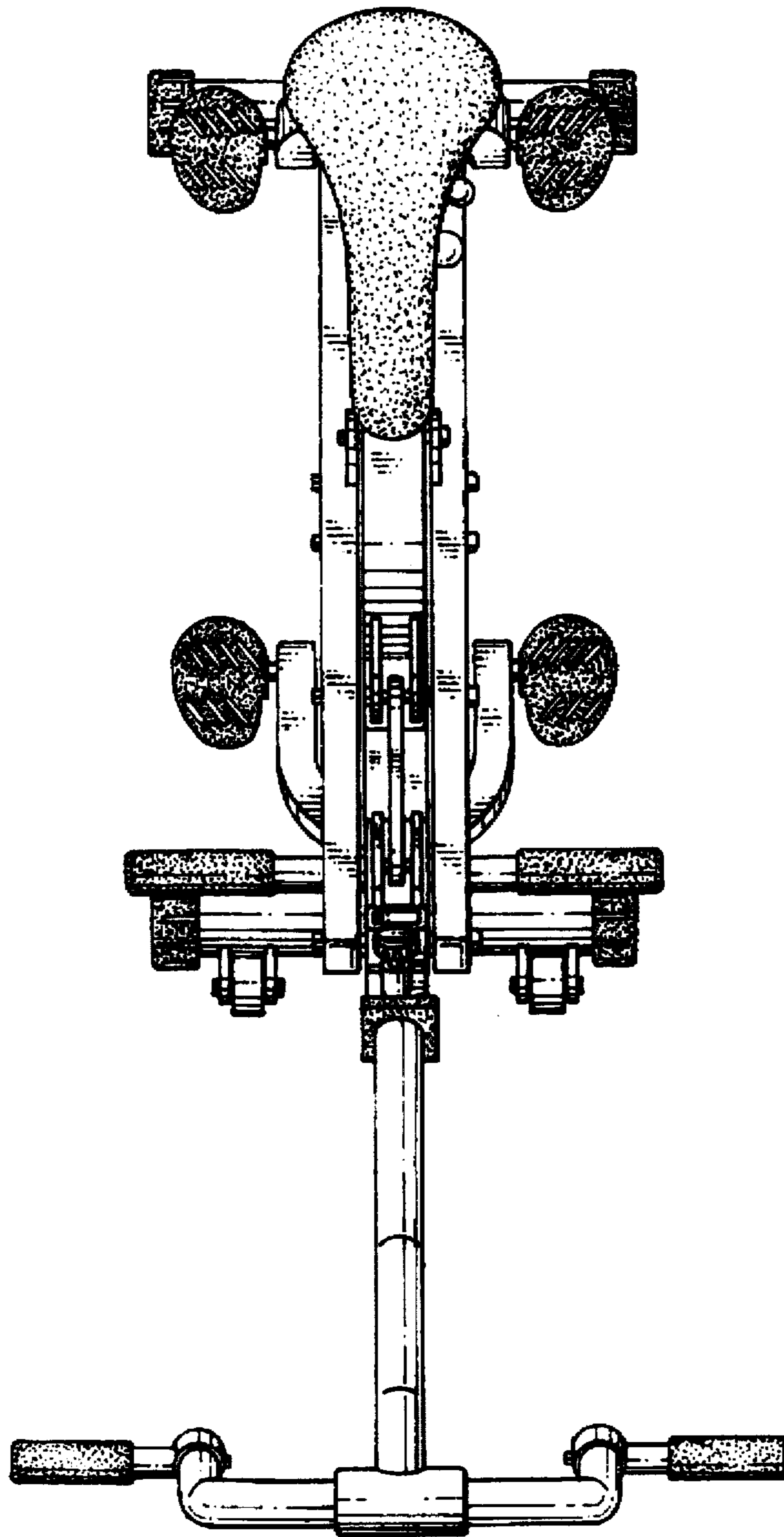


Fig. 4



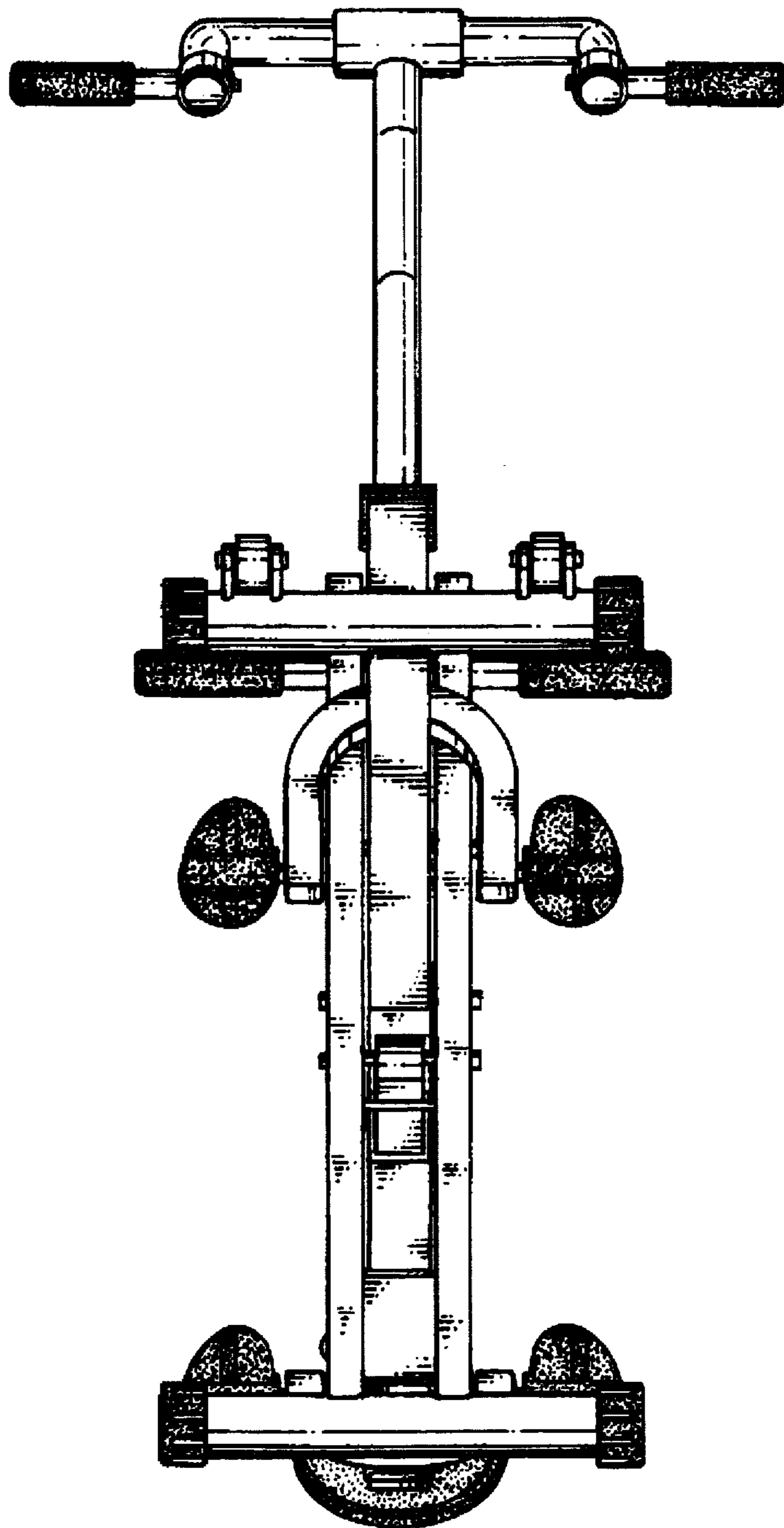


Fig. 5

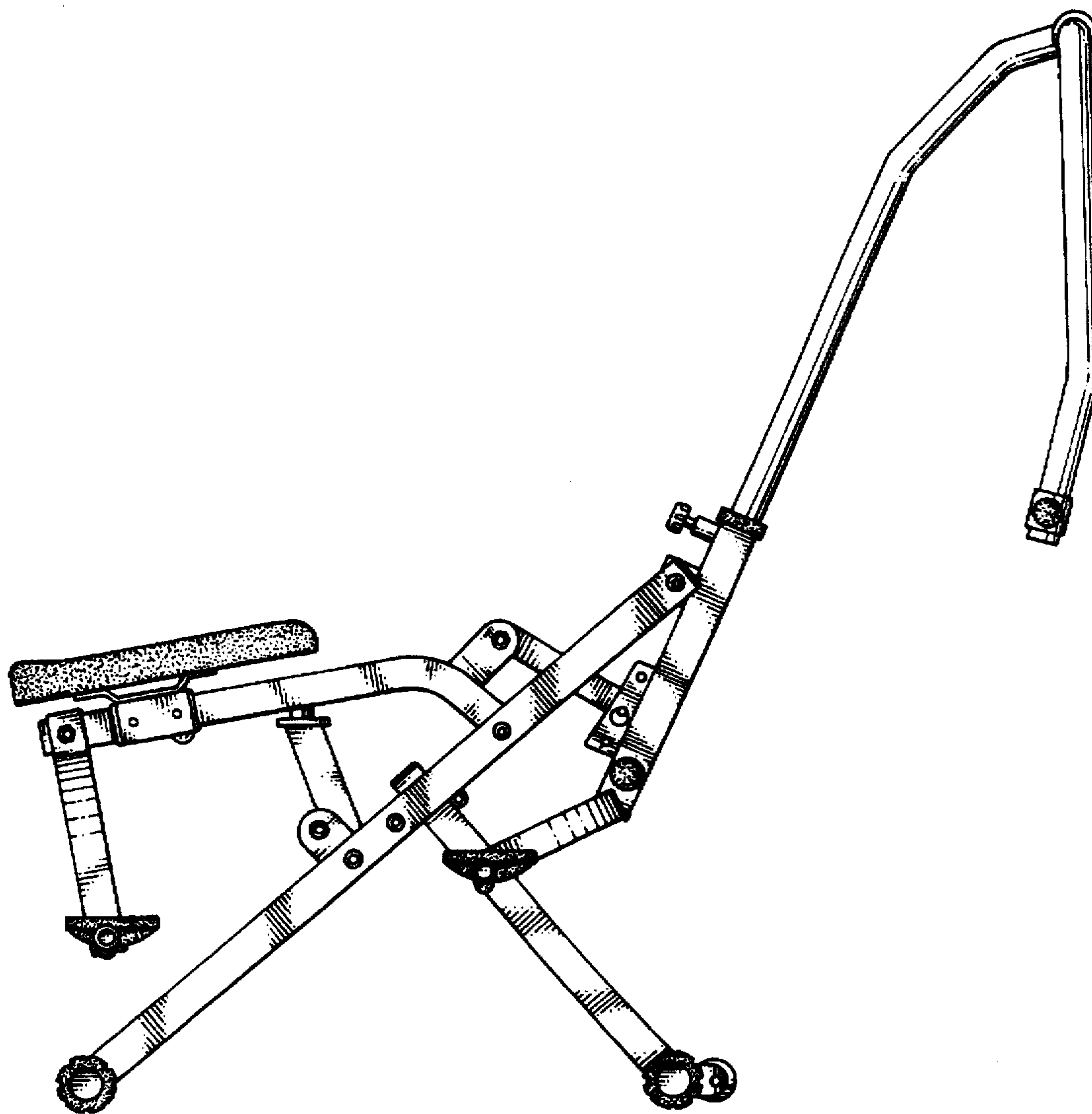


Fig. 6

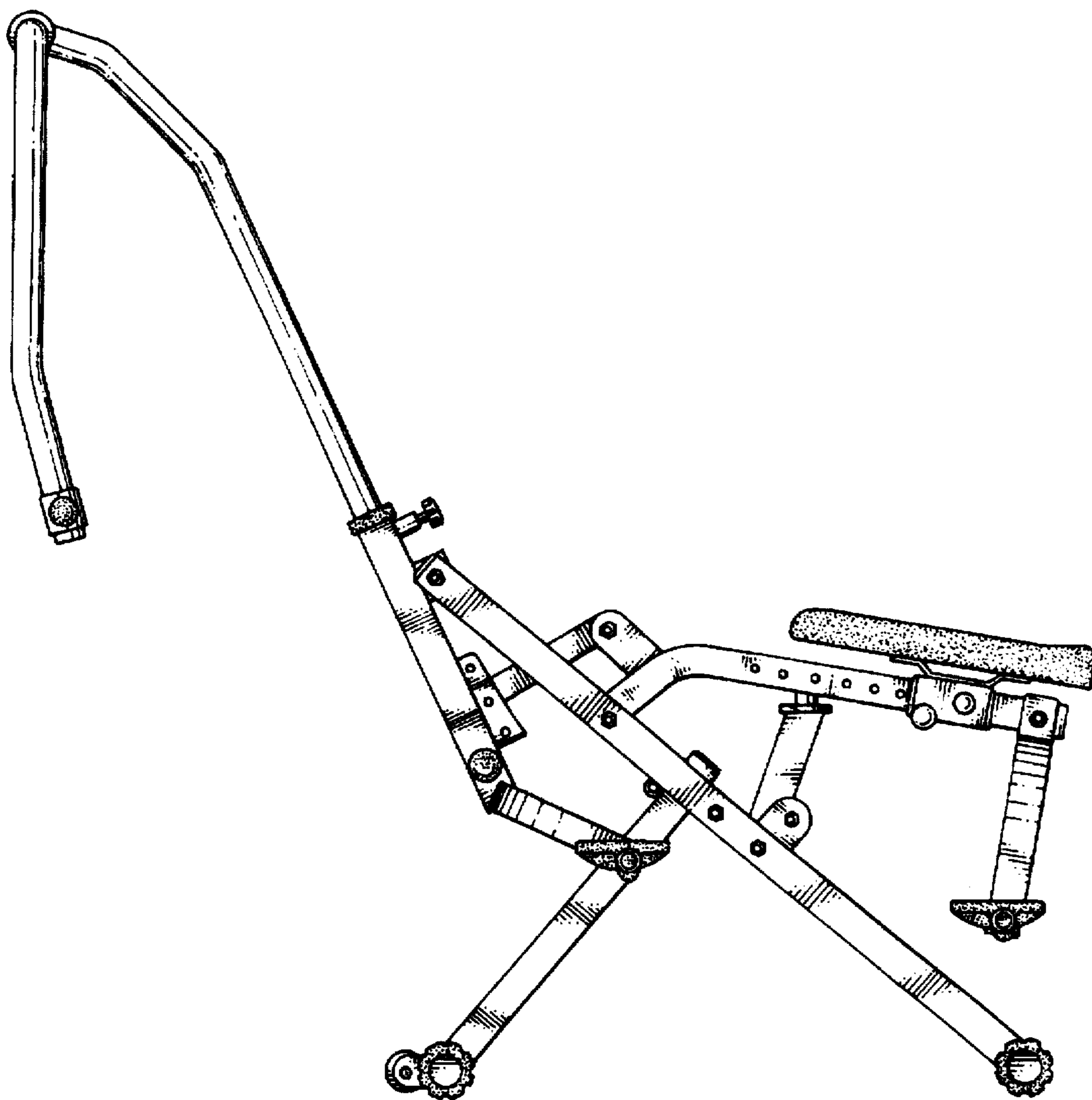


Fig. 7



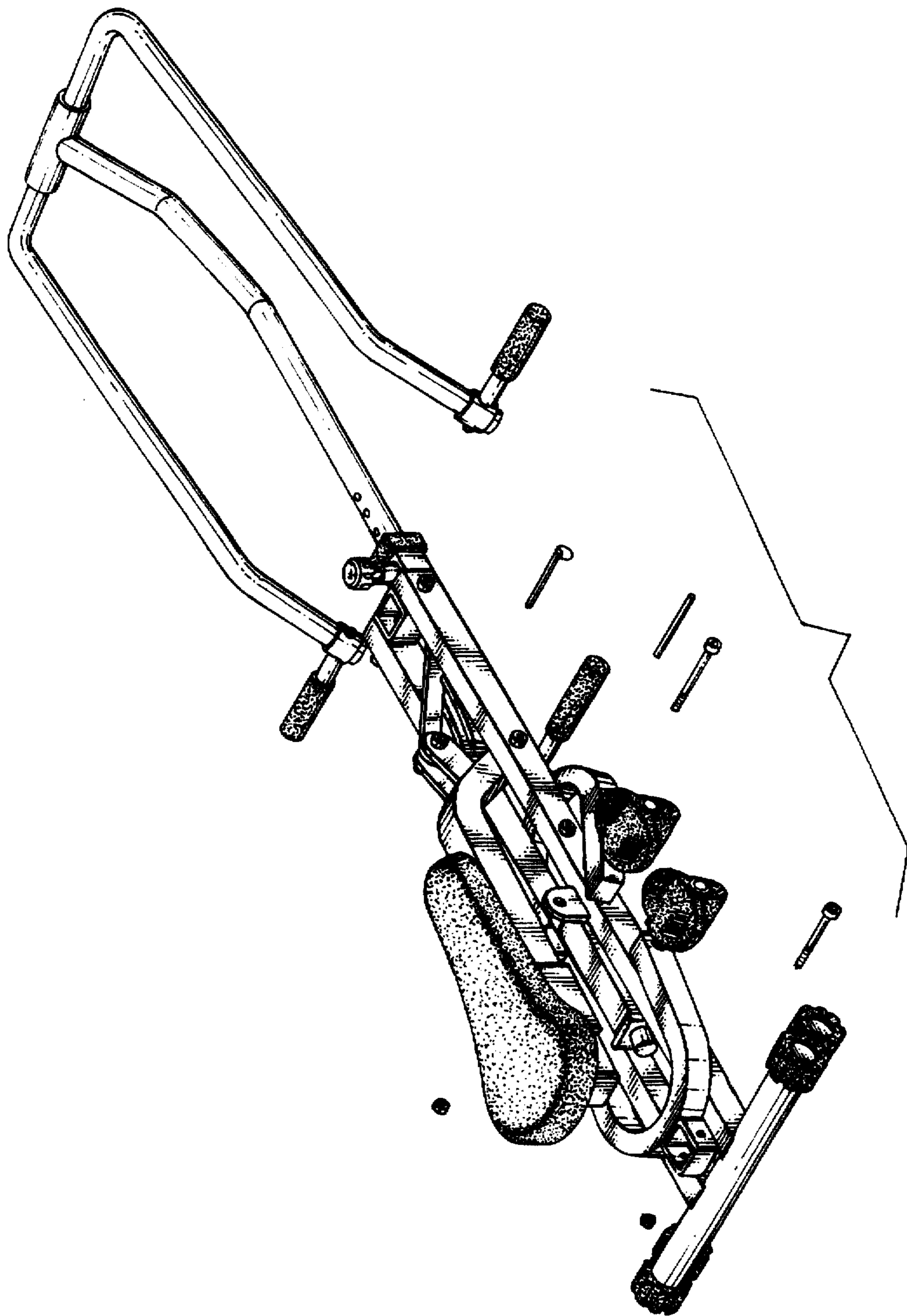


Fig. 8