



US00D387092S

United States Patent [19]
Elkins

[11] **Patent Number:** **Des. 387,092**

[45] **Date of Patent:** ****Dec. 2, 1997**

[54] **PEN/PAGE HOLDER**

[75] **Inventor:** **Robert W. Elkins, Oak Ridge, N.C.**

[73] **Assignee:** **Grand Ideas, Inc., Greensboro, N.C.**

[**] **Term:** **14 Years**

[21] **Appl. No.:** **63,932**

[22] **Filed:** **Dec. 19, 1996**

[51] **LOC (6) Cl.** **19-06**

[52] **U.S. Cl.** **D19/78; D19/65; D19/86;**
D8/395

[58] **Field of Search** **D8/395, 396; D19/65,**
D19/75, 78, 81-85, 86, 91, 99, 100; 24/11 PP,
67 R, 67.1-67.11, 545, 546, 549, 3 J, 547,
DIG. 8, DIG. 10; 211/88

[56] **References Cited**

U.S. PATENT DOCUMENTS

- D. 201,479 6/1965 Green D19/84
- D. 311,212 10/1990 Tsuji D19/65
- 637,889 11/1899 Parker 24/11 PP X

- 992,233 5/1911 Myers D19/65 X
- 1,899,509 2/1933 Lapin 211/88
- 5,016,559 5/1991 Larson et al. 116/234
- 5,214,825 6/1993 Hirzel 24/67.9

FOREIGN PATENT DOCUMENTS

15652 of 1890 United Kingdom D19/54

Primary Examiner—Martie Thompson

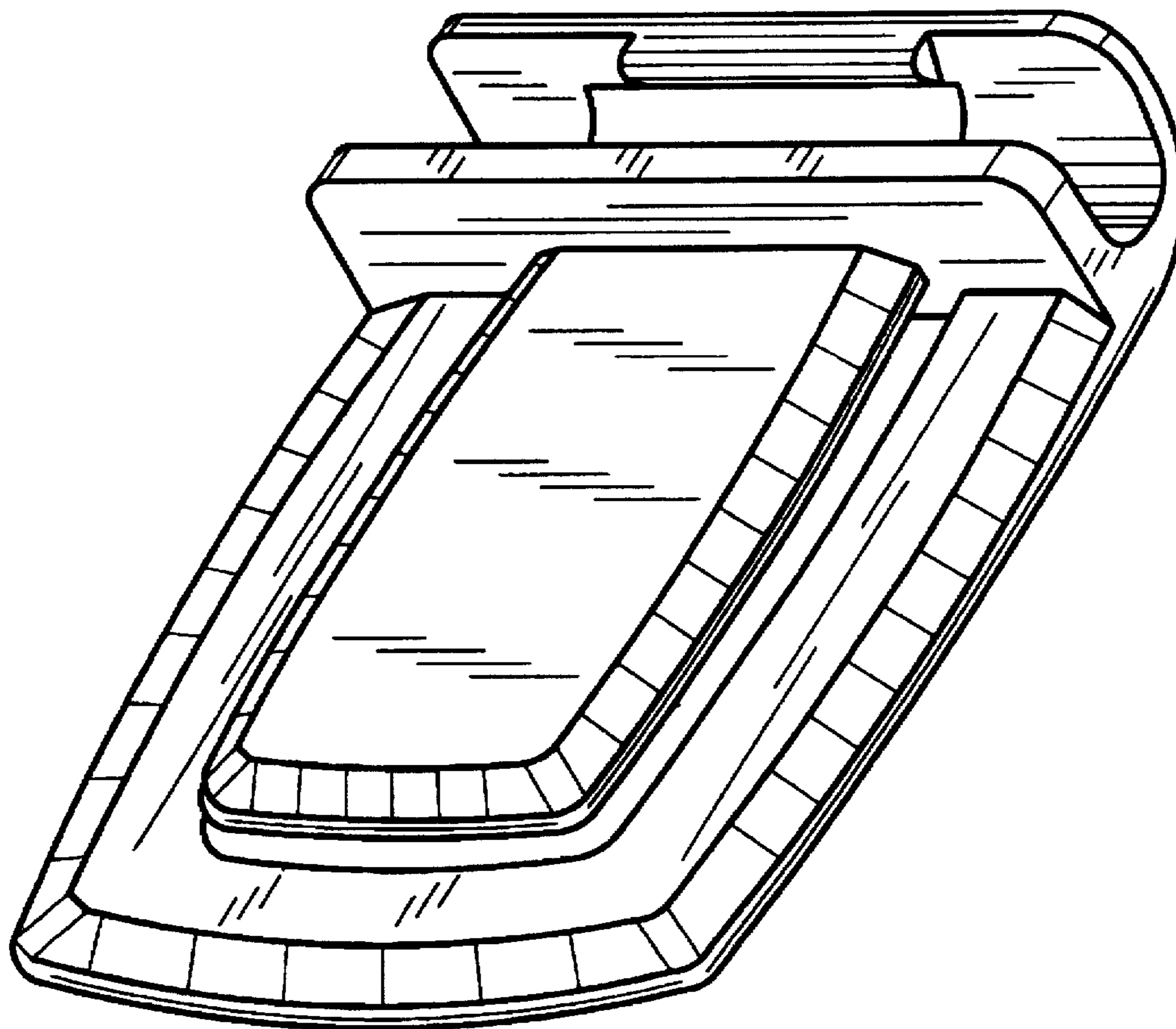
[57] **CLAIM**

The ornamental design for a pen/page holder, as shown and described.

DESCRIPTION

FIG. 1 is a front, right perspective view of a pen/page holder embodying my design;
 FIG. 2 is a front plan view thereof;
 FIG. 3 is a back plan view thereof;
 FIG. 4 is a top plan view thereof;
 FIG. 5 is a left side elevational view thereof; and,
 FIG. 6 is a bottom plan view thereof.

1 Claim, 2 Drawing Sheets



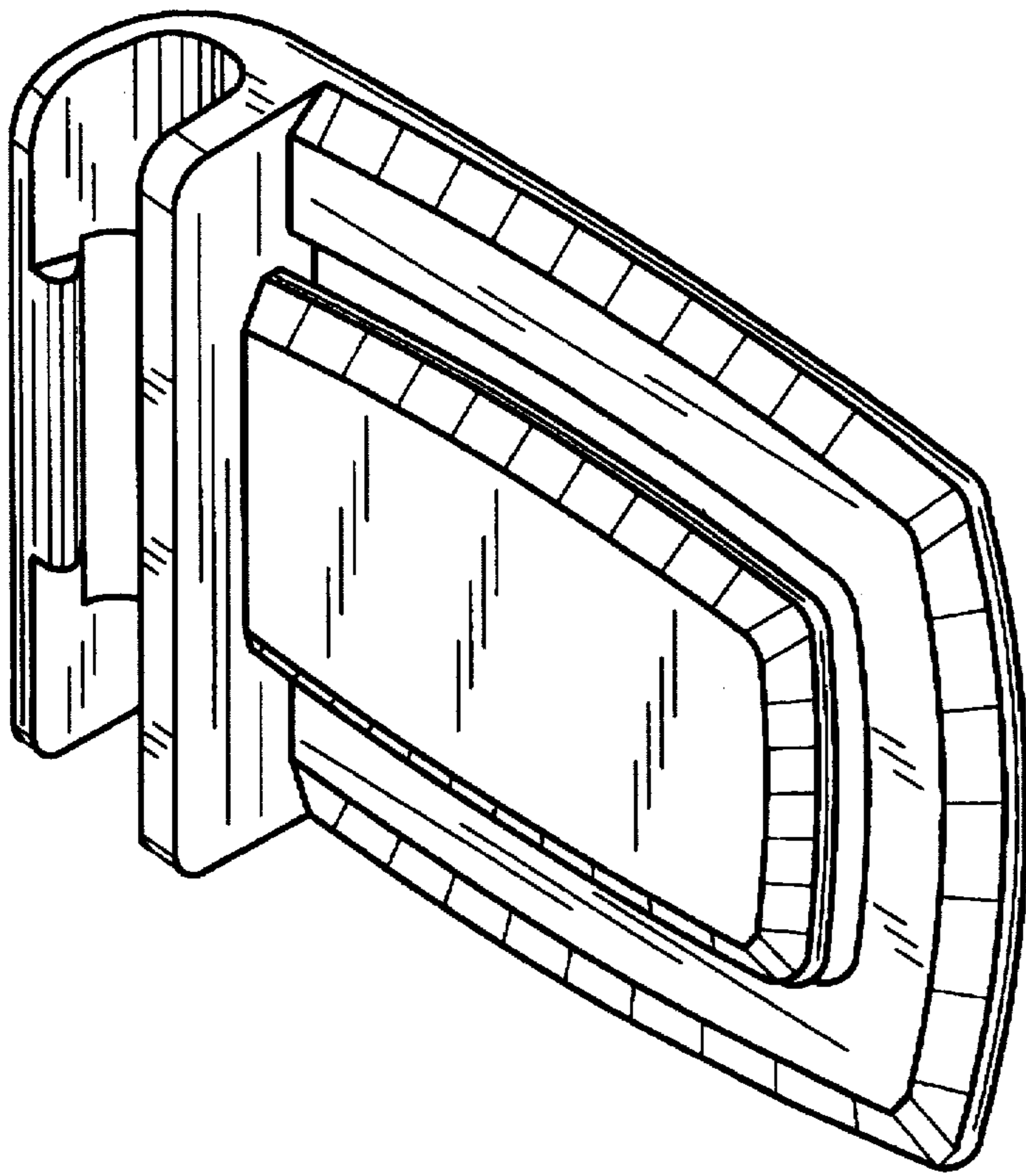


FIG. 1

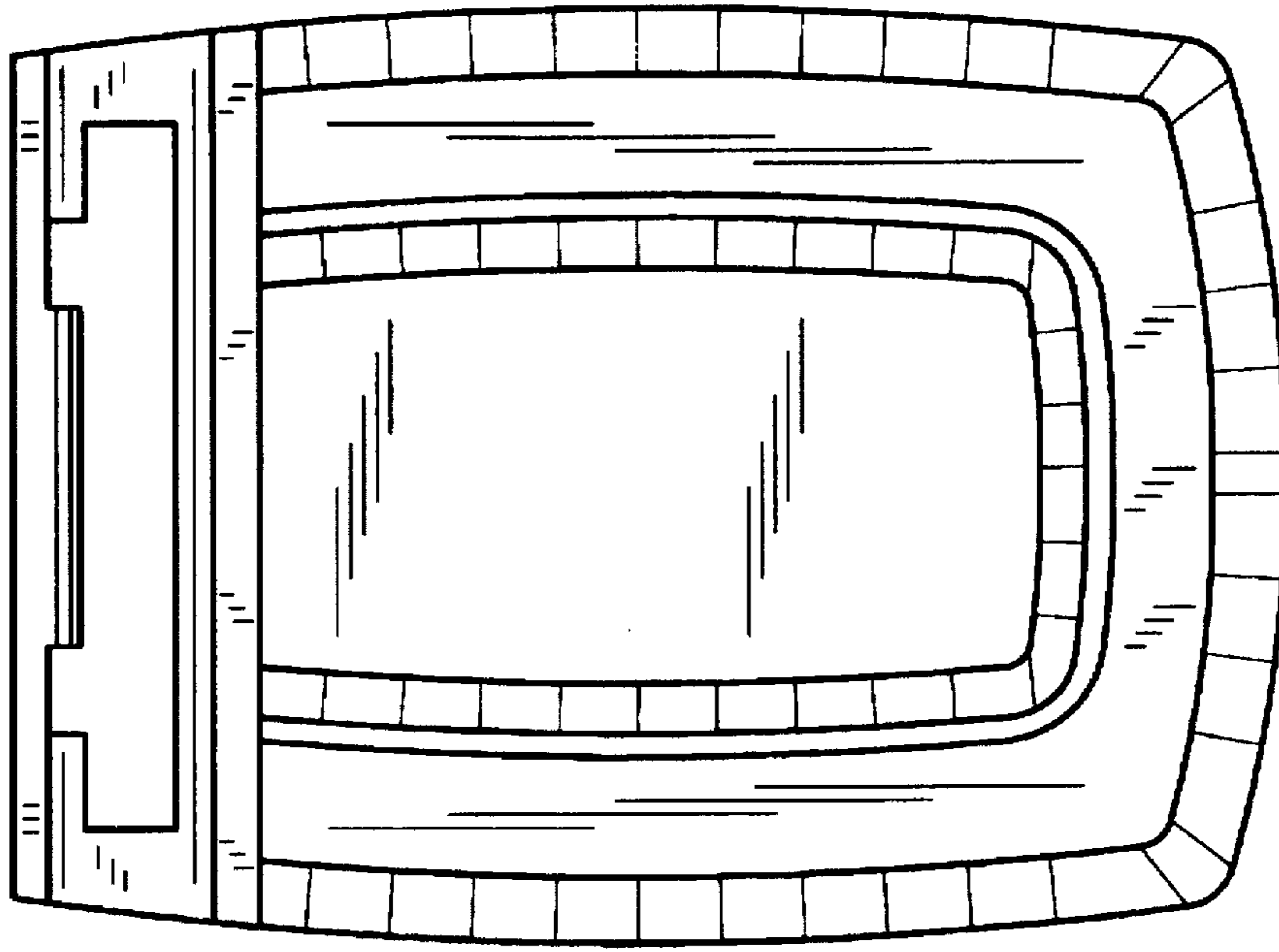


FIG. 2

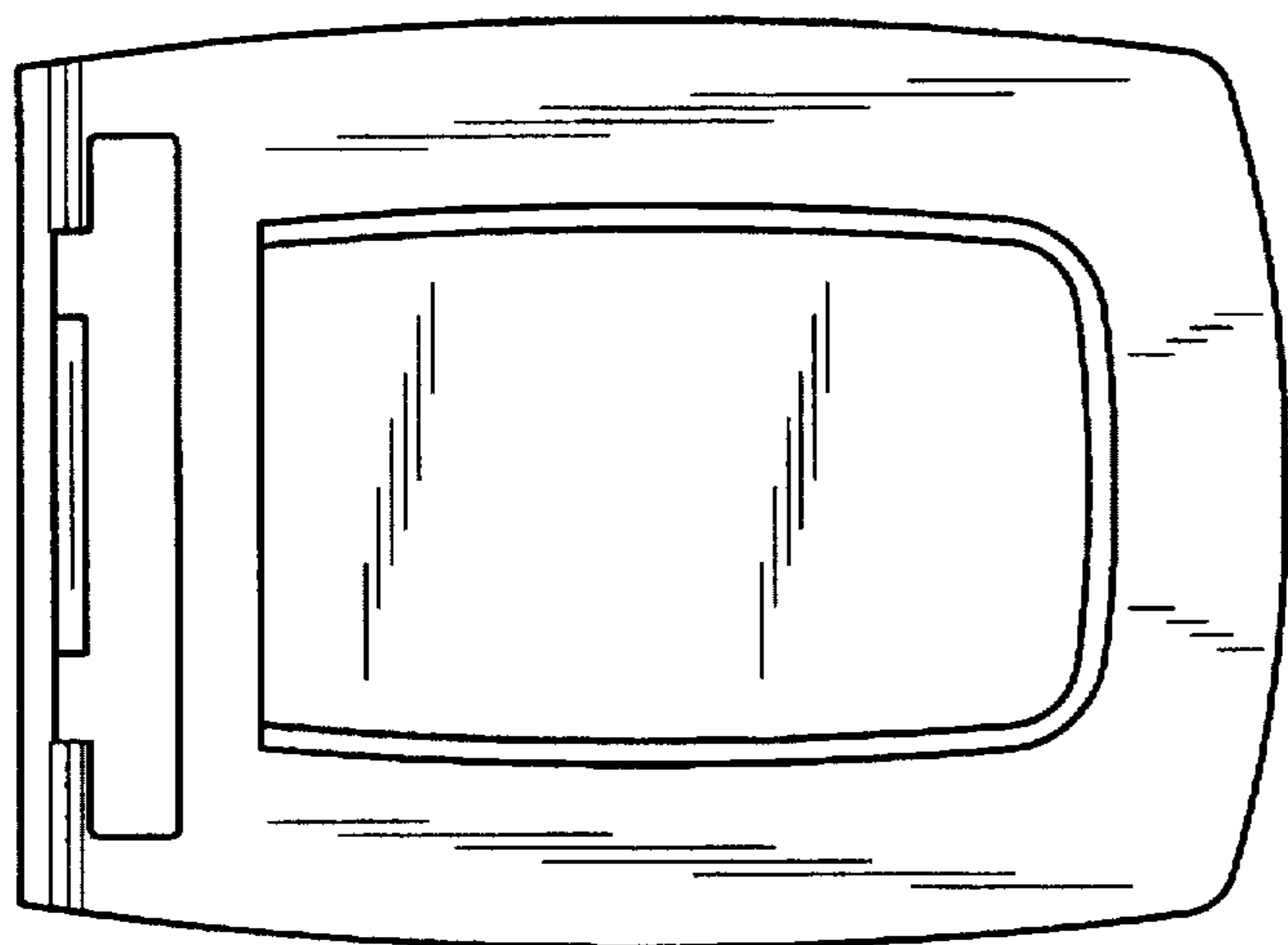


FIG. 3

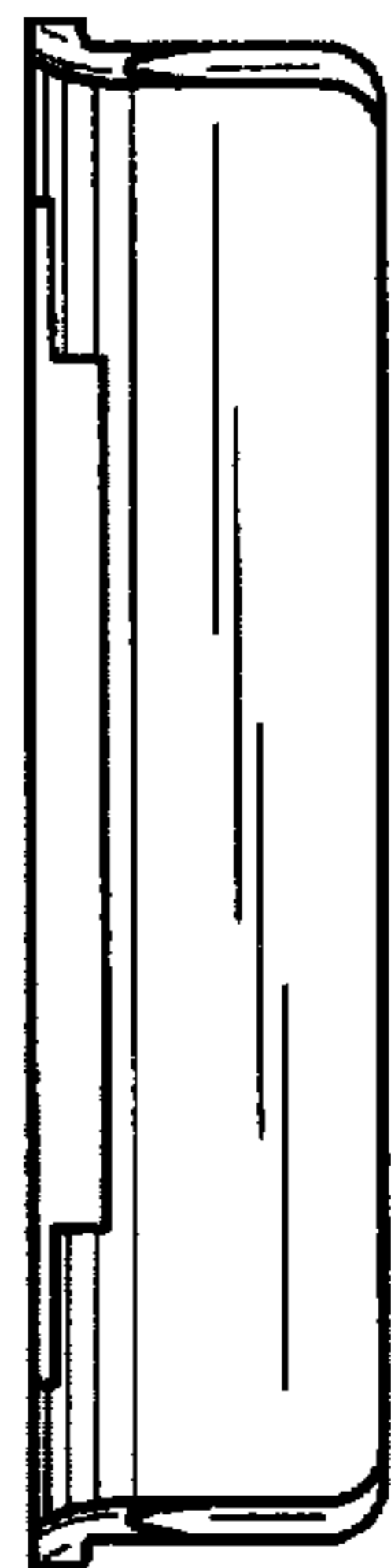


FIG. 4

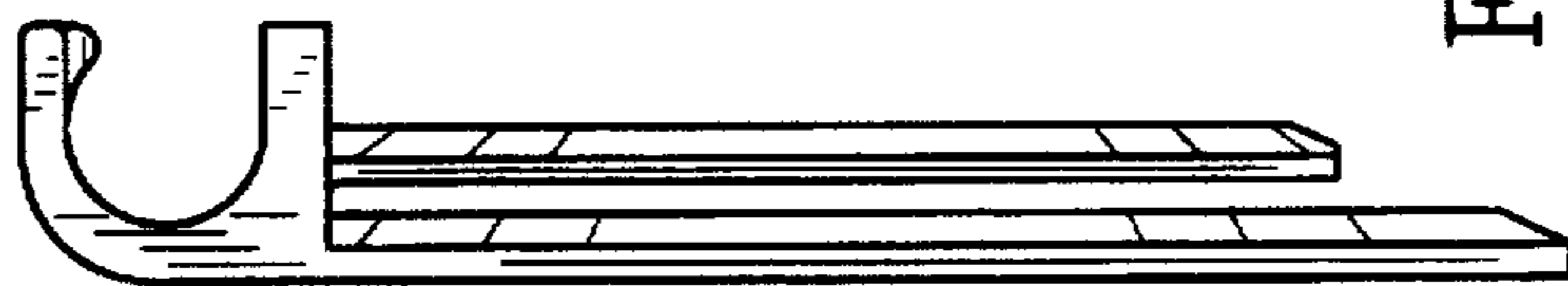


FIG. 5



FIG. 6