



US00D387089S

United States Patent [19]

[11] Patent Number: **Des. 387,089**

Despointes

[45] Date of Patent: ****Dec. 2, 1997**

[54] **WRITING PAD**

2,621,945 12/1952 Cooper 24/67.9 X
2,737,745 3/1956 Hartmann 40/721

[76] Inventor: **Xavier Huyghues Despointes**, 1, rue Saint-James, F-92200 Neuilly-sur-Seine, France

Primary Examiner—Martie Thompson
Attorney, Agent, or Firm—Bell, Seltzer, Park & Gibson

[**] Term: **14 Years**

[57] **CLAIM**

The ornamental design for an writing pad, as shown and described.

[21] Appl. No.: **60,326**

[22] Filed: **Sep. 26, 1996**

DESCRIPTION

[30] **Foreign Application Priority Data**

Mar. 29, 1996 [FR] France 96 1910

FIG. 1 is a perspective view of a writing pad showing a first embodiment of my new design;

[51] **LOC (6) CL** **19-06**

FIG. 2 is a top plan view thereof;

[52] **U.S. Cl.** **D19/52; D19/92; D19/35; D19/86**

FIG. 3 is a left side elevational view thereof;

[58] **Field of Search** D19/1, 35, 36, D19/52, 65, 86, 88, 99, 100, 26, 92, 2; 281/3.1, 15.1, 42, 44, 45, 29, 38; 206/555, 215; 283/61, 117; 40/721, 774

FIG. 4 is a right side elevational view thereof;

FIG. 5 is an upper end elevational view thereof;

FIG. 6 is a lower end elevational view thereof;

FIG. 7 is a bottom plan view thereof;

FIG. 8 is a perspective view of a writing pad showing a second embodiment of my new design;

FIG. 9 is a top plan view thereof;

FIG. 10 is a left side elevational view thereof;

FIG. 11 is a right side elevational view thereof;

FIG. 12 is an upper end elevational view thereof;

FIG. 13 is a lower end elevational view thereof; and,

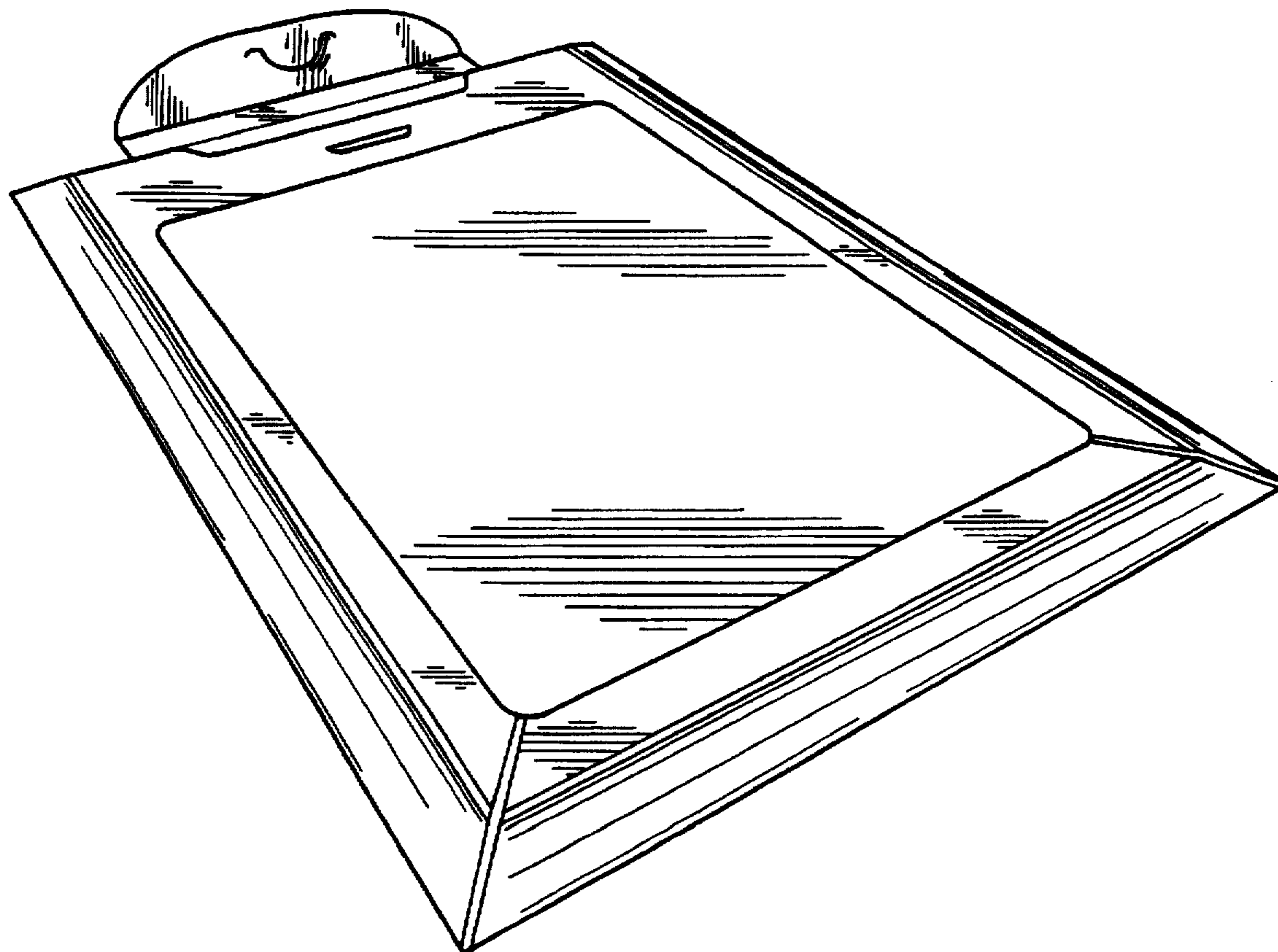
FIG. 14 is a bottom plan view thereof.

[56] **References Cited**

U.S. PATENT DOCUMENTS

D. 295,189 4/1988 Gordon D19/26
D. 313,819 1/1991 Craft, Jr. et al. D19/86 X
D. 353,401 12/1994 Mund et al. D19/92

1 Claim, 6 Drawing Sheets



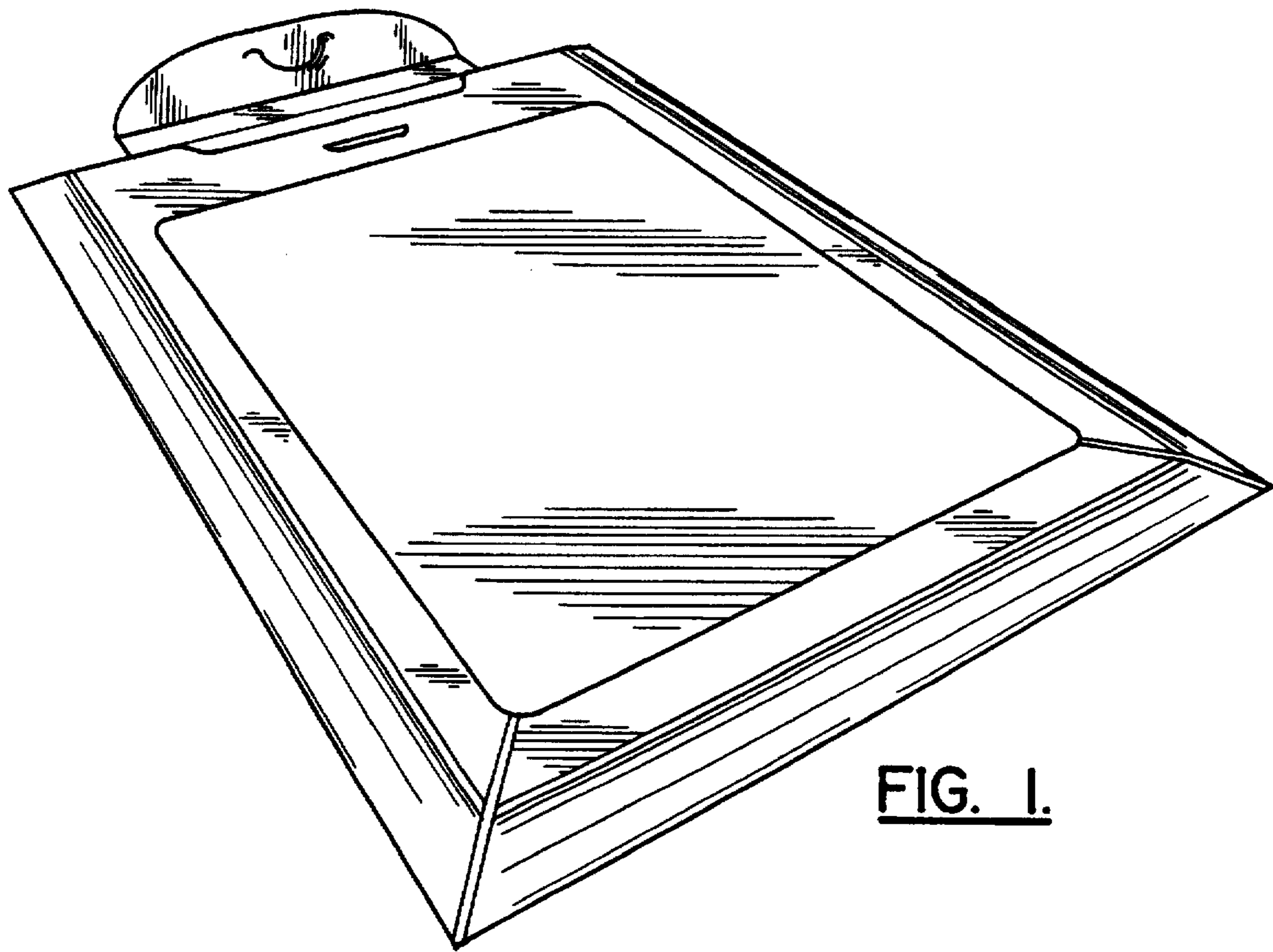


FIG. 1.



FIG. 3.

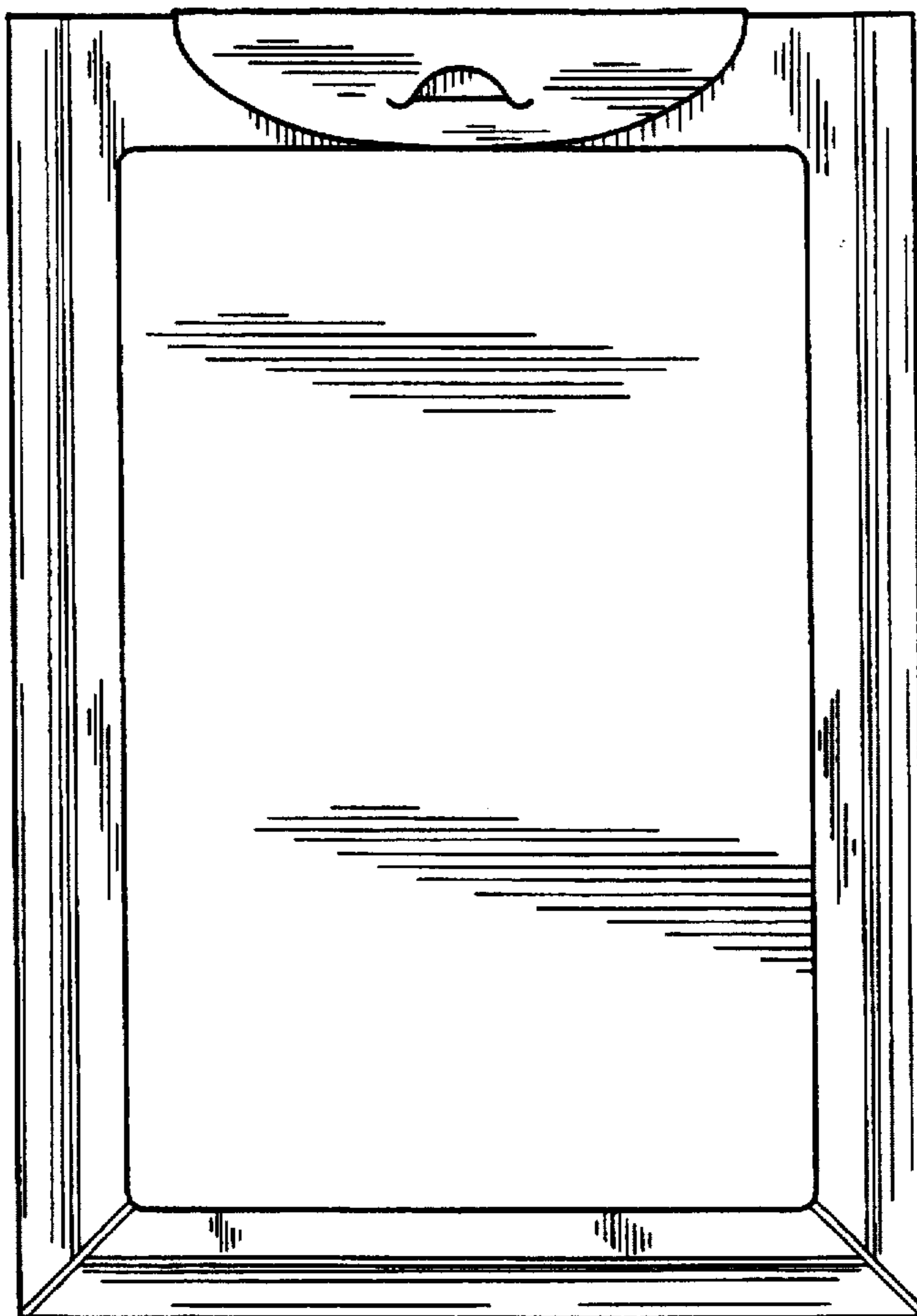


FIG. 2.



FIG. 4.

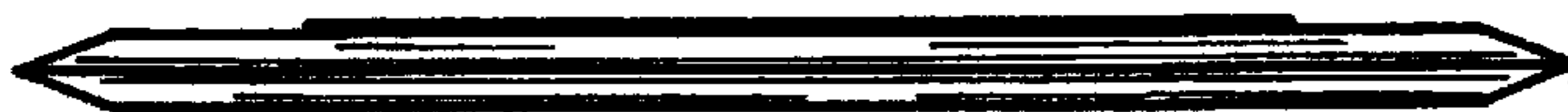


FIG. 5.



FIG. 6.

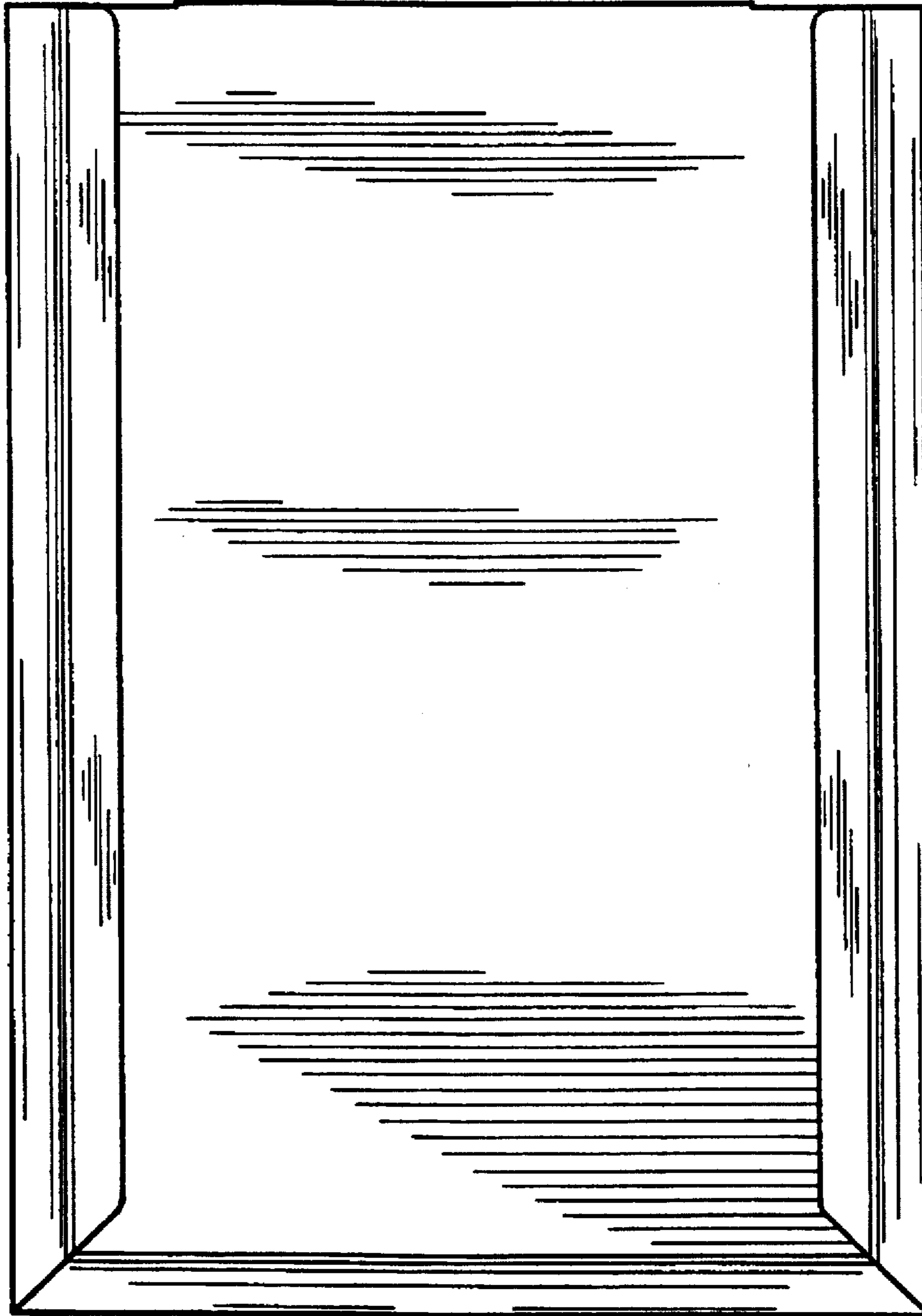


FIG. 7.

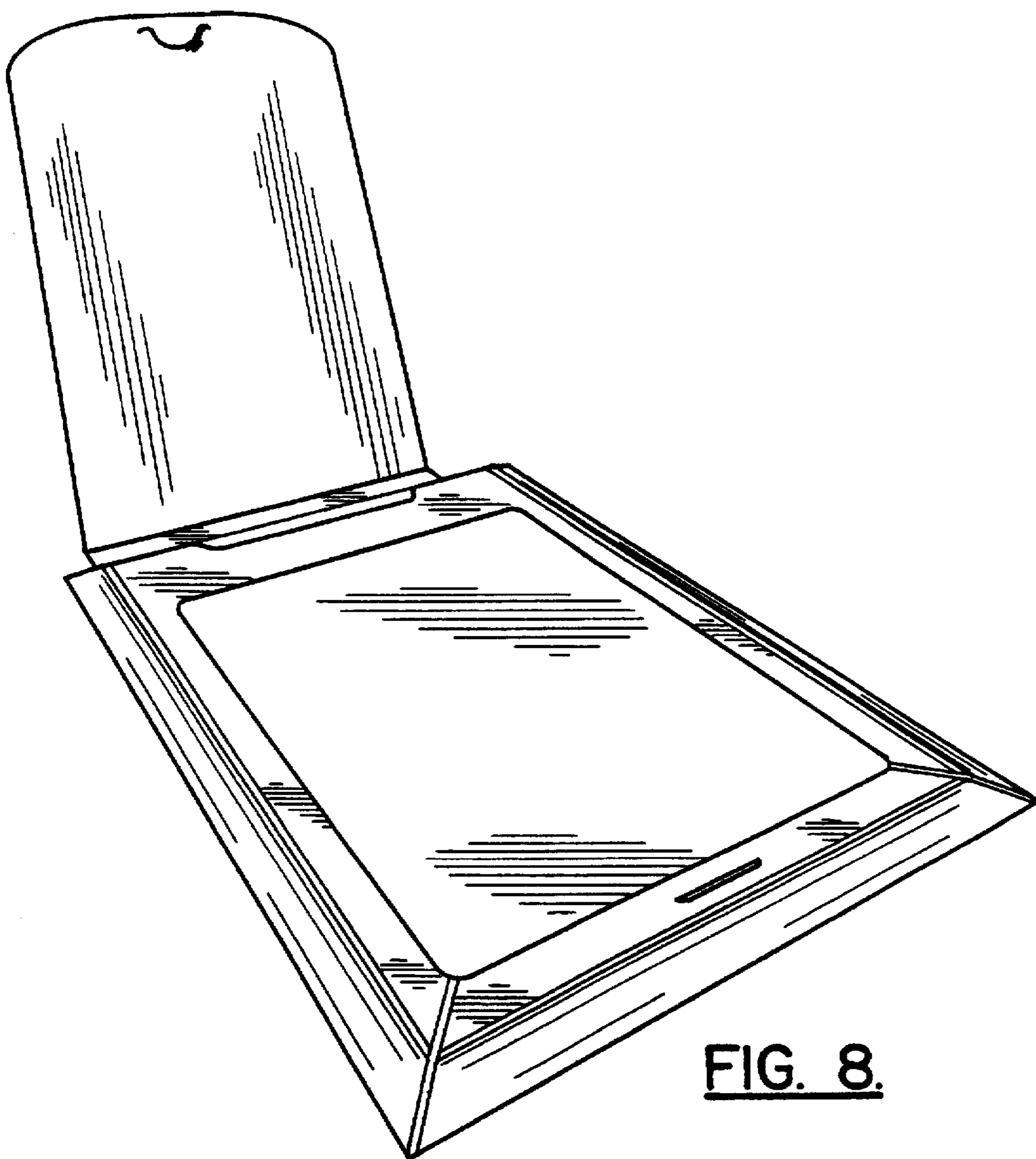


FIG. 8.



FIG. 10.

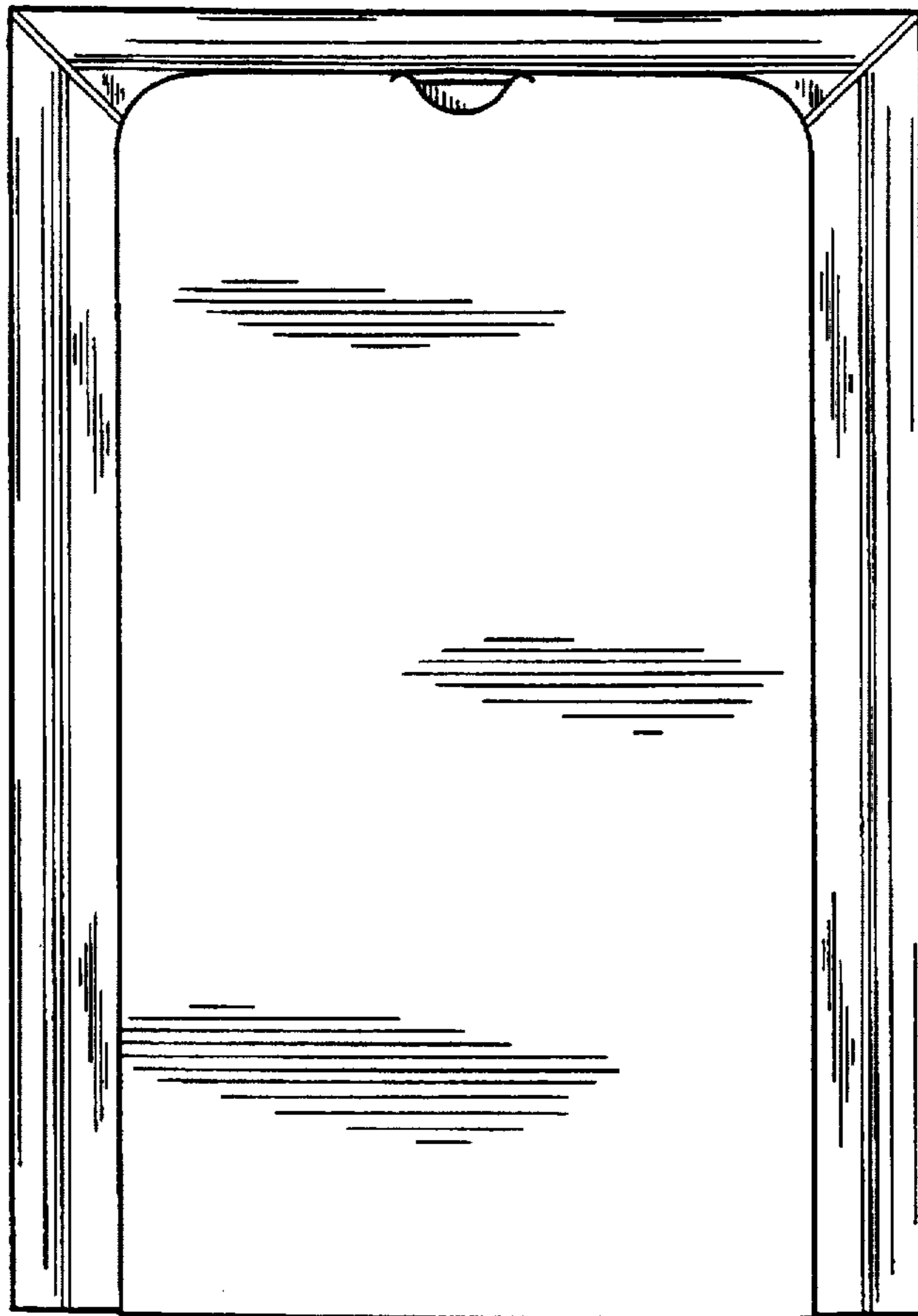


FIG. 9.

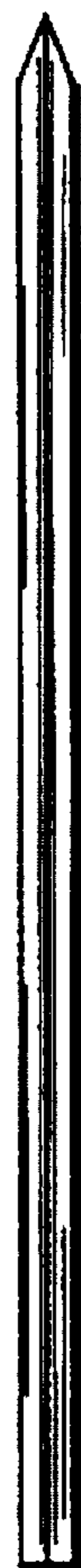


FIG. 11.



FIG. 12.



FIG. 13.

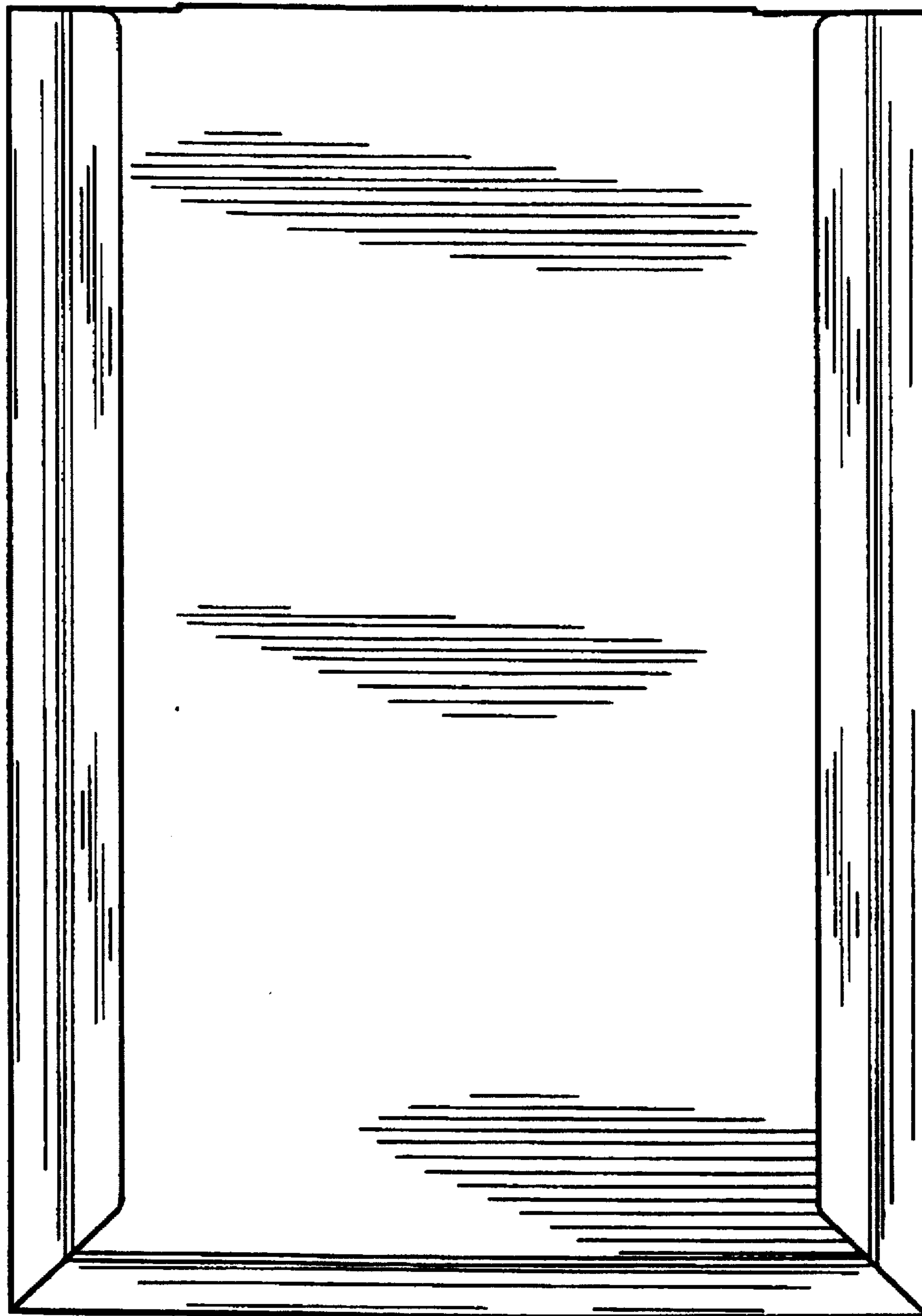


FIG. 14.