



US00D387081S

**United States Patent** [19]  
**Yoshida**

[11] **Patent Number:** **Des. 387,081**  
[45] **Date of Patent:** **\*\*Dec. 2, 1997**

[54] **FILM VIEWER**

[75] **Inventor:** **Koji Yoshida, Tokyo, Japan**  
[73] **Assignee:** **Fuji Photo Film Co., Ltd., Kanagawa, Japan**  
[\*\*] **Term:** **14 Years**

[21] **Appl. No.:** **55,996**  
[22] **Filed:** **Jun. 19, 1996**

[30] **Foreign Application Priority Data**

Jan. 18, 1996 [JP] Japan ..... 8-885  
[51] **LOC (6) Cl.** ..... **16-02**  
[52] **U.S. Cl.** ..... **D16/229; D16/225**  
[58] **Field of Search** ..... **D16/221, 225, D16/227, 229; 40/361-367**

[56] **References Cited**

**U.S. PATENT DOCUMENTS**

D. 199,598 11/1964 Lanigan ..... D16/229  
D. 268,589 4/1983 Miller ..... D16/229

D. 276,618 12/1984 Hanke ..... D16/229  
D. 337,599 7/1993 Miyahara ..... D16/237

**OTHER PUBLICATIONS**

Hong Kong Enterprise, Nov. 1985 p. 70 (Slide Viewer).

*Primary Examiner*—Philip S. Hyder  
*Assistant Examiner*—Adir Aronovich  
*Attorney, Agent, or Firm*—Young & Thompson

[57] **CLAIM**

The ornamental design for a film viewer, as shown.

**DESCRIPTION**

FIG. 1 is a top, front and side perspective view of a film viewer showing my new design;  
FIG. 2 is a front elevational view thereof;  
FIG. 3 is a rear elevational view thereof;  
FIG. 4 is a top plan view thereof;  
FIG. 5 is a bottom plan view thereof;  
FIG. 6 is a side elevational view thereof from the right of FIG. 2; and,  
FIG. 7 is a side elevational view thereof from the left of FIG. 2.

**1 Claim, 4 Drawing Sheets**

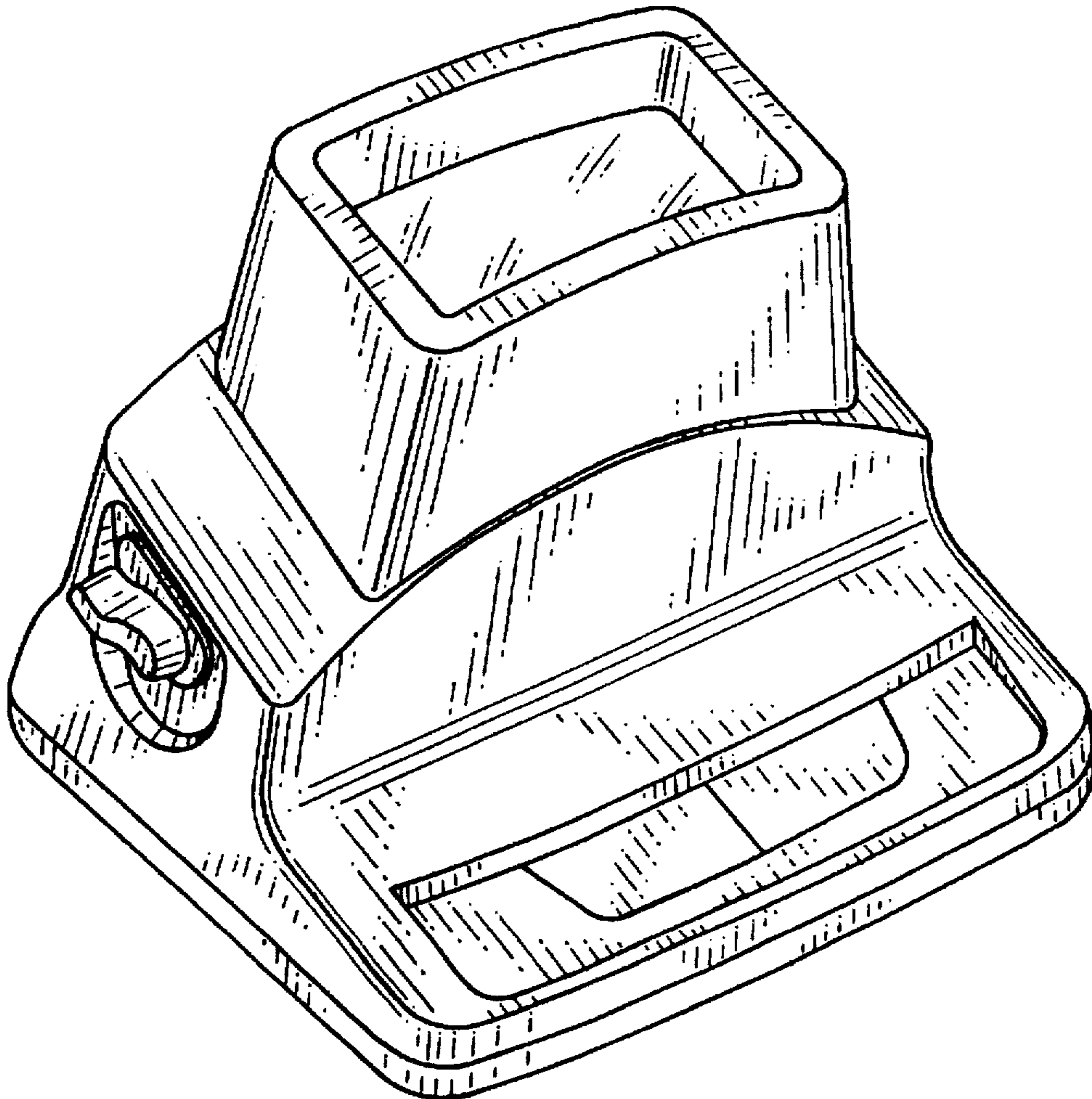


FIG. 1

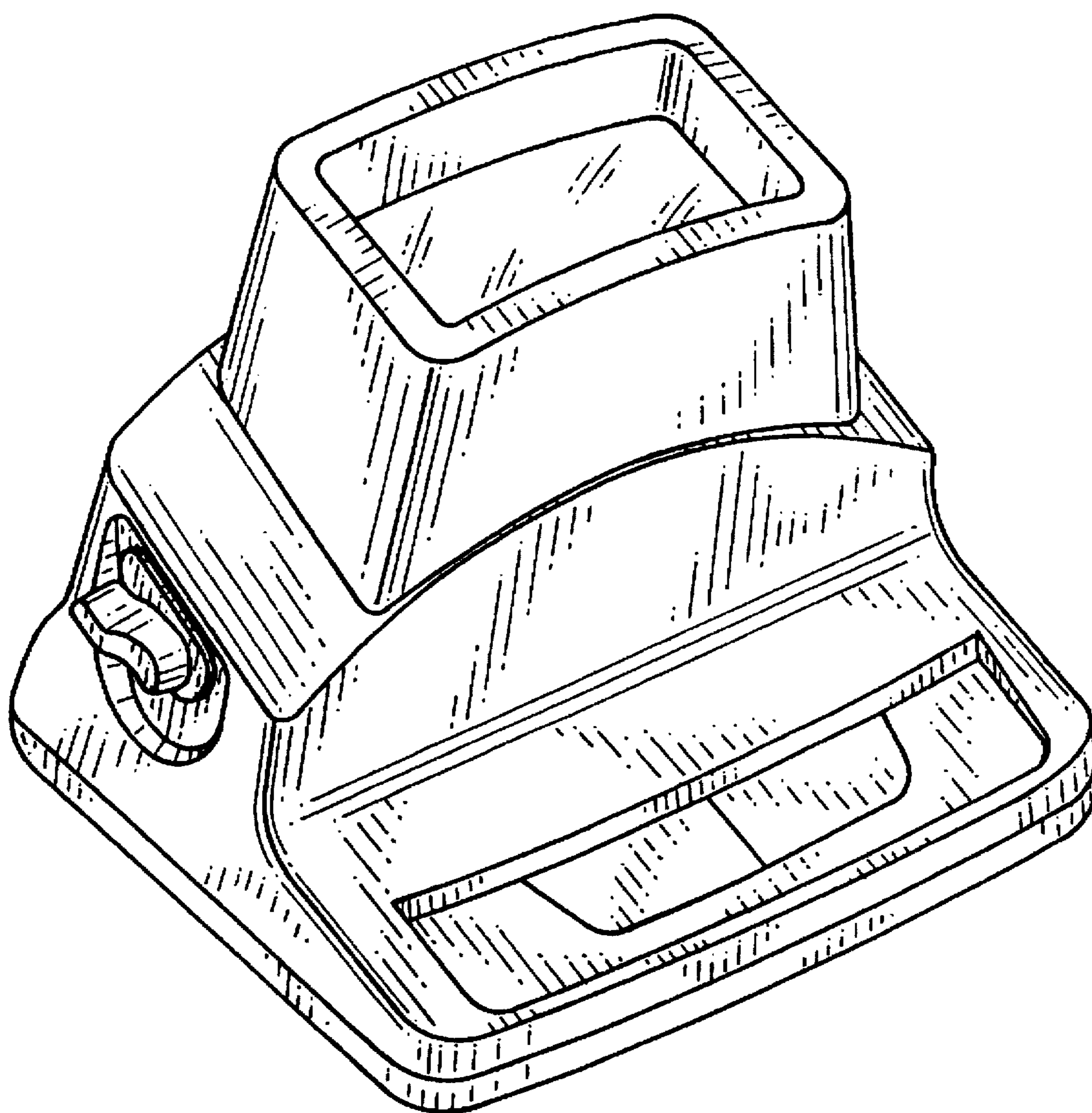


FIG. 2

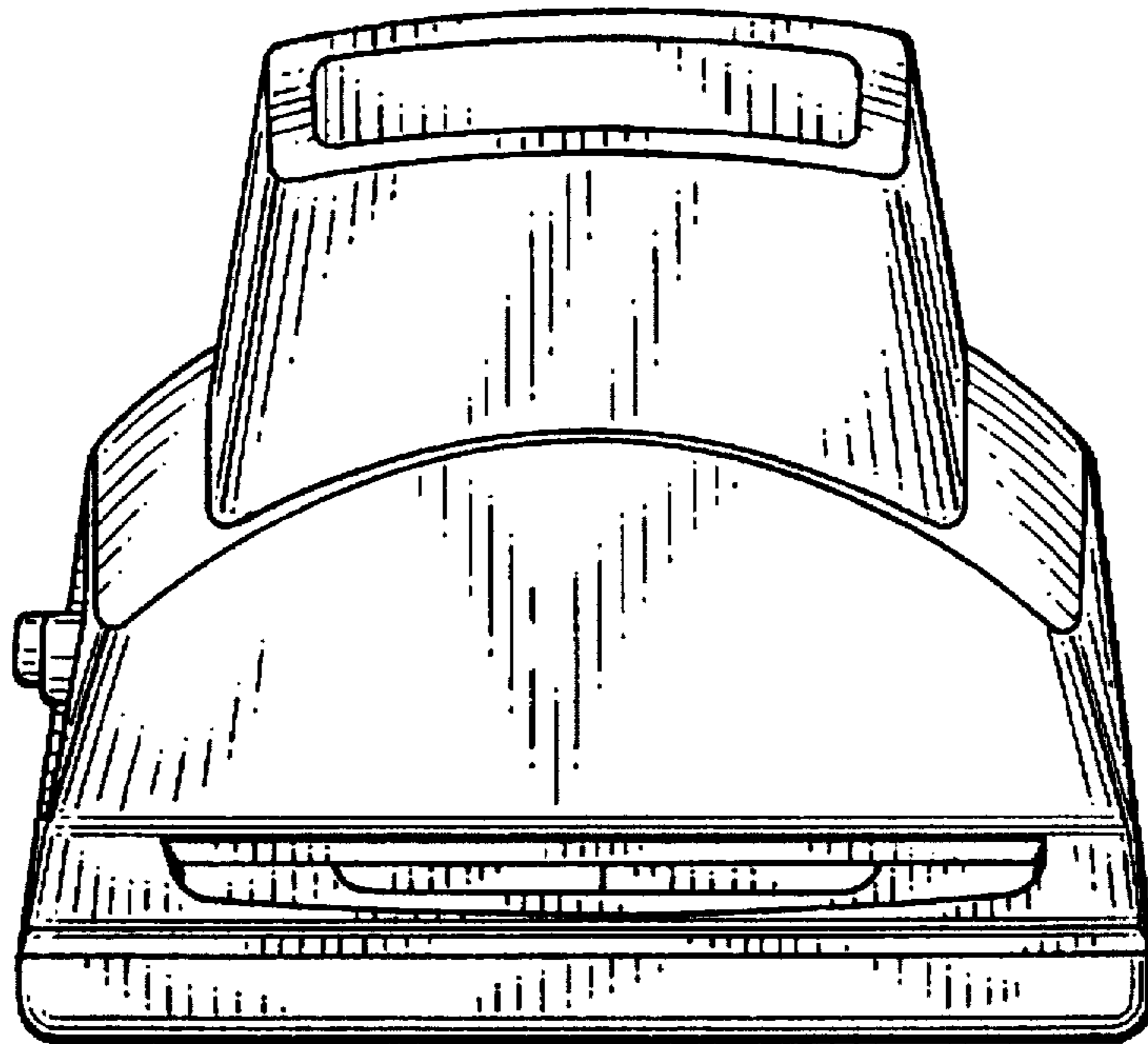


FIG. 3

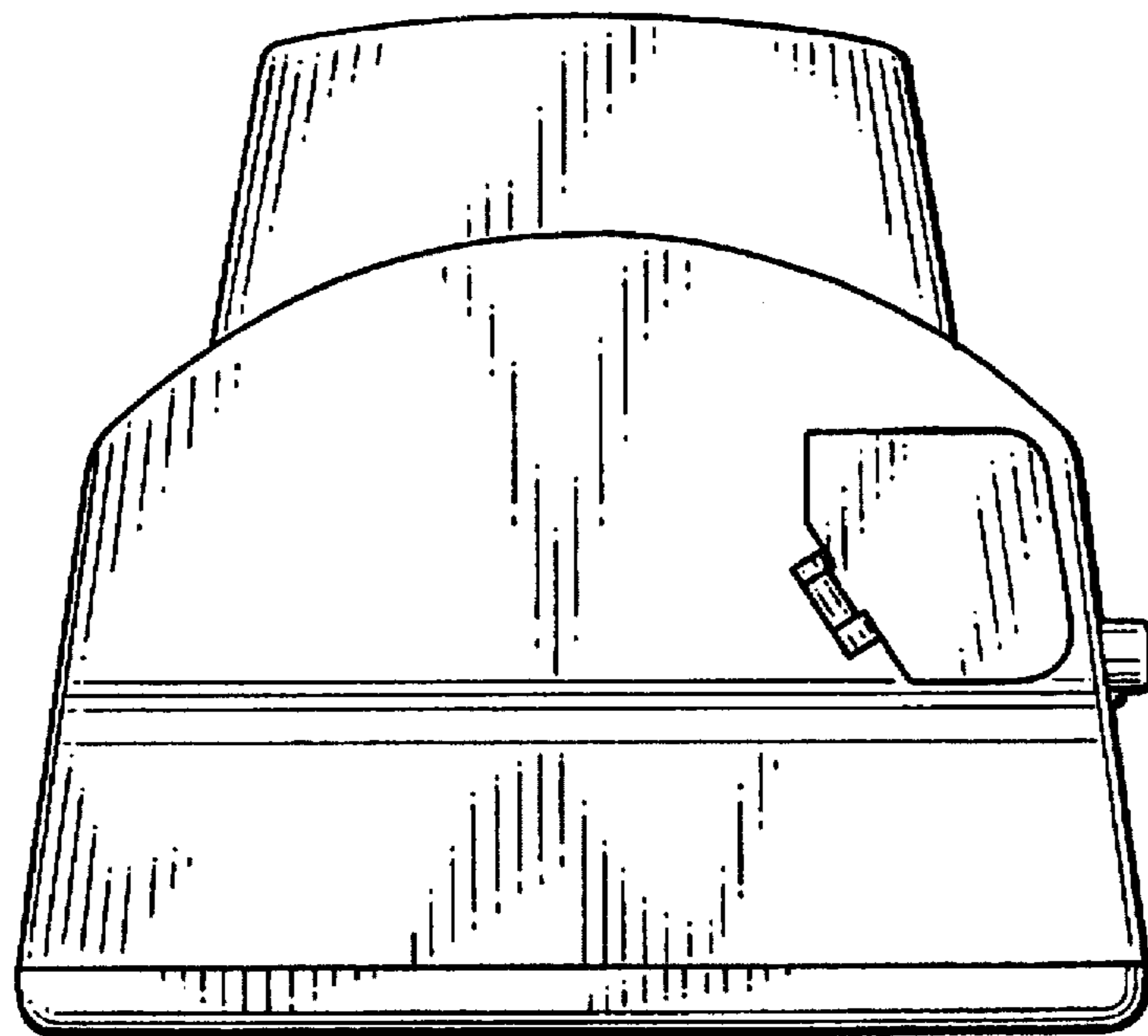


FIG. 4

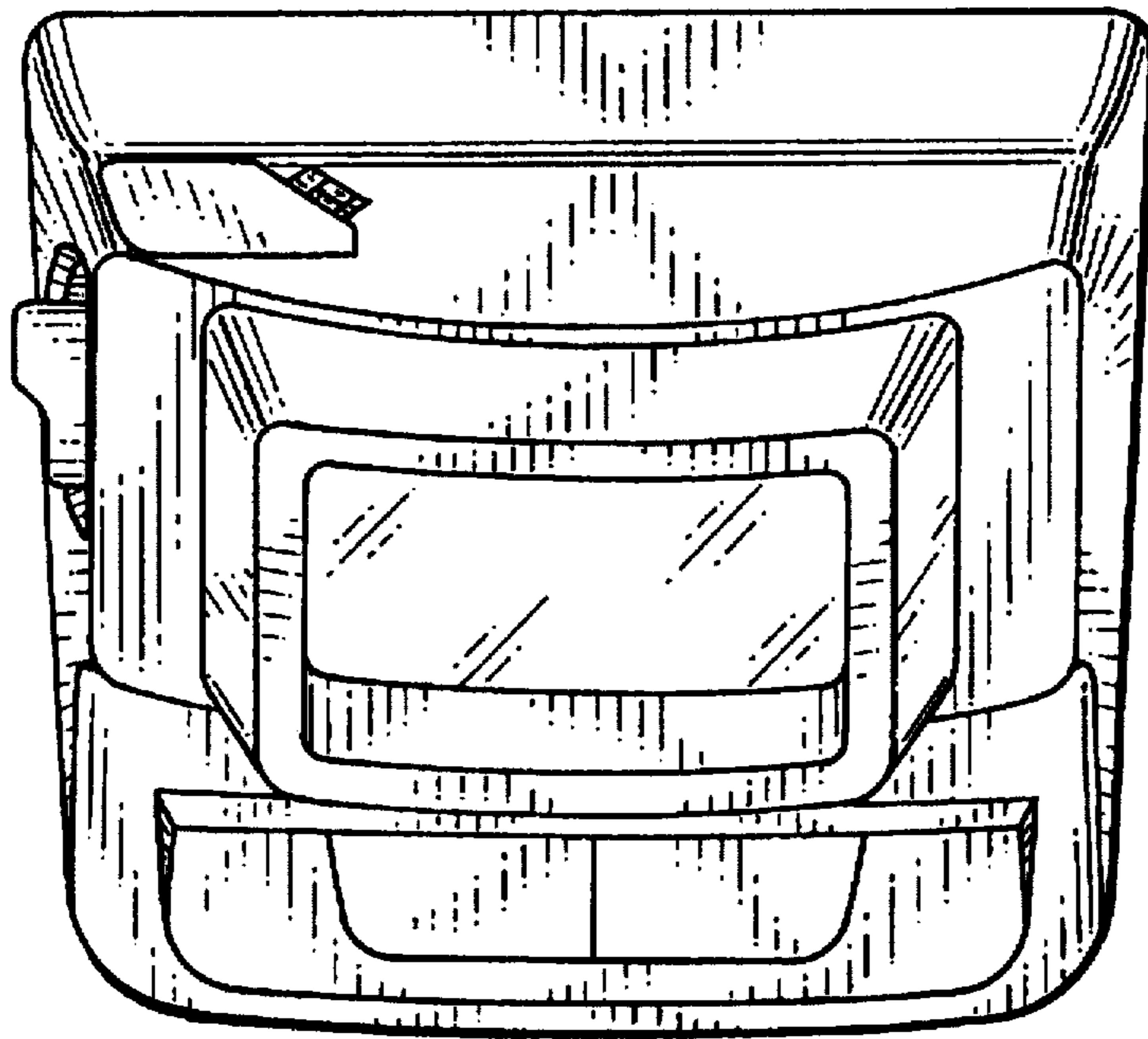


FIG. 5

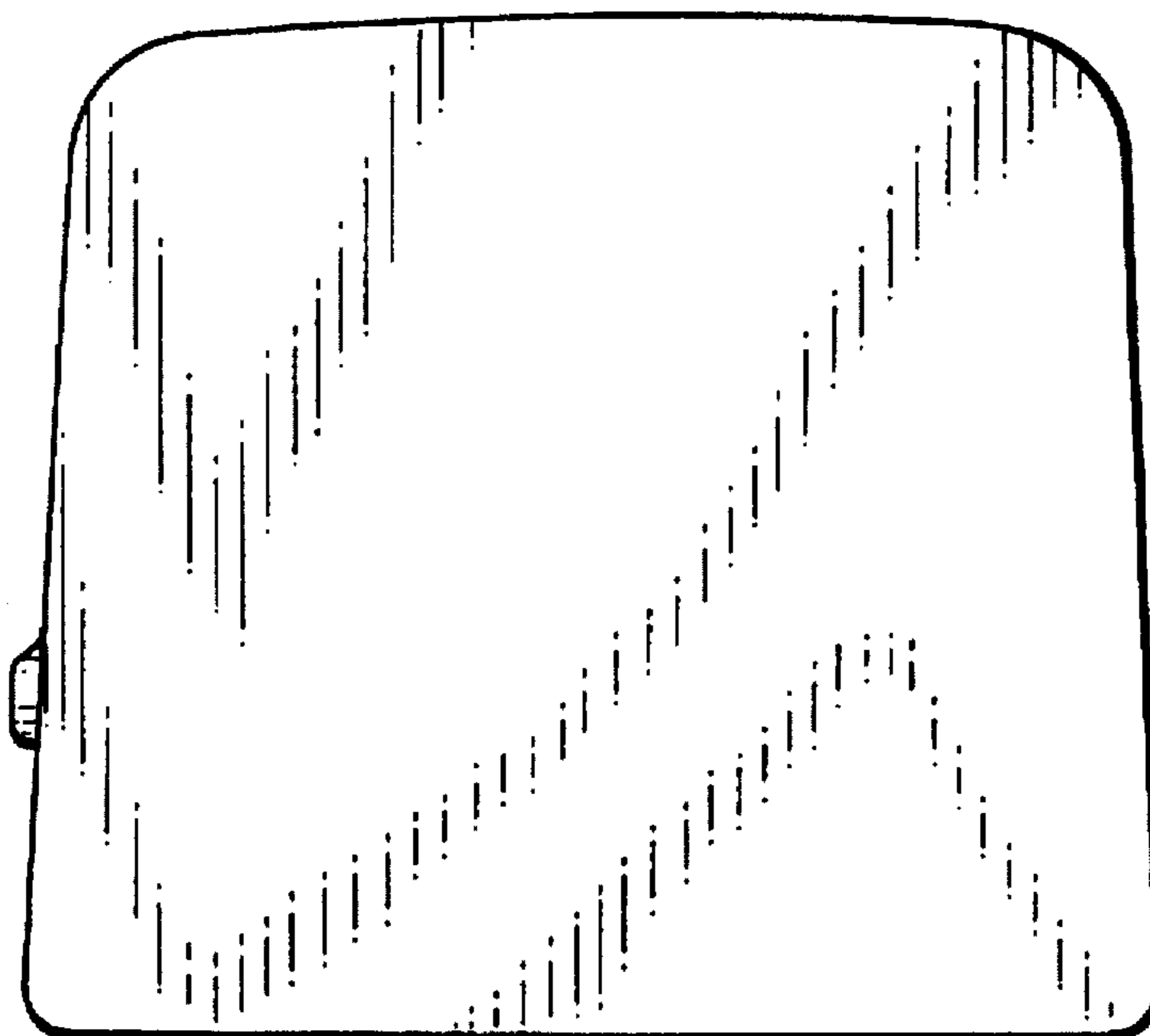


FIG. 6

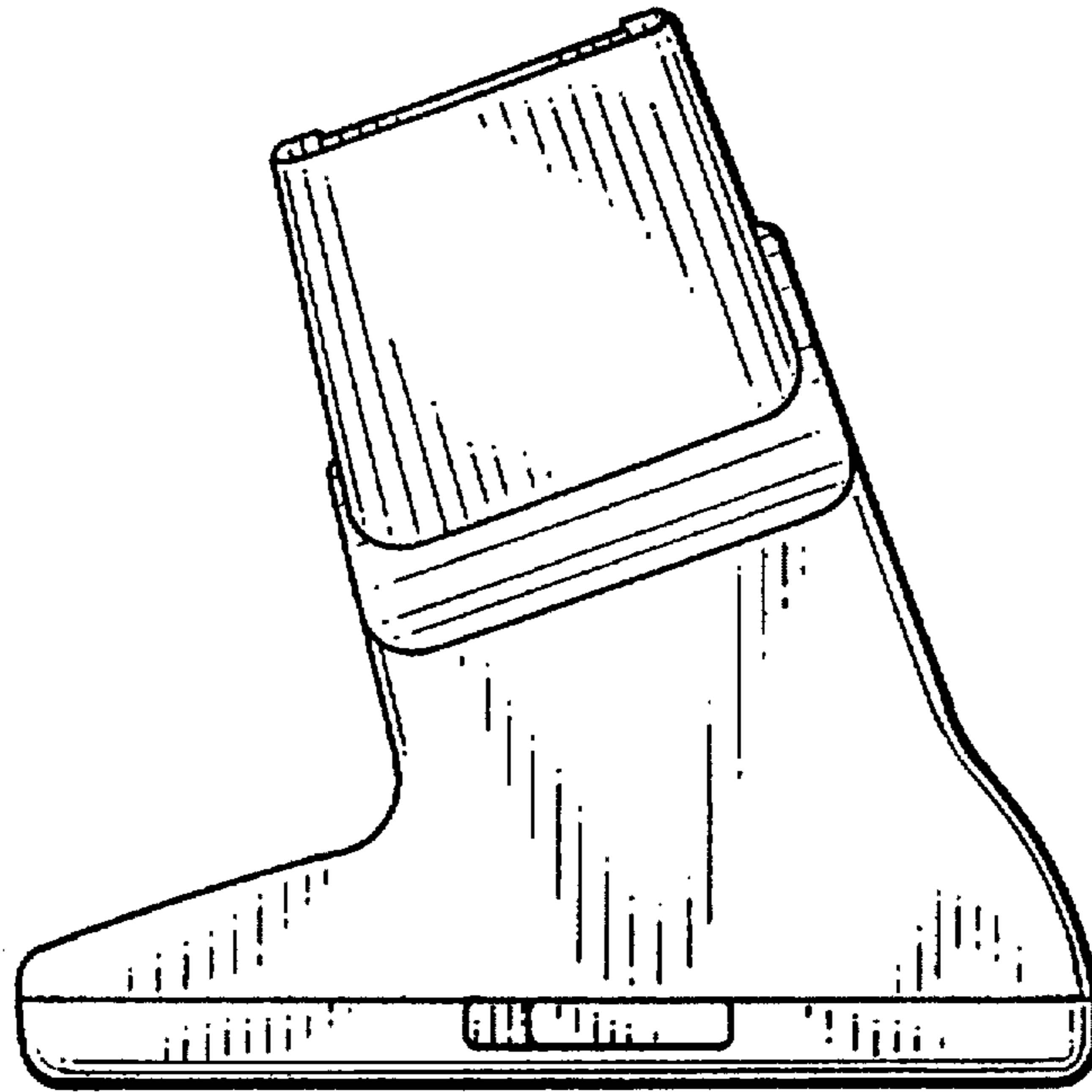


FIG. 7

