



US00D387079S

United States Patent [19]
Horikiri

[11] **Patent Number: Des. 387,079**
[45] **Date of Patent: **Dec. 2, 1997**

[54] **CAMERA**

[75] **Inventor: Kazuhisa Horikiri, Tokyo, Japan**
[73] **Assignee: Fuji Photo Film Co., Ltd., Kanagawa, Japan**
[**] **Term: 14 Years**

[21] **Appl. No.: 50,596**
[22] **Filed: Feb. 7, 1996**

[30] **Foreign Application Priority Data**

Aug. 8, 1995 [JP] Japan 7-23331

[51] **LOC (6) Cl. 16-01**
[52] **U.S. Cl. D16/217; D16/200; D16/202; D16/209**
[58] **Field of Search D16/200-206, D16/208, 209, 216-218; 348/373-376; 354/82, 288; 358/909.1**

[56] **References Cited**

U.S. PATENT DOCUMENTS

D. 304,596	11/1989	Goto	D16/217
D. 314,582	2/1991	Minakawa et al.	D16/217
D. 315,165	3/1991	Leonard et al.	D16/217
D. 315,357	3/1991	Fukutomi	D16/202
D. 330,562	10/1992	Takada et al.	D16/202
4,945,372	7/1990	Higuchi et al.	354/288

OTHER PUBLICATIONS

Popular Photography, May 1988 p. 50 (Chinon's Genesis).
Evans Catalog, 1991-1992 p. 329y (Olympus IS-1 Camera, Item No.3).

Primary Examiner—Philip S. Hyder
Assistant Examiner—Adir Aronovich
Attorney, Agent, or Firm—Young & Thompson

[57] **CLAIM**

The ornamental design for a camera, as shown and described.

DESCRIPTION

FIG. 1 is a top, front and side perspective view of a camera showing my new design;
FIG. 2 is a front elevational view thereof;
FIG. 3 is a rear elevational view thereof;
FIG. 4 is a top plan view thereof;
FIG. 5 is a bottom plan view thereof;
FIG. 6 is a side elevational view thereof from the right of FIG. 2;
FIG. 7 is a side elevational view thereof from the left of FIG. 2;
FIG. 8 is a view thereof similar to FIG. 2, but with a flash attachment extended; and,
FIG. 9 is a side elevational view thereof taken from the right of FIG. 8.

1 Claim, 7 Drawing Sheets

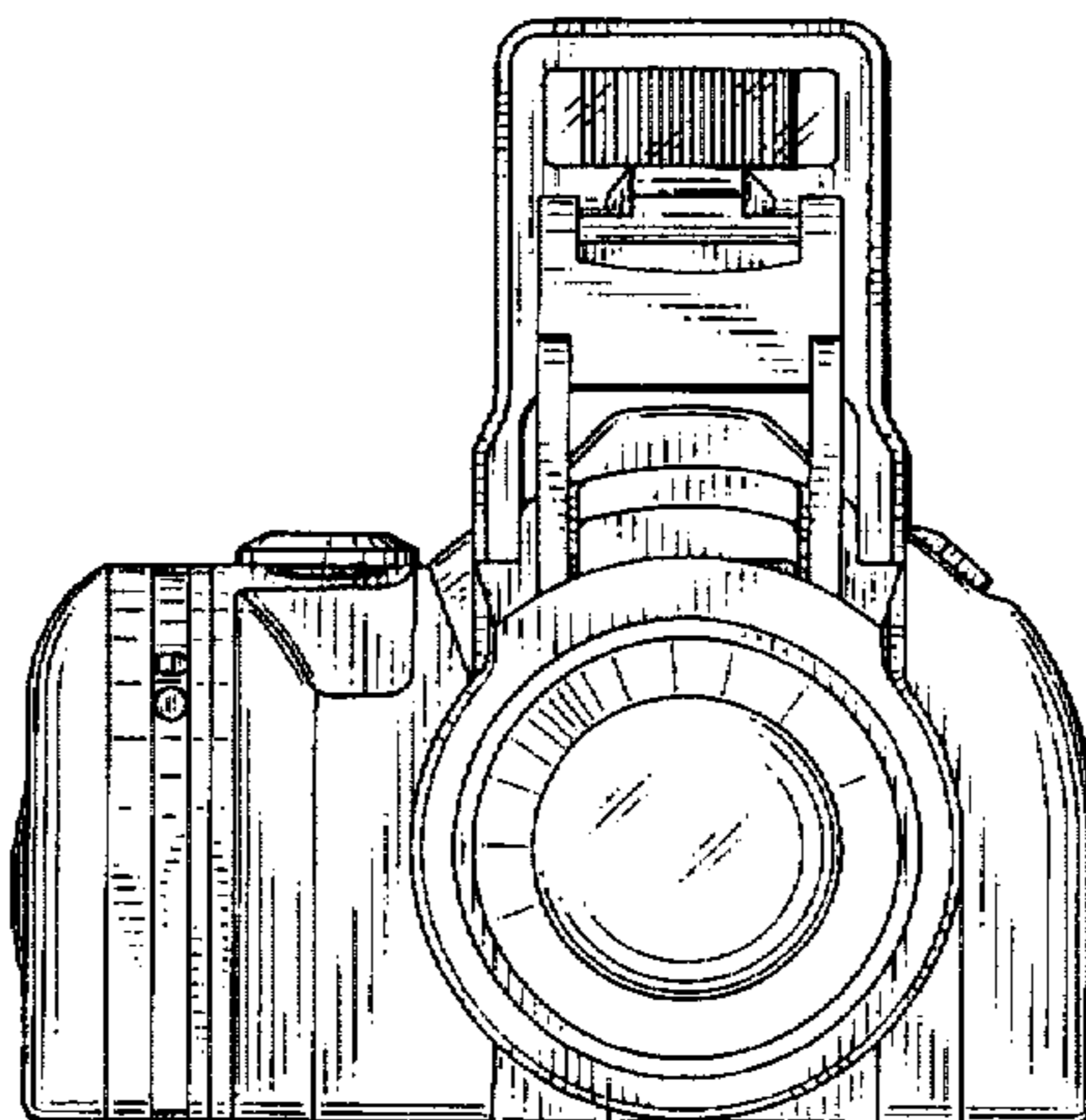
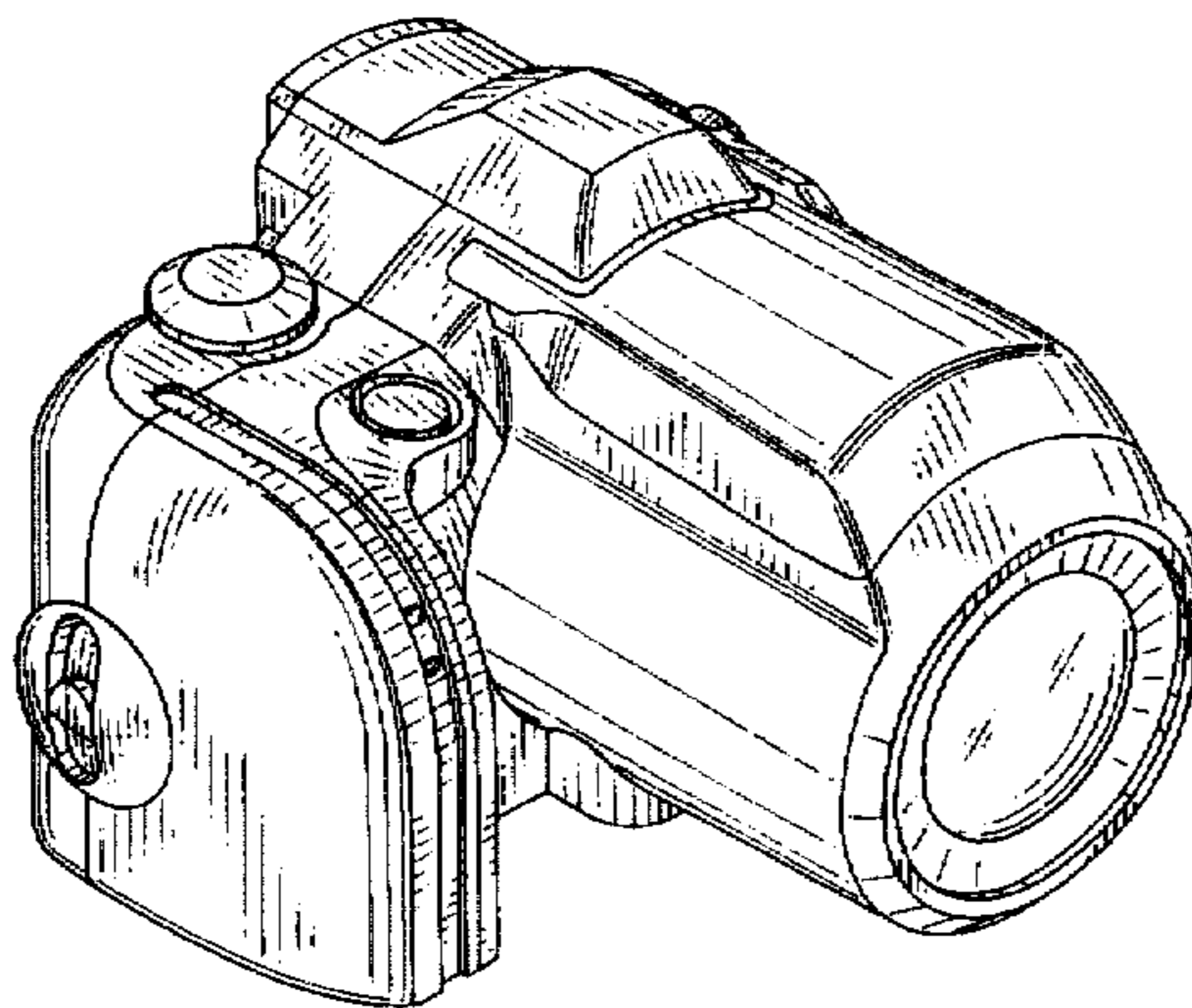


FIG. 1

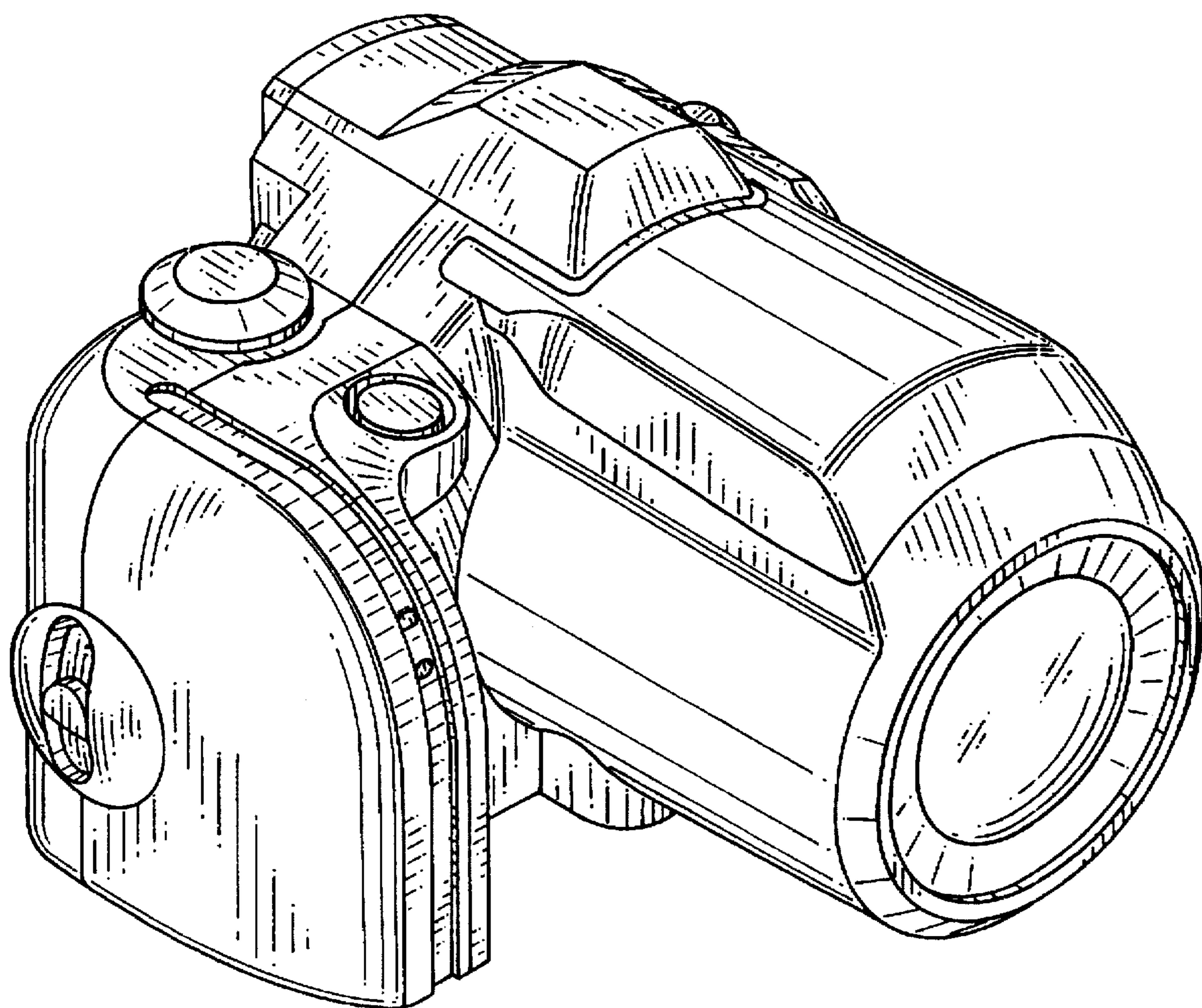


FIG. 2

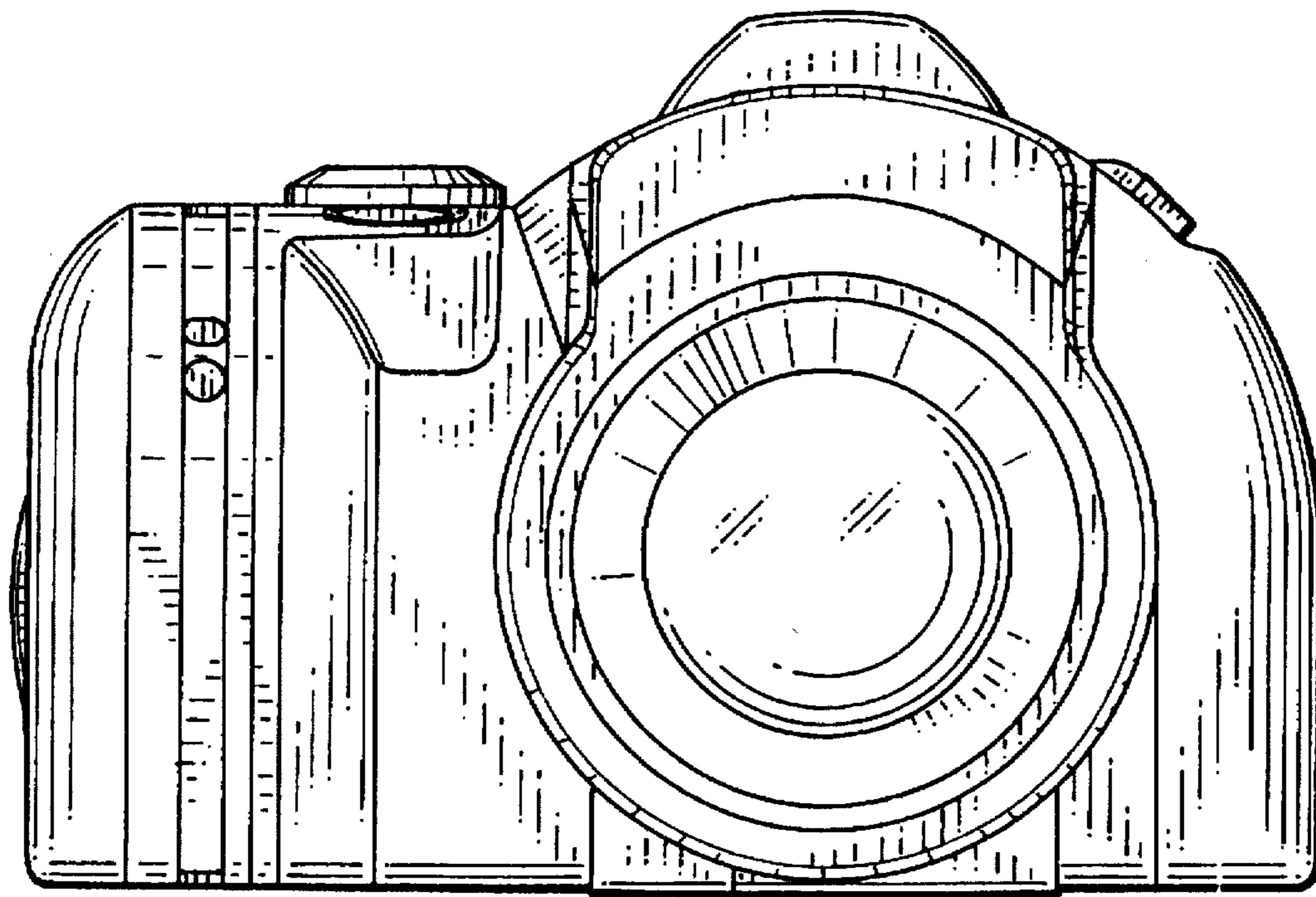


FIG. 3

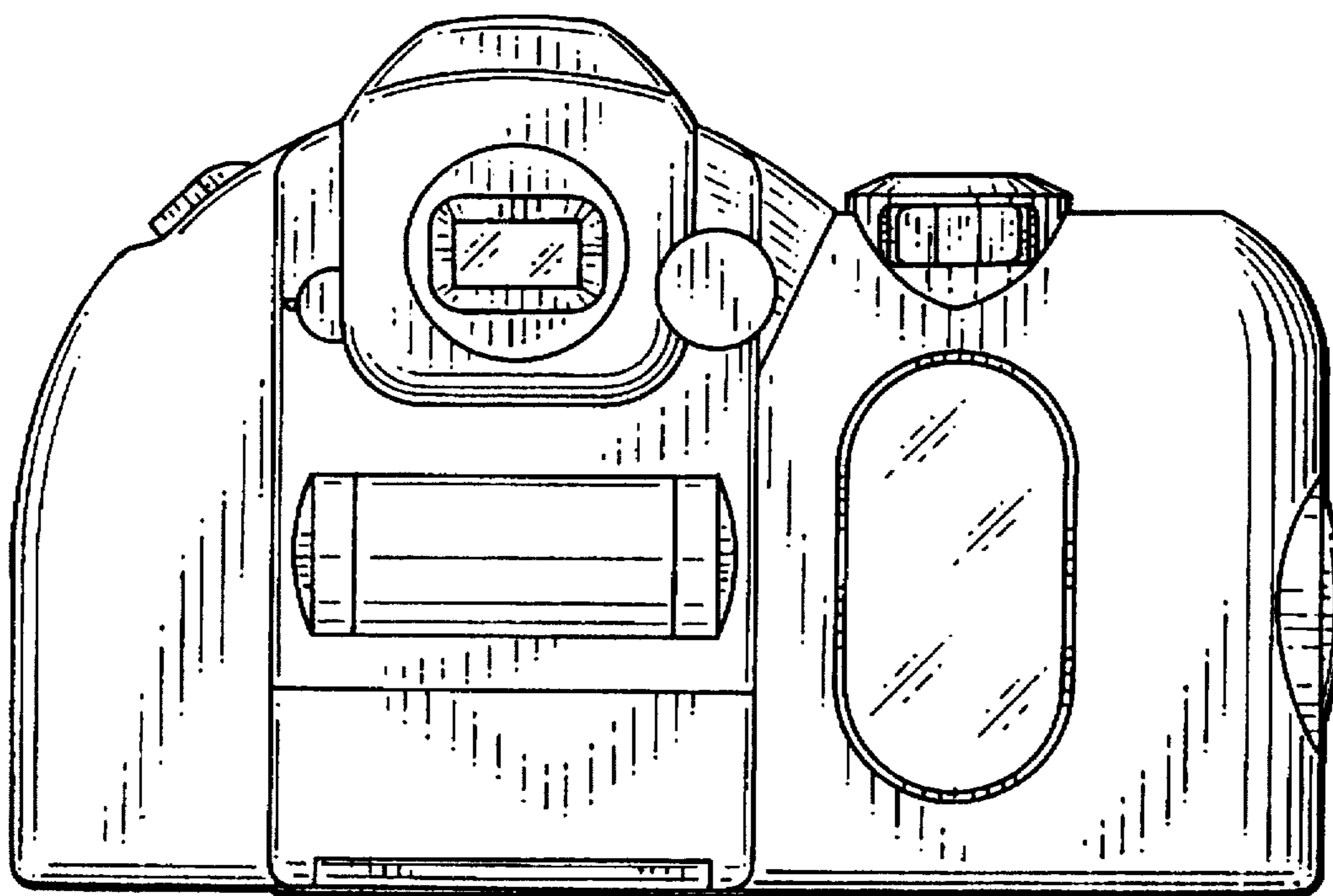


FIG. 4

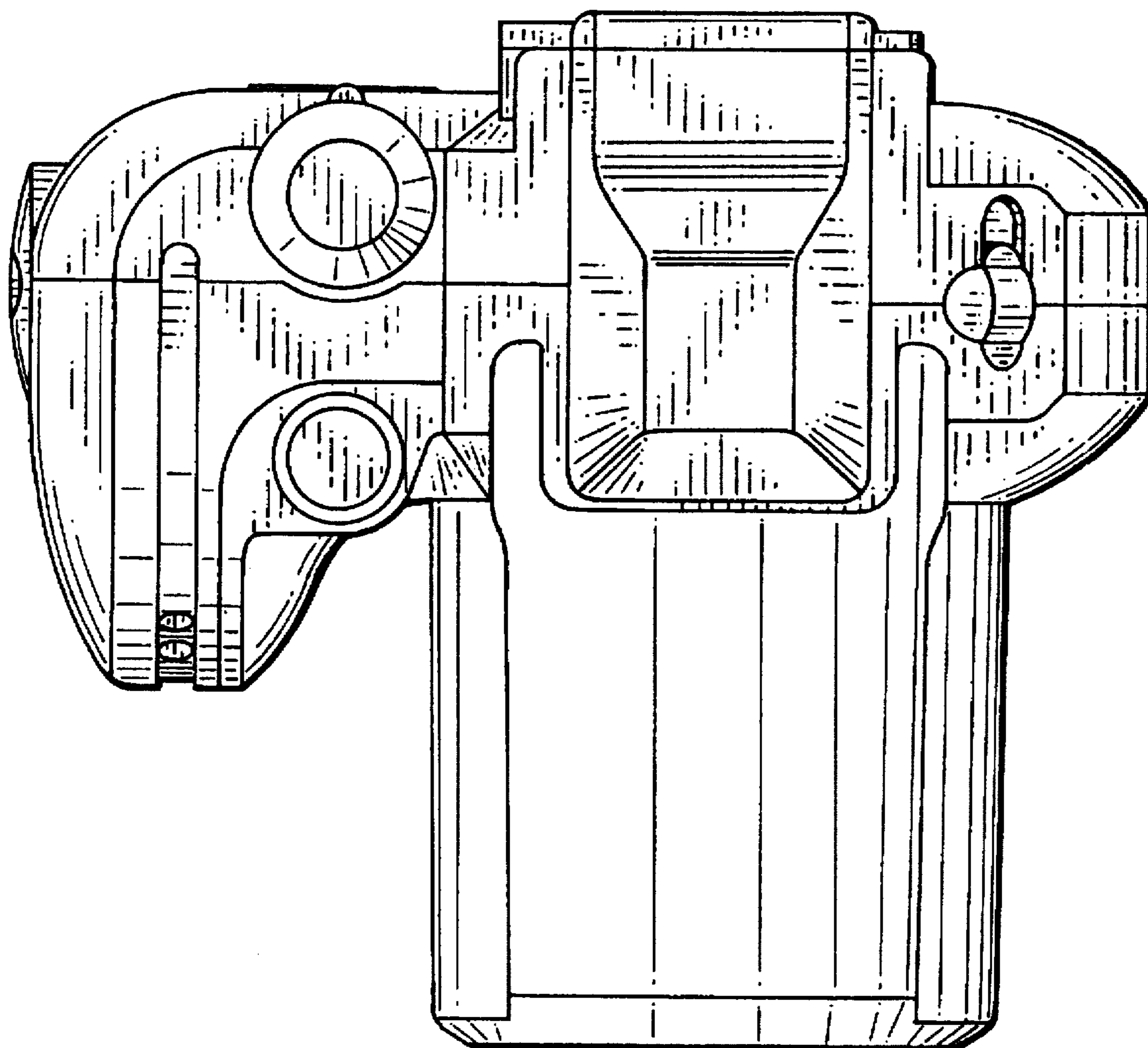


FIG. 5

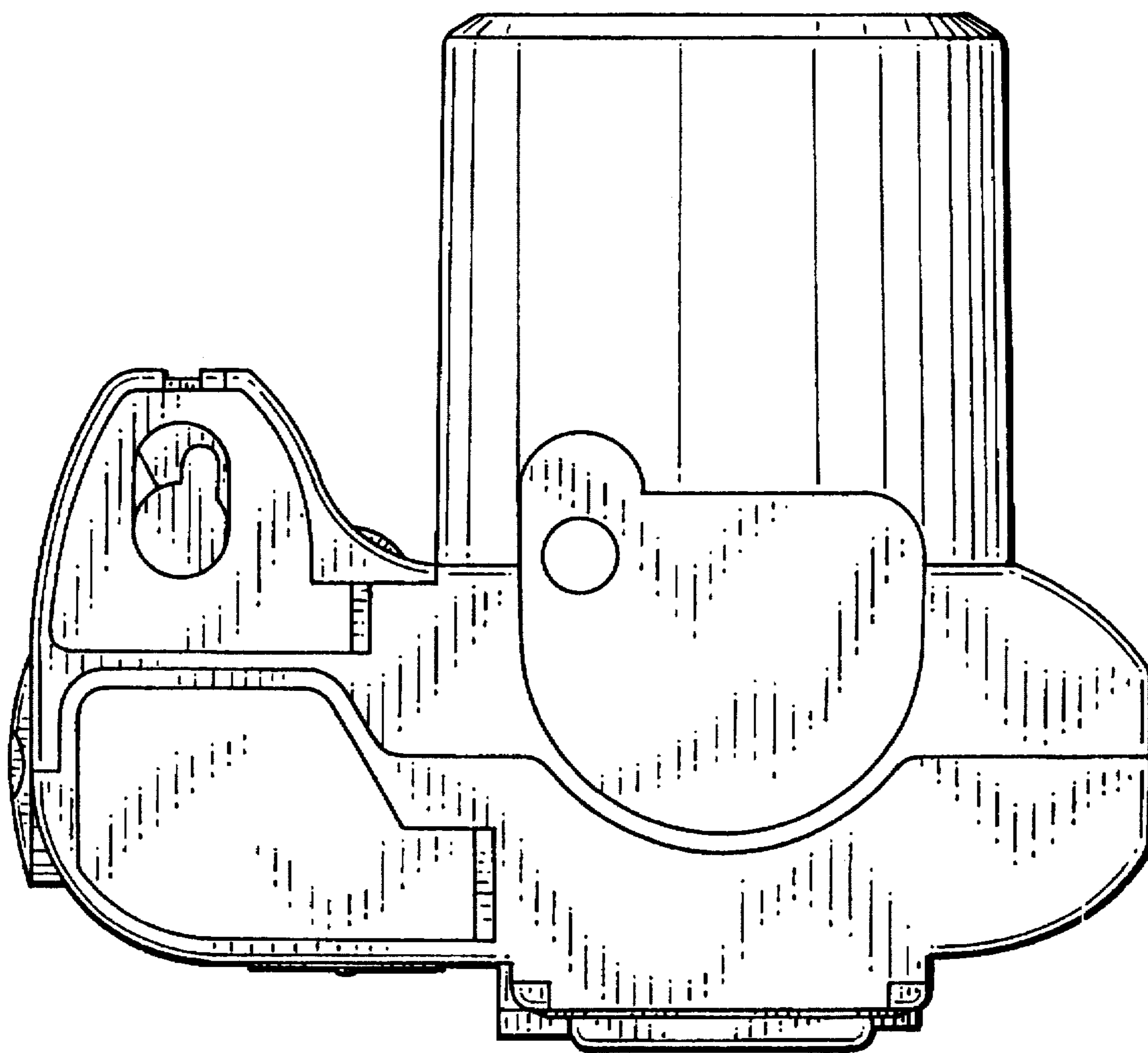


FIG. 6

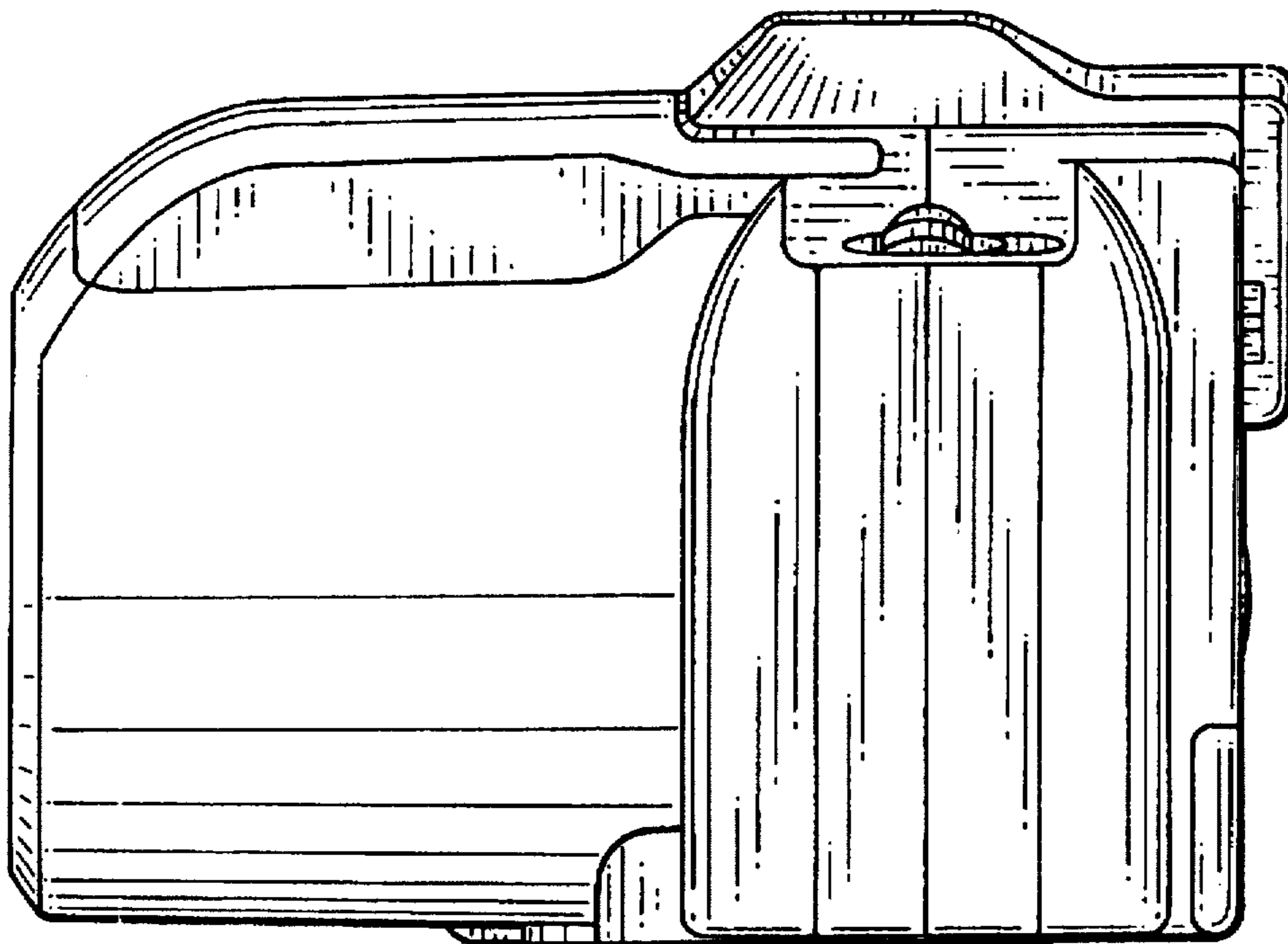


FIG. 7

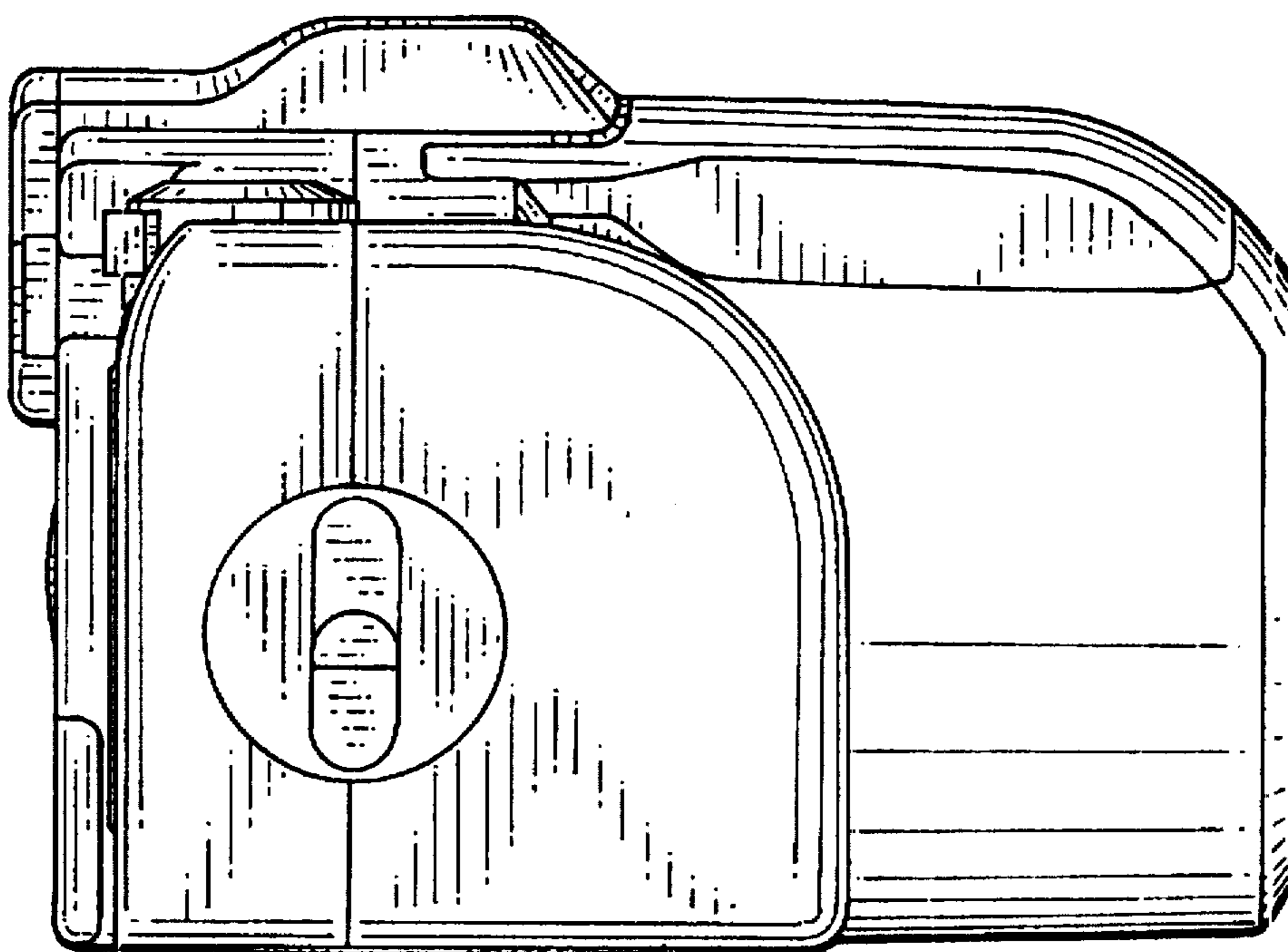


FIG. 8

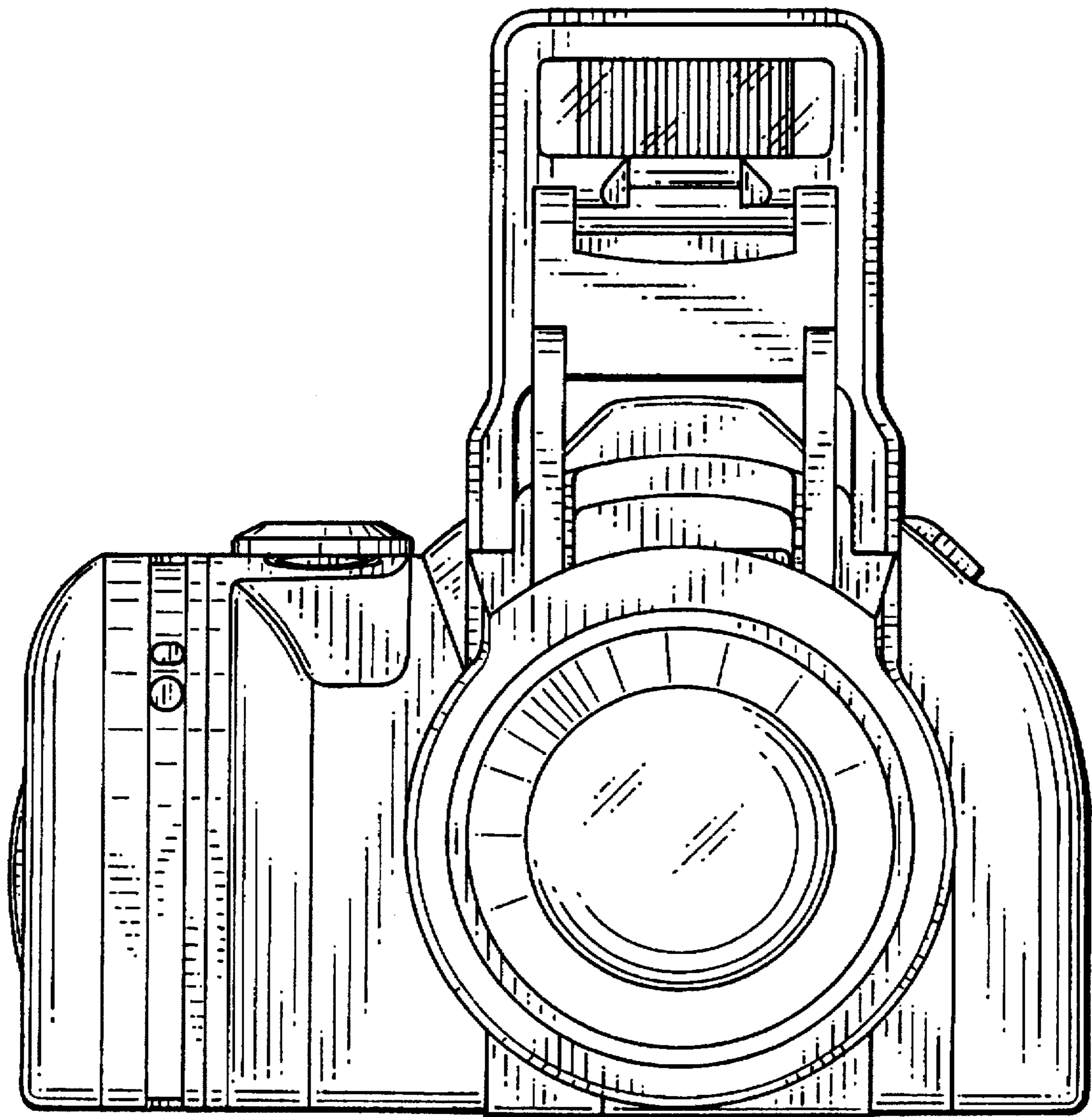


FIG. 9

