



US00D387077S

# United States Patent [19]

[11] Patent Number: **Des. 387,077**

Lee

[45] Date of Patent: **\*\*Dec. 2, 1997**

[54] **PAIR OF BINOCULARS**

[76] Inventor: **Li-hwa Lee**, 8th Fl.-2, No. 111, Sec. 2, Nanking E. Rd., Taipei, Taiwan

[\*\*] Term: **14 Years**

[21] Appl. No.: **61,877**

[22] Filed: **Nov. 1, 1996**

[51] LOC (6) Cl. .... **16-06**

[52] U.S. Cl. .... **D16/133**

[58] Field of Search ..... D16/130, 132, D16/133; 354/176, 179; 356/142, 545; 359/353, 399, 405, 407, 409, 411, 412, 413, 415, 417, 419, 420, 480, 804, 809, 816

[56] **References Cited**

**U.S. PATENT DOCUMENTS**

D. 223,298 4/1972 Senda ..... D16/133

D. 298,261	10/1988	Ogasawara	.....	D16/133
D. 320,026	9/1991	Lee	.....	D16/133
D. 367,662	3/1996	Chan	.....	D16/133
D. 376,165	12/1996	Takahashi	.....	D16/133
4,674,847	6/1987	Iwaoka	.....	359/414

*Primary Examiner*—Paula A. Mortimer  
*Attorney, Agent, or Firm*—Morton J. Rosenberg; David I. Klein

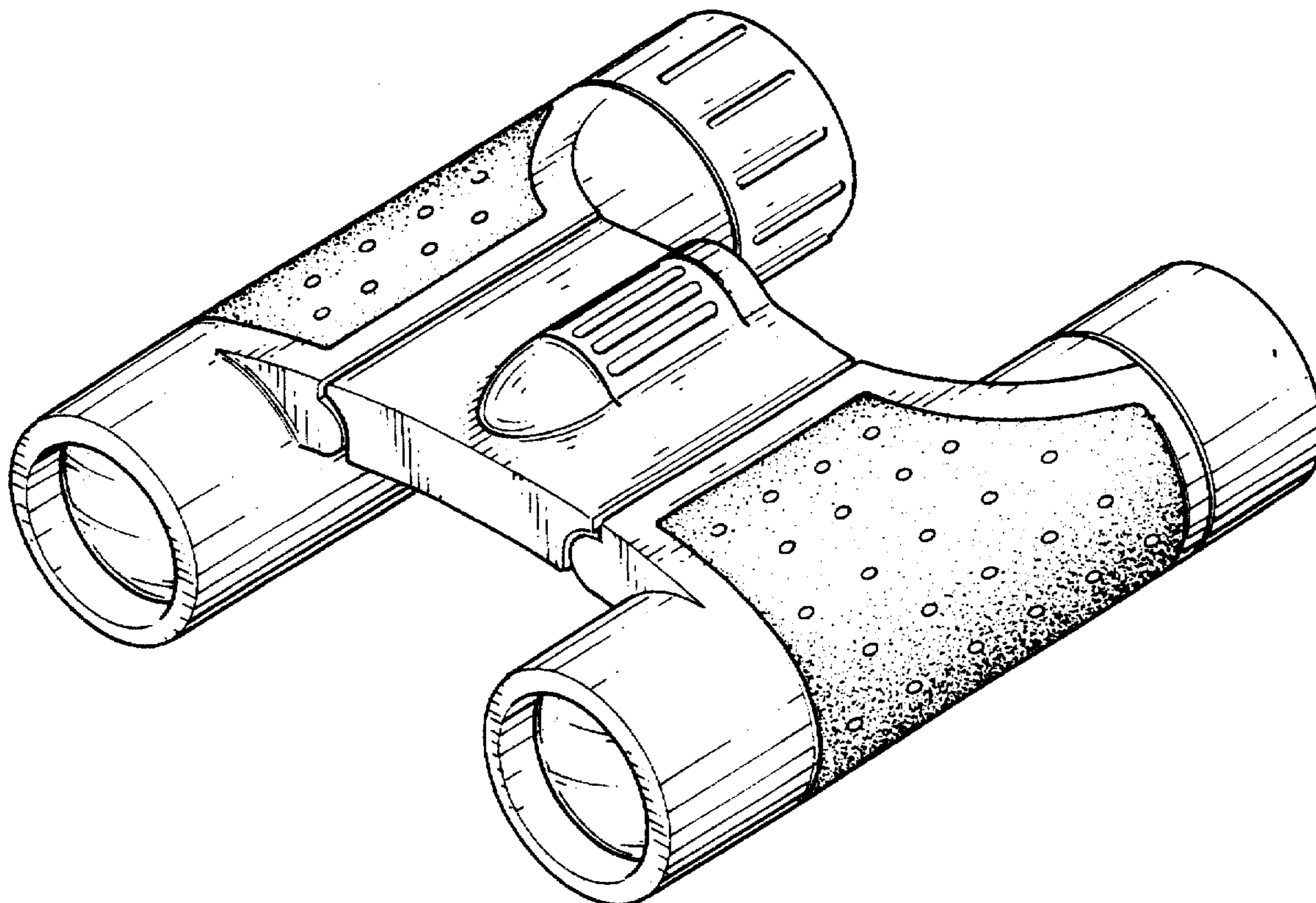
[57] **CLAIM**

The ornamental design for a pair of binoculars, as shown.

**DESCRIPTION**

FIG. 1 is a perspective view from the front, top and right side of a pair of binoculars showing my new design; FIG. 2 is a front elevational view thereof; FIG. 3 is a rear elevational view thereof; FIG. 4 is a left side elevational view thereof; FIG. 5 is a right side elevational view thereof; FIG. 6 is a top plan view thereof; and, FIG. 7 is a bottom plan view thereof.

**1 Claim, 4 Drawing Sheets**



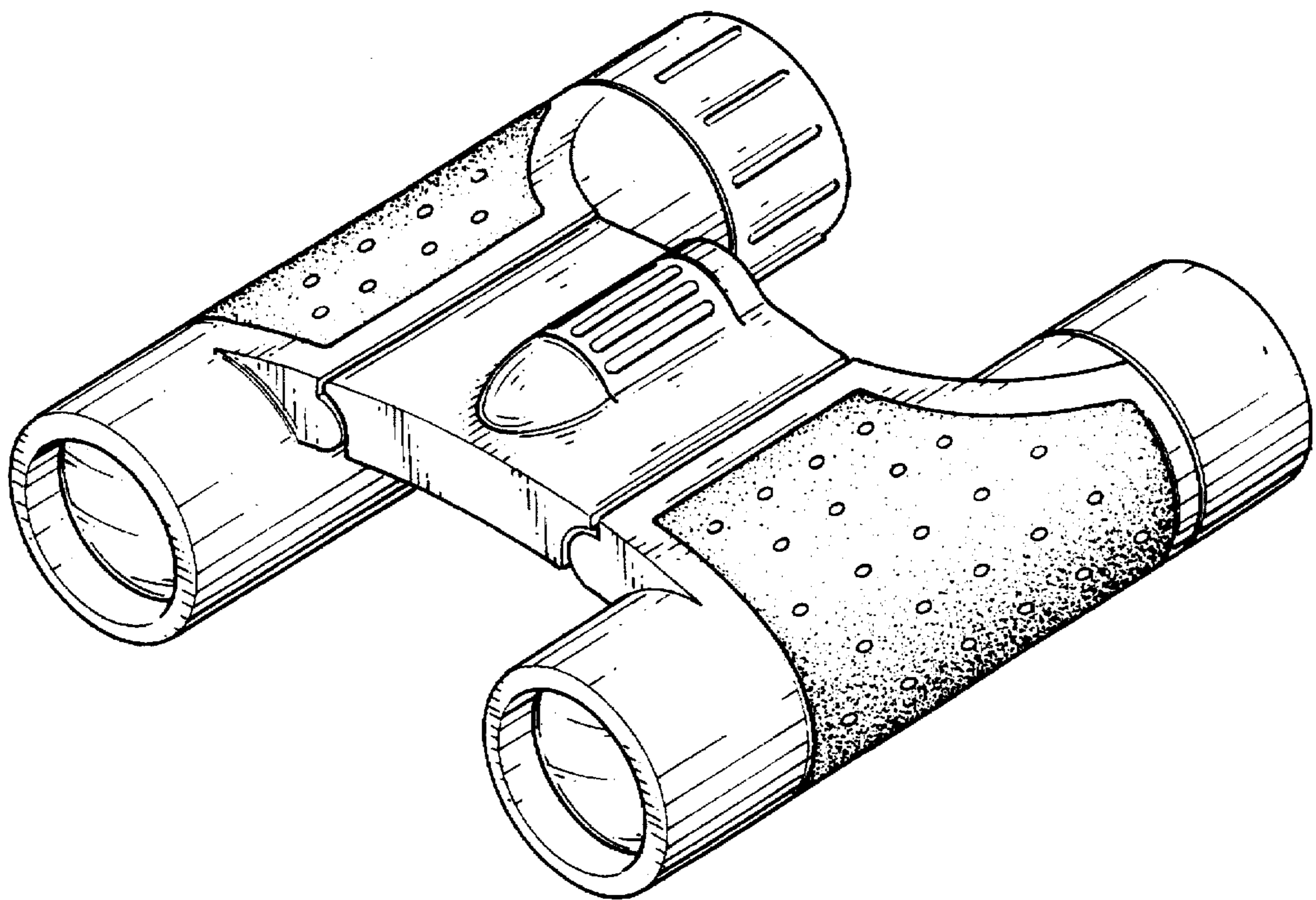


FIG. 1

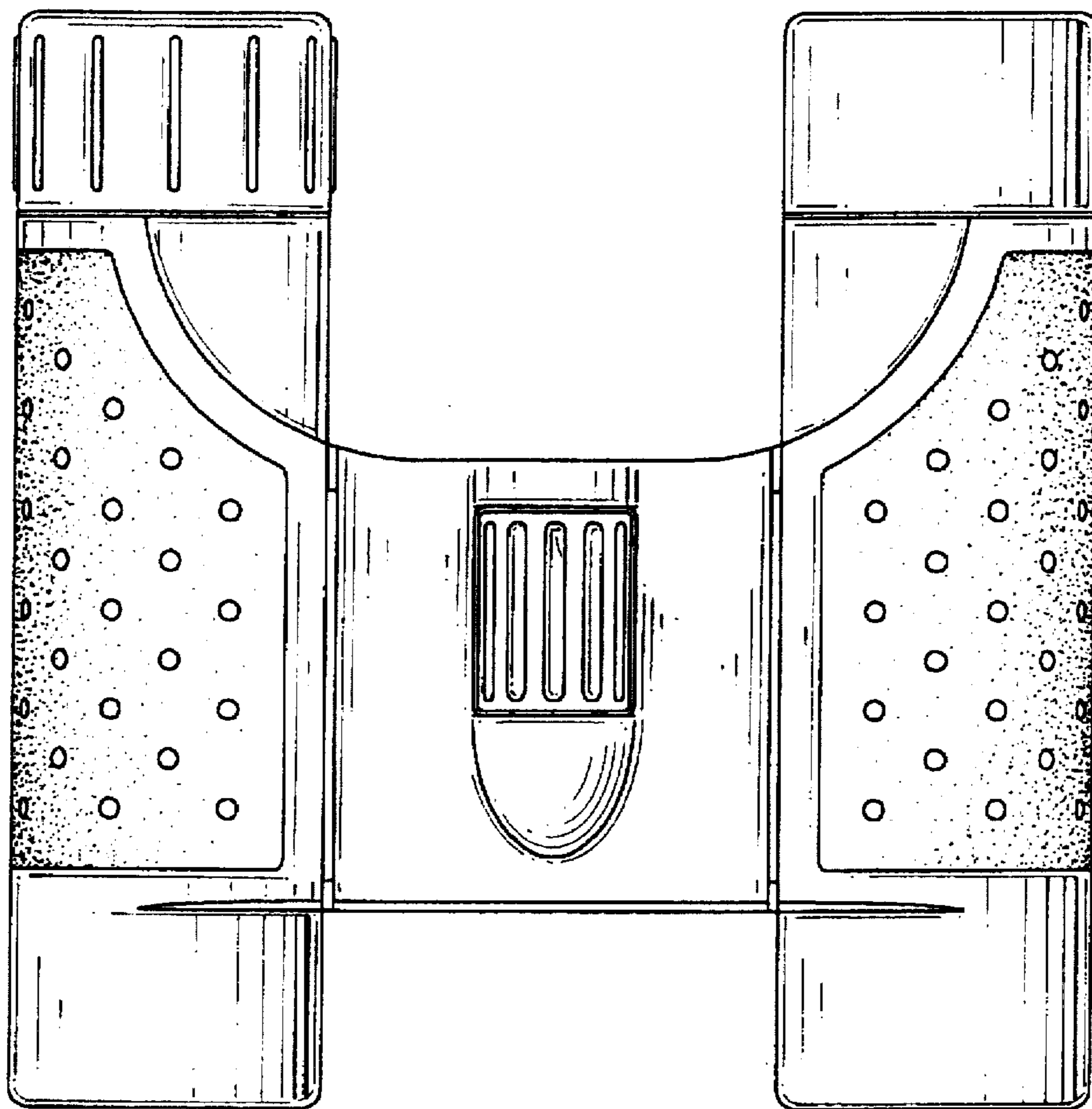


FIG. 6

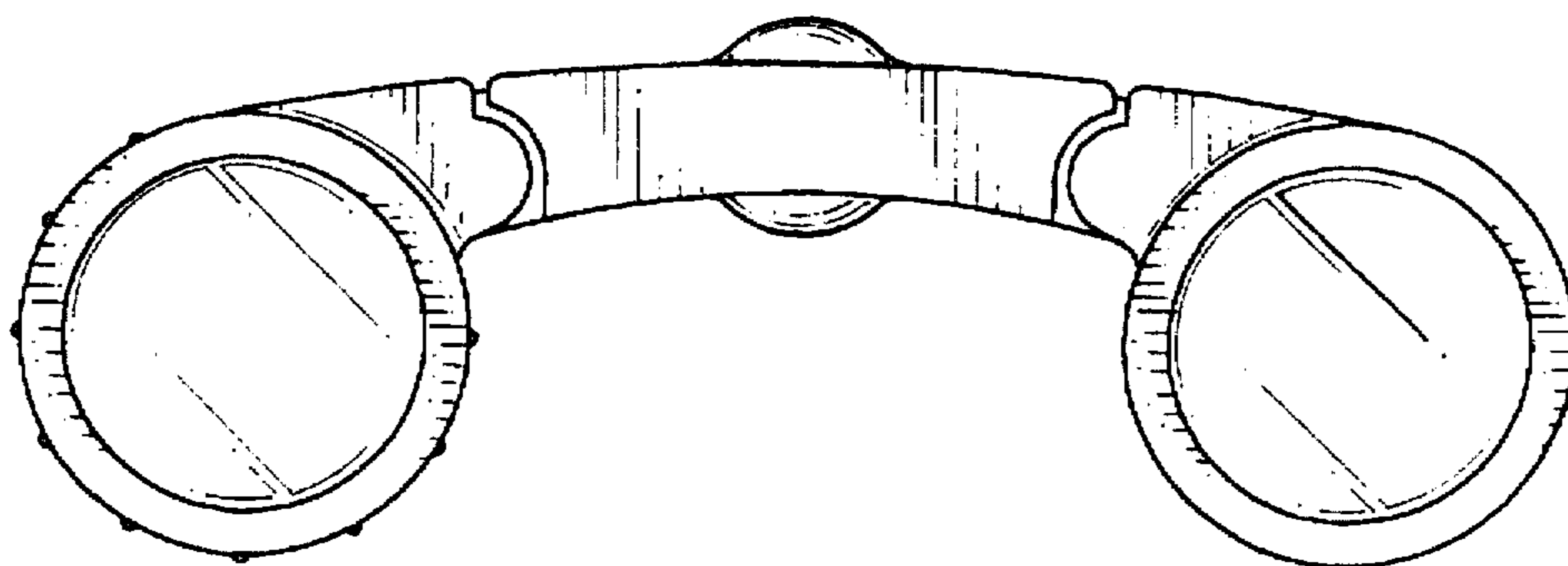


FIG. 2

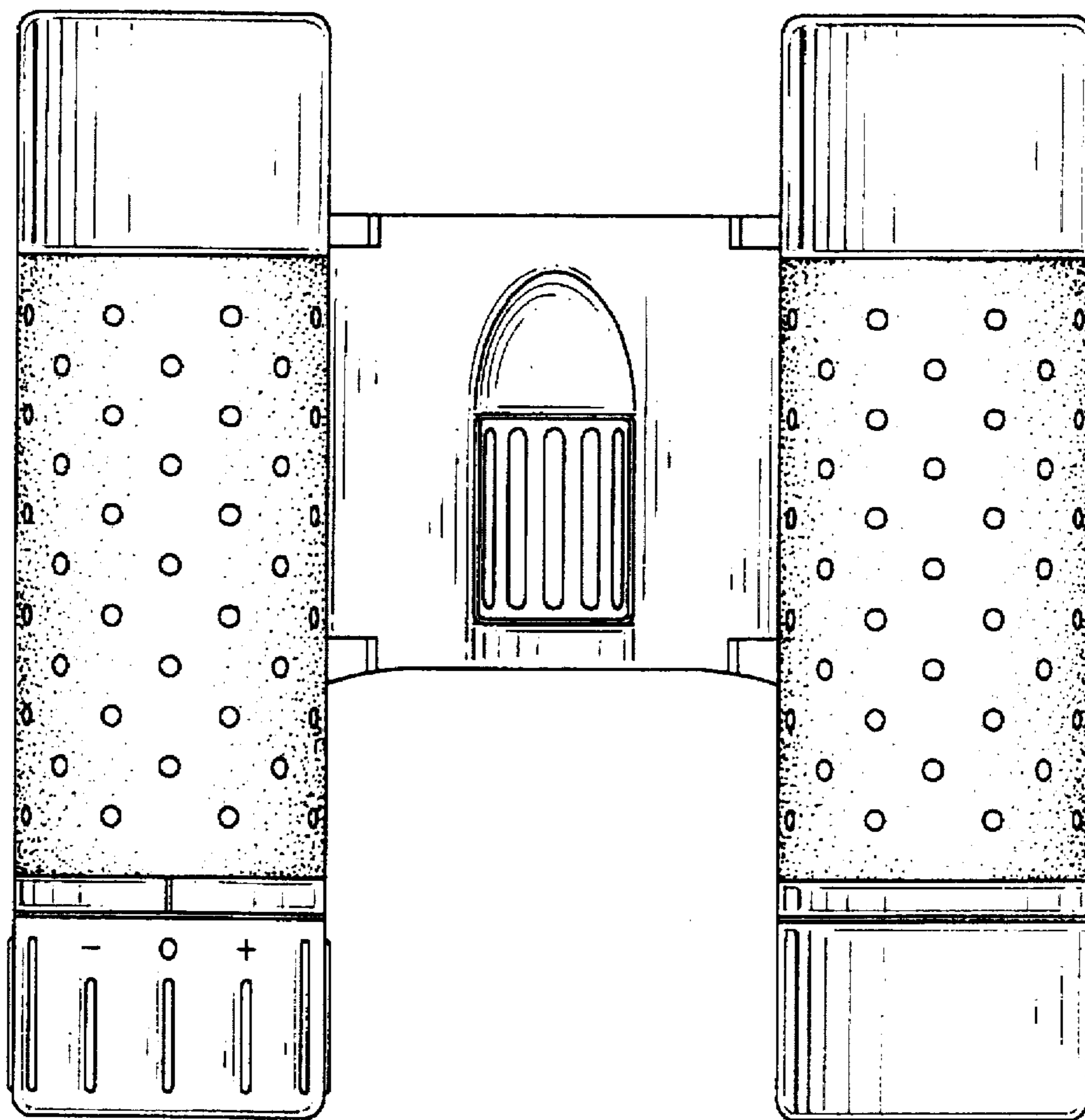


FIG. 7

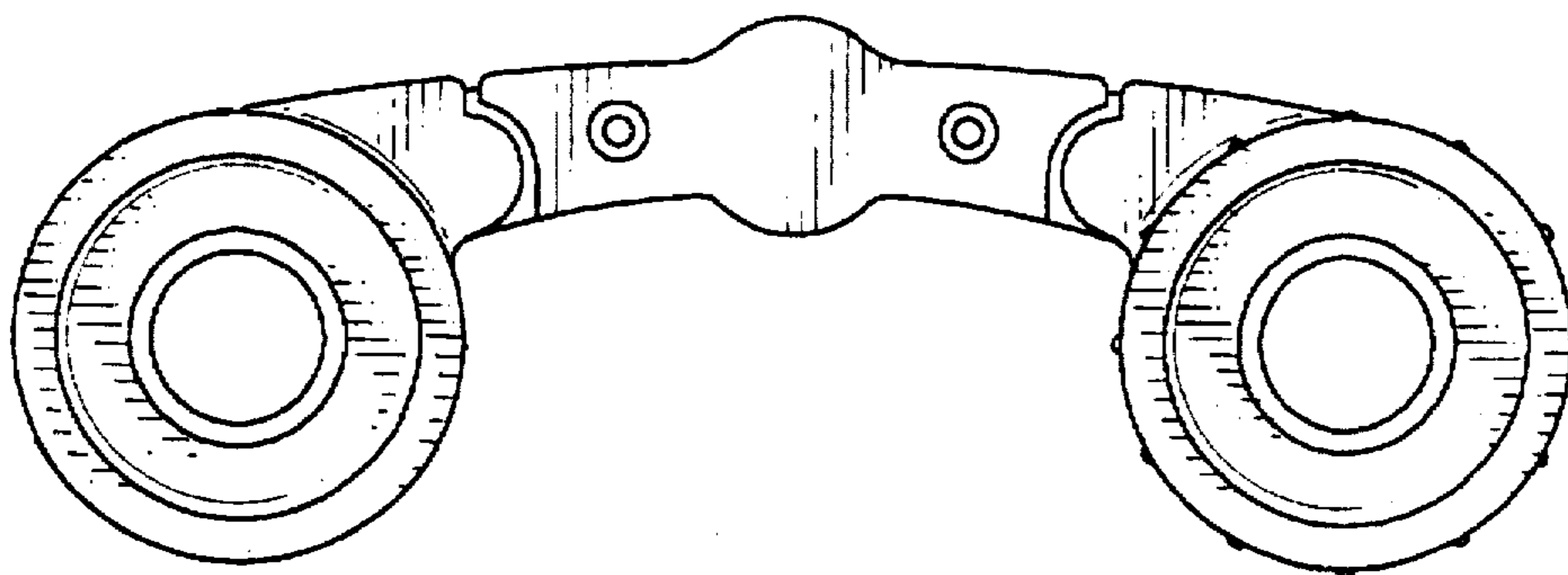


FIG. 3

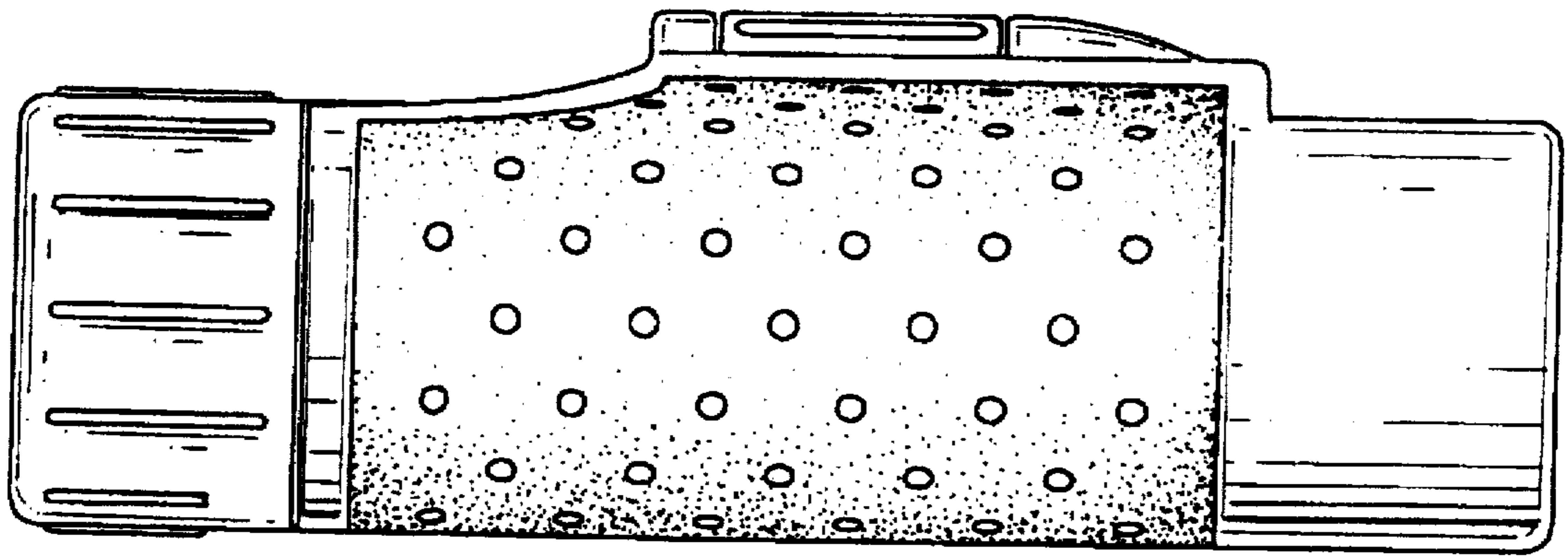


FIG. 4

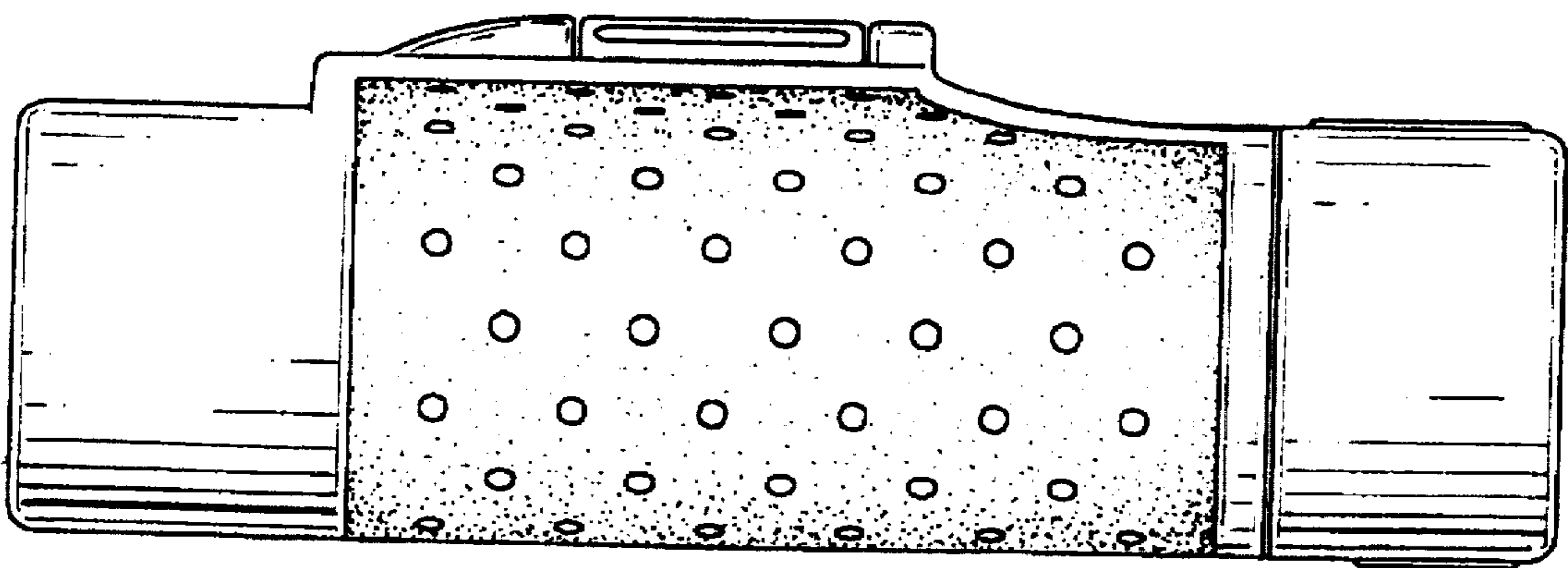


FIG. 5