



US00D387073S

United States Patent [19]
Mori

[11] **Patent Number:** **Des. 387,073**
[45] **Date of Patent:** ****Dec. 2, 1997**

[54] **PUNCH-BLADE HOLDER**

[75] **Inventor:** **Chuzo Mori, Tokyo, Japan**

[73] **Assignee:** **Carl Jimuki Kabushiki Kaisha,**
Tokyo, Japan

[**] **Term:** **14 Years**

[21] **Appl. No.:** **62,224**

[22] **Filed:** **Nov. 12, 1996**

[51] **LOC (6) CL** **15-09**

[52] **U.S. Cl.** **D15/140; D8/71**

[58] **Field of Search** **D8/71-74; D15/140;**
30/329-339; 83/76.3, 76.4, 684, 686, 698.71,
698.91, 699.11, 744, 745

[56] **References Cited**

U.S. PATENT DOCUMENTS

3,916,747 11/1975 Murray 83/699.11
4,250,786 2/1981 Bleich 83/699.11 X
5,231,908 8/1993 Skvarce 83/699.11

Primary Examiner—Antoine Duval Davis
Attorney, Agent, or Firm—Oliff & Berridge

[57] **CLAIM**

The ornamental design for punch-blade holder, as shown and described.

DESCRIPTION

FIG. 1 is a perspective view of a punch-blade holder showing my design;
FIG. 2 is an elevational front view of the punch-blade holder of FIG. 1;
FIG. 3 is a right-side view of the punch-blade holder of FIG. 1;
FIG. 4 is a top plan view of the punch-blade holder of FIG. 1;
FIG. 5 is a left-side view of the punch-blade holder of FIG. 1;
FIG. 6 is a bottom view of the punch-blade holder of FIG. 1;
FIG. 7 is a cross-sectional view taken along 7—7 line in FIG. 4; and,
FIG. 8 is a reference view showing a state that the punch-blade holder is used in a punch.
Rear view appears symmetrically with the elevational front view of FIG. 2.
The broken line showing of a punch is for illustrative purposes only and forms no part of the claimed design.

1 Claim, 2 Drawing Sheets

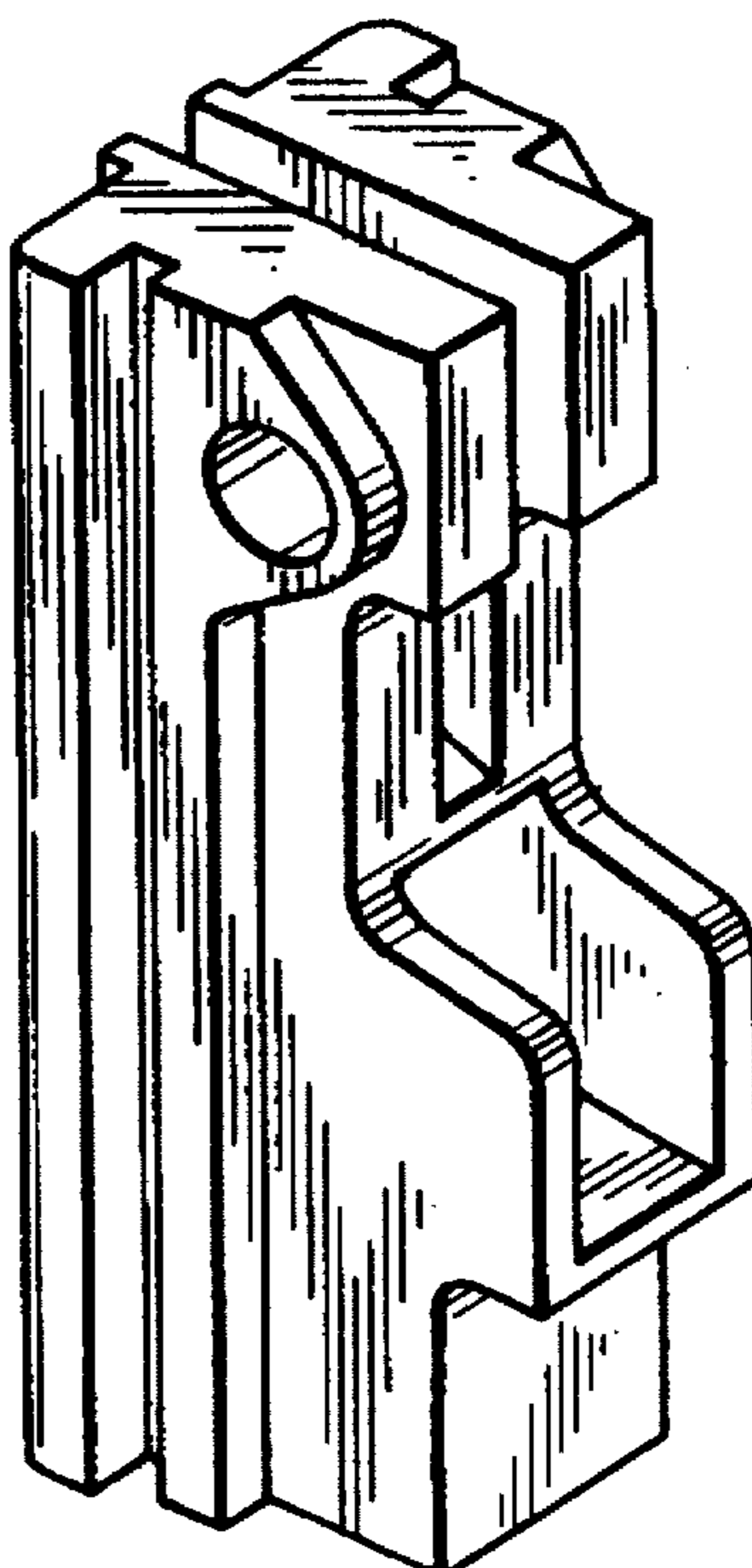


FIG. 1

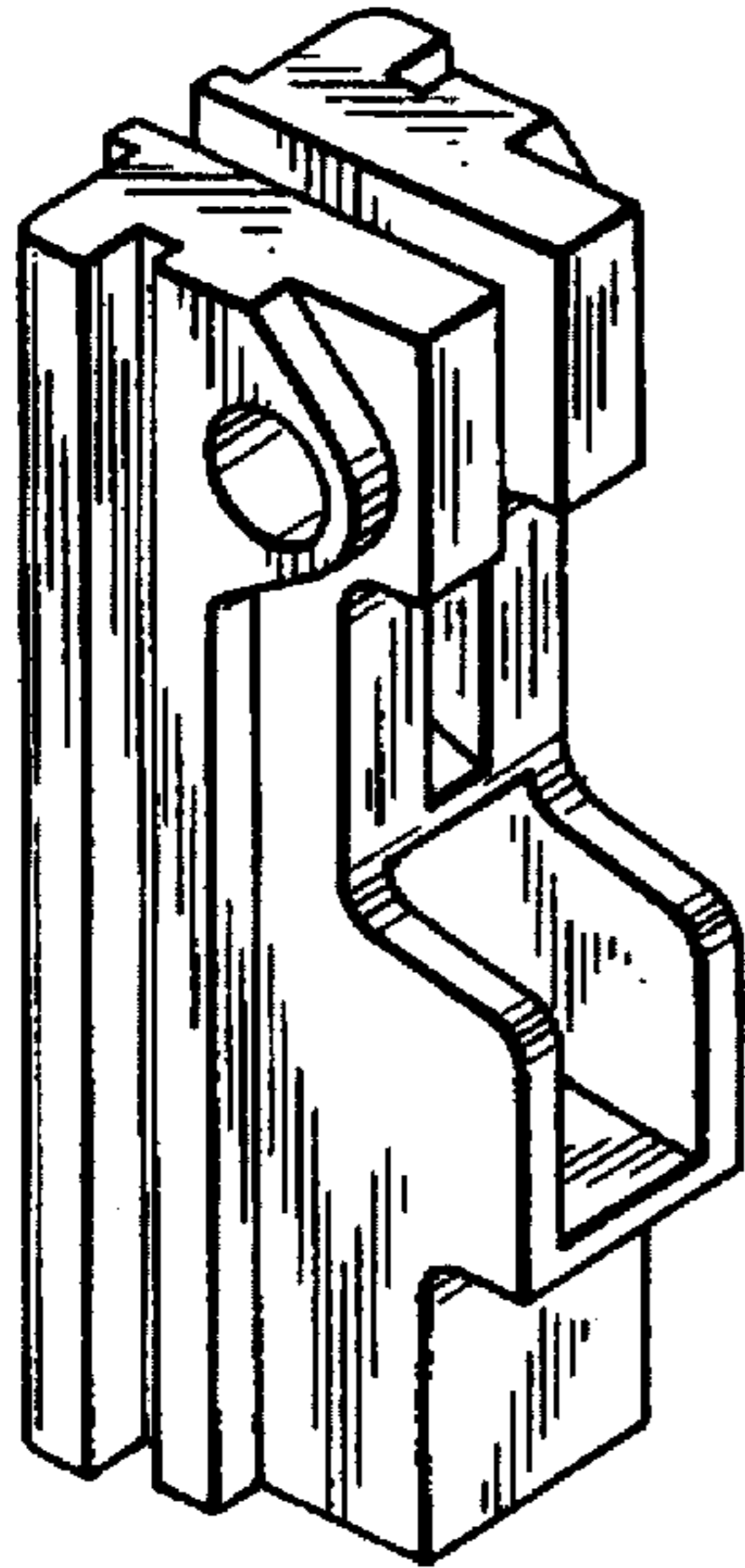


FIG. 2

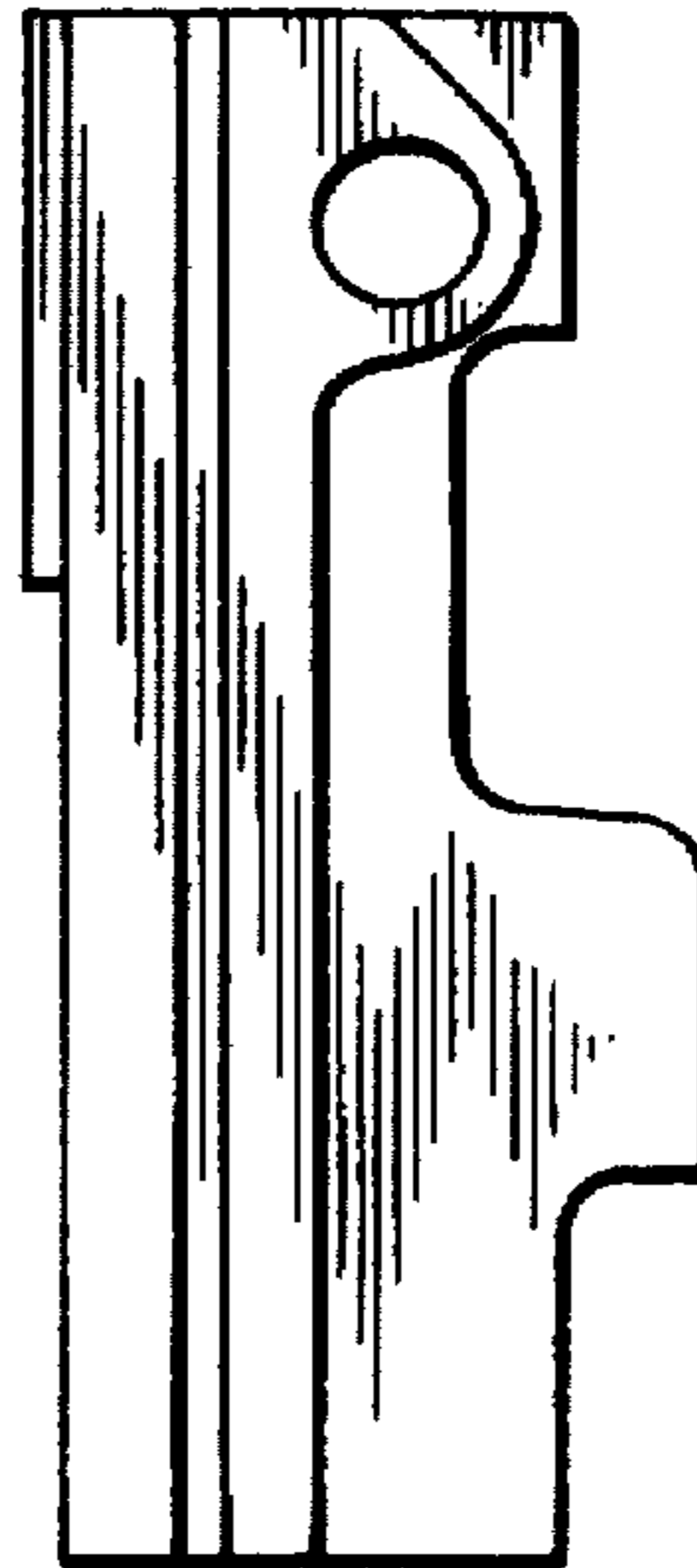


FIG. 3



FIG. 4

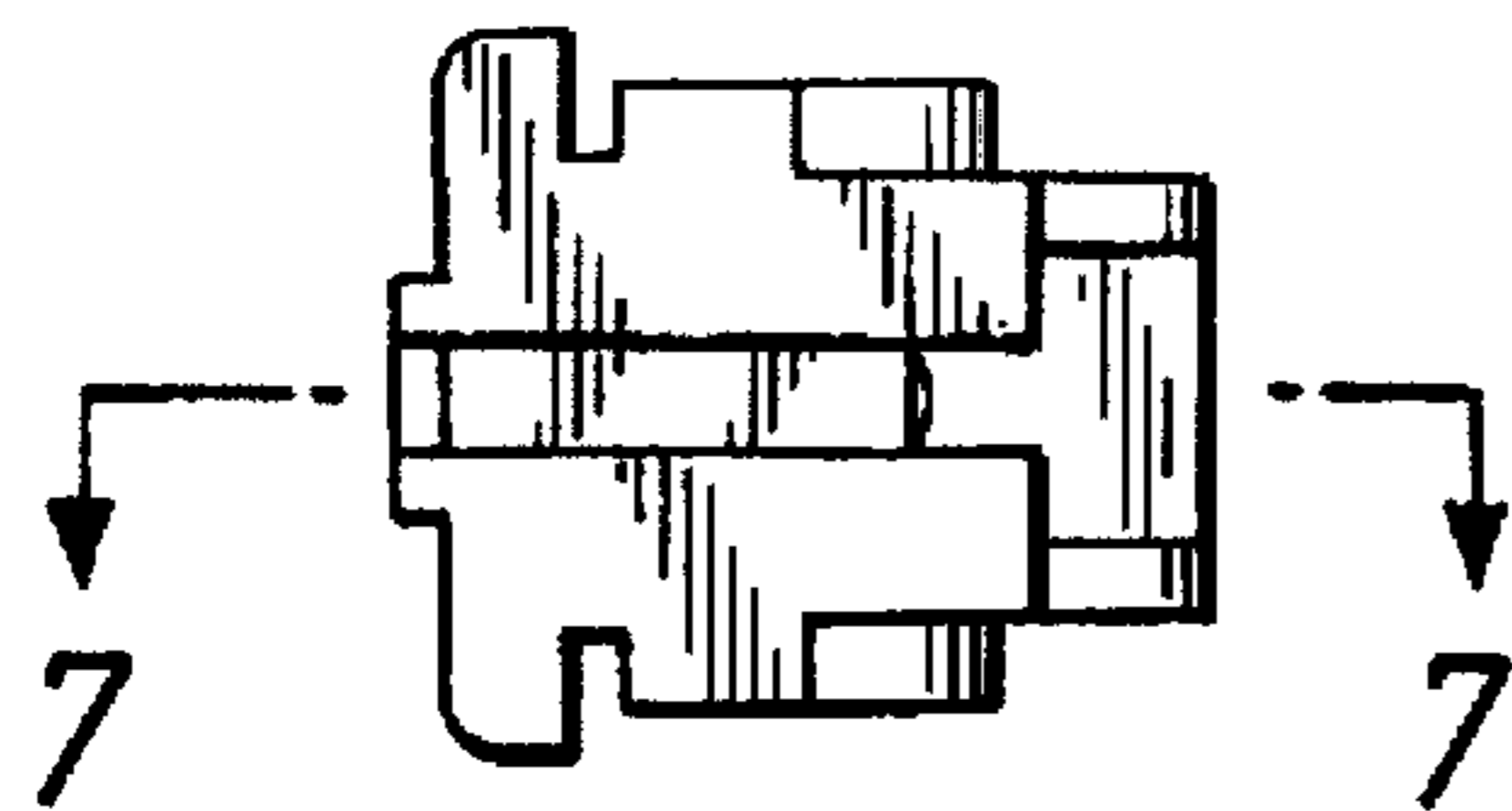


FIG. 5

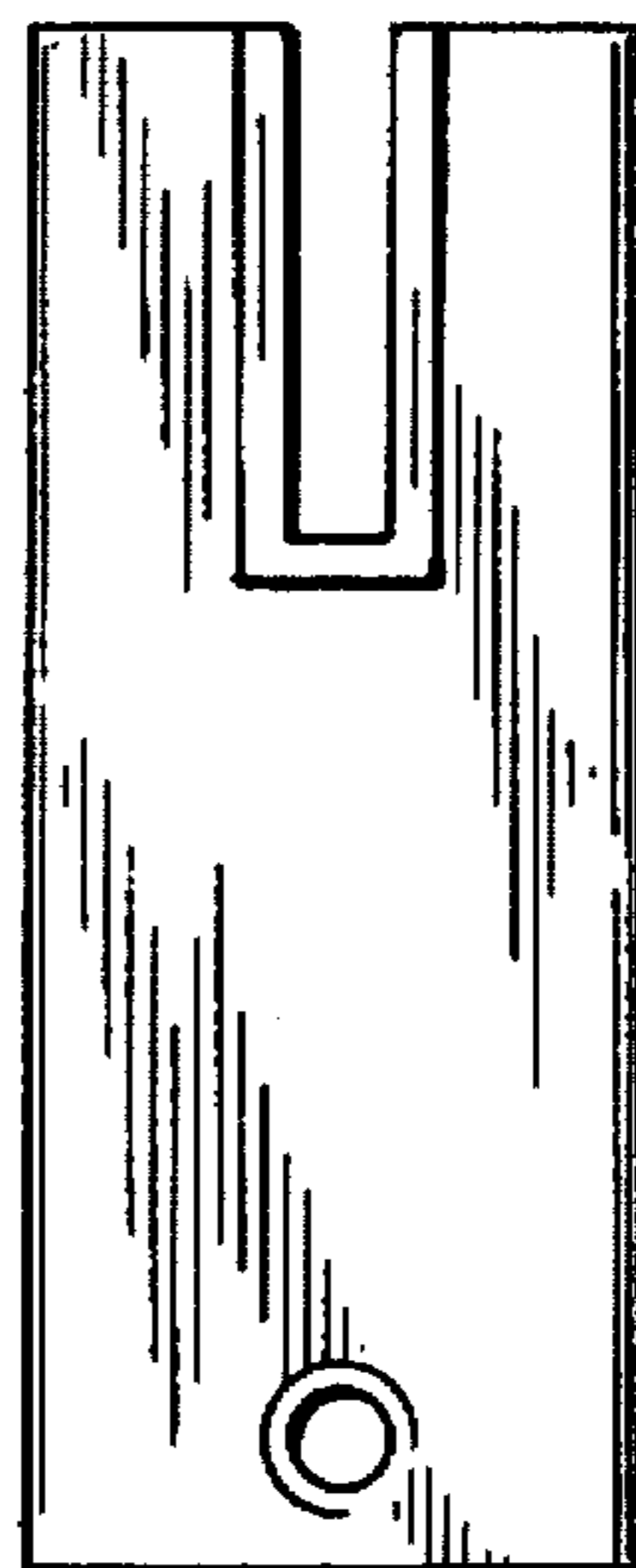


FIG. 7

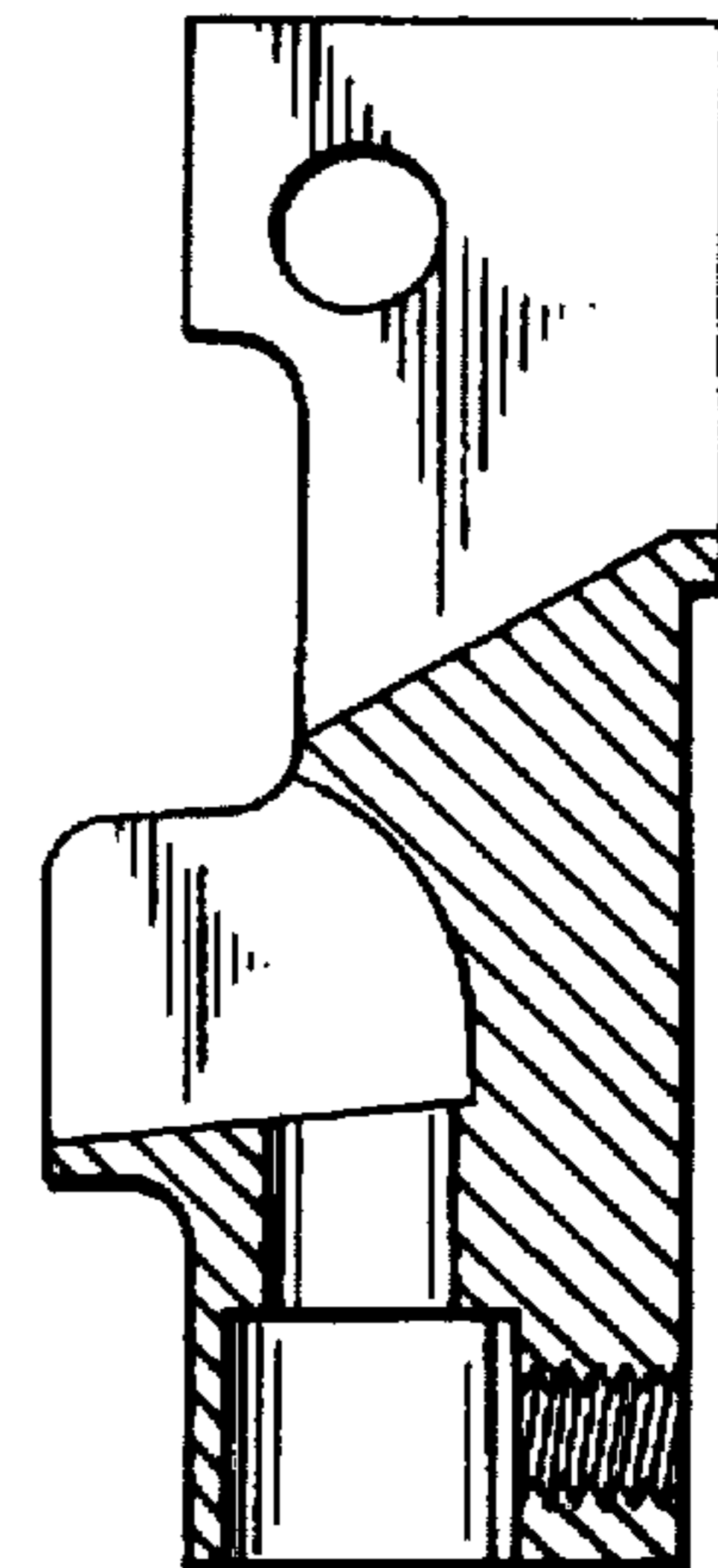


FIG. 6

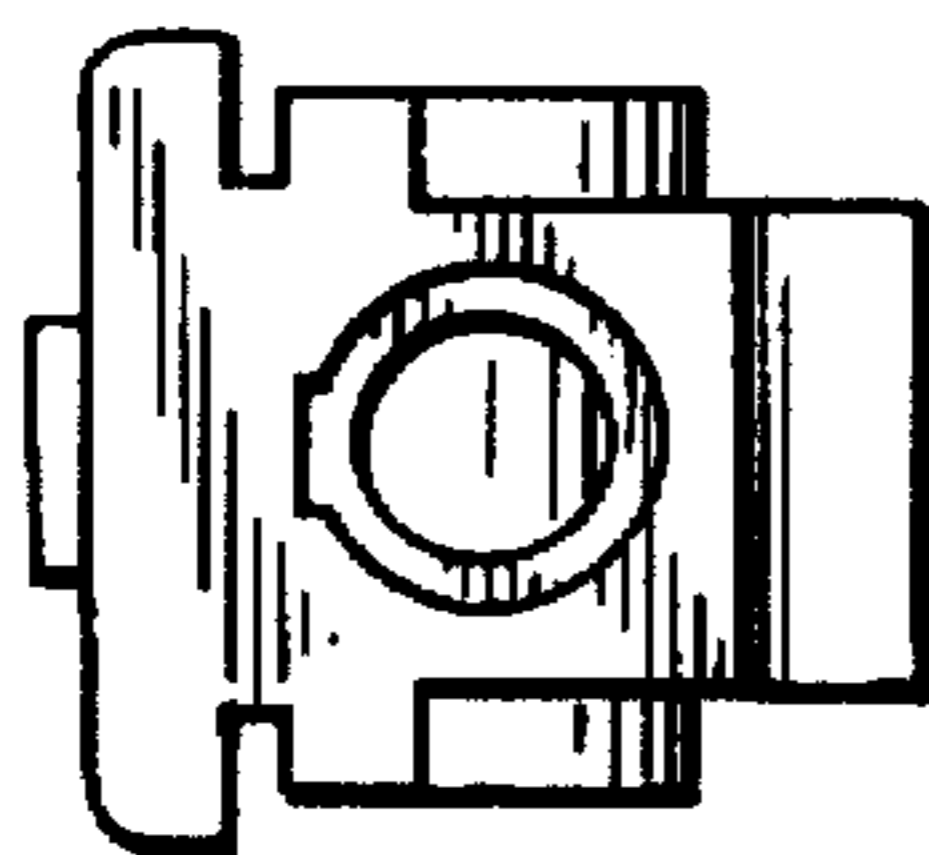


FIG. 8

