



US00D387070S

**United States Patent** [19]

[11] **Patent Number: Des. 387,070**

**Welsh**

[45] **Date of Patent: \*\*Dec. 2, 1997**

[54] **PLANER**

[75] **Inventor: Robert P. Welsh, Hunt Valley, Md.**

[73] **Assignee: Black & Decker Inc., Newark, Del.**

[\*\*] **Term: 14 Years**

[21] **Appl. No.: 62,168**

[22] **Filed: Nov. 8, 1996**

[51] **LOC (6) Cl. .... 15-09**

[52] **U.S. Cl. .... D15/127**

[58] **Field of Search** ..... D15/124, 125, D15/126, 127; 144/112.1, 114.1, 117 R, 144 R, 124-127 A, 154.5, 129, 130, 218, 225, 228, 230, 242.5, 245.1, 246.1, 250.2, 253.2, 253.8, 253.5, 252.1, 375; 408/115 R, 241 S; 409/175, 181; 606/79, 88, 172

[56] **References Cited**

**U.S. PATENT DOCUMENTS**

- D. 267,406 12/1982 Glore .
- D. 276,616 12/1984 Legler et al. .
- D. 284,286 6/1986 Pioch et al. .
- D. 285,083 8/1986 Miyamoto .
- D. 285,448 9/1986 Hashii .
- D. 286,536 11/1986 Beck et al. .
- D. 299,146 12/1988 Pollak et al. .
- D. 300,933 5/1989 Gemmani .
- D. 305,606 1/1990 Cavedo .
- D. 306,171 2/1990 Kronthaler .

- D. 307,592 5/1990 Monobe et al. .
- D. 311,192 10/1990 Juang .
- D. 322,258 12/1991 Monobe .
- D. 323,833 2/1992 Brickner .
- D. 323,834 2/1992 Fushiya et al. .... D15/133
- D. 326,667 6/1992 Juang ..... D15/127
- D. 340,060 10/1993 Emerich .
- D. 370,018 5/1996 Jedlicka et al. .
- 3,718,168 2/1973 Berends .

*Primary Examiner*—Antoine Duval Davis  
*Attorney, Agent, or Firm*—Bruce S. Shapiro; Adan Ayala

[57] **CLAIM**

The ornamental design for a planer, as shown and described.

**DESCRIPTION**

FIG. 1 is a left side perspective view from the front of a first embodiment of a planer showing my new design;  
 FIG. 2 is a top plan view of the first embodiment;  
 FIG. 3 is a back elevational view of the first embodiment;  
 FIG. 4 is a front elevational view of the first embodiment;  
 FIG. 5 is a right side elevational view of the first embodiment;  
 FIG. 6 is a left side elevational view of the first embodiment;  
 FIG. 7 is a left side perspective view from the front of the first embodiment, shown in an alternate condition of use; and,  
 FIG. 8 is a left side perspective view from the front of a second embodiment of a planer showing my new design with an installed knob.

**1 Claim, 7 Drawing Sheets**

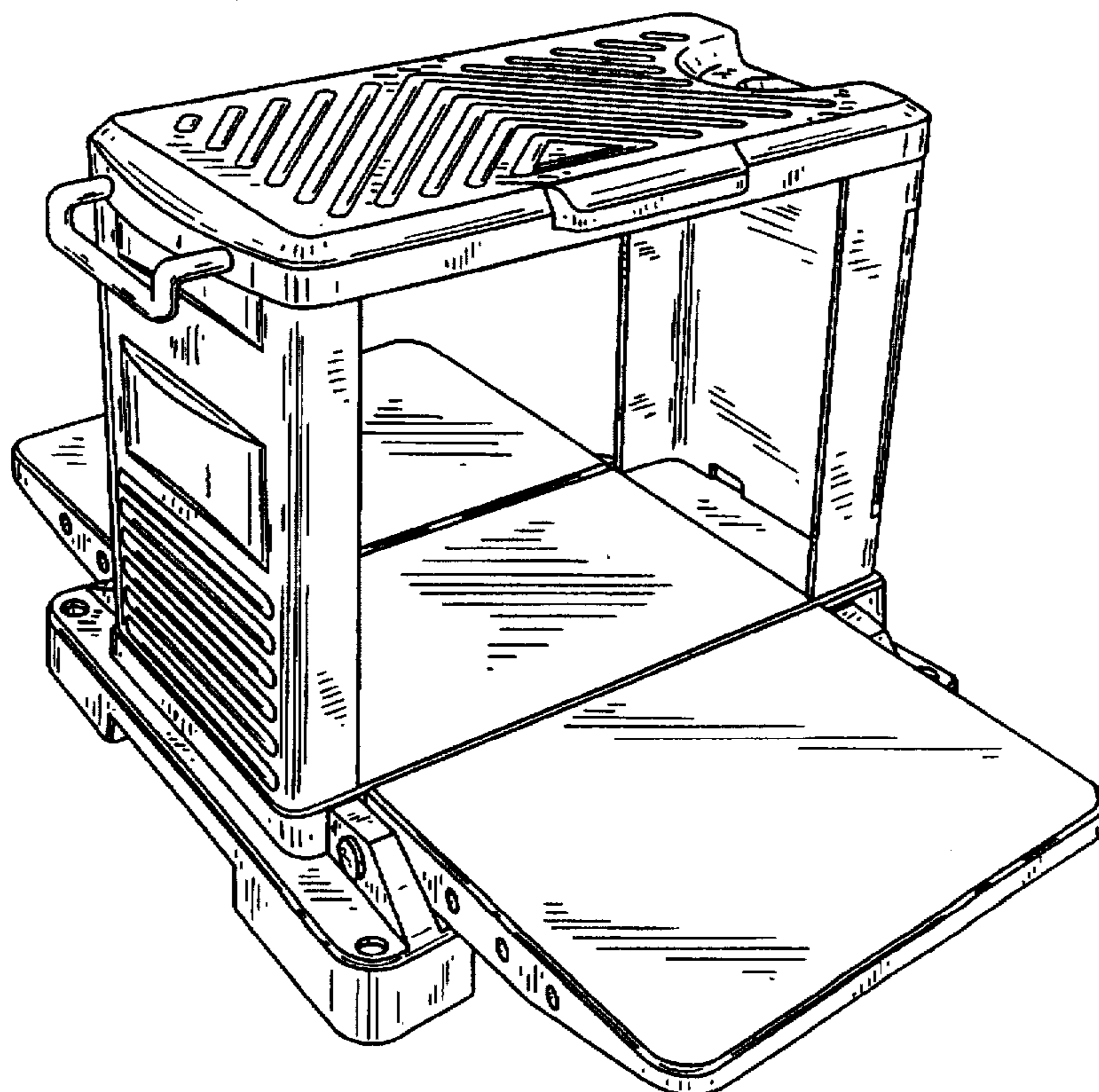


FIG. 1

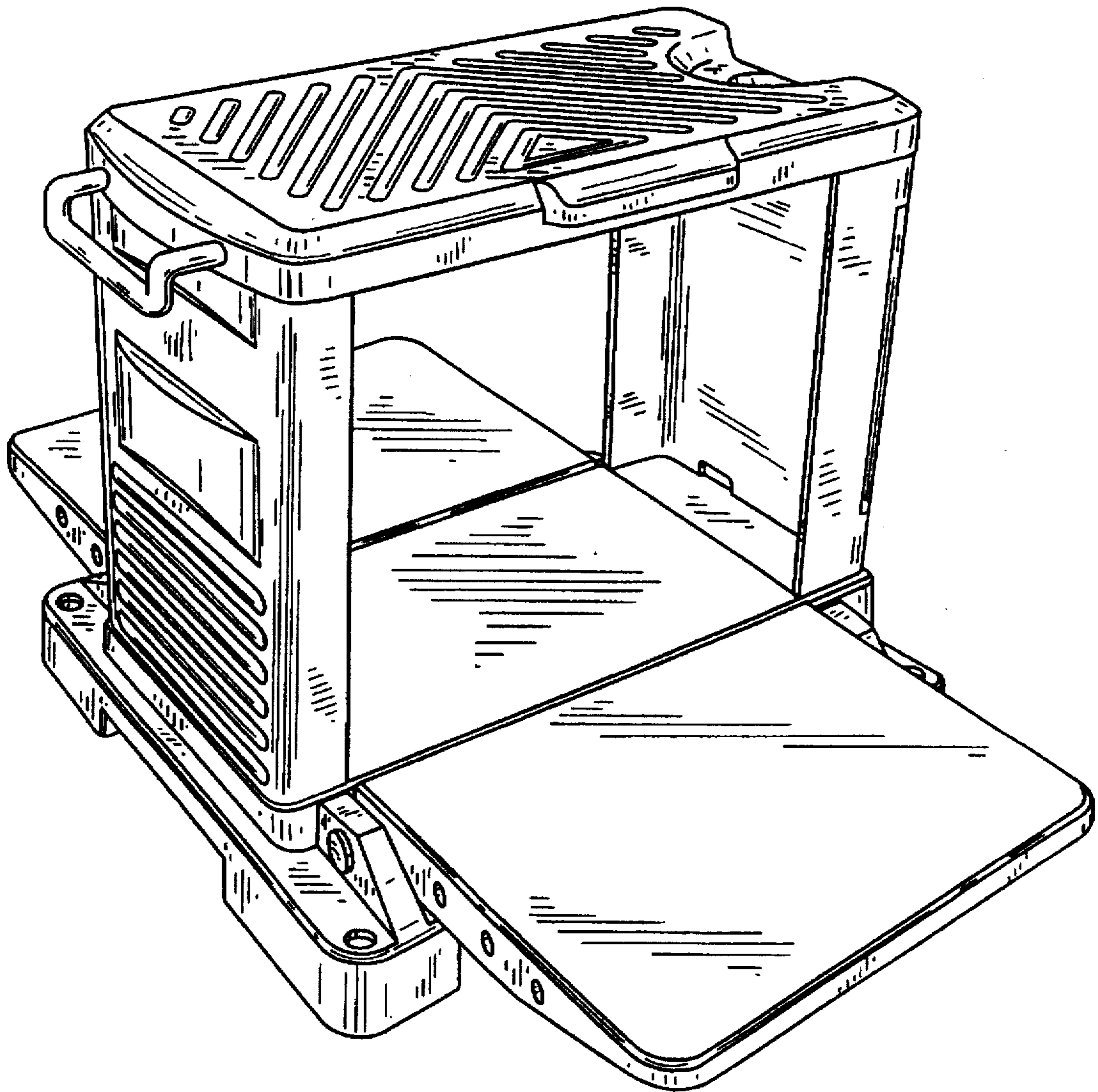


FIG. 2

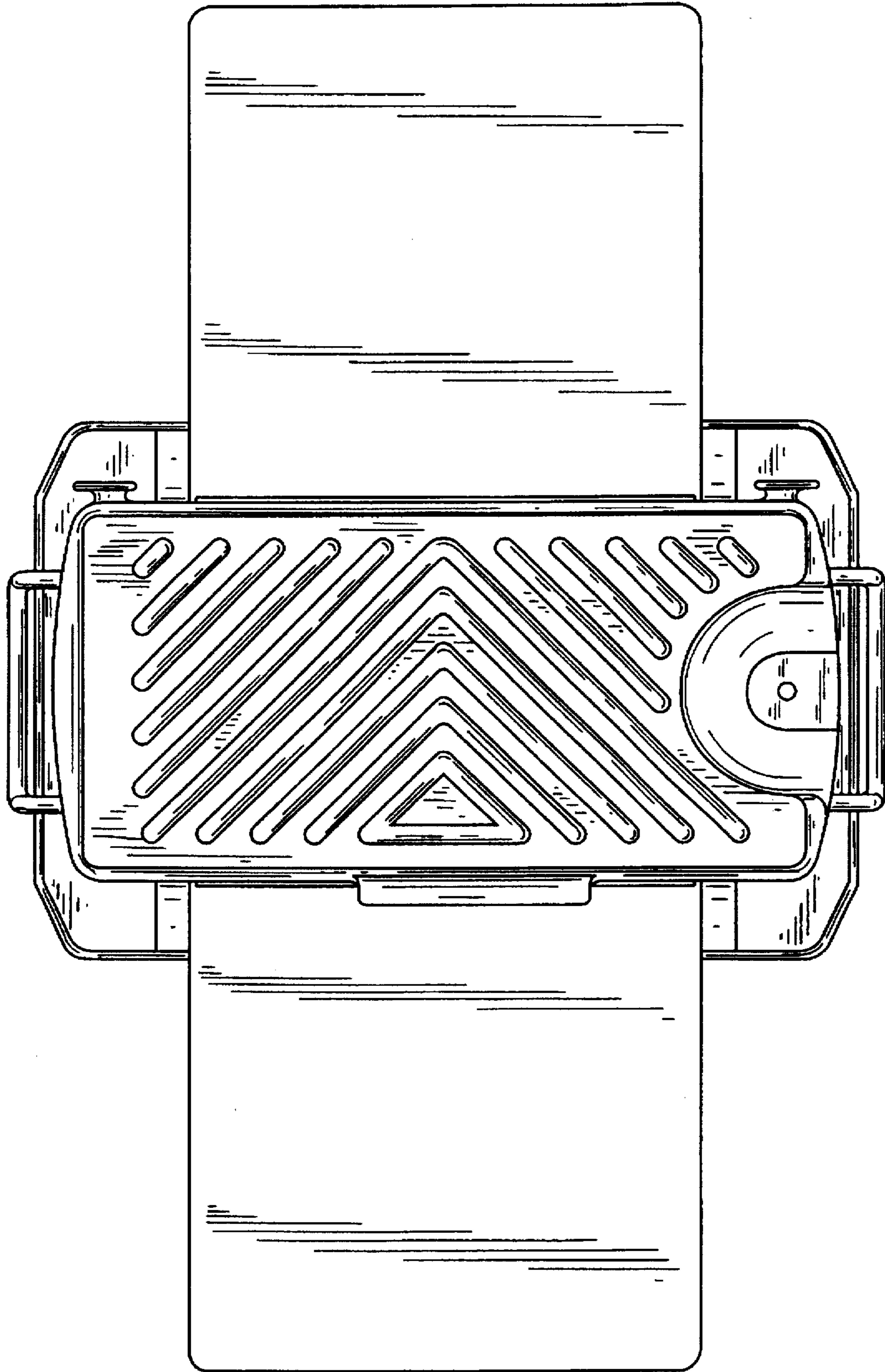




FIG. 3

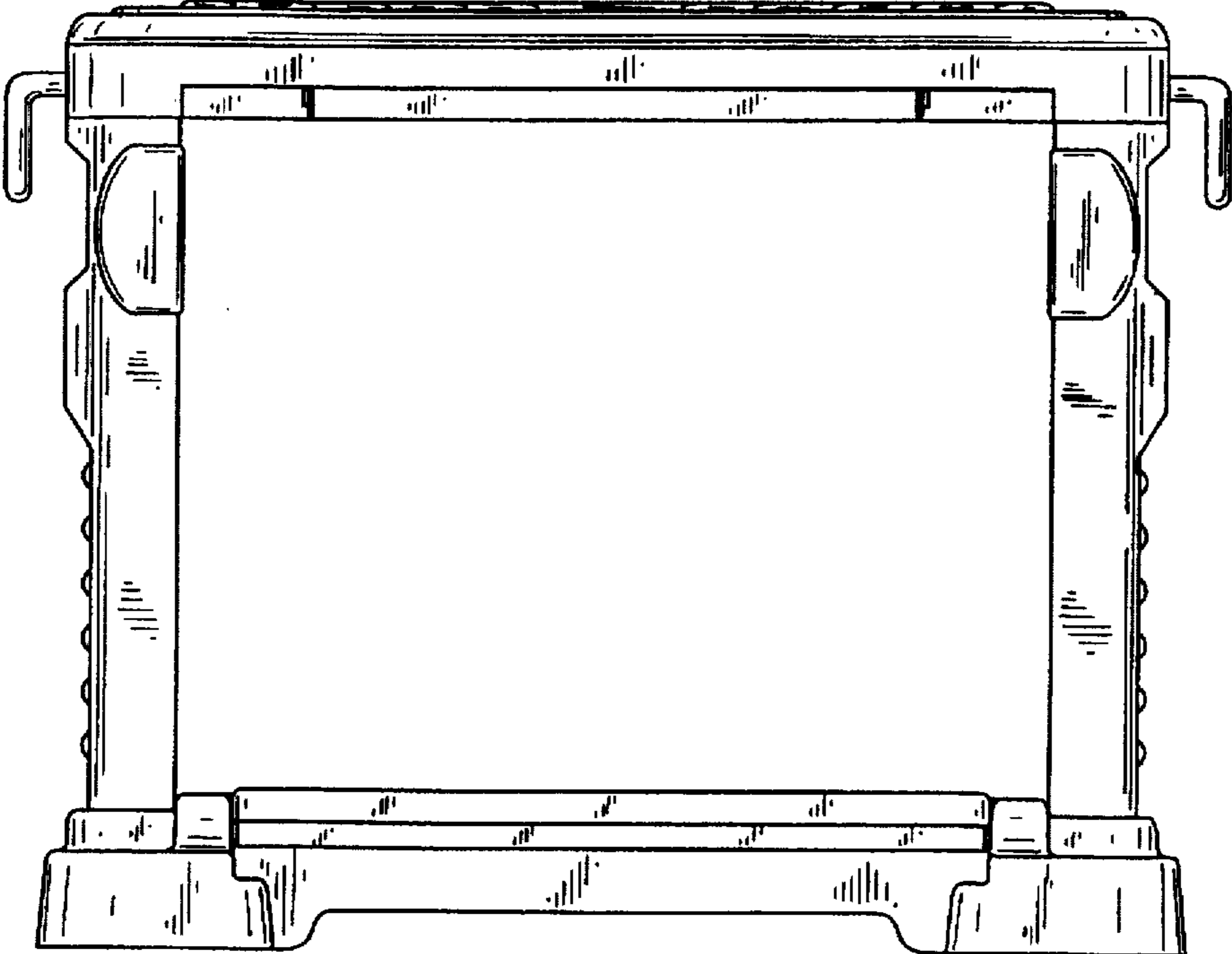


FIG. 4

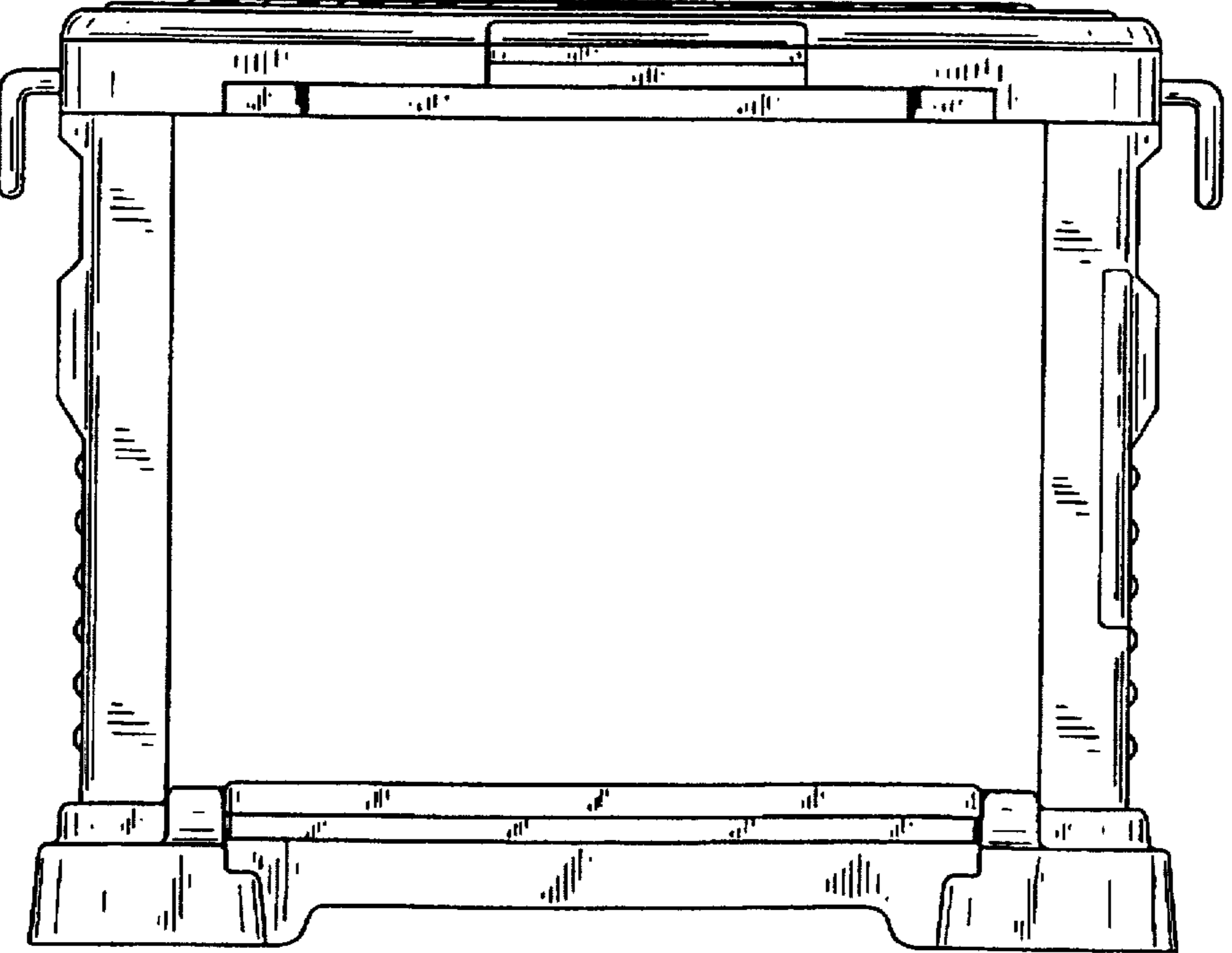


FIG. 5

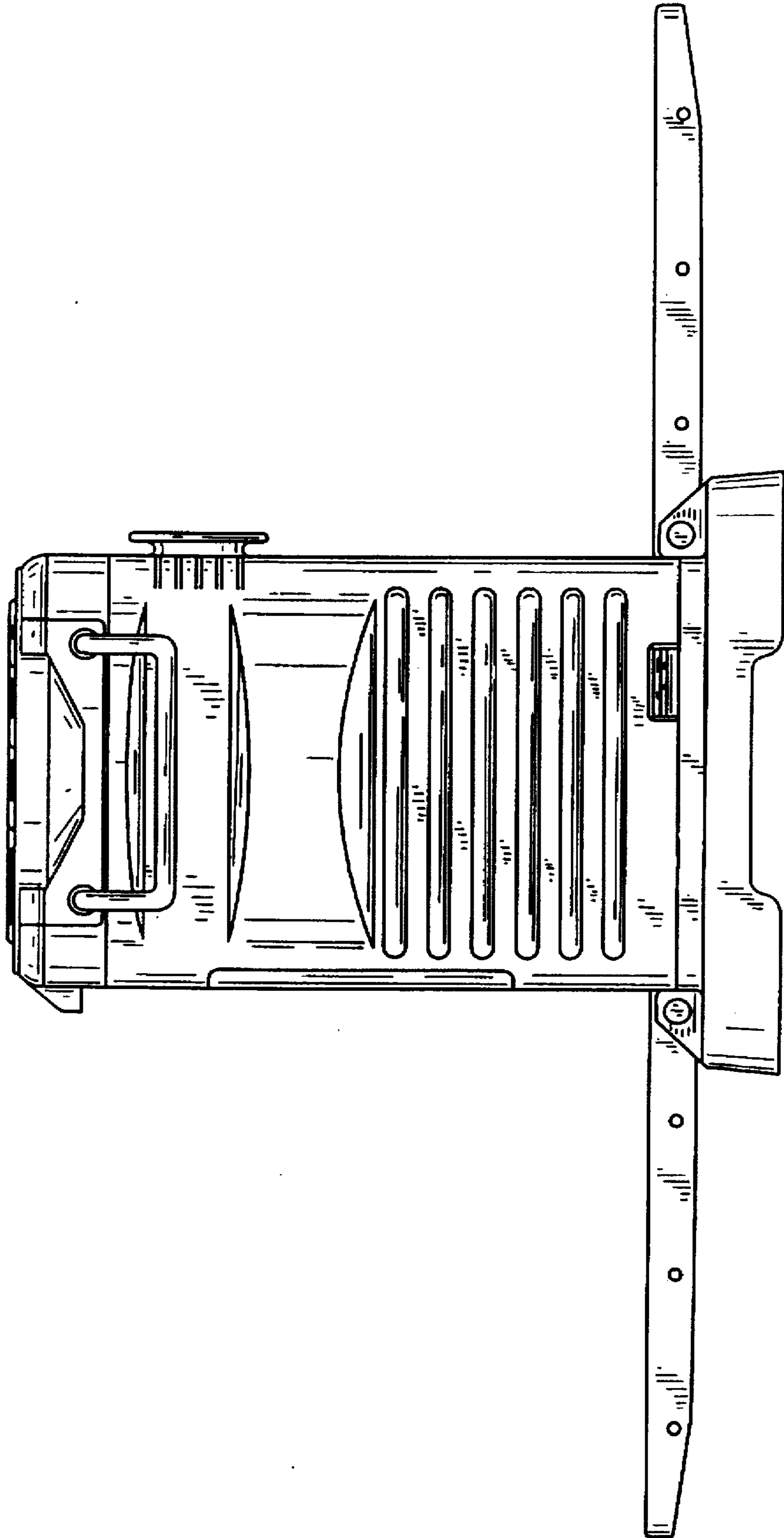


FIG. 6

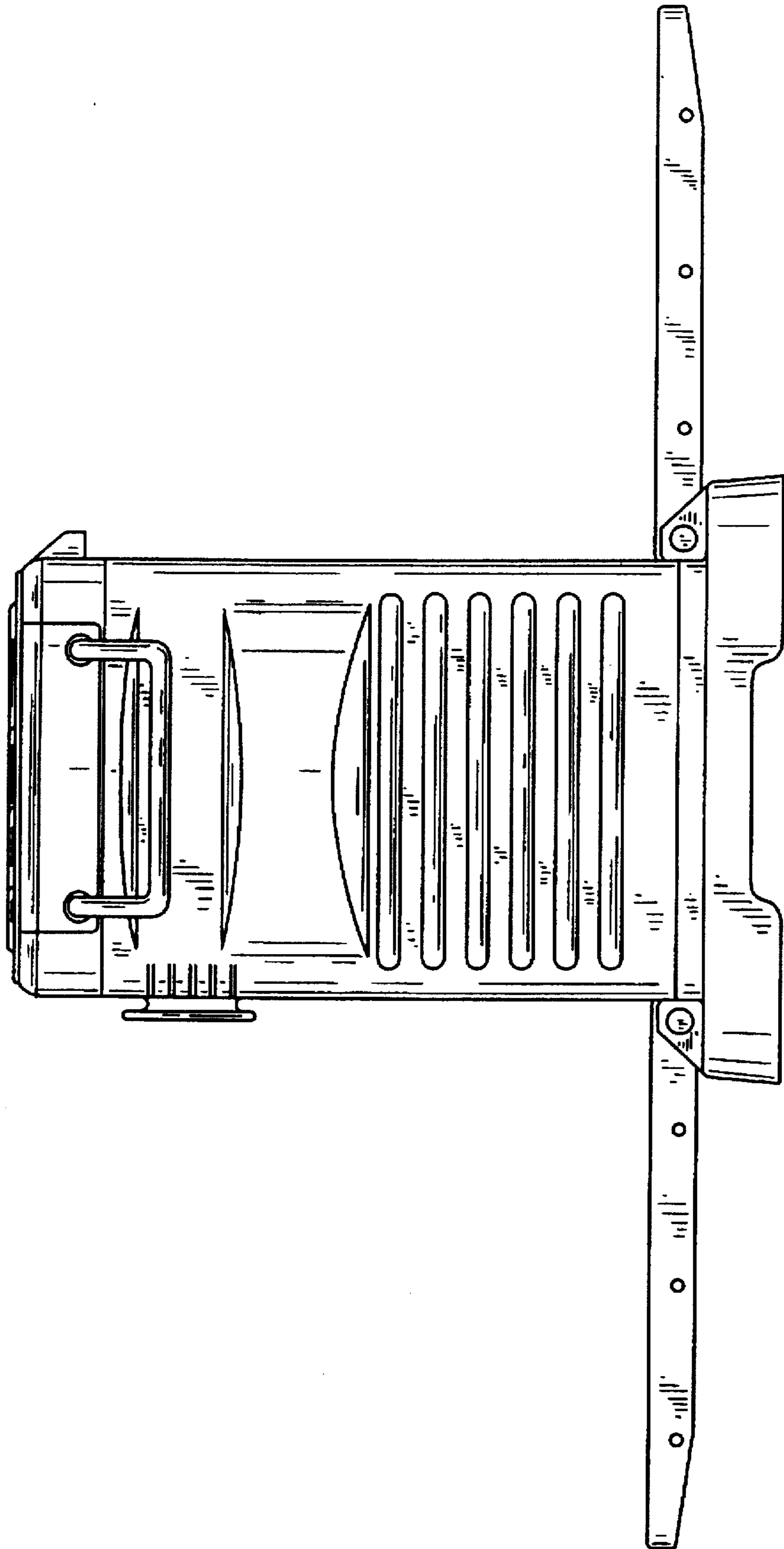


FIG. 7

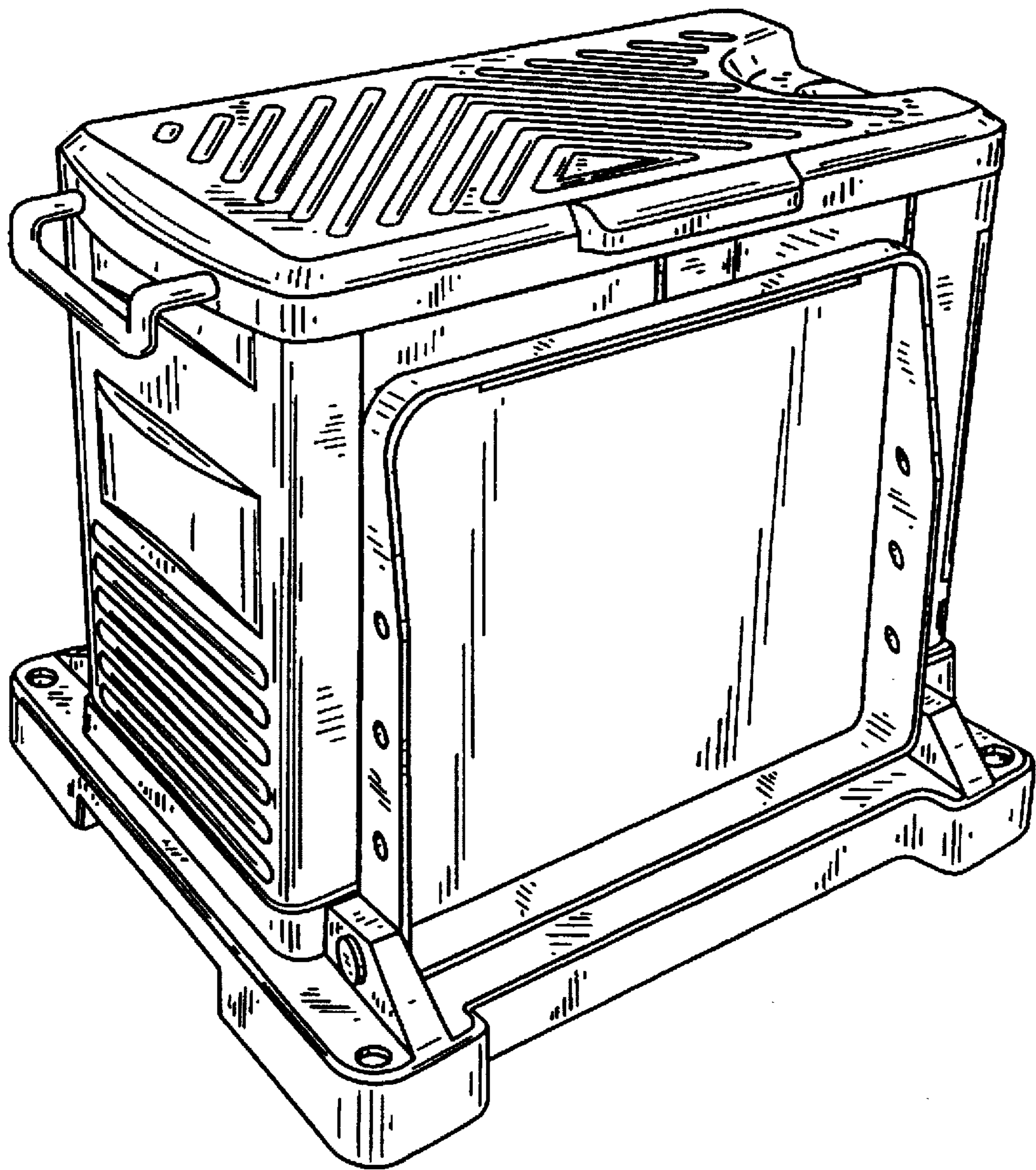


FIG. 8

