



US00D387069S

United States Patent [19]
Welsh

[11] **Patent Number:** **Des. 387,069**
[45] **Date of Patent:** ****Dec. 2, 1997**

[54] **UPPER RIB PATTERN FOR A PLANER**

[75] **Inventor:** **Robert P. Welsh**, Hunt Valley, Md.
[73] **Assignee:** **Black & Decker Inc.**, Newark, Del.
[**] **Term:** **14 Years**
[21] **Appl. No.:** **65,046**
[22] **Filed:** **Jan. 17, 1997**

Related U.S. Application Data

[63] Continuation of Ser. No. 62,168, Nov. 8, 1996.
[51] **LOC (6) Cl.** **15-09**
[52] **U.S. Cl.** **D15/127**
[58] **Field of Search** **D15/124-127;**
144/117.1, 114.1, 117 R, 144 R, 124-127 A,
154.5, 129, 130, 218, 225, 228, 230, 242.5,
245.1, 246.1, 250.2, 253.2, 253.8, 253.5,
252.1, 375; 488/115 R, 241 S; 409/175,
181; 606/79, 88, 172

[56] **References Cited**

U.S. PATENT DOCUMENTS

D. 323,834 2/1992 Fushiya et al. D15/133
D. 326,667 6/1992 Juang D15/127

Primary Examiner—Antoine Duval Davis
Attorney, Agent, or Firm—Adan Ayala; Bruce S. Shapiro

[57] **CLAIM**

The ornamental design for an upper rib pattern for a planer, as shown and described.

DESCRIPTION

FIG. 1 is a left side perspective view from the front of a upper rib pattern for a planer showing my new design; FIG. 2 is a left elevational view of my design; FIG. 3 is a right elevational view of my design; FIG. 4 is a front elevational view of my design; and, FIG. 5 is a back elevational view of my new design. In the attached drawings, any broken line illustration is not part of the desgin sought to be patented.

1 Claim, 4 Drawing Sheets

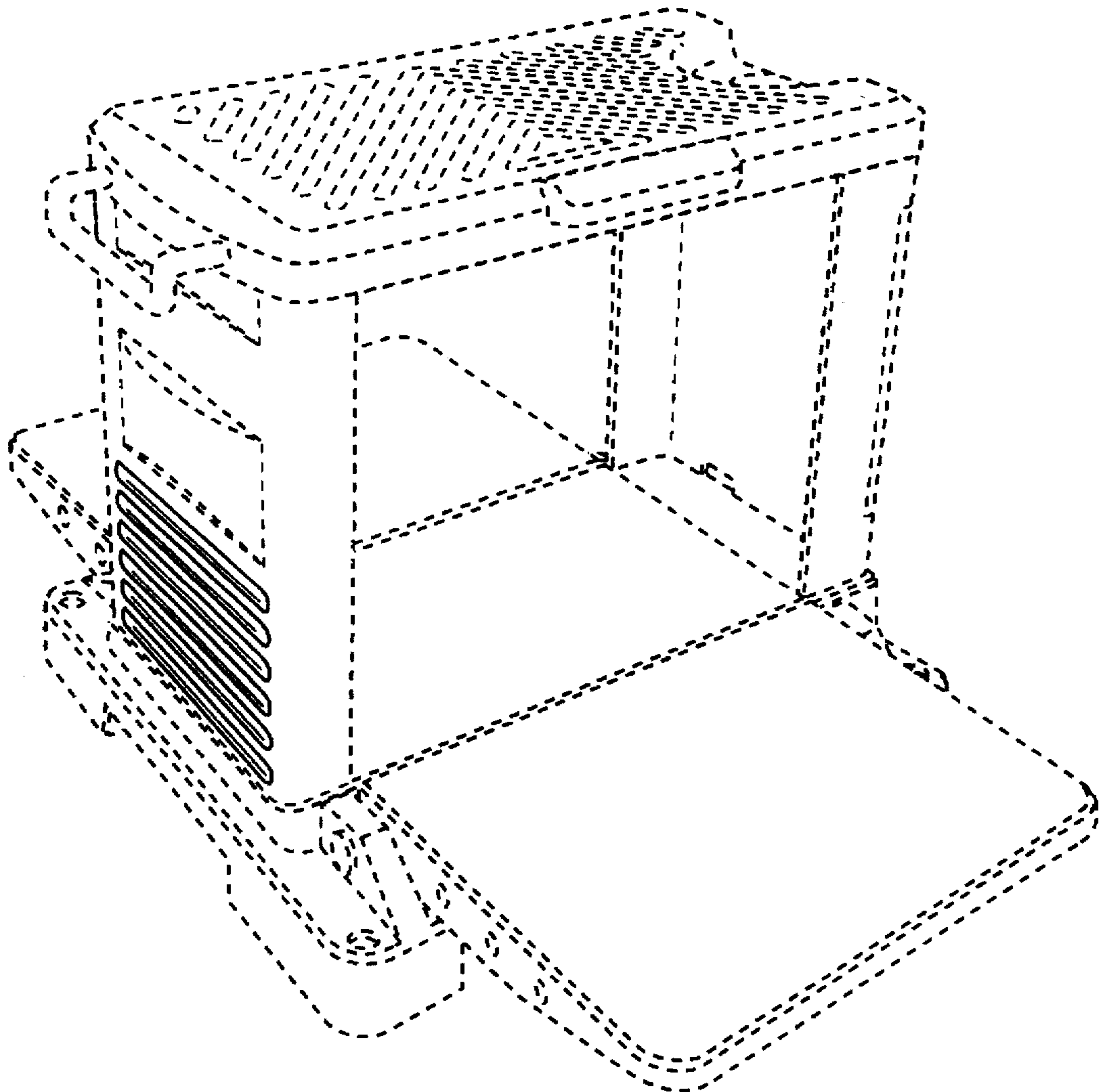


FIG. 1

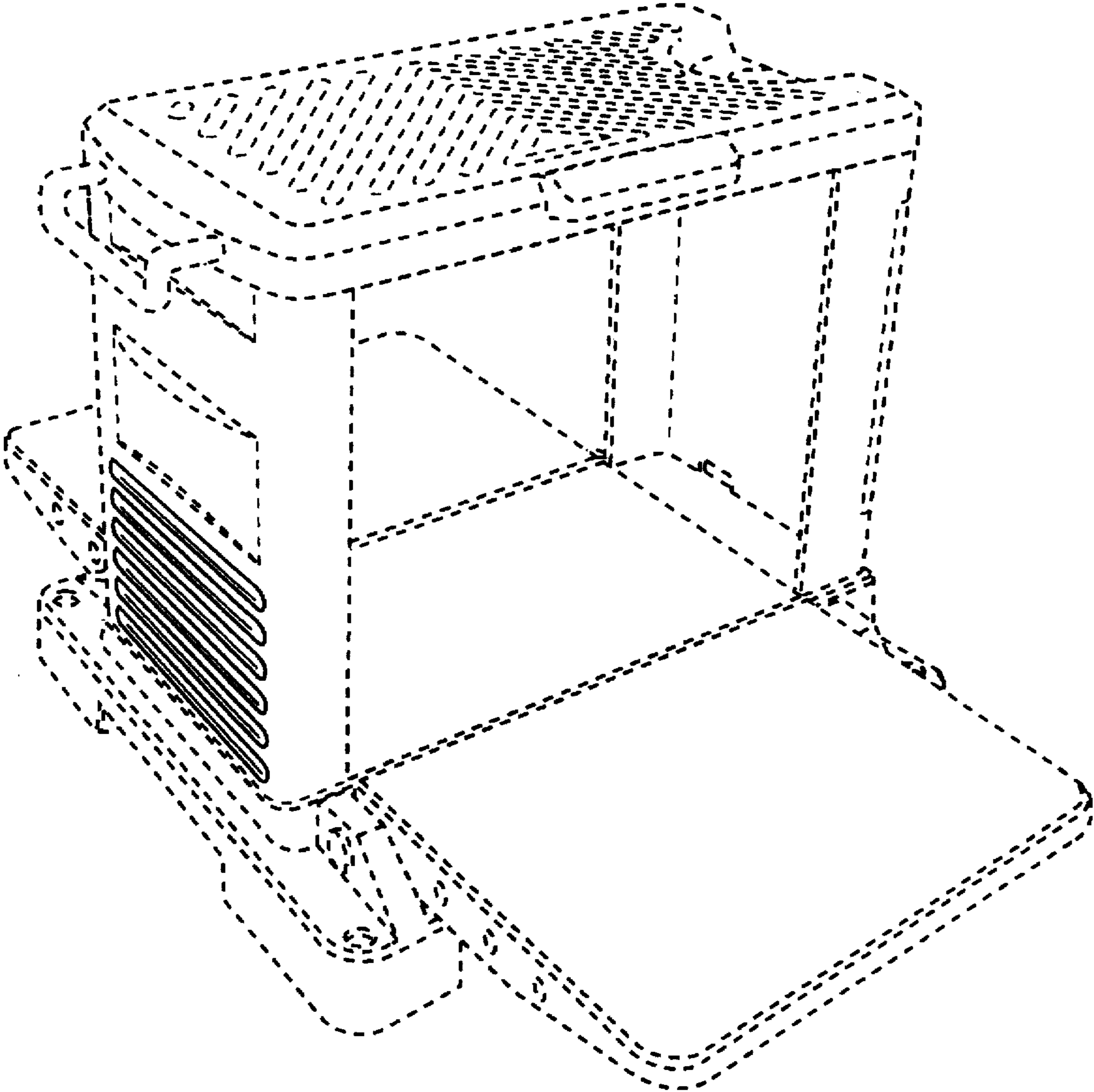


FIG. 2

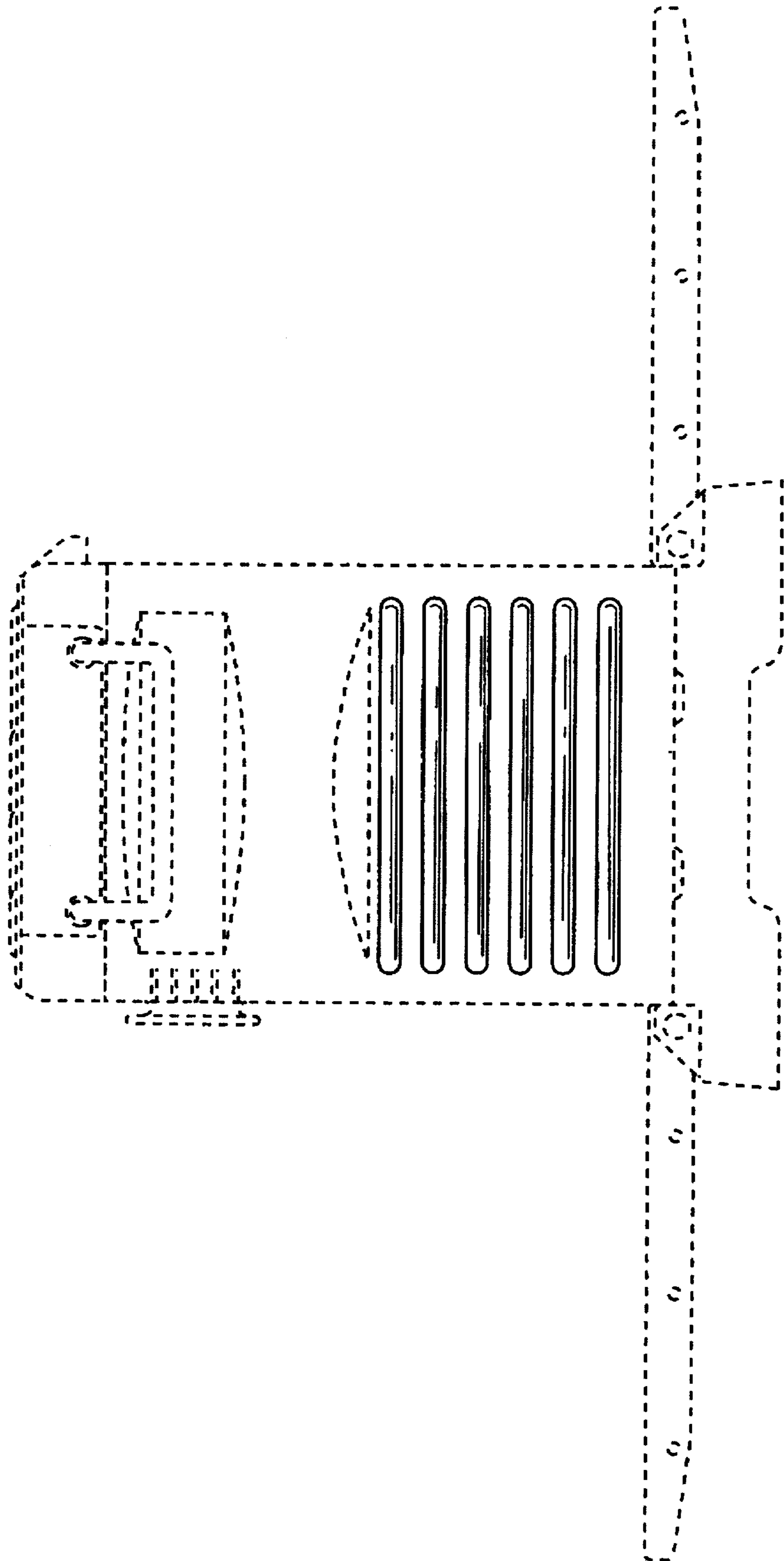


FIG. 3

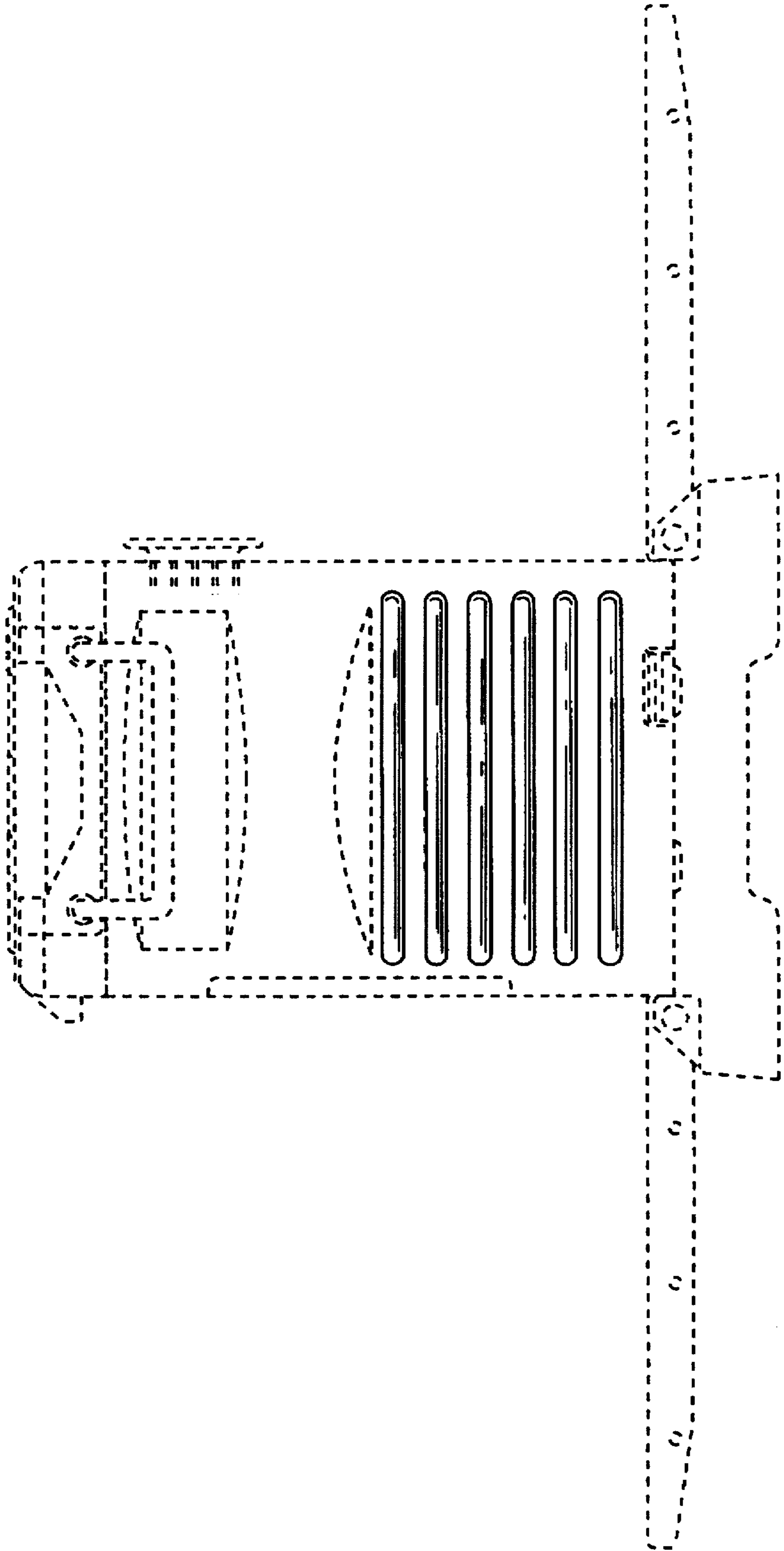


FIG. 4

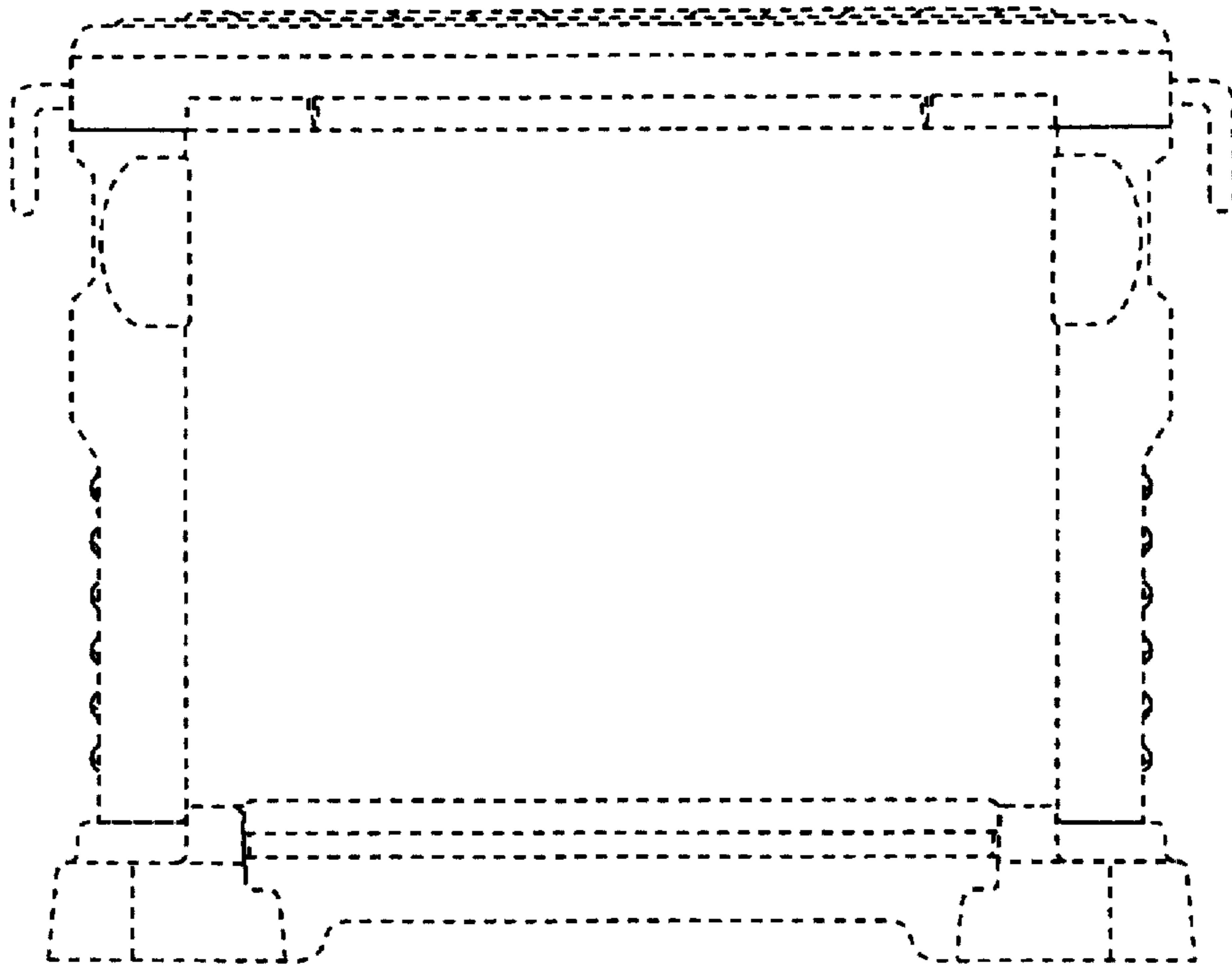
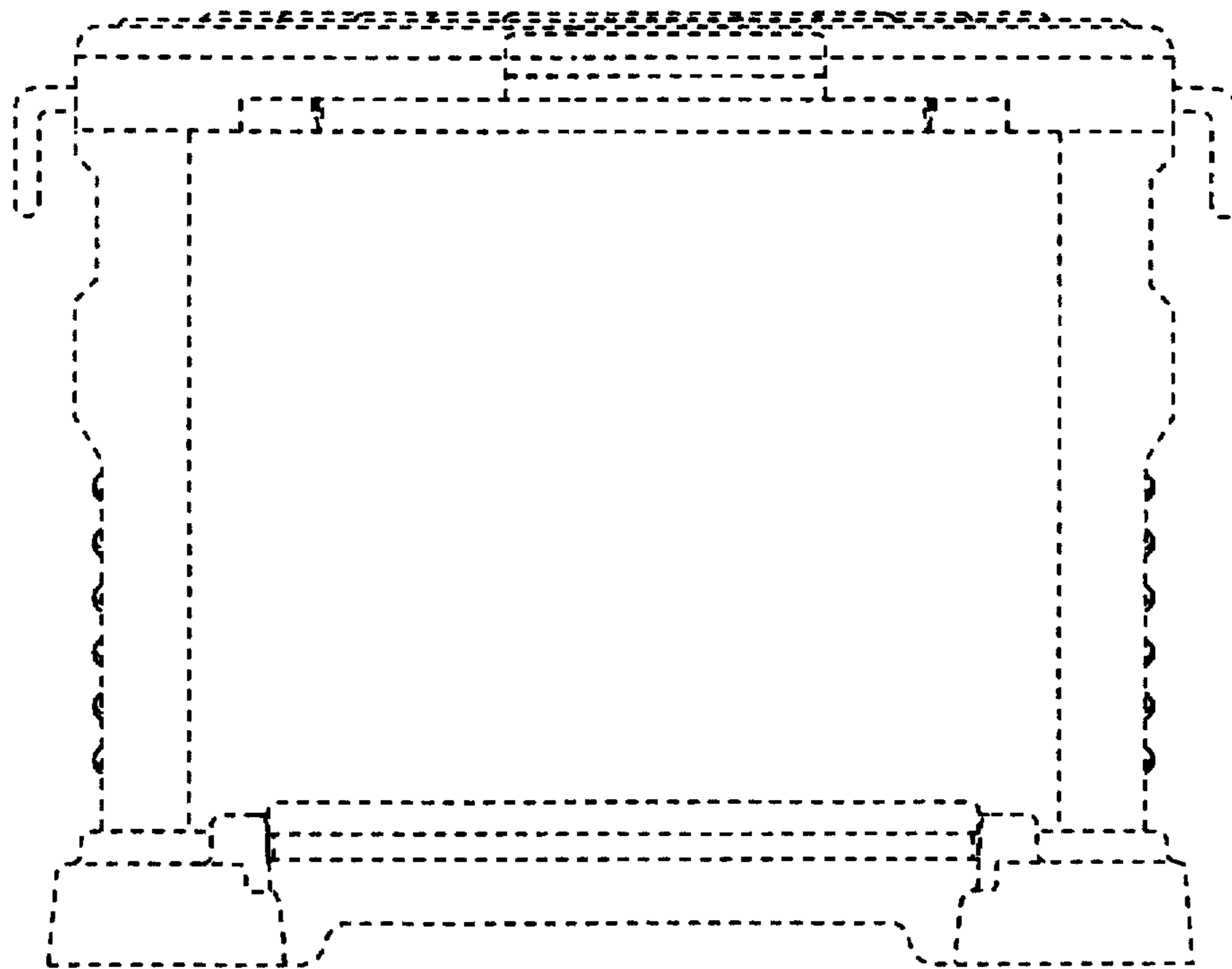


FIG. 5



UNITED STATES PATENT AND TRADEMARK OFFICE
CERTIFICATE OF CORRECTION

PATENT NO. : Des. 387,069
DATED : Dec. 2, 1997
INVENTOR(S) : Robert P. Welsh

It is certified that error appears in the above-identified patent and that said Letters Patent is hereby corrected as shown below:

ON THE TITLE PAGE:

the title should appear as:

Item

(54) SIDE RIB PATTERN FOR A PLANER

the claim should appear as:

Item

(57) The ornamental design for a side rib pattern for a planer, as shown and described.

the description of Fig. 1 should appear as:

Fig. 1 is a left side perspective view from the front of a side rib pattern for a planer showing my new design;

Signed and Sealed this
Twelfth Day of May, 1998



BRUCE LEHMAN

Commissioner of Patents and Trademarks

Attest:

Attesting Officer