



US00D387065S

United States Patent [19]

[11] Patent Number: **Des. 387,065**

Volan et al.

[45] Date of Patent: ****Dec. 2, 1997**

[54] **TELECONFERENCING DEVICE**

[75] Inventors: **Gregory D. Volan, Boulder; James W. Kendall, Westminster, both of Colo.**

[73] Assignee: **Hello Direct, Inc., San Jose, Calif.**

[**] Term: **14 Years**

[21] Appl. No.: **49,341**

[22] Filed: **Jan. 23, 1996**

[51] LOC (6) Cl. **14-03**

[52] U.S. Cl. **D14/243; D14/240**

[58] Field of Search **D14/100, 101, D14/140, 240, 142, 155, 159, 225, 149-151, 218, 243; D21/48; 379/419, 420, 428, 440, 433-436; 348/14-18**

[56] **References Cited**

U.S. PATENT DOCUMENTS

- D. 266,509 10/1982 Marshall D14/100 X
- D. 268,342 3/1983 Genaro et al. D14/137

- D. 311,185 10/1990 Chiassi D14/142
- D. 346,598 5/1994 McCray et al. D14/159 X
- D. 346,800 5/1994 Hosoe D14/151
- D. 350,112 8/1994 Lin D13/108
- D. 368,721 4/1996 Howell et al. D14/240
- D. 369,601 5/1996 Tomoike D14/147 X

Primary Examiner—Jeffrey Asch
Attorney, Agent, or Firm—Haverstock & Associates

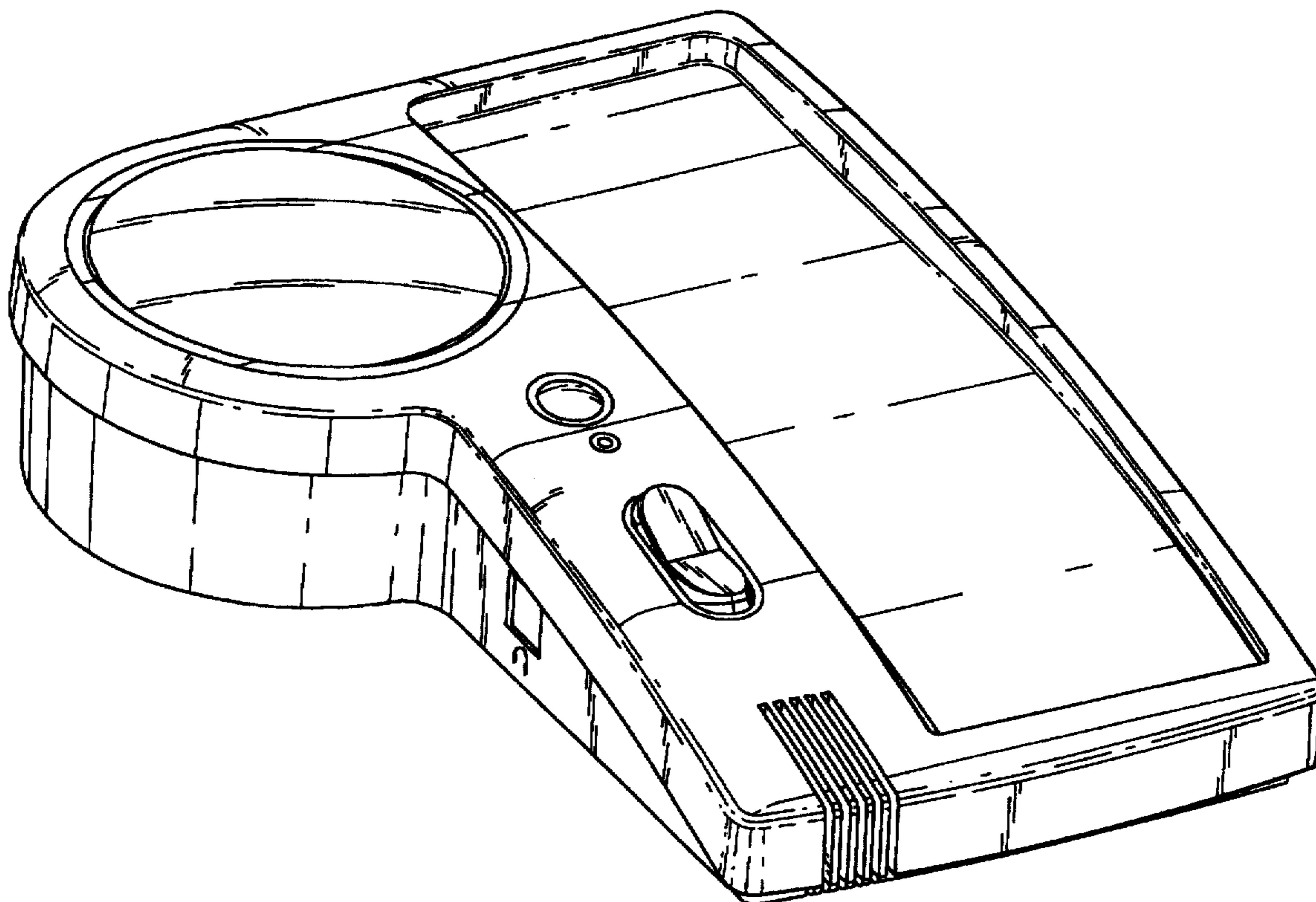
[57] **CLAIM**

The ornamental design for a teleconferencing device, as shown and described.

DESCRIPTION

FIG. 1 is a right side elevational view of a teleconferencing device showing our new design;
FIG. 2 is a top elevational view thereof;
FIG. 3 is a front side elevational view thereof;
FIG. 4 is a back side elevational view thereof;
FIG. 5 is a left side elevational view thereof;
FIG. 6 is a bottom elevational view thereof; and,
FIG. 7 is a perspective view thereof.

1 Claim, 3 Drawing Sheets



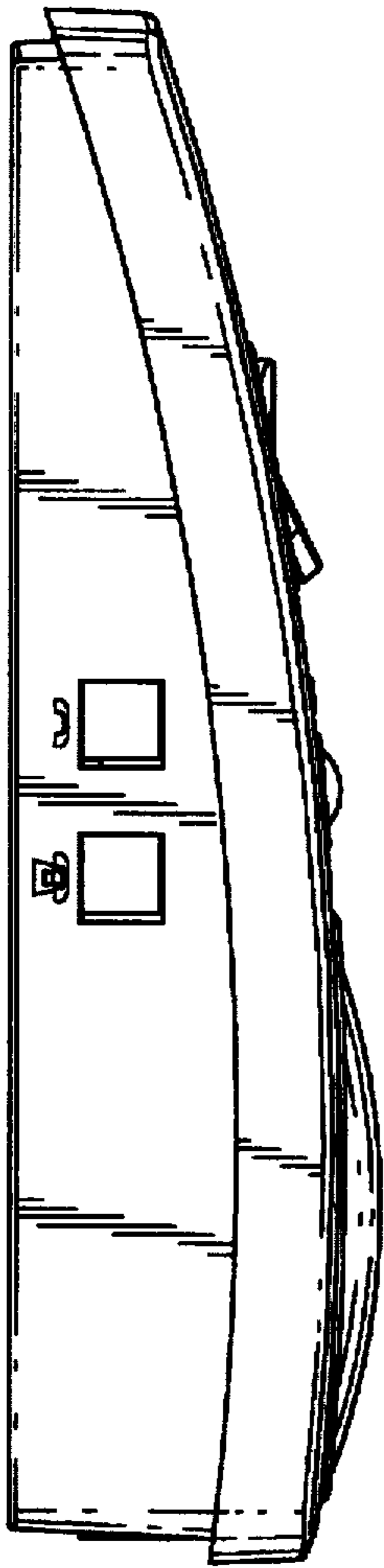


FIG. 1

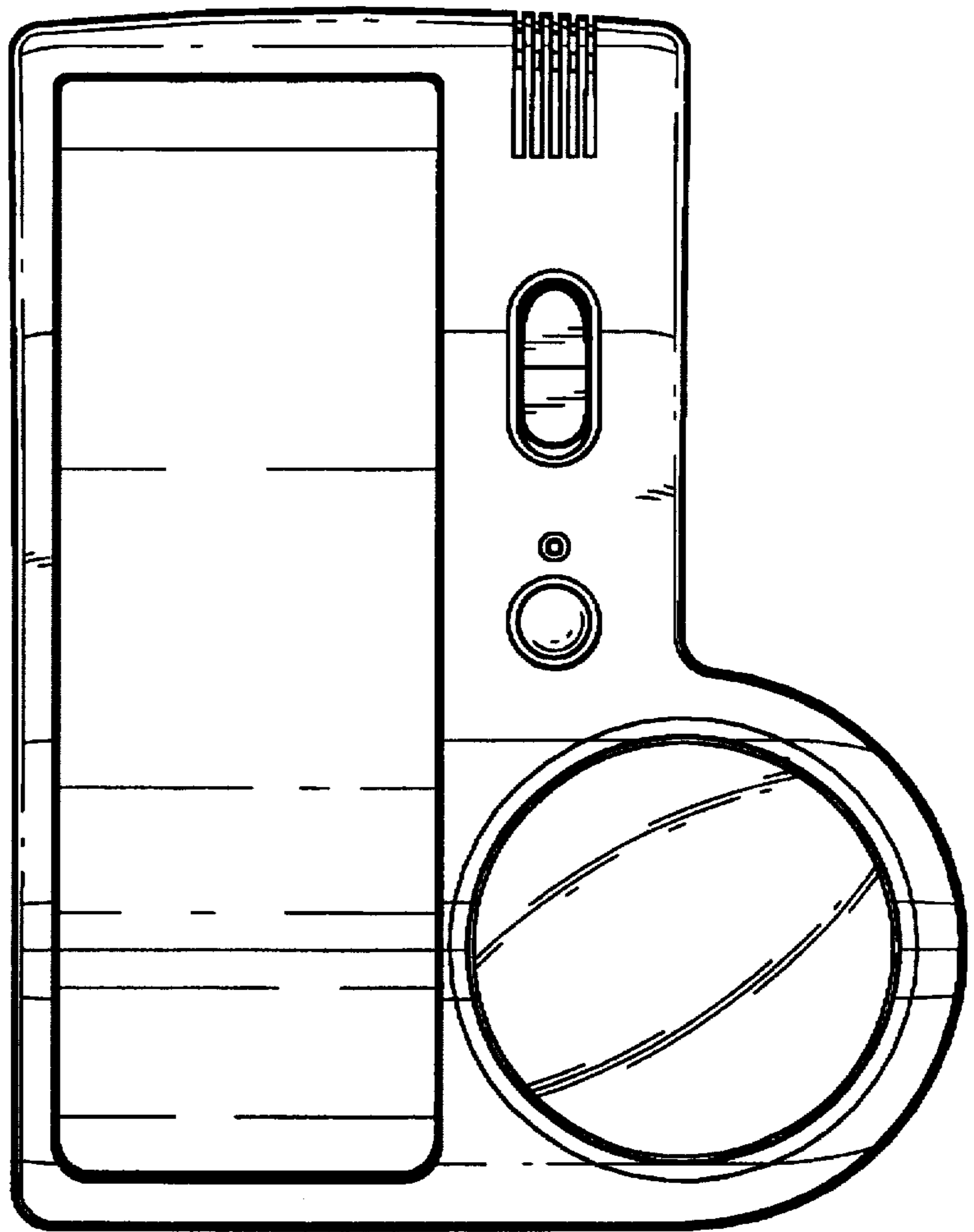


FIG. 2

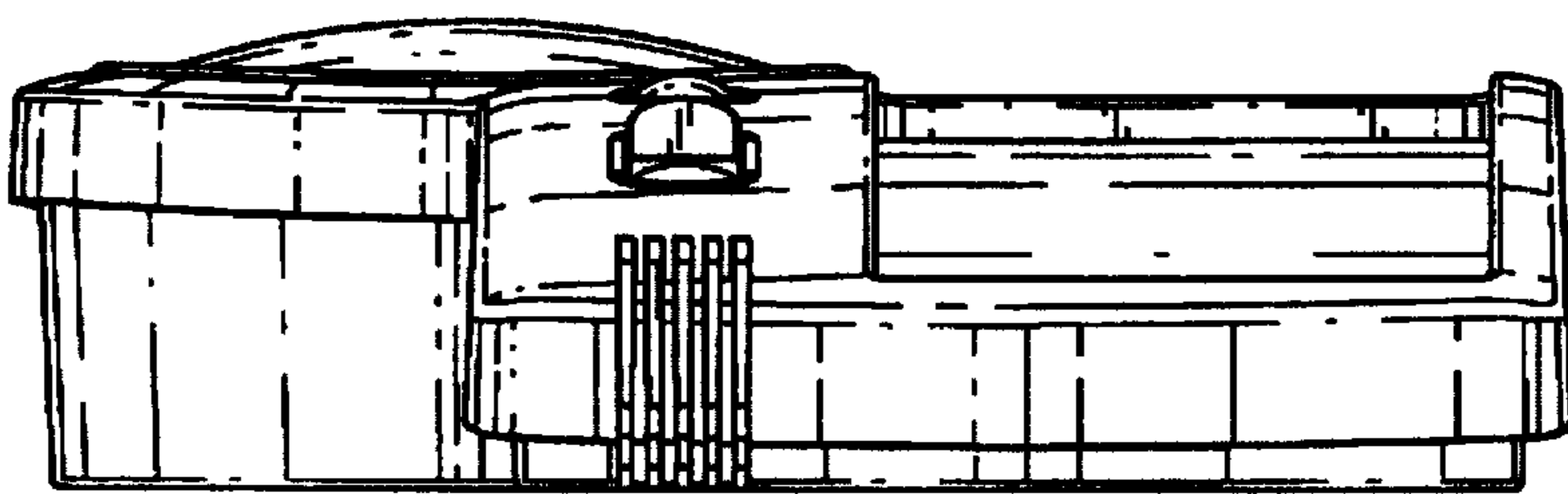


FIG. 3

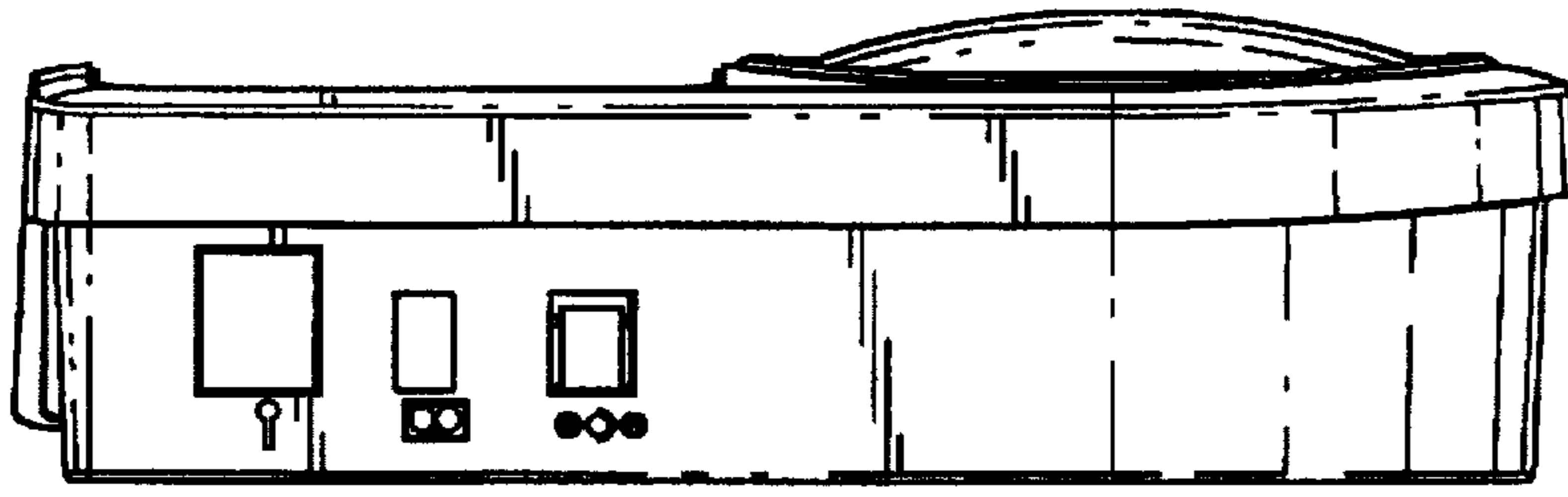


FIG. 4

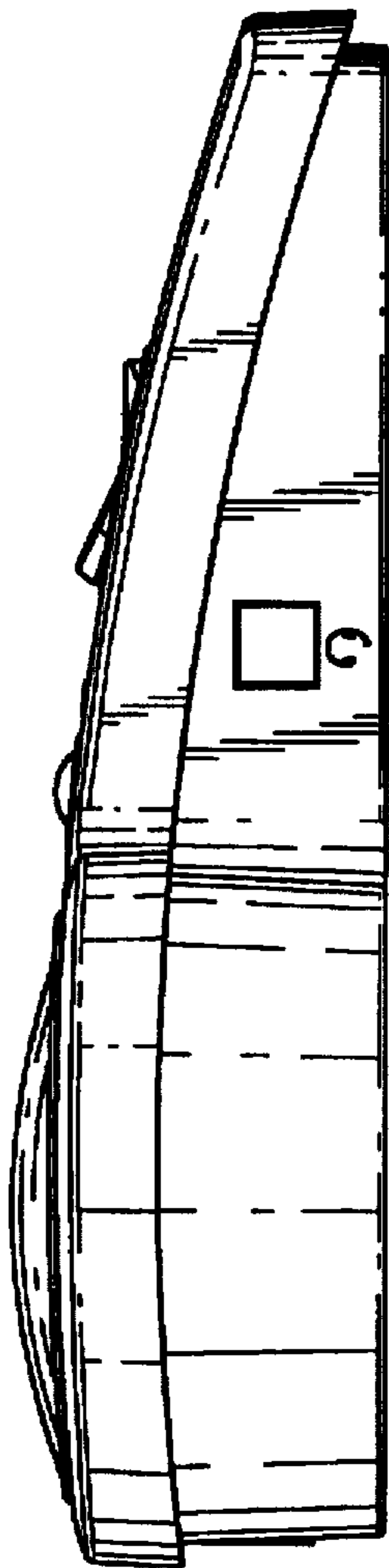


FIG. 5

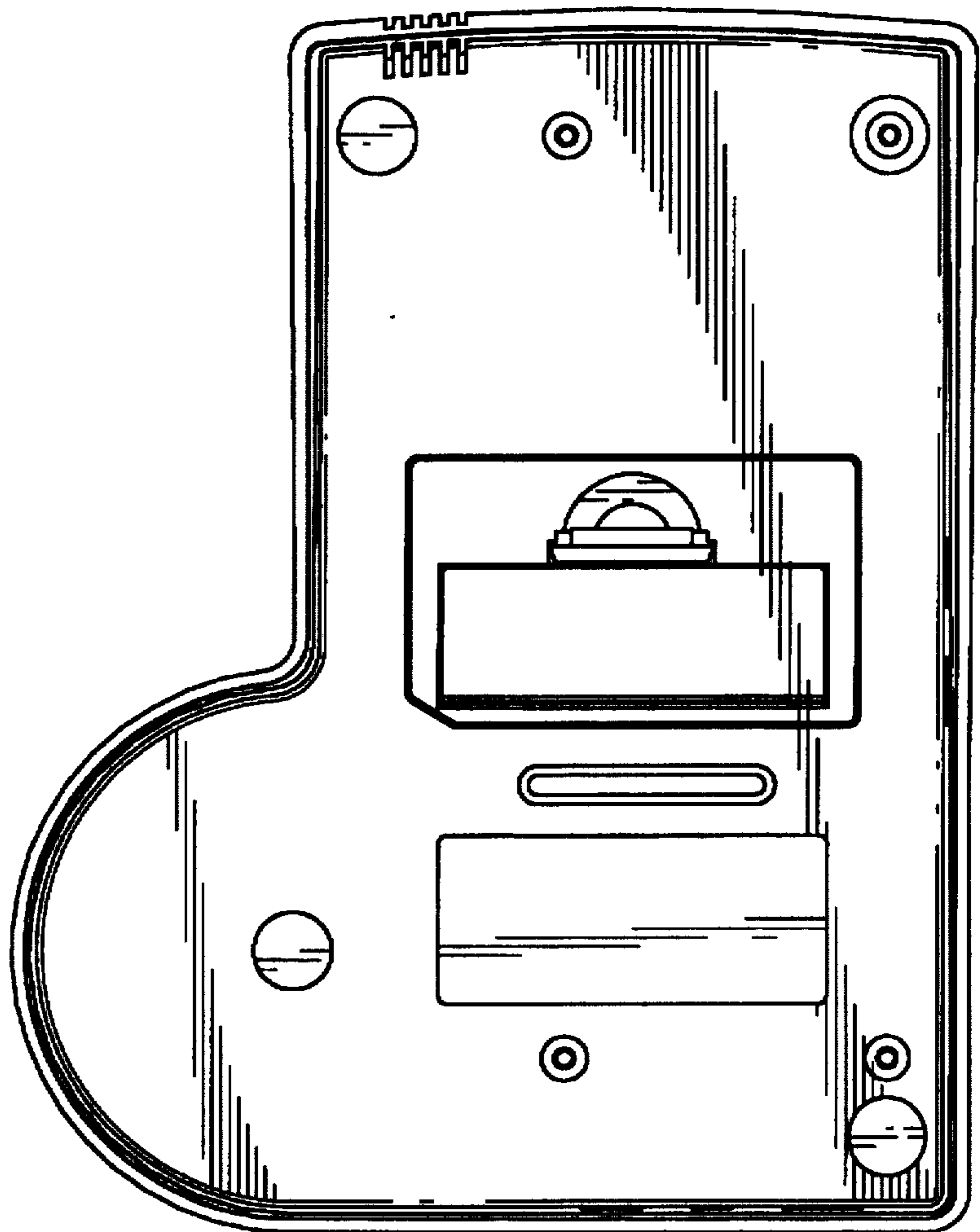


FIG. 6

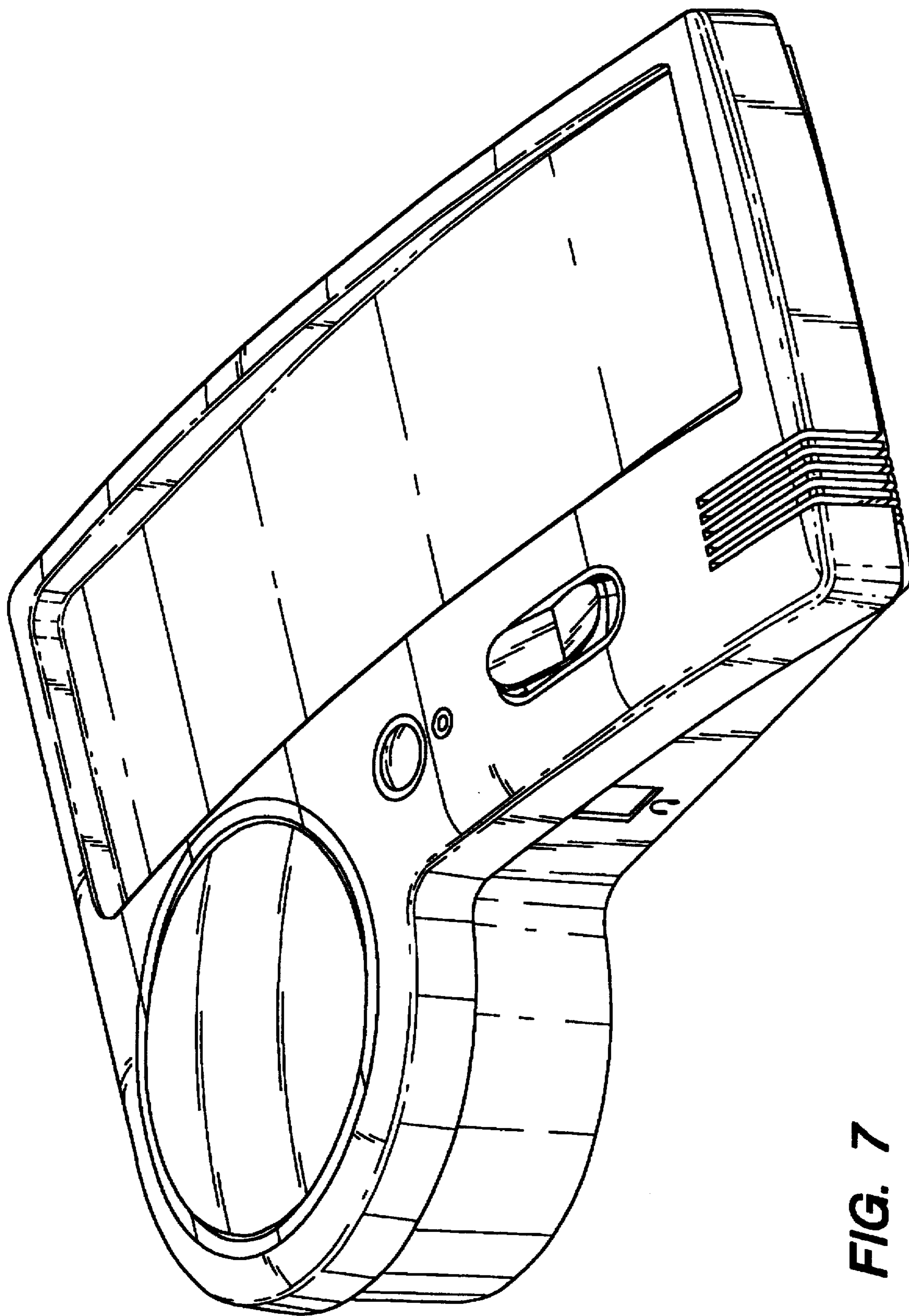


FIG. 7