



US00D387063S

# United States Patent [19]

[11] Patent Number: **Des. 387,063**

**Hillenmayer et al.**

[45] Date of Patent: **\*\*Dec. 2, 1997**

[54] **TELEPHONE KEY EXPANSION UNIT**

[75] Inventors: **Stefan Hillenmayer; Ulrich Skrypalle**, both of Munich, Germany; **Wayne E. McKinnon**, Georgetown, Tex.; **David E. Bryant**, Austin, Tex.; **Mary E. Kingsbury**, Dallas, Tex.; **Erich C. Elkins**, San Francisco, Calif.; **Doug A. Erwin**, Austin, Tex.

[73] Assignee: **Siemens Rolm Communications Inc.**, Santa Clara, Calif.

[\*\*] Term: **14 Years**

[21] Appl. No.: **40,342**

[22] Filed: **Jun. 15, 1995**

[51] LOC (6) Cl. .... **14-03**

[52] U.S. Cl. .... **D14/241**

[58] Field of Search ..... D14/140, 142, D14/149, 150, 218, 240, 241; 379/419, 420, 428, 440, 433-436, 441, 442

[56] **References Cited**

**U.S. PATENT DOCUMENTS**

D. 306,027	2/1990	Gagnon	.....	D14/241
D. 306,859	3/1990	Helstab et al.	.....	D14/241
D. 311,918	11/1990	Renard	.....	D14/151 X
D. 312,461	11/1990	Ando	.....	D14/241
D. 317,920	7/1991	Fuqua et al.	.....	D14/241

D. 319,235	8/1991	Sato	.....	D14/151
D. 340,057	10/1993	Wetzel et al.	.....	D14/241
D. 346,385	4/1994	Wetzel et al.	.....	D14/151
4,790,007	12/1988	Richter et al.	.....	379/435 X
5,373,556	12/1994	Johnson	.....	379/436

**OTHER PUBLICATIONS**

B. A. Pargh, 1992 Spring/Summer Catalog, Panasonic 6X16 Electronic Modular Switching System, p. 330, 2nd Article from top at far right.

*Primary Examiner*—Jeffrey Asch

[57] **CLAIM**

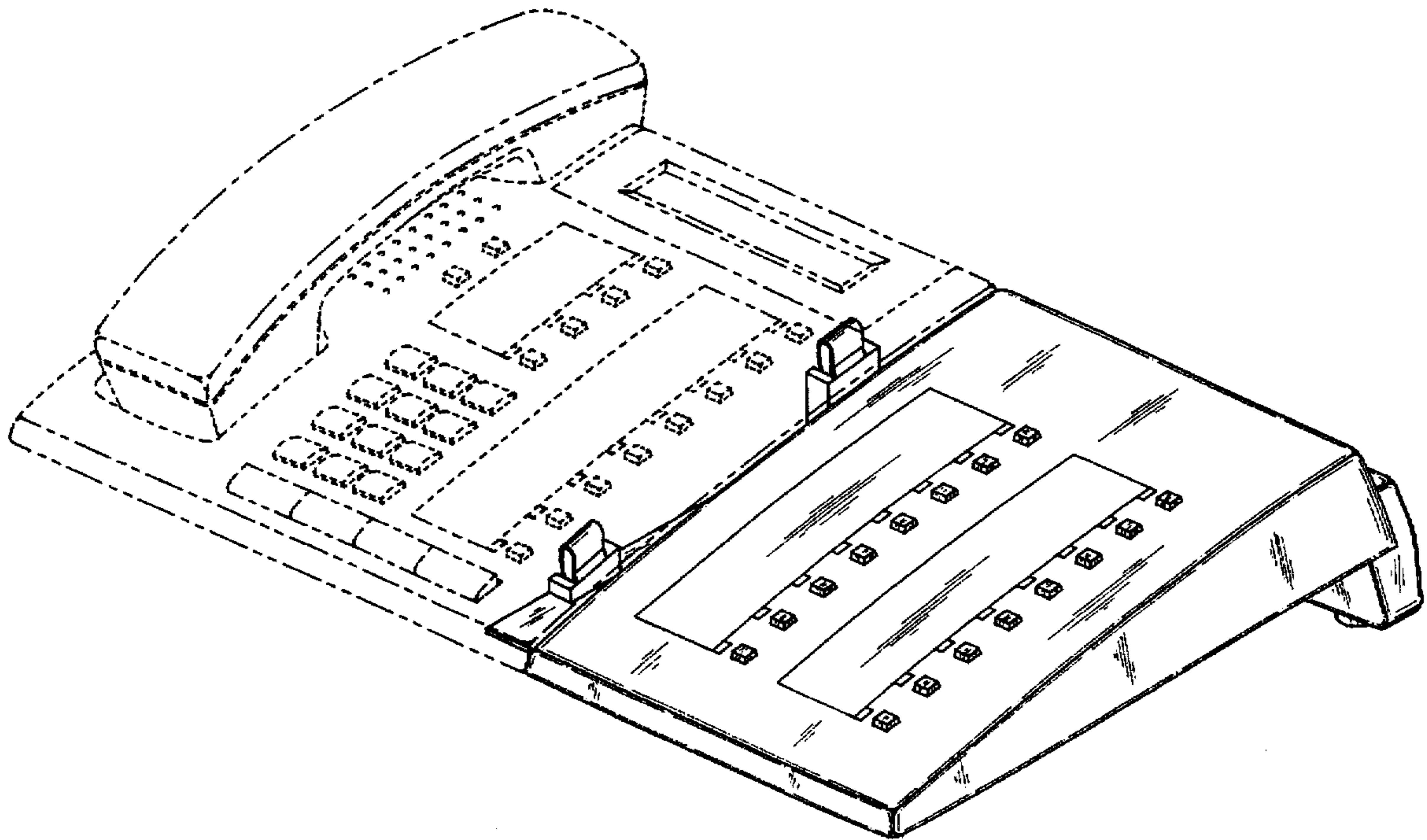
The ornamental design for a telephone key expansion unit, as shown and described.

**DESCRIPTION**

FIG. 1 is a perspective view of the telephone key expansion unit of the present invention; FIG. 2 is a top view; FIG. 3 is a front elevational view; FIG. 4 is a right-side elevational view; FIG. 5 is a left-side elevational view; FIG. 6 is a rear elevational view; and, FIG. 7 is a bottom view.

The broken lines showing of a telephone in FIG. 1 is for illustrative purposes only and forms no part of the claimed design.

**1 Claim, 4 Drawing Sheets**



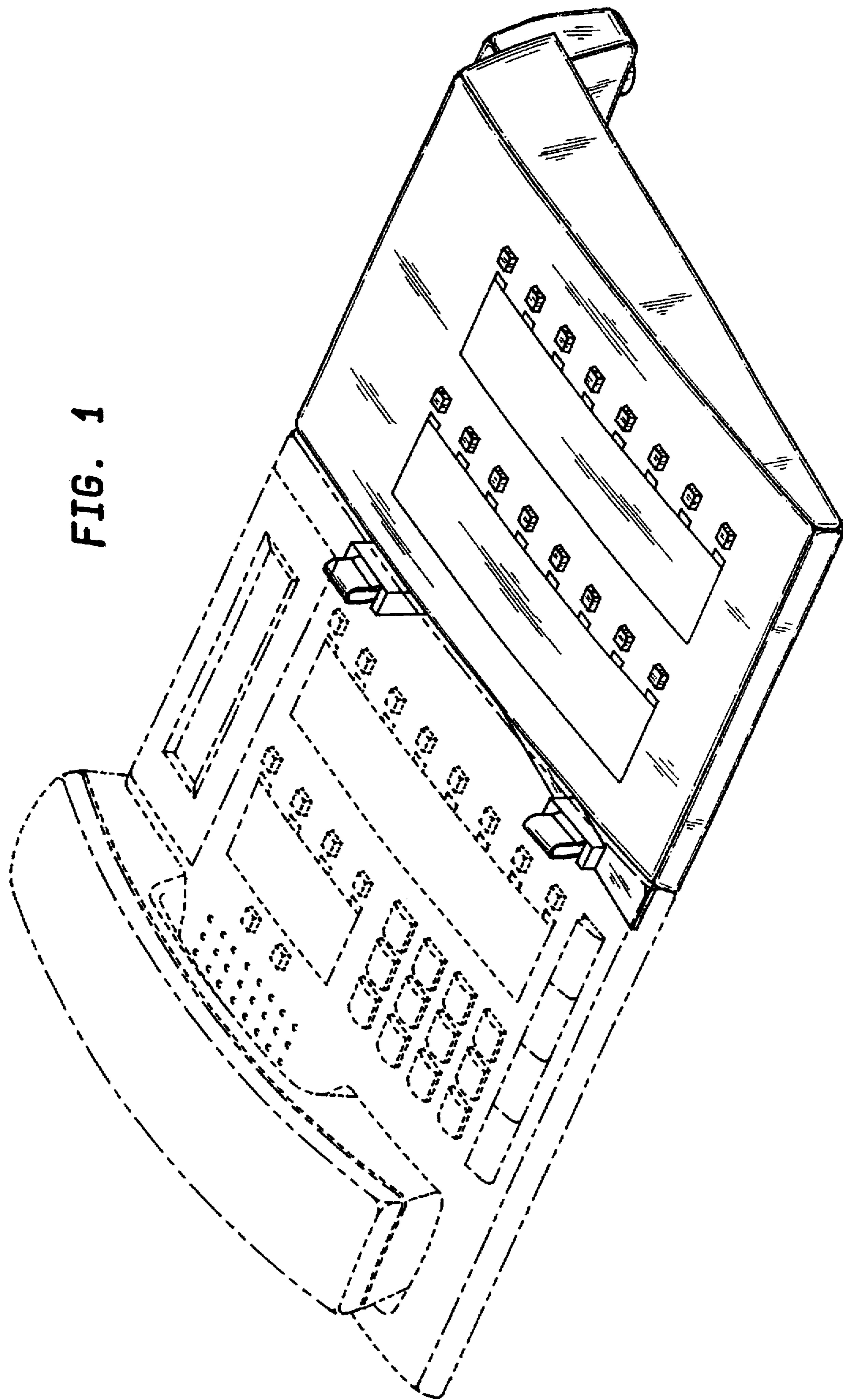


FIG. 1

FIG. 2

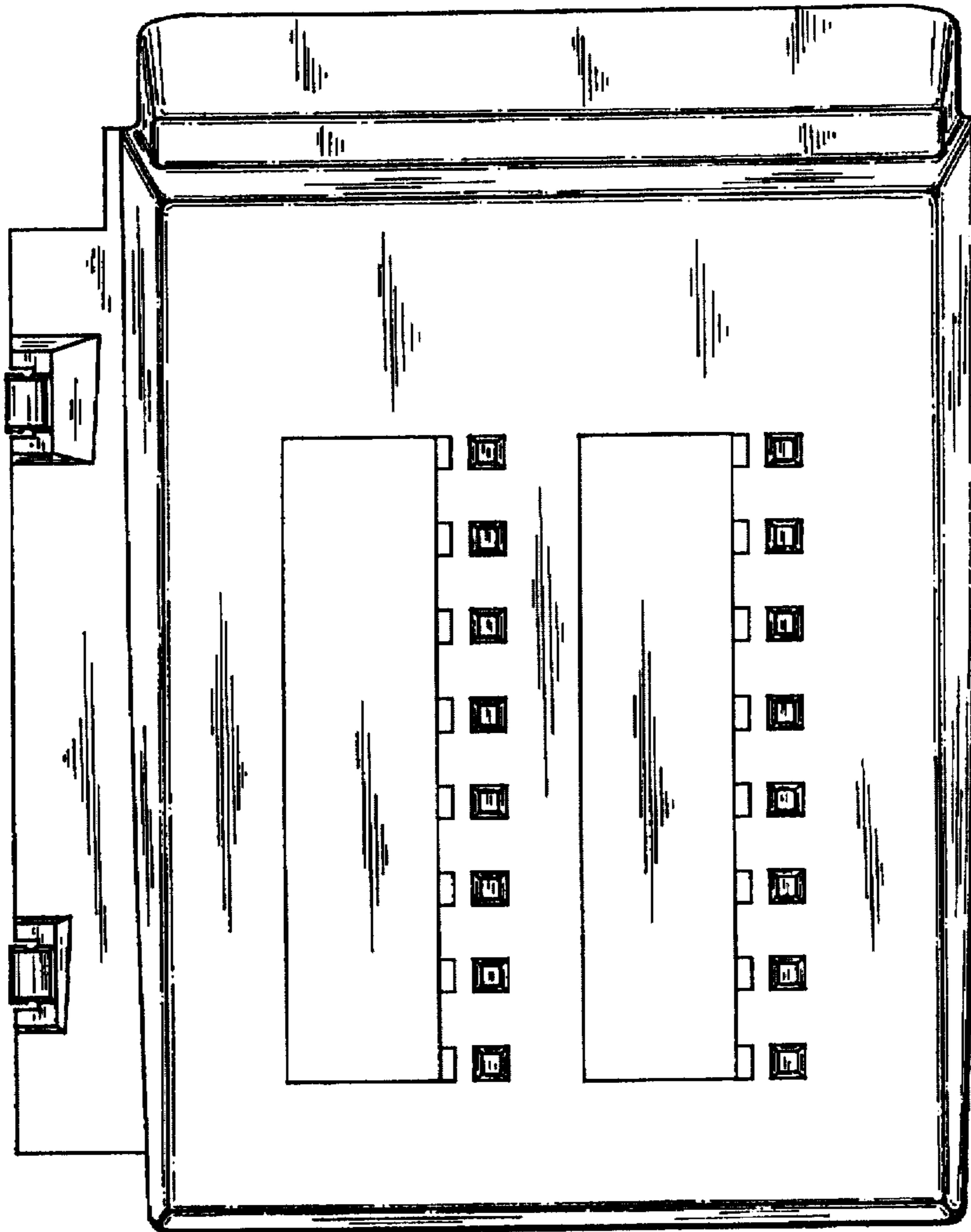


FIG. 3

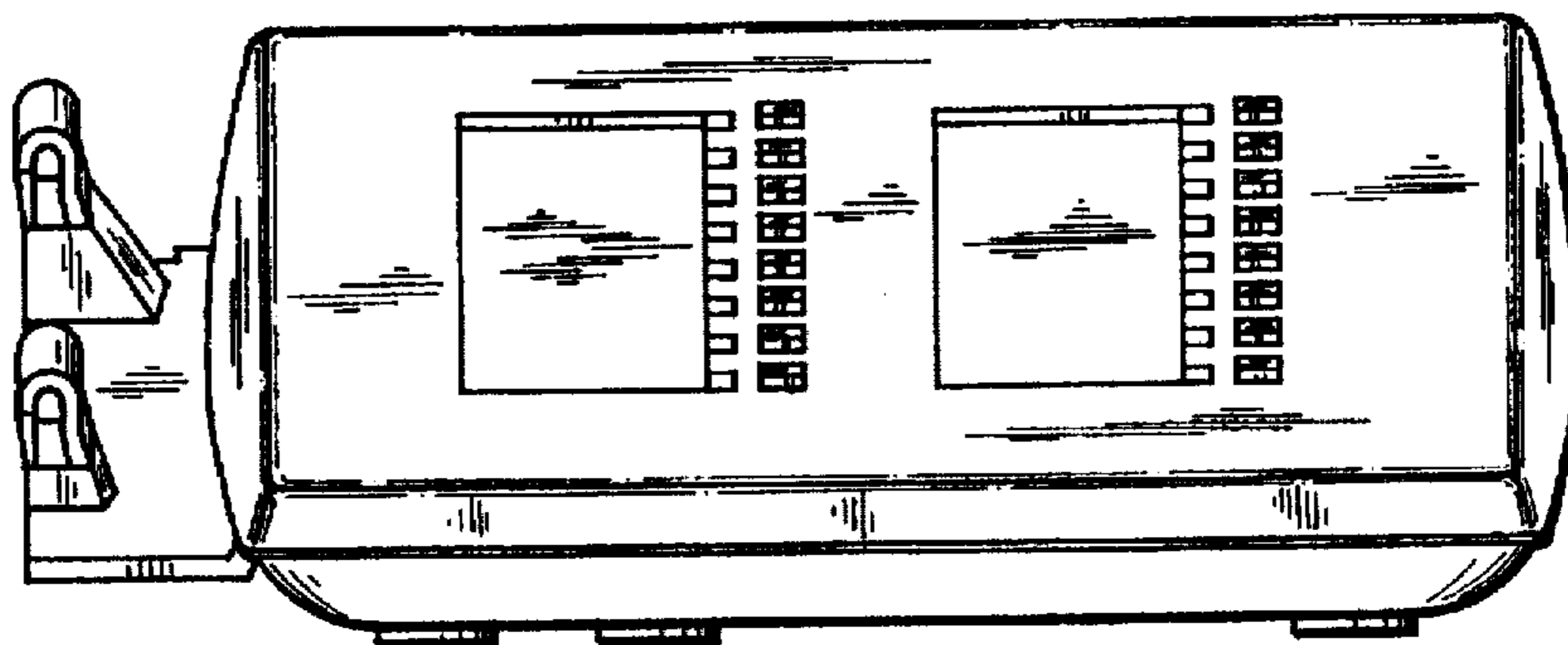


FIG. 4

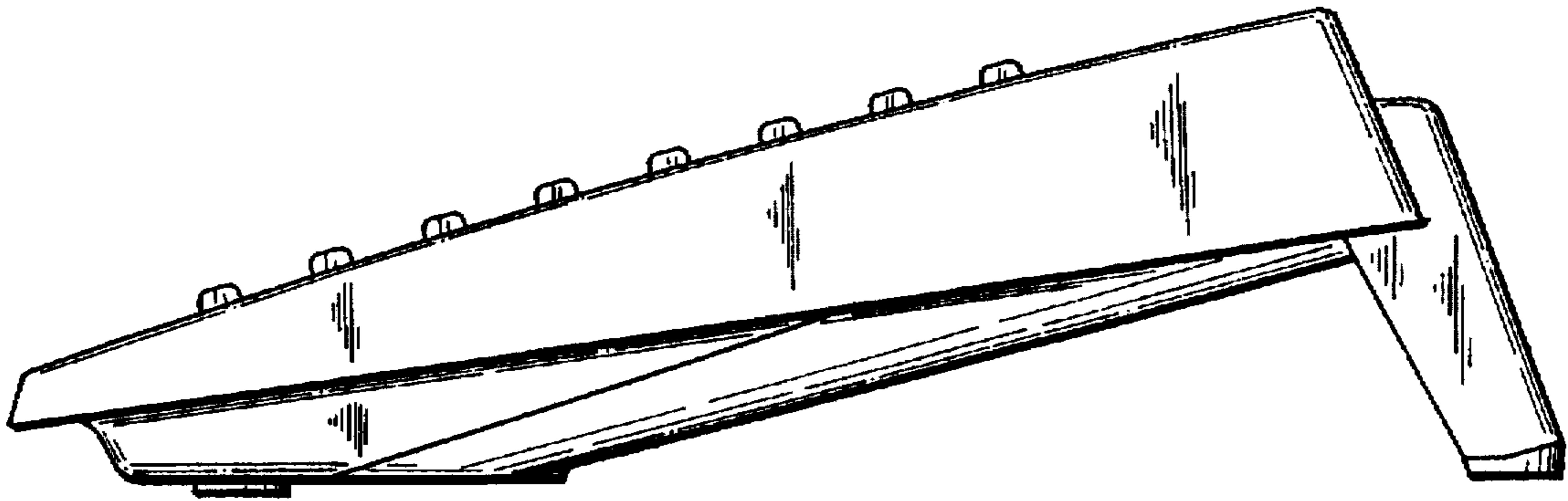


FIG. 5

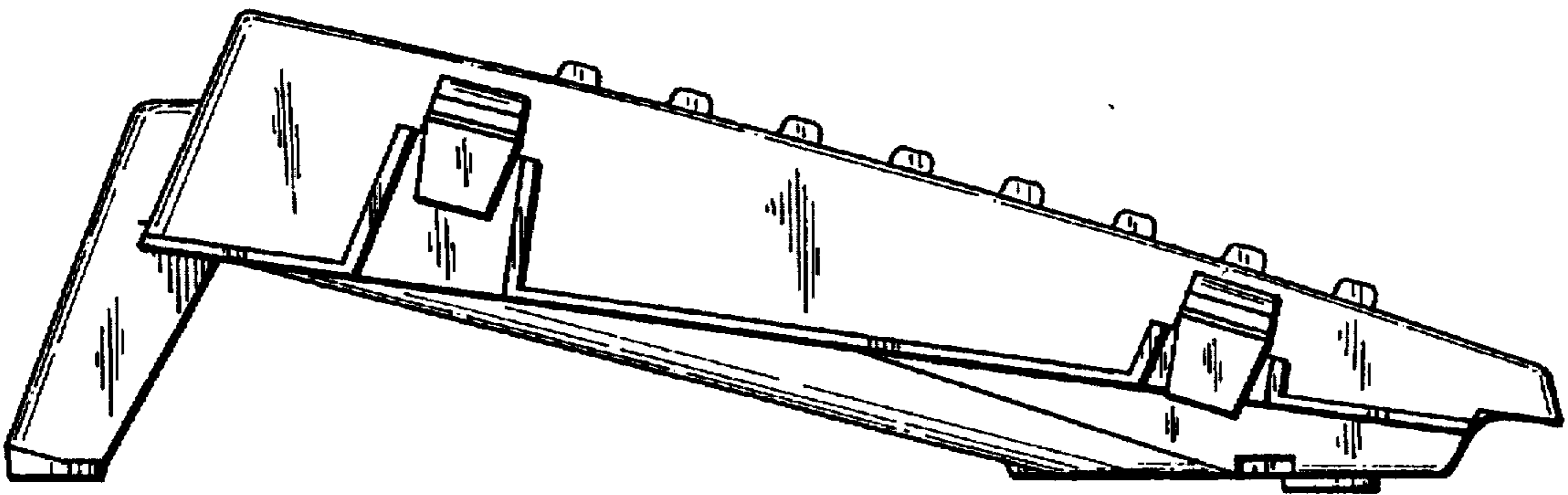


FIG. 6

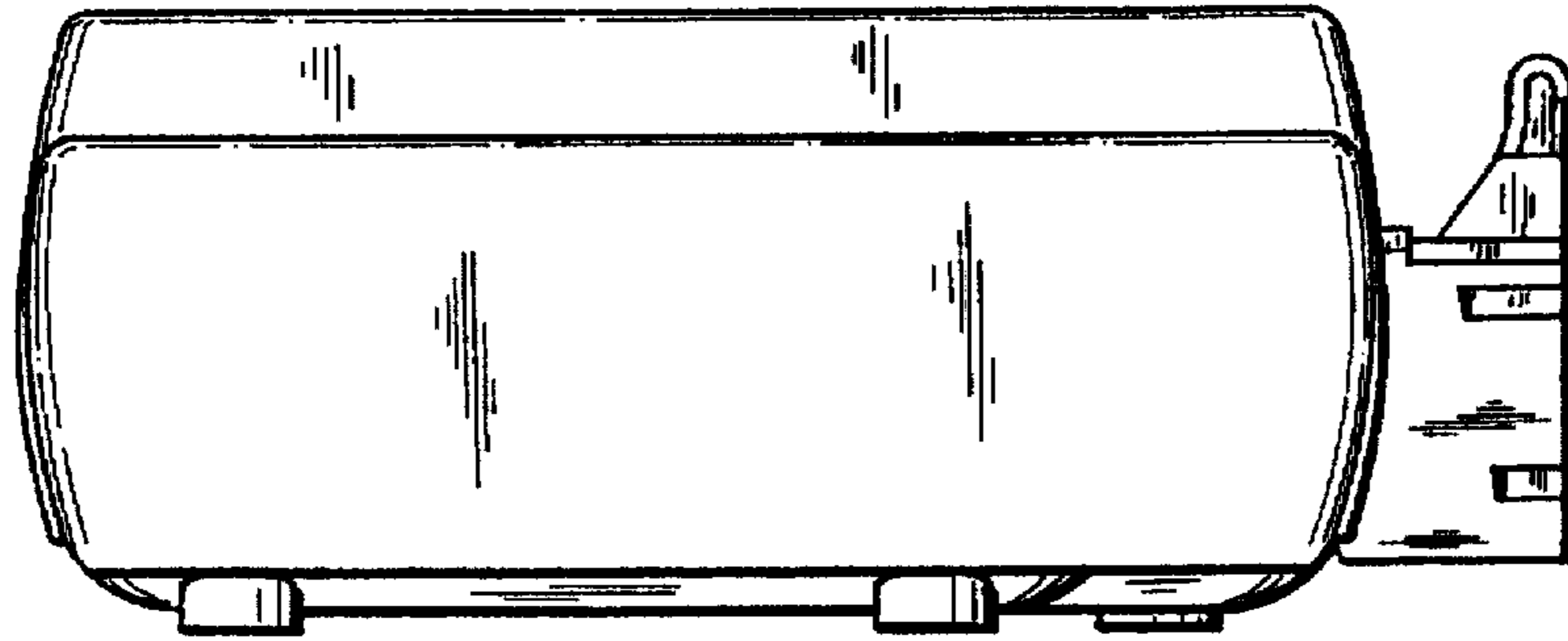


FIG. 7

