



US00D387062S

# United States Patent [19]

Heine

[11] Patent Number: **Des. 387,062**

[45] Date of Patent: **\*\*Dec. 2, 1997**

[54] **RETRACTABLE CORD ANTENNA**

[75] Inventor: **Martin Heine, Troy, Ohio**

[73] Assignee: **Valor Enterprises, Inc., Piqua, Ohio**

[\*\*] Term: **14 Years**

D. 350,137 8/1994 Watanabe ..... D14/238  
 2,537,481 1/1951 Parsons ..... 343/877 X  
 2,904,272 9/1959 Barrett ..... 242/917 X  
 4,088,276 5/1978 Littleton ..... 242/398  
 4,692,770 9/1987 Kadokura ..... 343/880 X  
 4,743,917 5/1988 Huntsman et al. .... 343/877

### OTHER PUBLICATIONS

Overton's , p. 15, Item A, Connector At Bottom Thereof.

Primary Examiner—Jeffrey Asch  
Attorney, Agent, or Firm—Jacox, Meckstroth & Jenkins

[21] Appl. No.: **54,903**

[22] Filed: **May 24, 1996**

[51] LOC (6) Cl. .... **14-03**

[52] U.S. Cl. .... **D14/230; D8/358; D10/72; D19/69**

[58] Field of Search ..... **D14/230-238; D8/8, 358; D10/72; D19/67-69; 242/170, 129, 398, 403, 917; 343/877, 880, 713, 715; D13/140**

### [57] CLAIM

The ornamental design of a retractable cord antenna, as shown and described.

### DESCRIPTION

FIG. 1 is a perspective view of a retractable cord antenna showing my new design;

FIG. 2 is a top view thereof;

FIG. 3 is a bottom view thereof;

FIG. 4 is a view of one side thereof;

FIG. 5 is a view of the opposite side thereof;

FIG. 6 is a front view thereof; and,

FIG. 7 is a rear view thereof.

### [56] References Cited

#### U.S. PATENT DOCUMENTS

D. 217,835 6/1970 Henkels ..... D10/72  
 D. 248,010 5/1978 McKinnon et al. .... D8/358 X  
 D. 289,851 5/1987 Huen ..... D8/358  
 D. 316,030 4/1991 Adielsson ..... D8/358  
 D. 316,666 5/1991 Ishimaru ..... D8/358  
 D. 346,170 4/1994 Tang ..... D14/230  
 D. 348,691 7/1994 Bell et al. .... D10/72 X

**1 Claim, 2 Drawing Sheets**

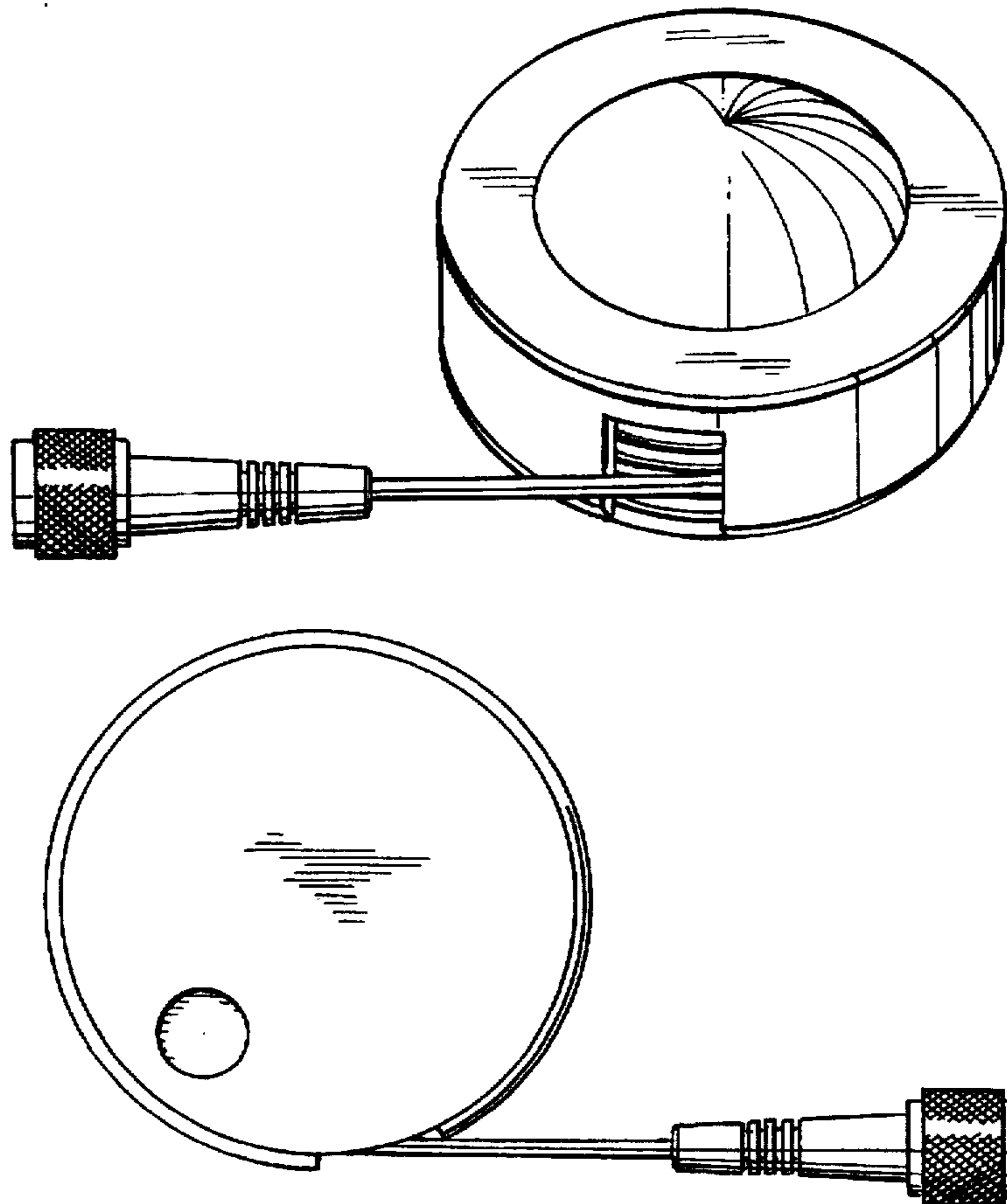


FIG-1

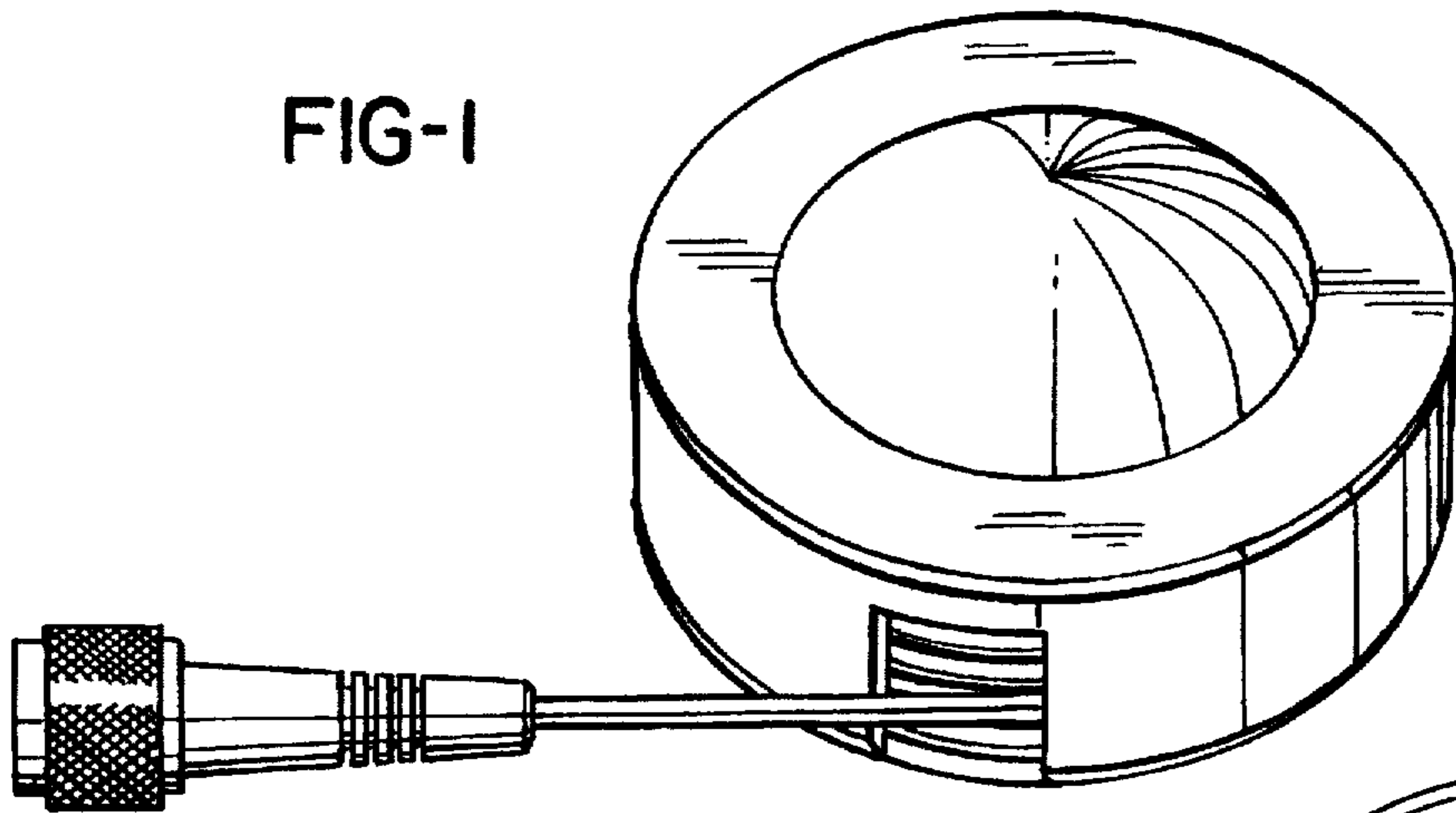


FIG-2

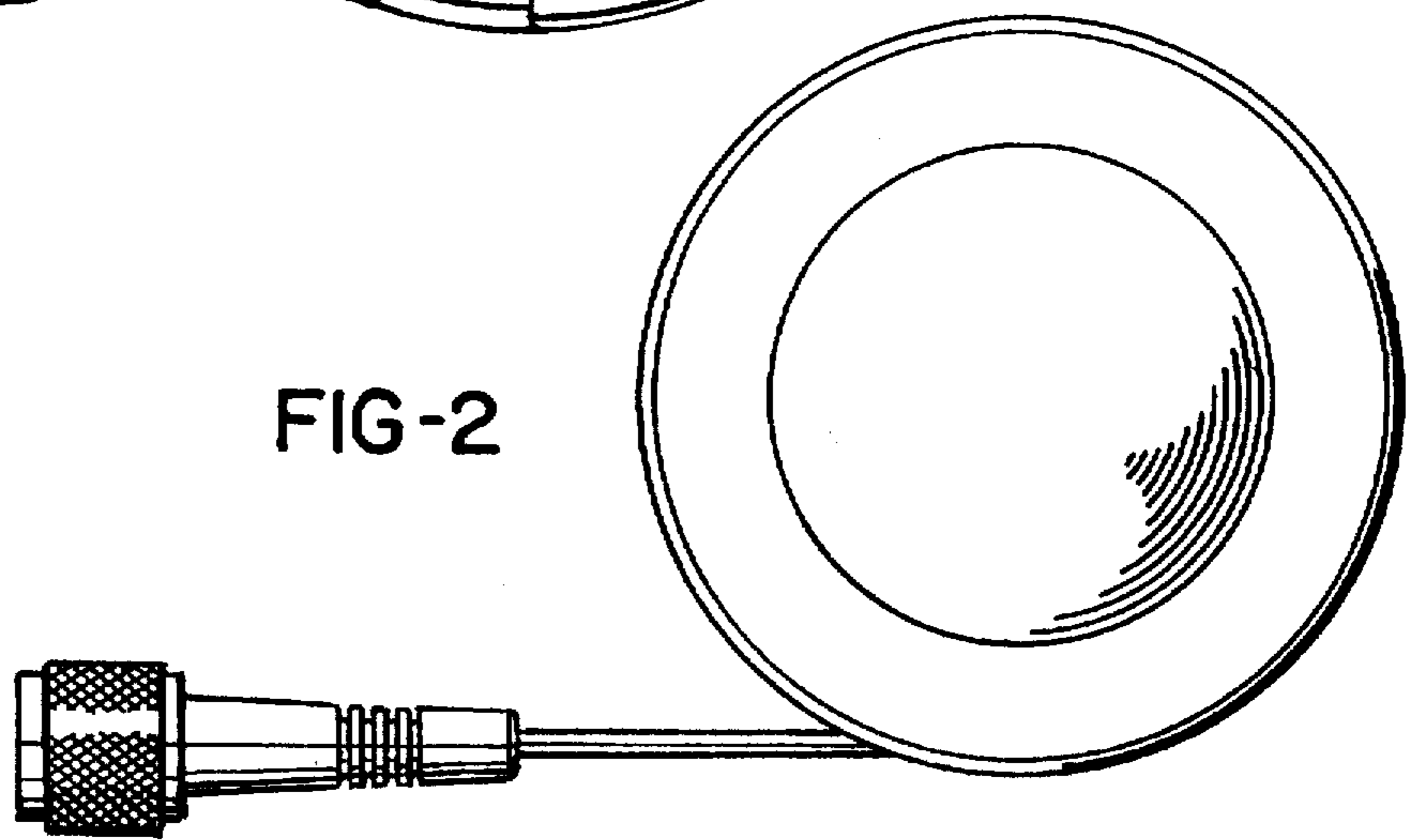


FIG-3

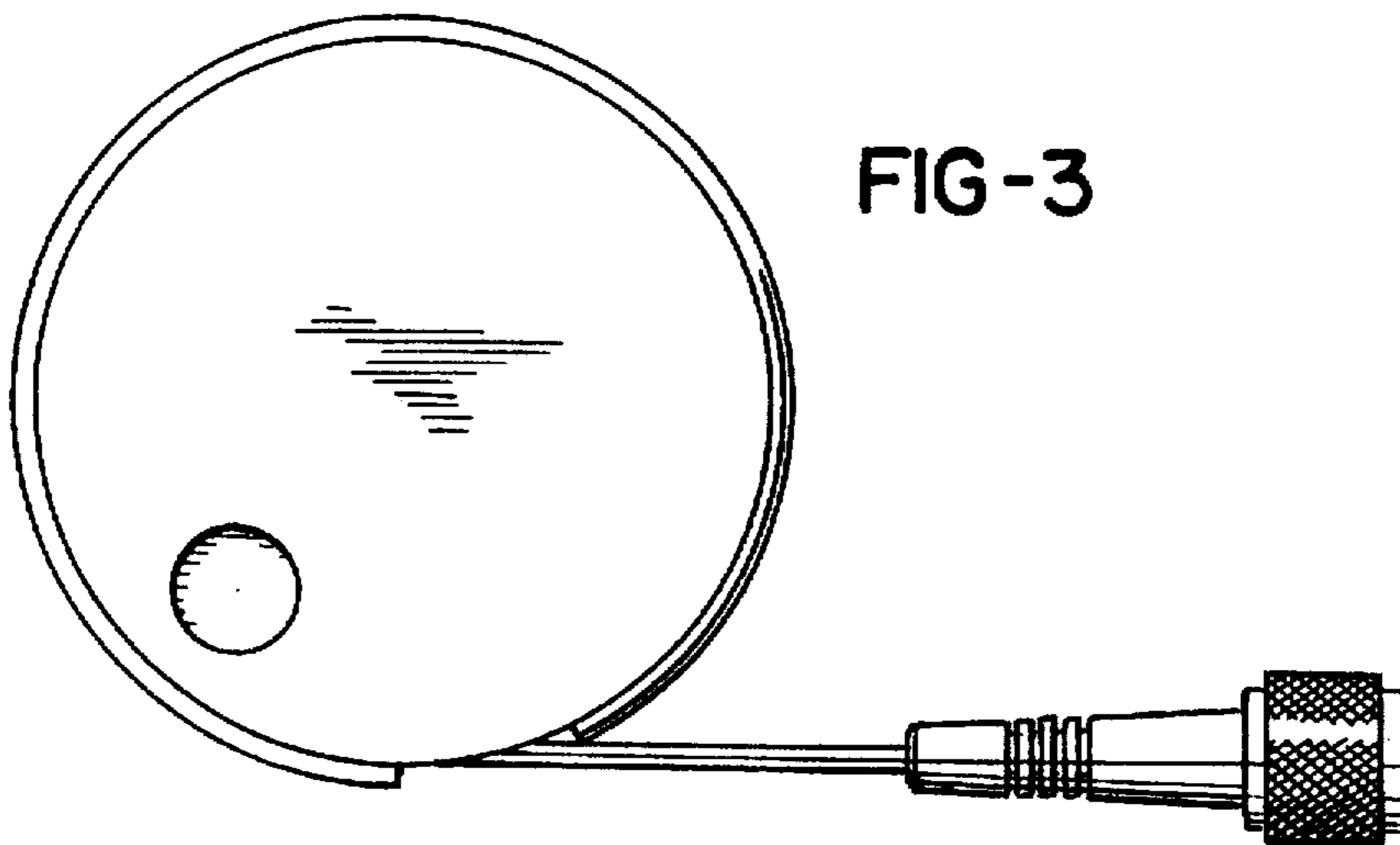


FIG-4

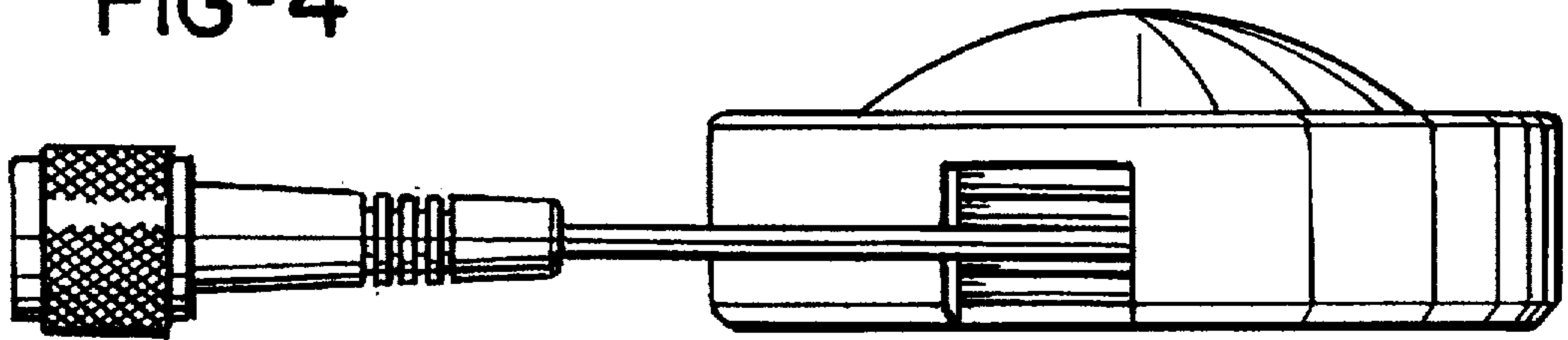


FIG-5

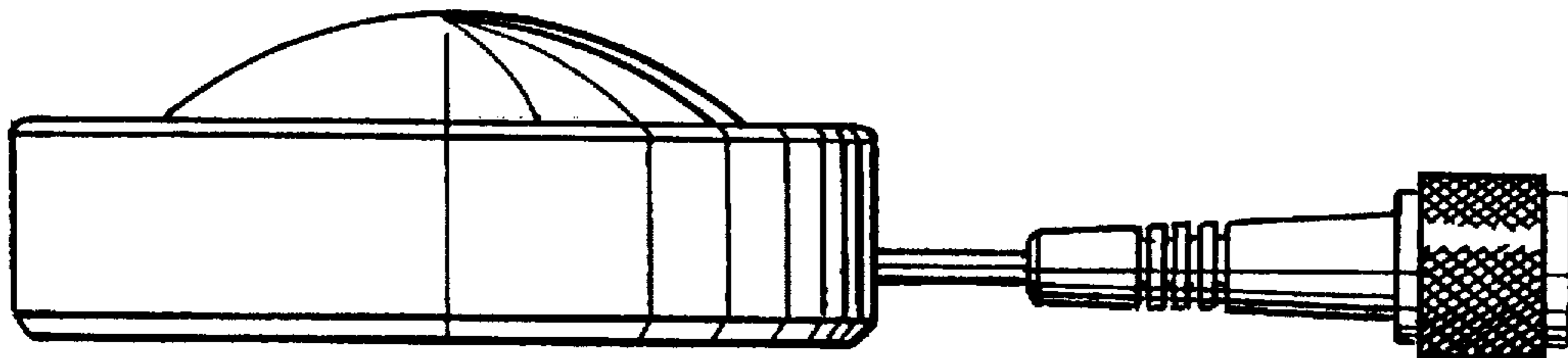


FIG-6

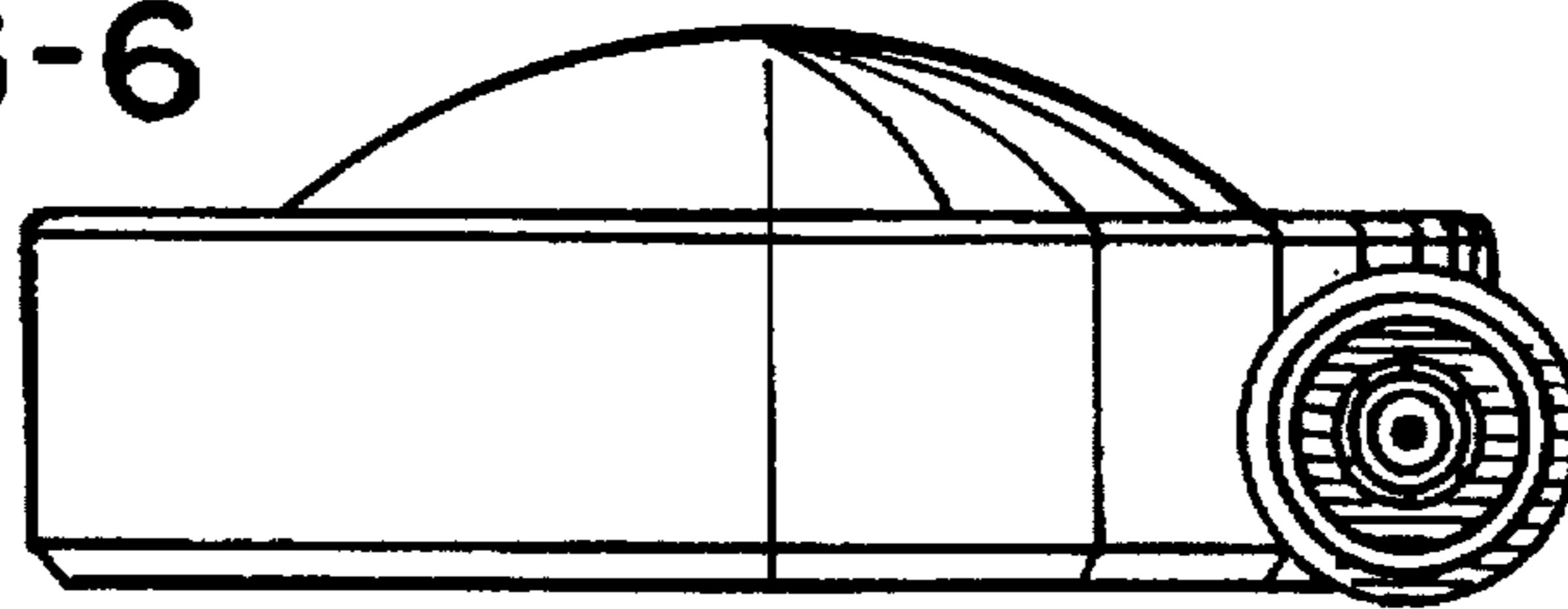


FIG-7

