



US00D387056S

United States Patent [19]
Yoneyama

[11] **Patent Number: Des. 387,056**
[45] **Date of Patent: **Dec. 2, 1997**

[54] **TELEPHONE SET**

[75] **Inventor: Takahisa Yoneyama, Yokohama, Japan**

[73] **Assignee: Kabushiki Kaisha Toshiba, Kawasaki, Japan**

[**] **Term: 14 Years**

[21] **Appl. No.: 61,006**

[22] **Filed: Oct. 15, 1996**

[30] **Foreign Application Priority Data**

Apr. 15, 1996 [JP] Japan 8-10781

[51] **LOC (6) Cl. 14-03**

[52] **U.S. Cl. D14/151; D14/241**

[58] **Field of Search D14/140, 142, D14/147-151, 137-138, 240, 241, 144, 141; 379/419, 420, 428, 440, 433-436, 454, 455; 455/89, 90**

[56] **References Cited**

U.S. PATENT DOCUMENTS

- D. 267,873 2/1983 Brown et al. D14/151
- D. 288,810 3/1987 Ando D14/151
- D. 295,513 5/1988 Brown et al. D14/151
- D. 306,295 2/1990 Nagele D14/151
- D. 313,235 12/1990 Kido et al. D14/151 X
- D. 320,797 10/1991 Kido et al. D14/151
- D. 321,873 11/1991 Ando D14/241 X
- D. 321,874 11/1991 Ando D14/151
- D. 321,875 11/1991 Ando D14/241 X
- D. 322,612 12/1991 Abrams .
- D. 323,827 2/1992 Kido et al. D14/241

- D. 332,263 1/1993 Taniguchi .
- D. 366,484 1/1996 Levin D14/241 X
- D. 375,094 10/1996 Toh D14/151

FOREIGN PATENT DOCUMENTS

873883 7/1993 Japan .

OTHER PUBLICATIONS

Pana EXA Ace; Jul. 5, 1995.
Panaphone Digital; Apr. 2, 1992.
B. A. Pargh 1992 Spring/Summer Catalog, p. 326, ITT 22 Number Memory Speakerphone 2nd from Bottom Right.

Primary Examiner—Jeffrey Asch
Attorney, Agent, or Firm—Oblon, Spivak, McClelland, Maier & Neustadt, P.C.

[57] **CLAIM**

The ornamental design for a telephone set, as shown and described.

DESCRIPTION

FIG. 1 is a front, top and left side perspective view of a telephone set, showing my new design;
FIG. 2 is a front elevational view thereof;
FIG. 3 is a rear elevational view thereof;
FIG. 4 is a right side elevational view thereof;
FIG. 5 is a top plan view thereof;
FIG. 6 is a bottom plan view thereof;
FIG. 7 is a left side elevational view thereof;
FIG. 8 is a top plan view thereof with a handset removed; and,
FIG. 9 is a left side elevational view with a handset removed.

1 Claim, 3 Drawing Sheets

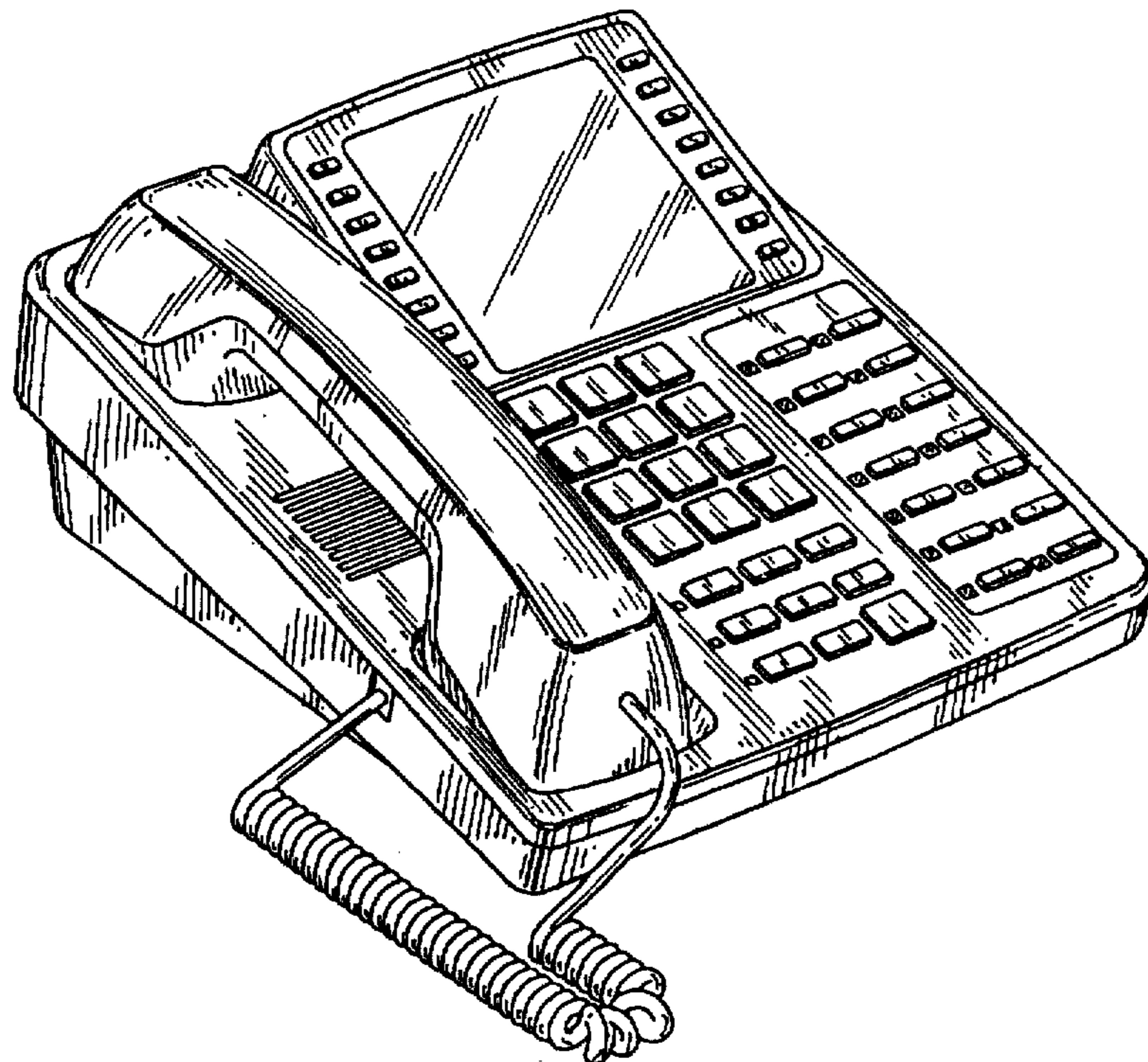


FIG. 1

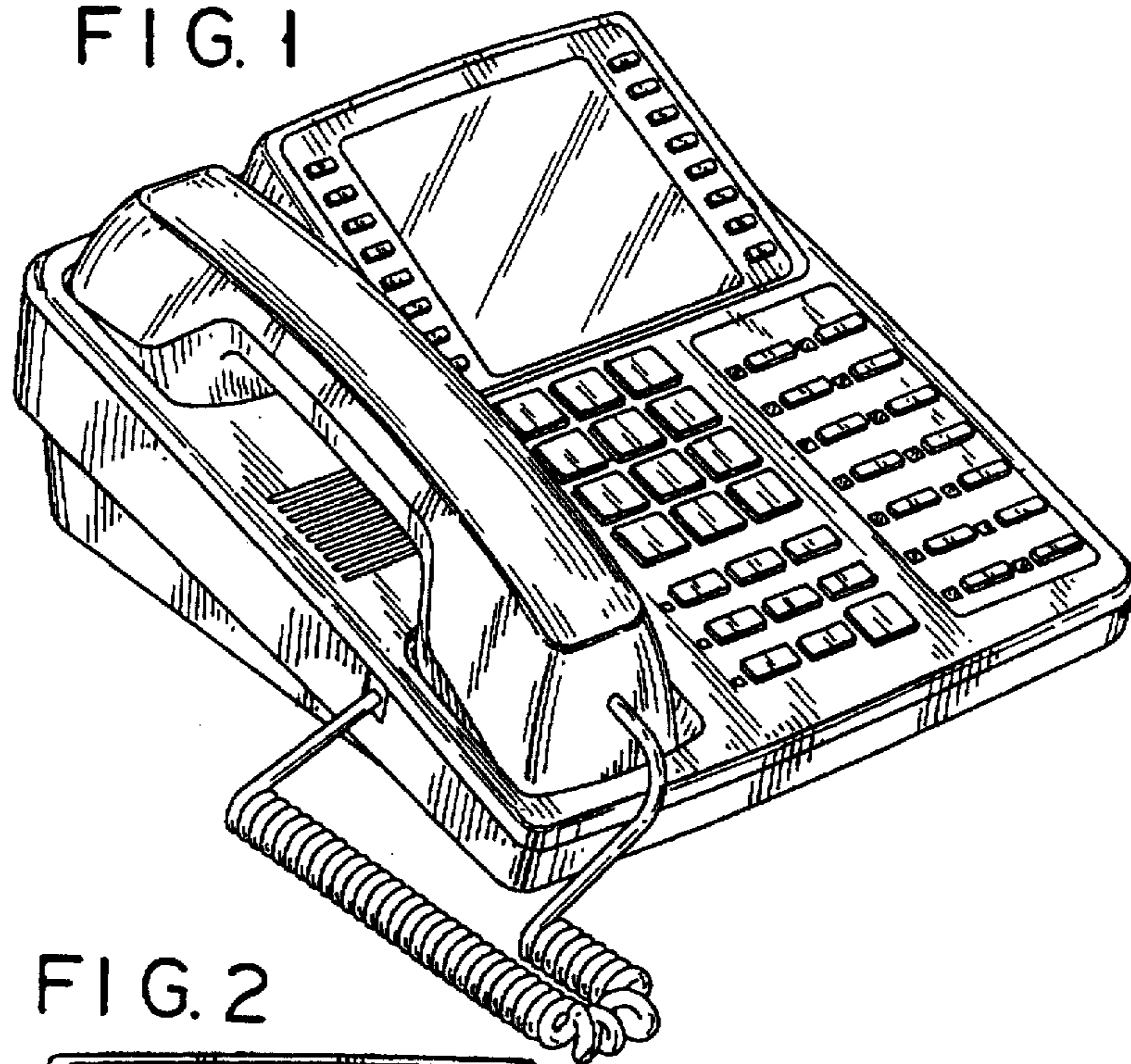


FIG. 2

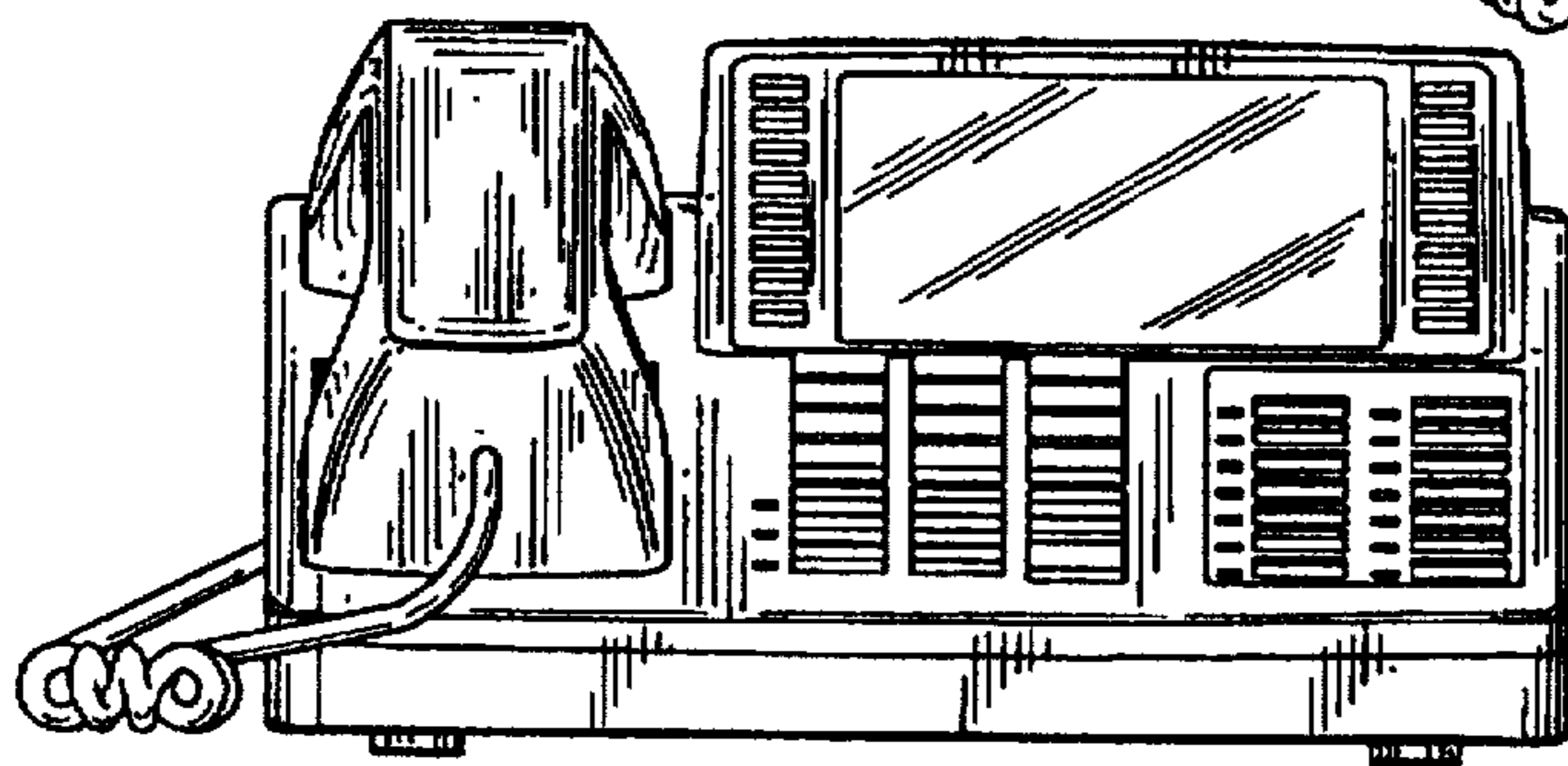


FIG. 3

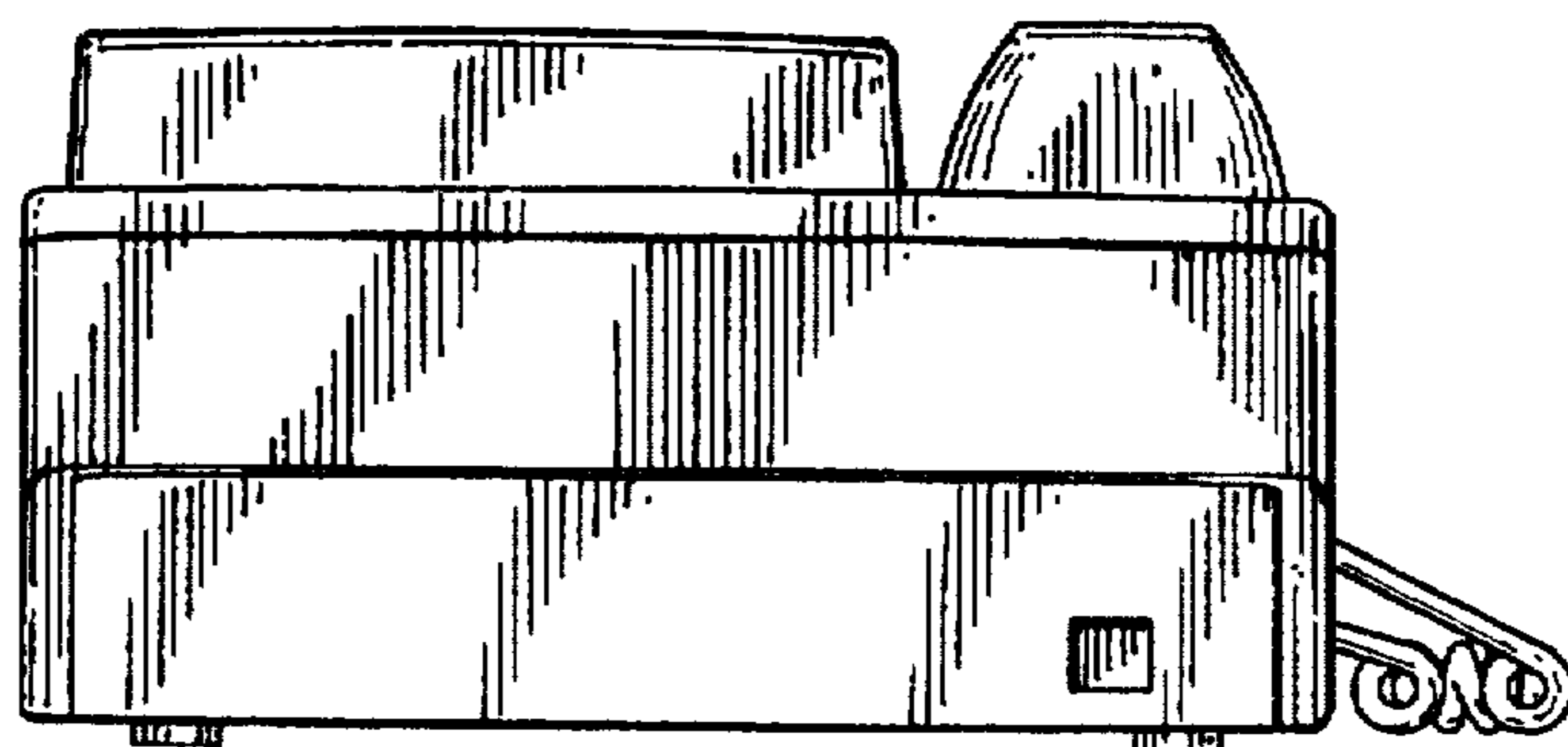


FIG. 4

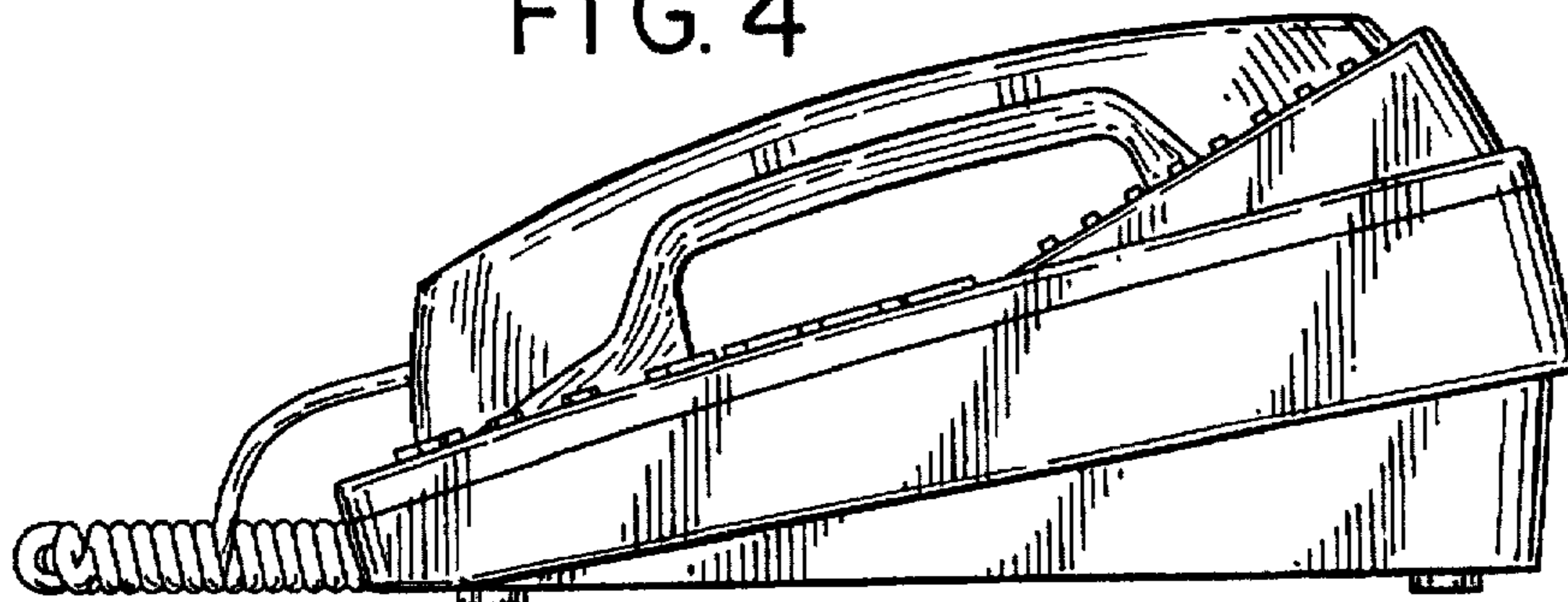


FIG. 5

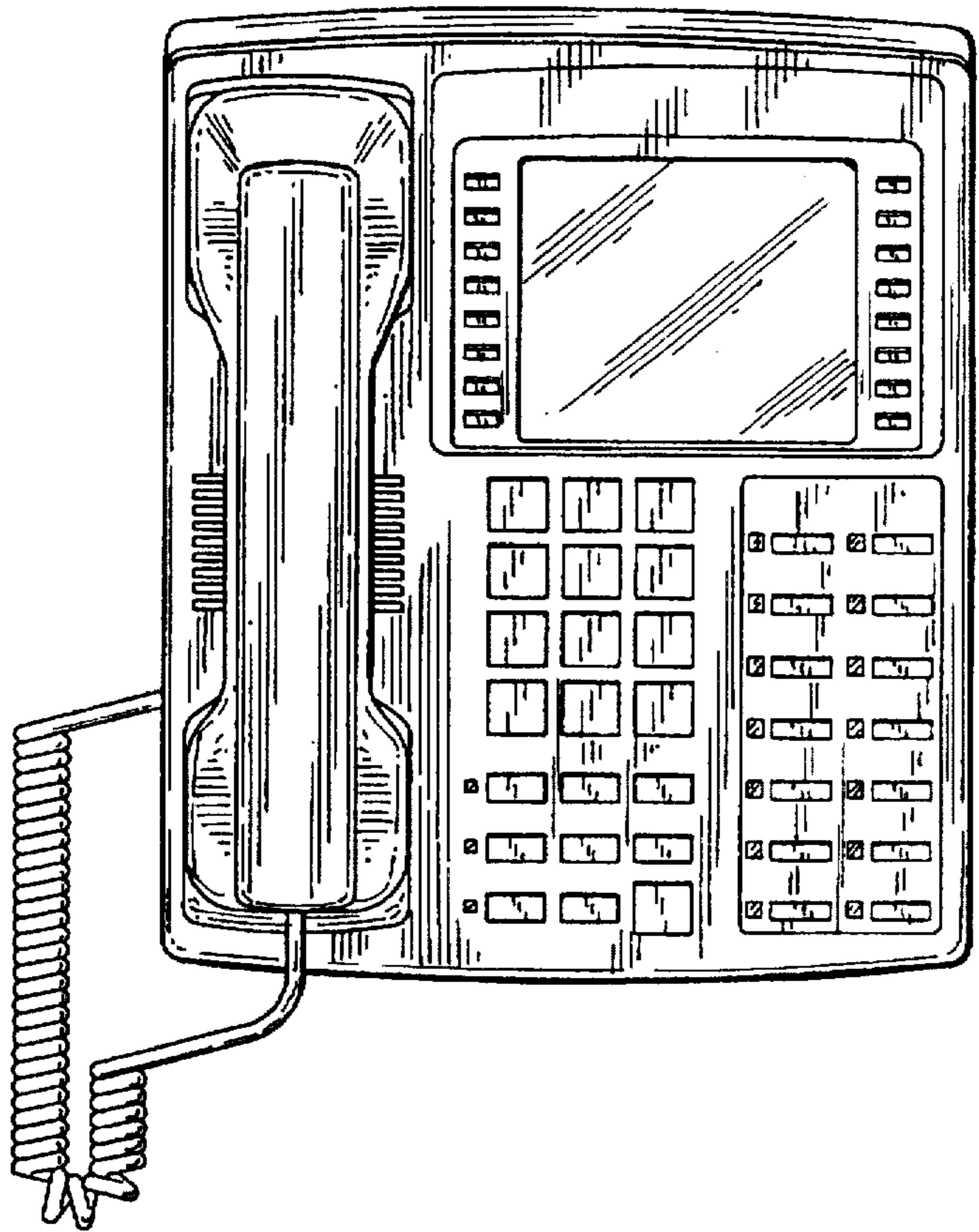


FIG. 6

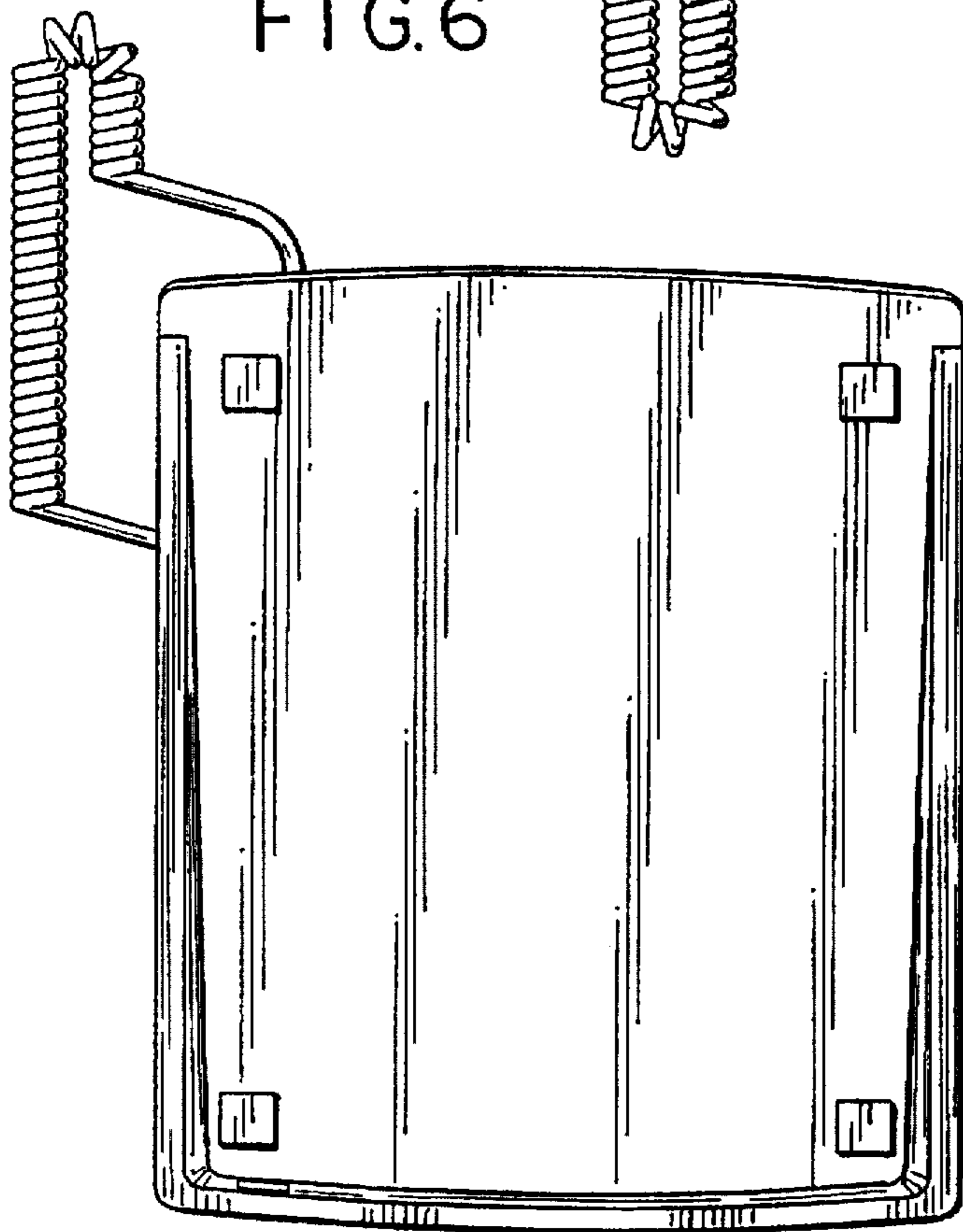


FIG. 7

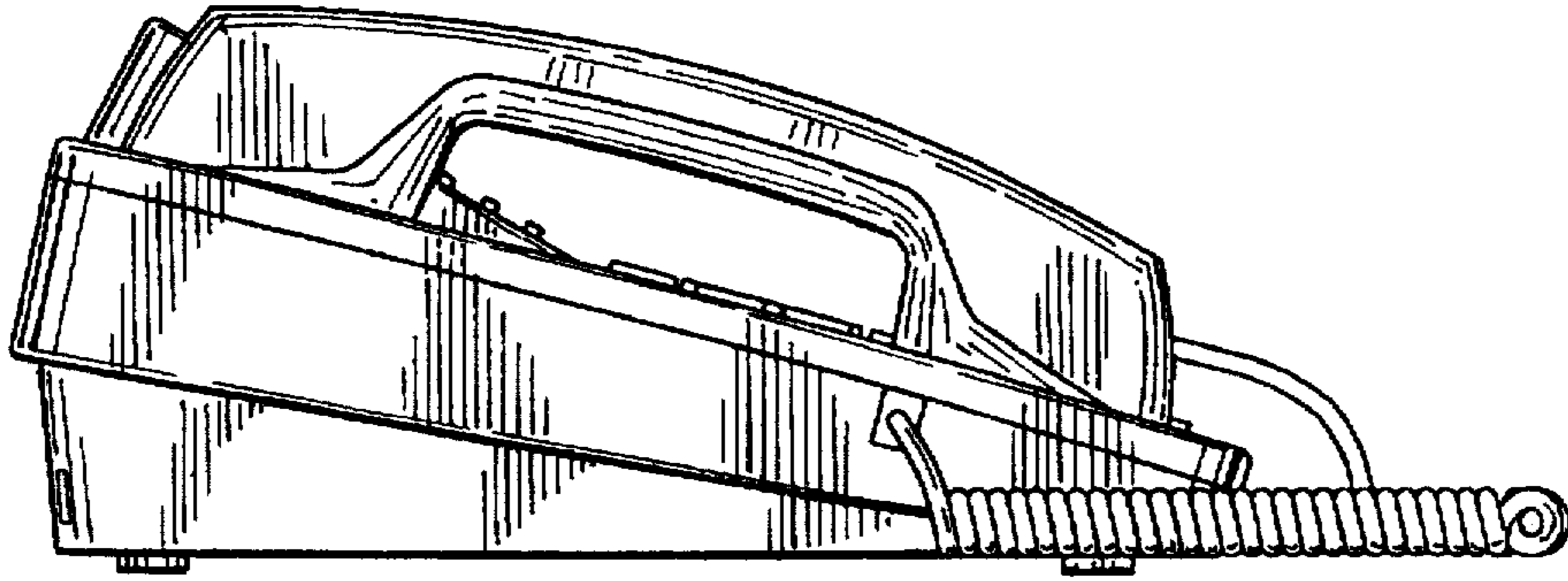


FIG. 8

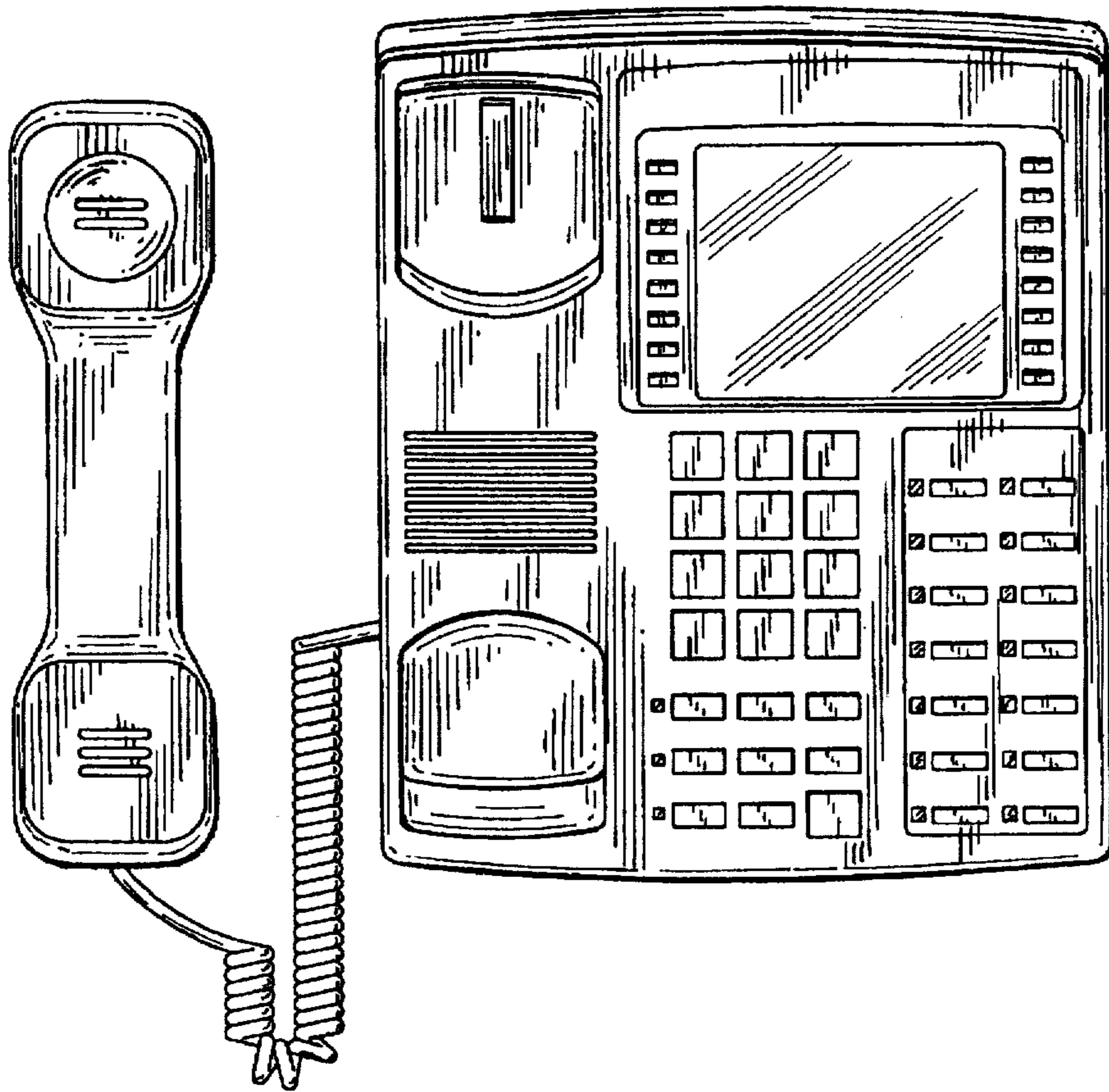


FIG. 9

