



US00D387043S

United States Patent [19]
Cheng

[11] **Patent Number: Des. 387,043**
[45] **Date of Patent: **Dec. 2, 1997**

[54] **TRACK BALL**
[75] **Inventor: Fu Chin Cheng, Hsin Tien, Taiwan**
[73] **Assignee: Sysgration Ltd., Taipei Hsien, Taiwan**
[**] **Term: 14 Years**
[21] **Appl. No.: 57,438**
[22] **Filed: Jul. 25, 1996**
[51] **LOC (6) Cl. 14-02**
[52] **U.S. Cl. D14/114**
[58] **Field of Search D14/100, 114,**
D14/114.1-114.9; 345/163

D. 335,658 5/1993 Barry D14/114

Primary Examiner—Kay H. Chin
Attorney, Agent, or Firm—Bacon & Thomas

[57] **CLAIM**

The ornamental design for a track ball, as shown and described.

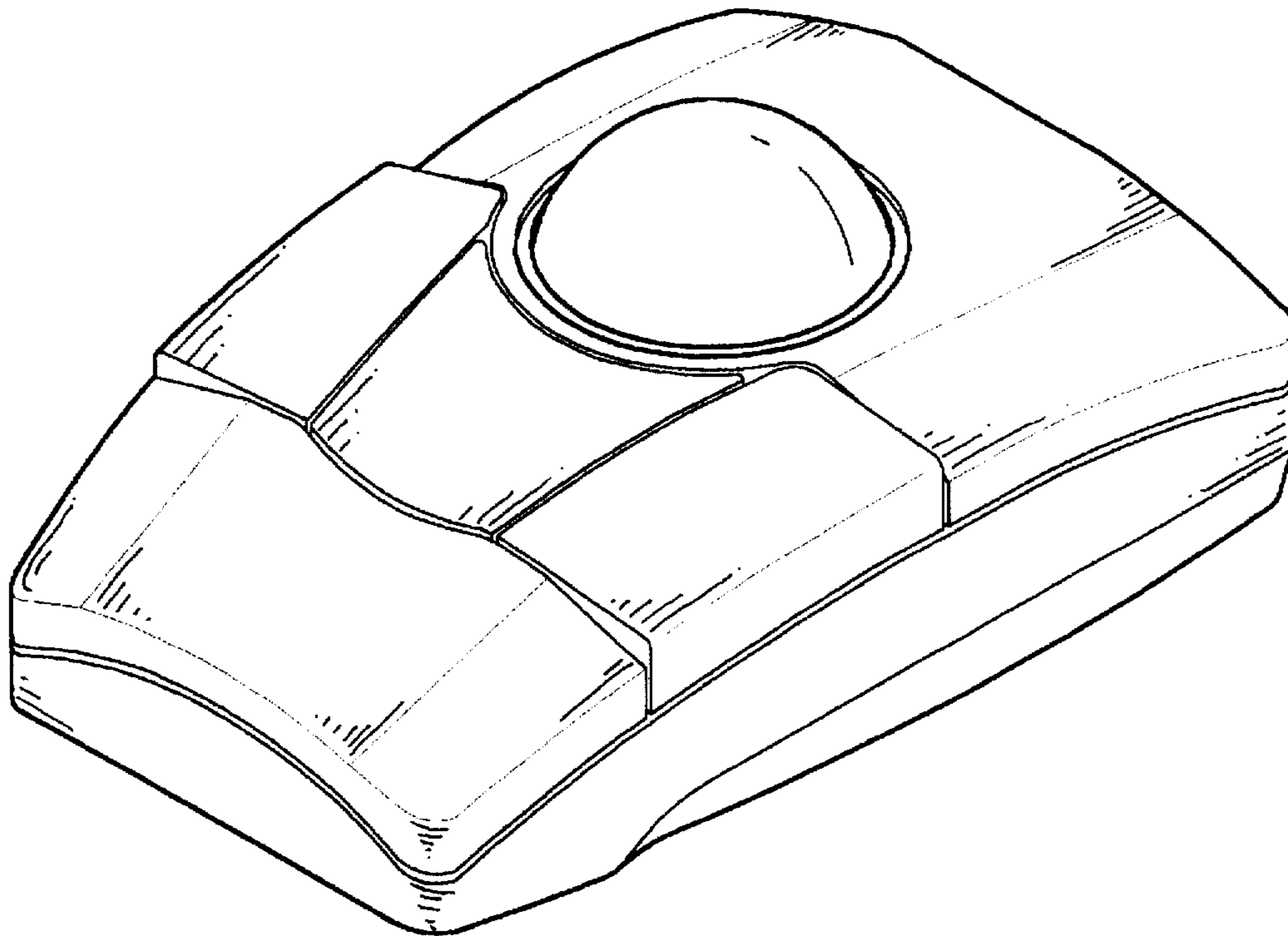
DESCRIPTION

FIG. 1 is a perspective view of a track ball showing my design;
FIG. 2 is a front perspective view thereof;
FIG. 3 is a rear perspective view thereof;
FIG. 4 is a left side elevation view thereof;
FIG. 5 is a right rear perspective view thereof;
FIG. 6 is a top plan view thereof; and,
FIG. 7 is a bottom plan view thereof.

[56] **References Cited**
U.S. PATENT DOCUMENTS

D. 291,318 8/1987 Kim D14/114
D. 315,552 3/1991 Sacherman D14/114

1 Claim, 4 Drawing Sheets



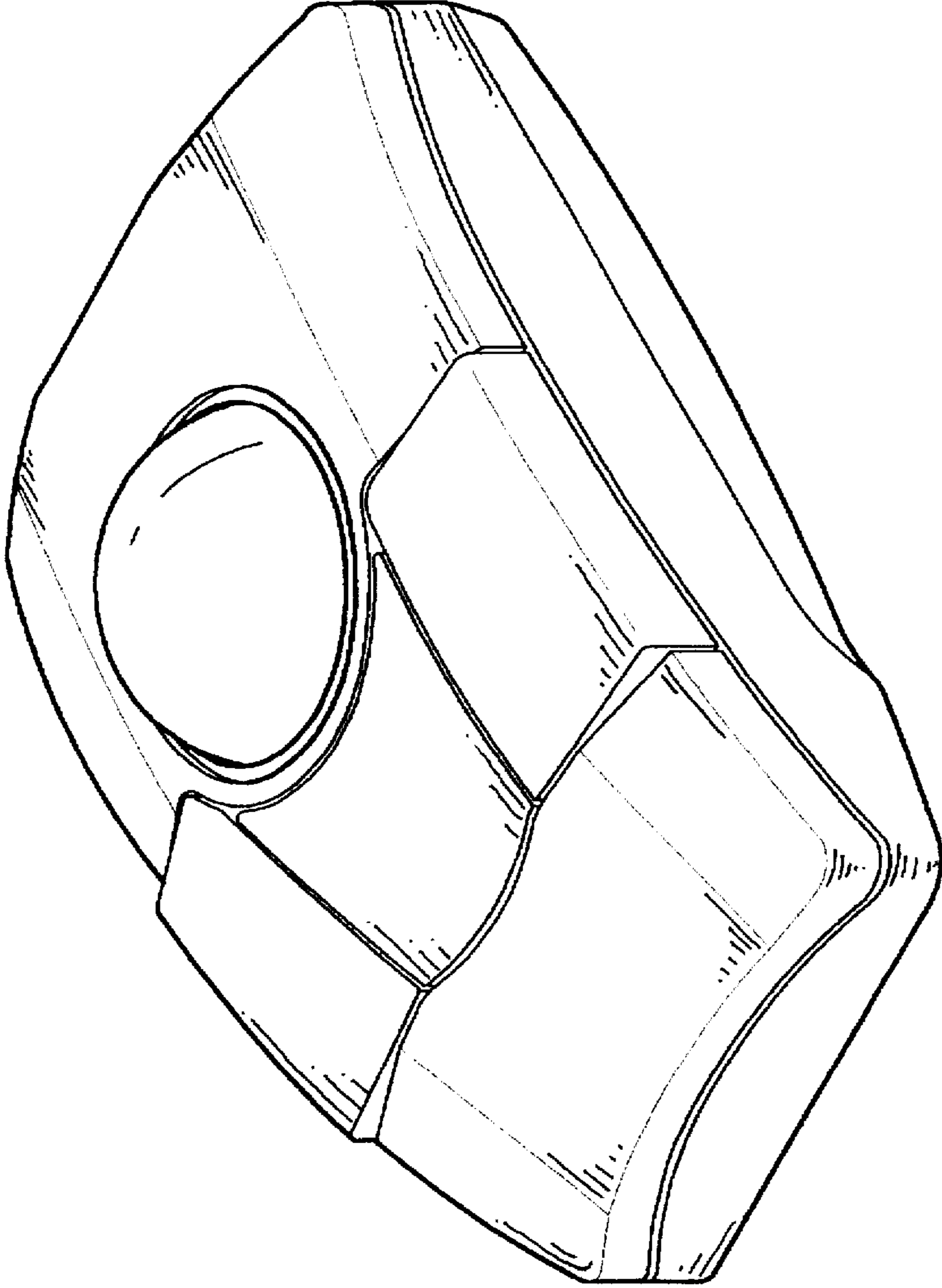


FIG. 1

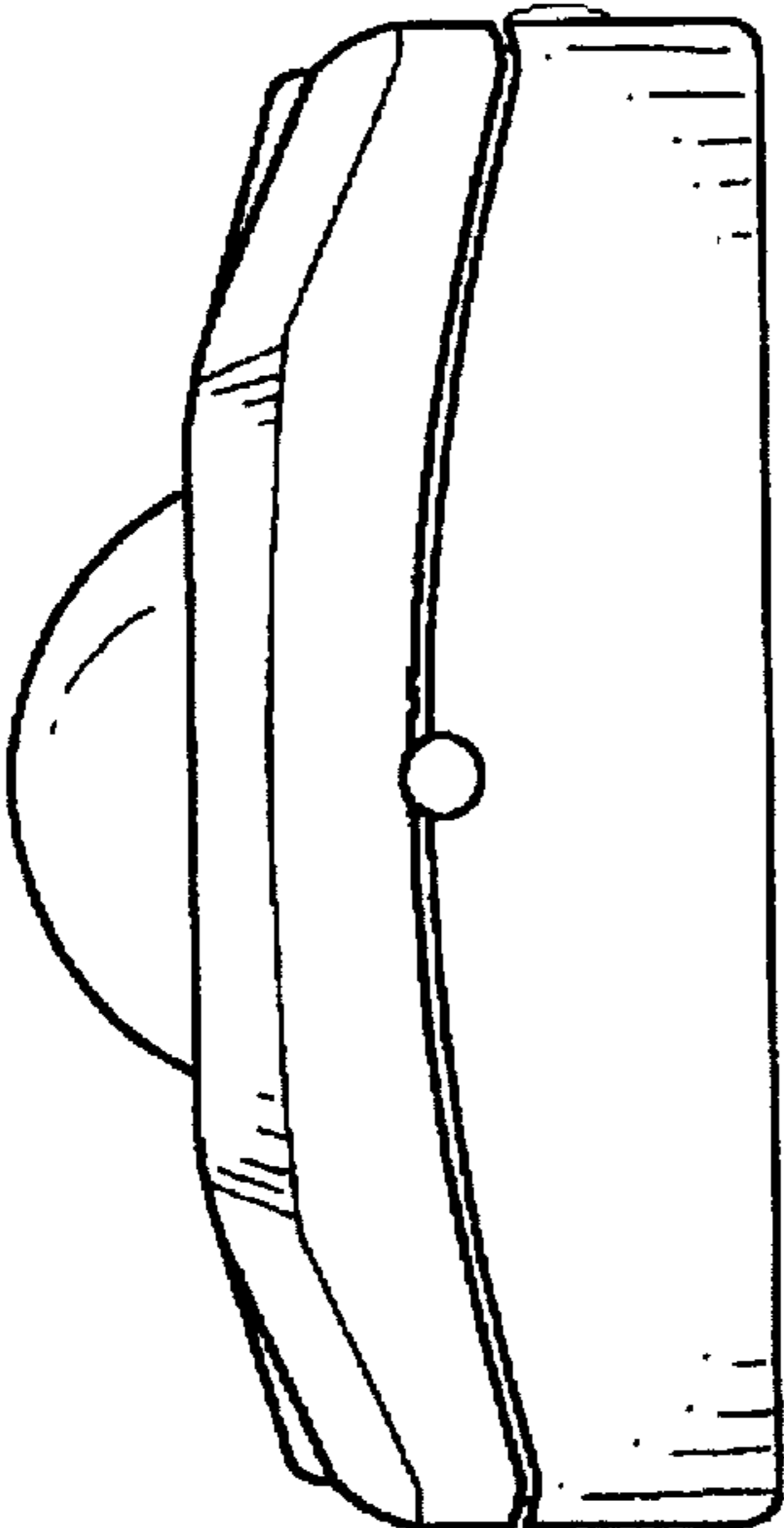


FIG. 2

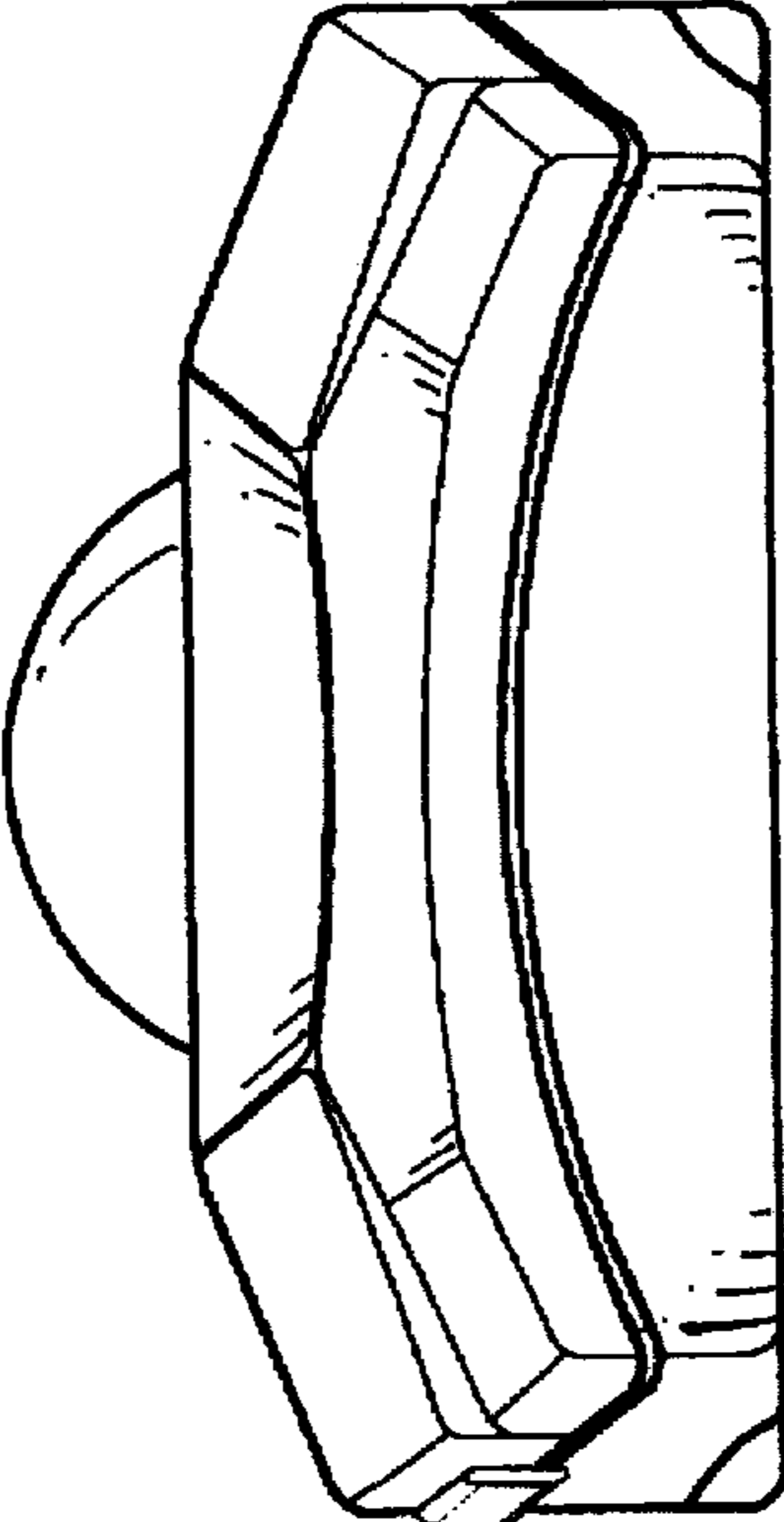


FIG. 3

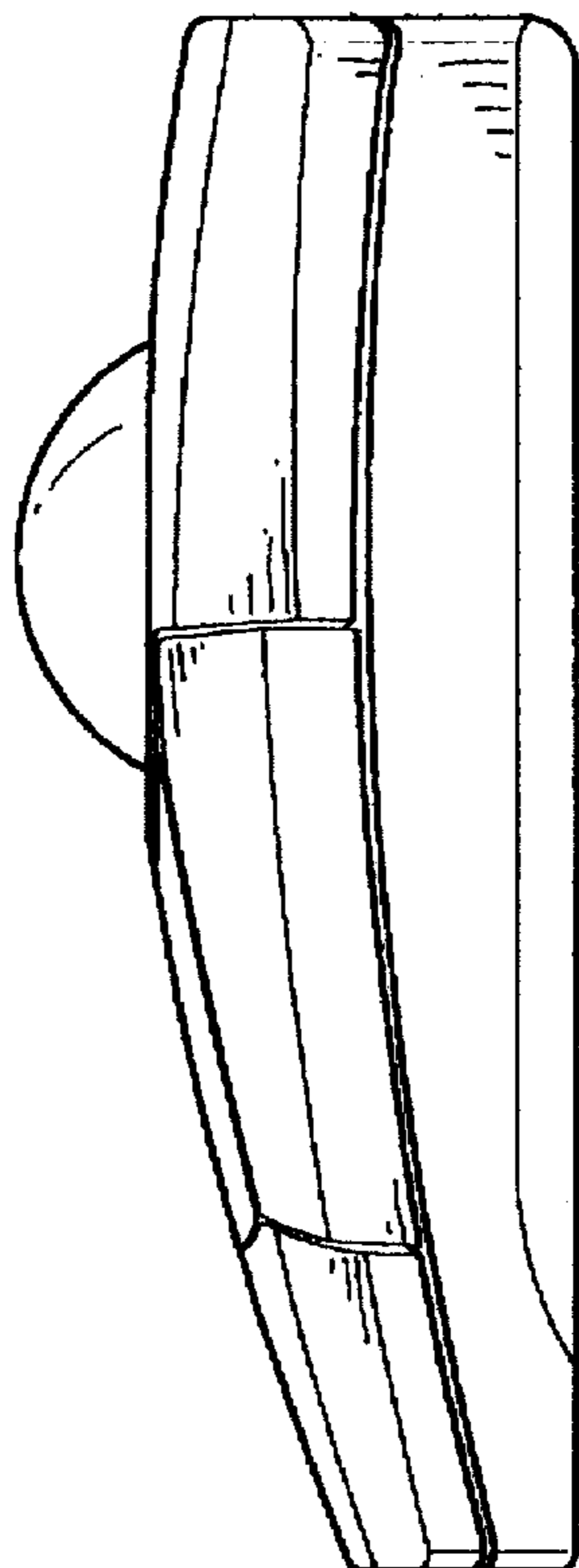


FIG. 5

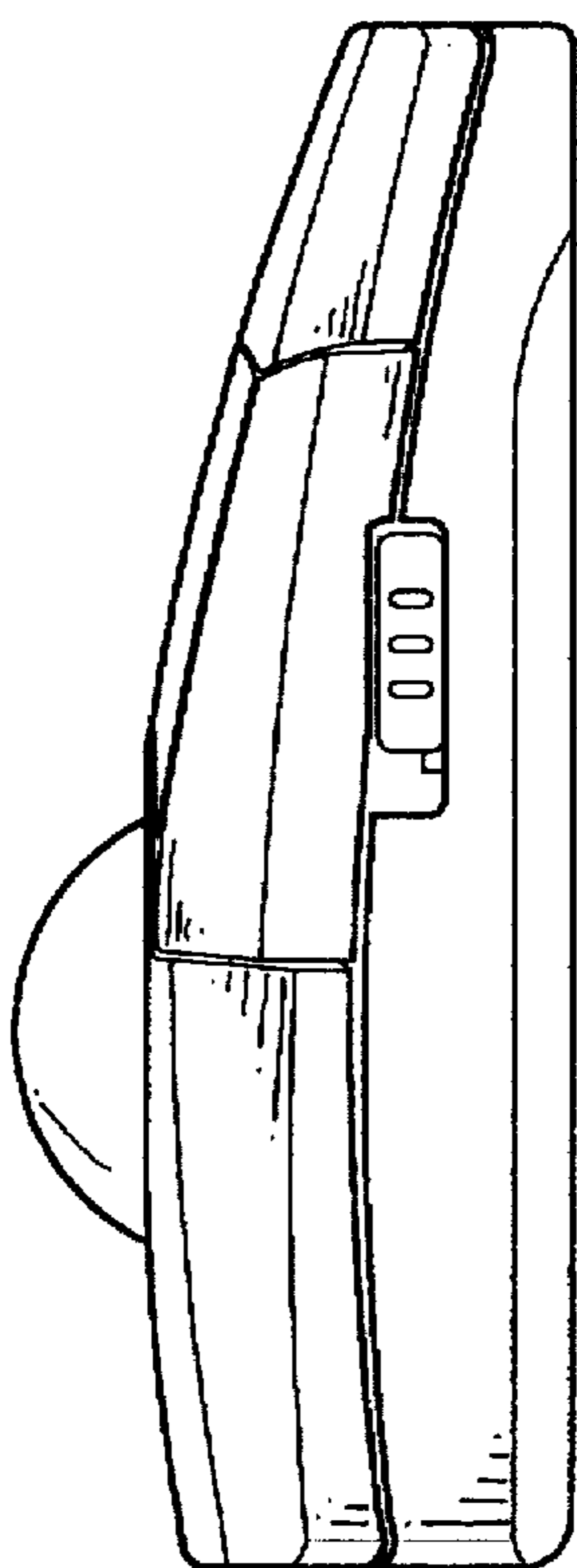


FIG. 4

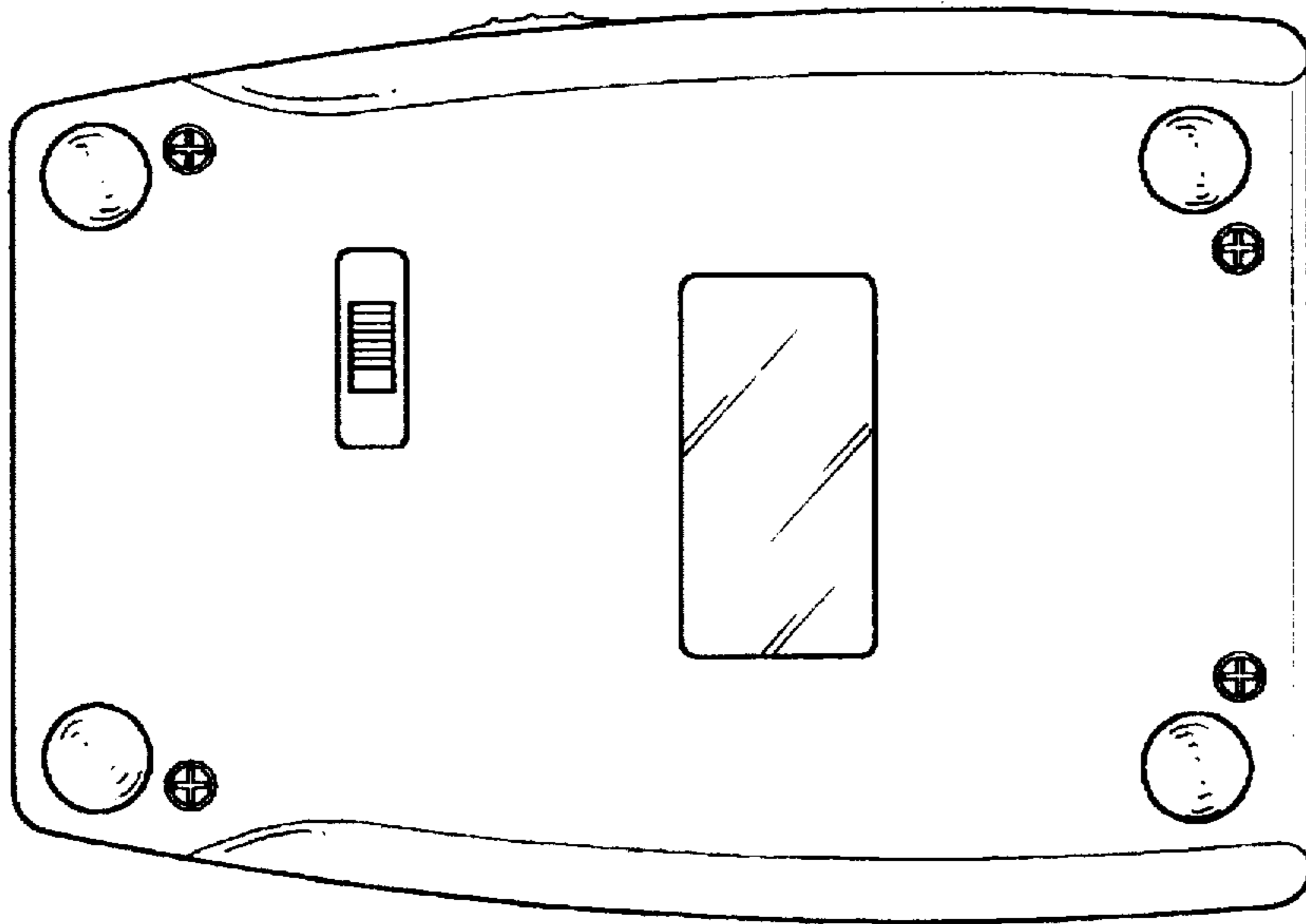


FIG. 7

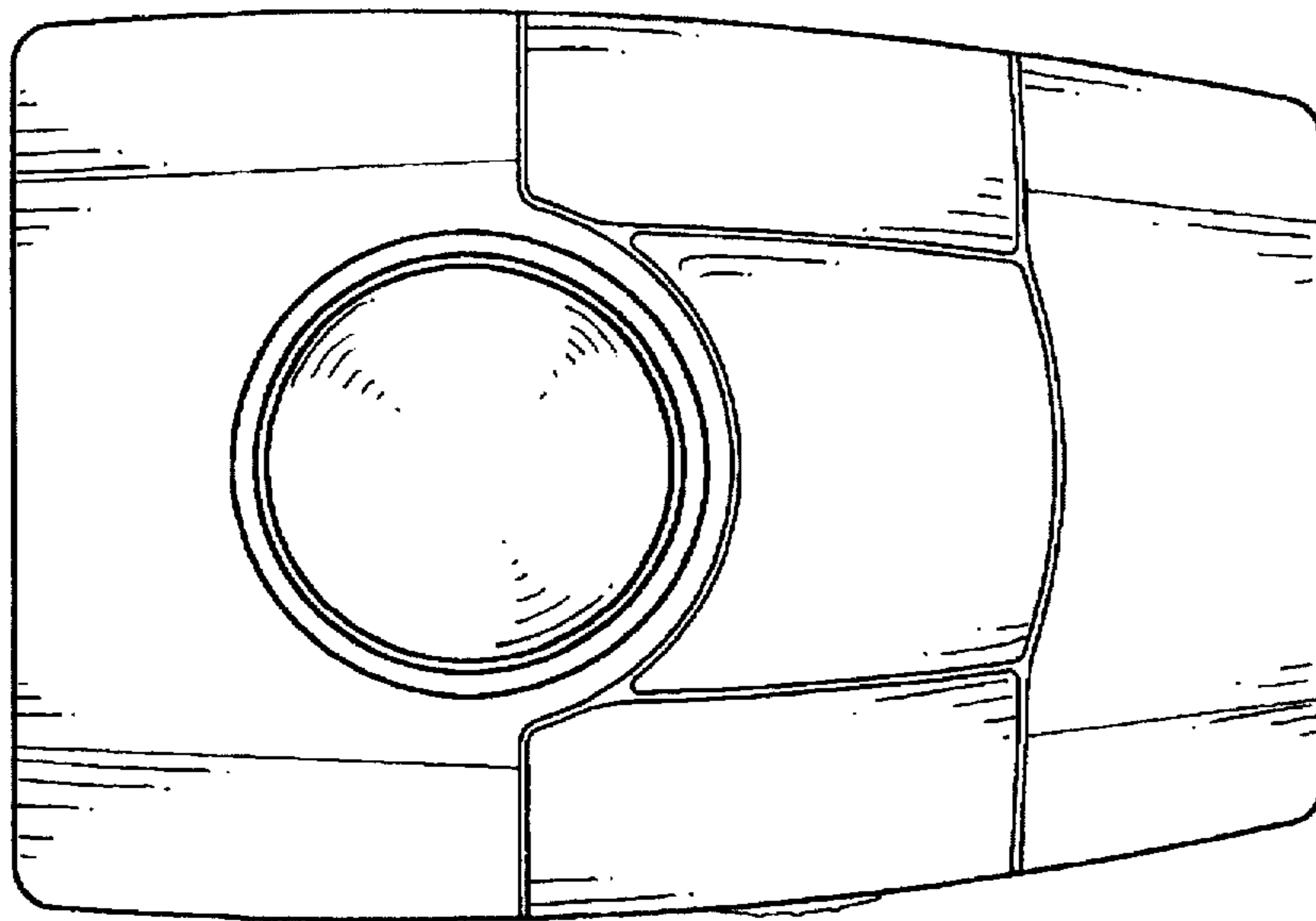


FIG. 6