



US00D387041S

# United States Patent [19]

[11] Patent Number: **Des. 387,041**

Horiki et al.

[45] Date of Patent: **\*\*Dec. 2, 1997**

[54] **LIQUID CRYSTAL DISPLAY**

D. 326,847 6/1992 Savio ..... D14/113

[75] Inventors: **Toshio Horiki; Yutaka Kohno**, both of  
Osaka, Japan

D. 337,104 7/1993 Orchard ..... D14/113

D. 344,933 3/1994 Wiseman et al. .... D14/113

D. 356,552 3/1995 Maeno et al. .... D14/113

[73] Assignee: **Matsushita Electric Industrial Co., Ltd.**, Osaka, Japan

*Primary Examiner*—Freda Nunn

*Attorney, Agent, or Firm*—Sughrue, Mion, Zinn, Macpeak & Seas, PLLC

[\*\*] Term: **14 Years**

## [57] CLAIM

[21] Appl. No.: **59,289**

The ornamental design for a liquid crystal display, as shown.

[22] Filed: **Sep. 6, 1996**

## DESCRIPTION

### [30] Foreign Application Priority Data

Mar. 11, 1996 [JP] Japan ..... 8-6737

FIG. 1 is a perspective view of the front and right side of a liquid crystal display showing our new design;

[51] LOC (6) Cl. .... **14-02**

FIG. 2 is a front elevational view thereof;

[52] U.S. Cl. .... **D14/113; D14/126**

FIG. 3 is a rear elevational view thereof;

[58] Field of Search ..... D14/100, 106,  
D14/101, 113, 124-129; 345/104, 133,  
156, 168, 173; 248/917-924

FIG. 4 is a left side elevational view thereof;

FIG. 5 is a right side elevational view thereof;

FIG. 6 is a top plan view thereof; and,

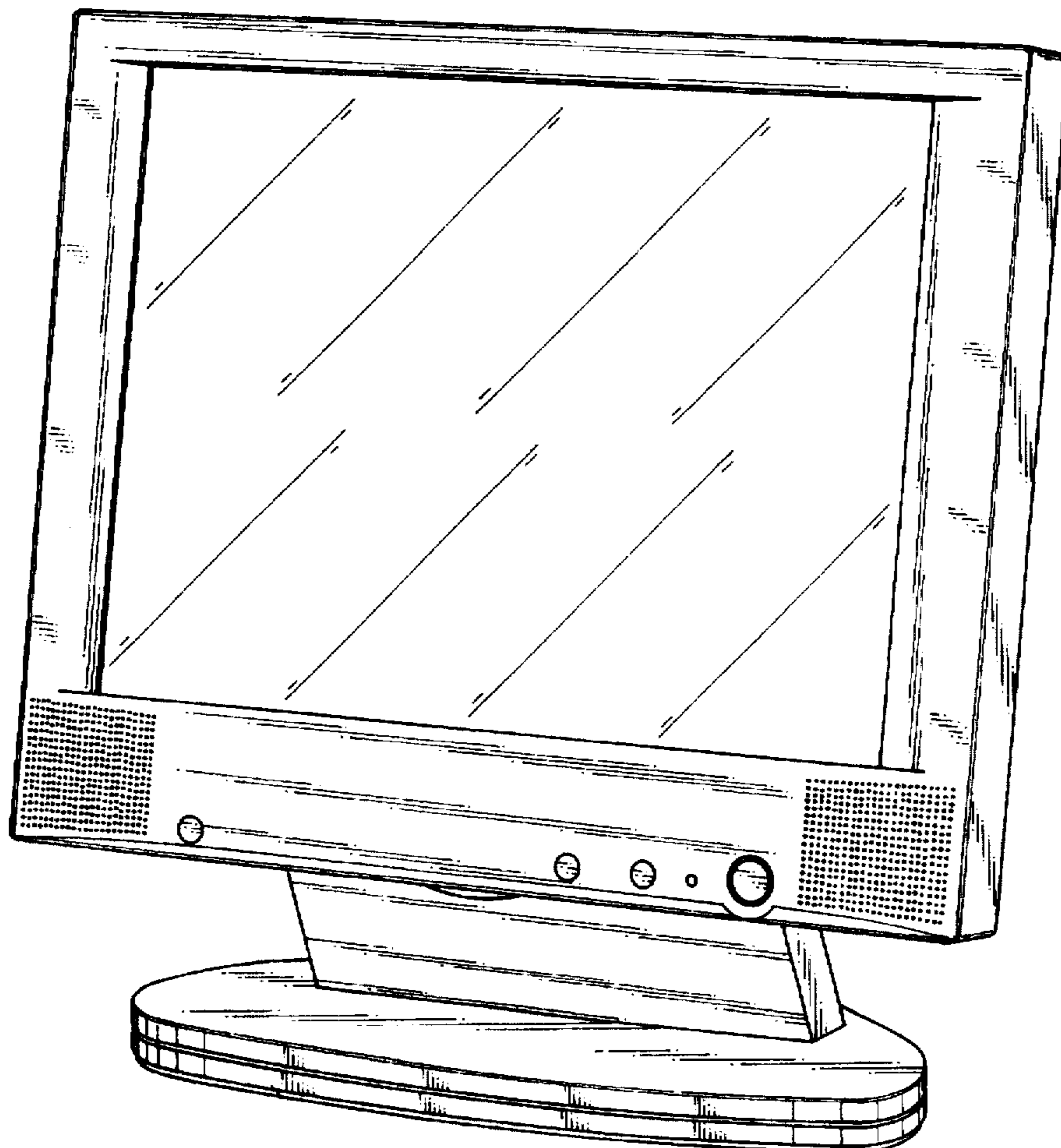
FIG. 7 is a bottom plan view thereof.

### [56] References Cited

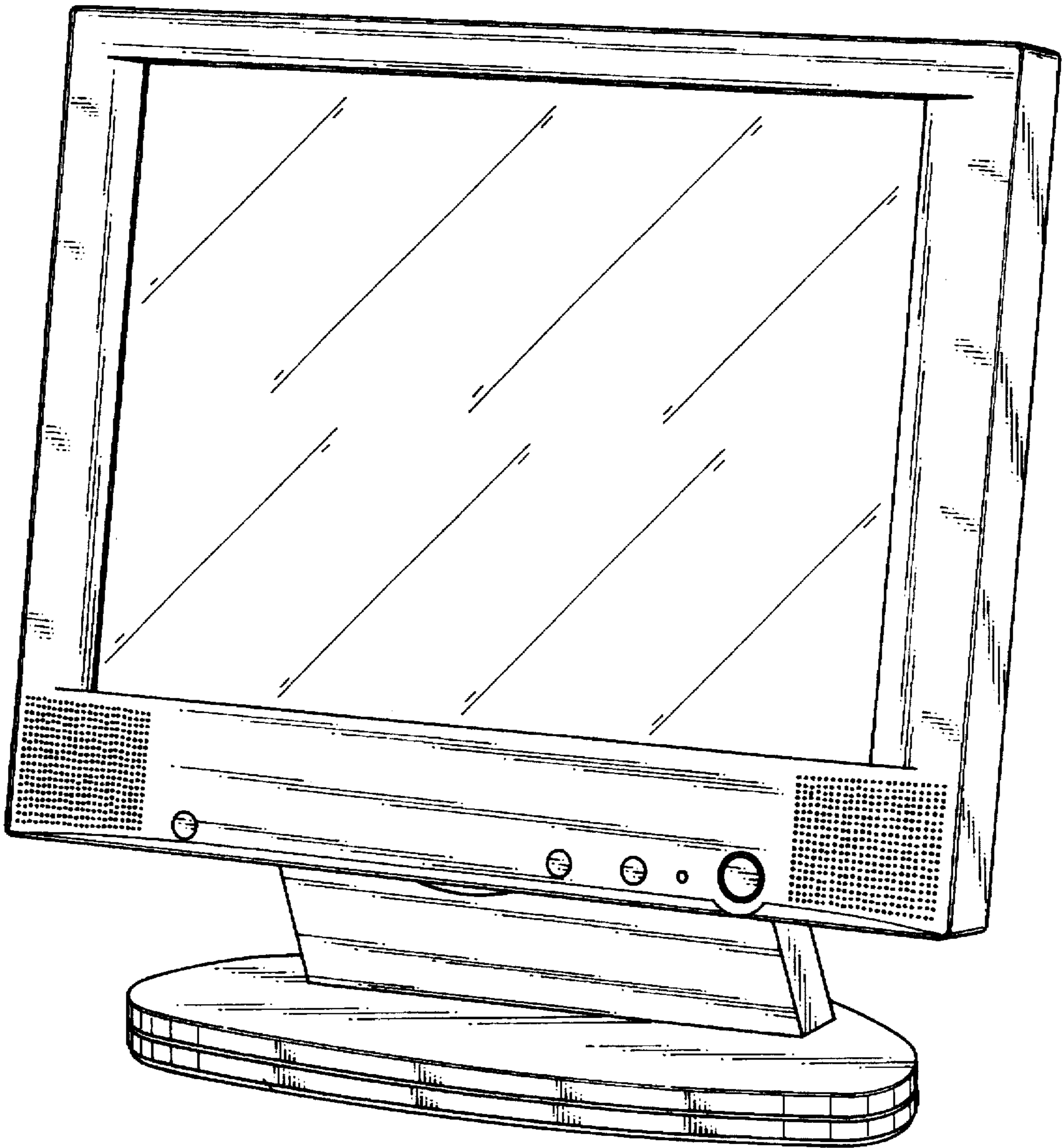
#### U.S. PATENT DOCUMENTS

D. 303,661 9/1989 Manabe et al. .... D14/113

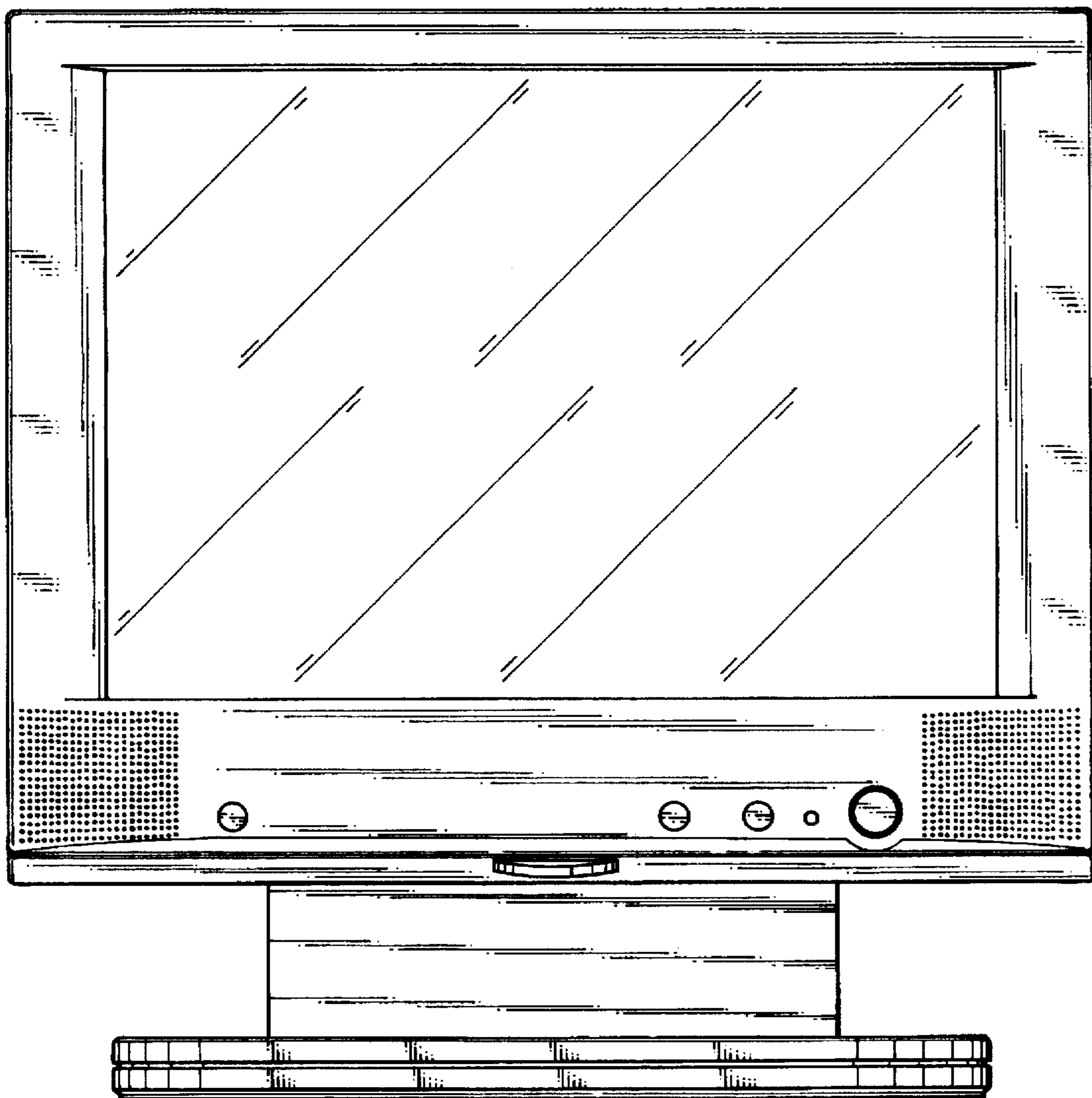
**1 Claim, 5 Drawing Sheets**



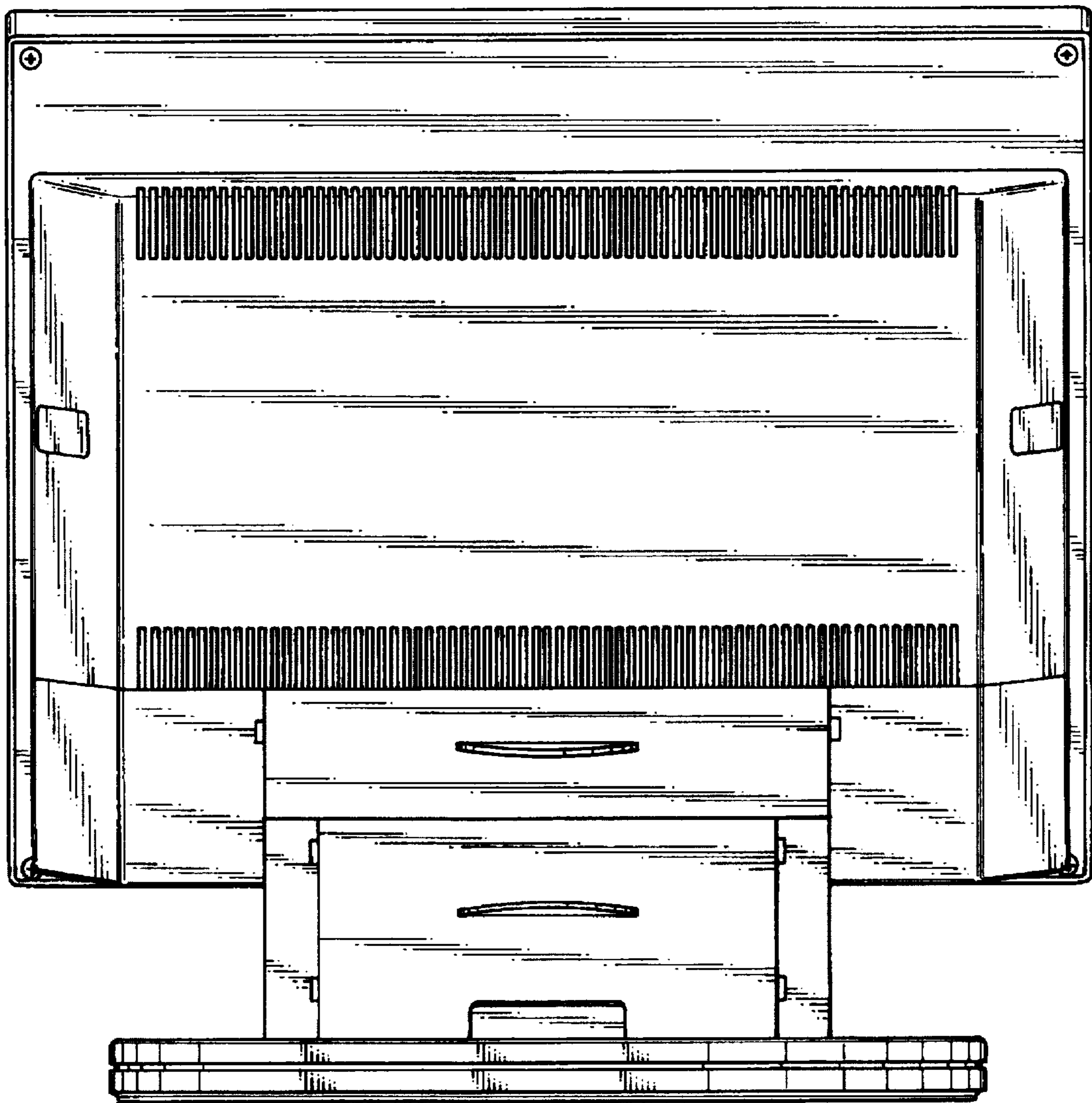
*Fig. 1*



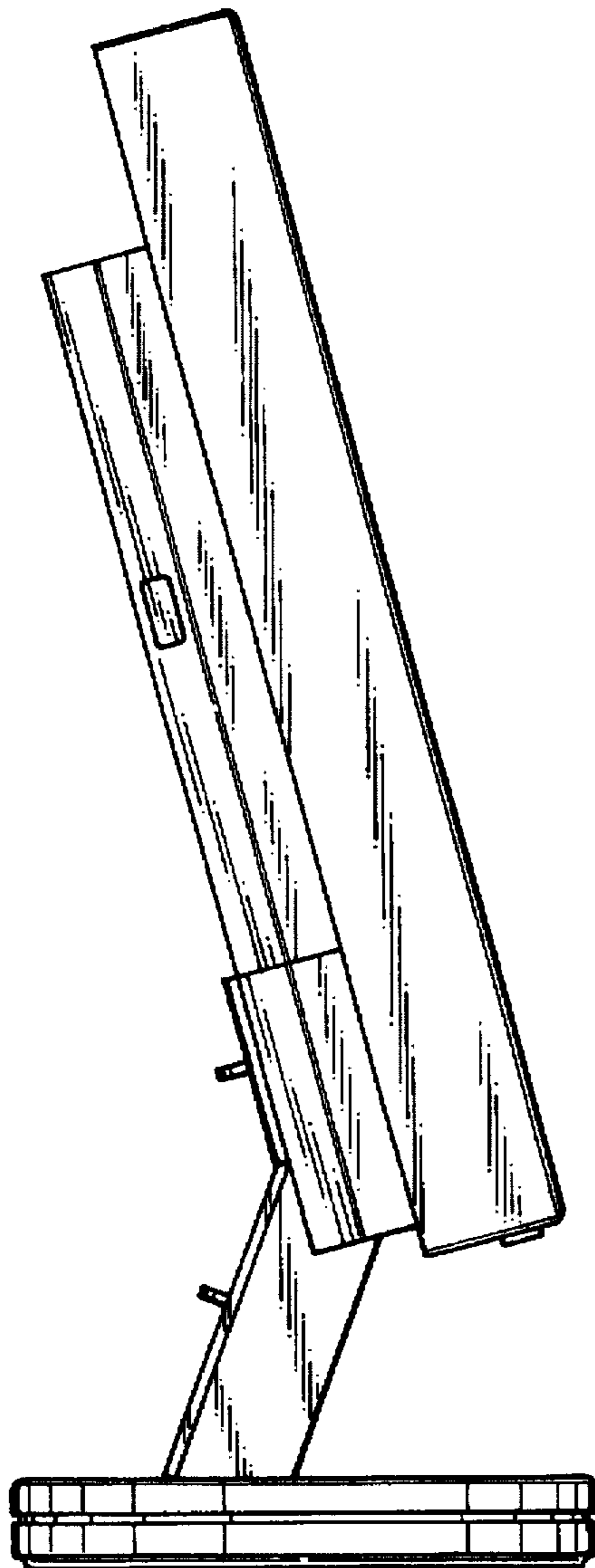
*Fig. 2*



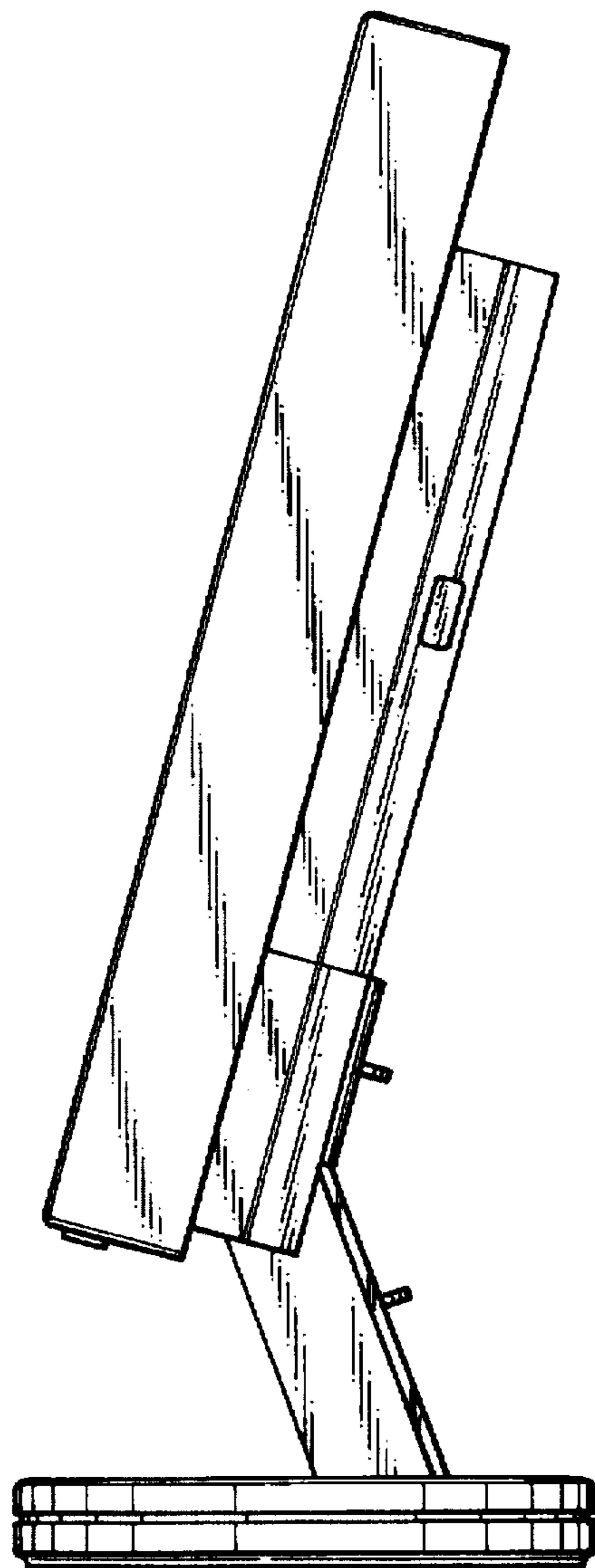
*Fig. 3*



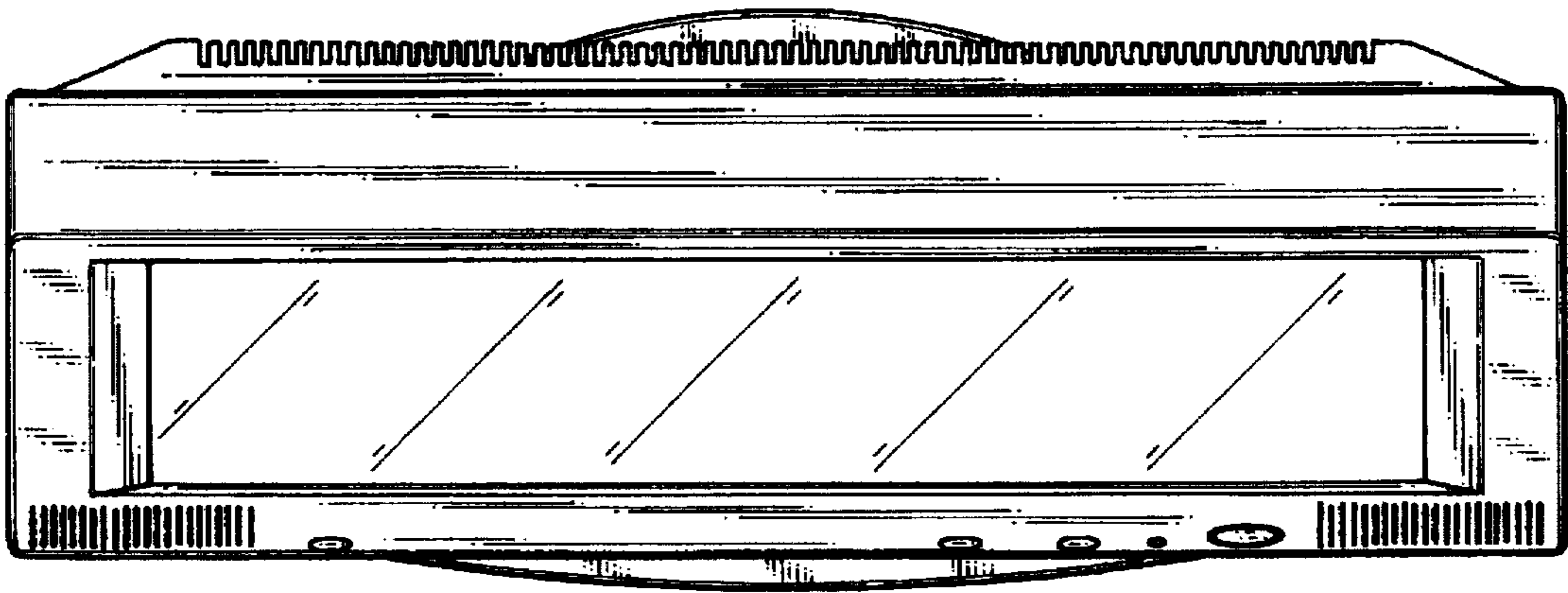
*Fig. 4*



*Fig. 5*



*Fig. 6*



*Fig. 7*

