



US00D387040S

United States Patent [19]

[11] Patent Number: **Des. 387,040**

Iino

[45] Date of Patent: ****Dec. 2, 1997**

[54] **DISPLAY WITH A TELEVISION CAMERA FOR ELECTRONIC COMPUTERS**

D. 354,949 1/1995 Yao D14/100
D. 363,730 10/1995 Flohr et al. D14/107 X
D. 364,857 12/1995 Chou D14/113

[75] Inventor: **Masaaki Iino**, Saitama-ken, Japan

FOREIGN PATENT DOCUMENTS

[73] Assignee: **Kabushiki Kaisha Toshiba**, Kanagawa-ken, Japan

883652 11/1993 Japan .

[**] Term: **14 Years**

Primary Examiner—Freda Nunn

[21] Appl. No.: **59,219**

[57] CLAIM

[22] Filed: **Sep. 5, 1996**

The ornamental design for a display with a television camera for electronic computers, as shown and described.

[30] Foreign Application Priority Data

DESCRIPTION

Mar. 8, 1996 [JP] Japan 8-6145

FIG. 1 is a top, front and right side perspective view of a display with a television camera for electronic computers showing my new design;

[51] LOC (6) Cl. **14-02**

[52] U.S. Cl. **D14/113; D14/126**

FIG. 2 is a front elevational view thereof;

[58] Field of Search D14/100, 106, D14/113, 101, 124-129; 345/104, 133, 156, 168, 173; 248/917-924; D16/202, 200, 201, 203, 204, 205, 230; 348/12, 15; 379/53

FIG. 3 is a rear elevational view thereof;

FIG. 4 is a right side elevational view thereof, the left side elevational view being a mirror image;

FIG. 5 is a top plan view thereof;

FIG. 6 is a bottom plan view thereof; and,

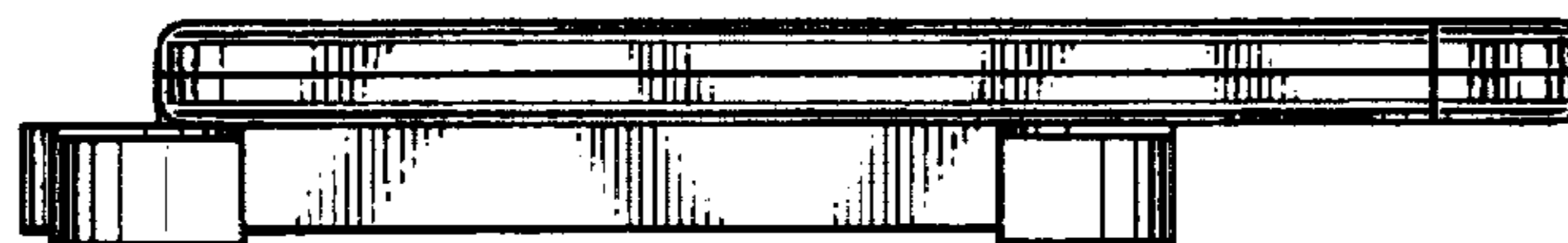
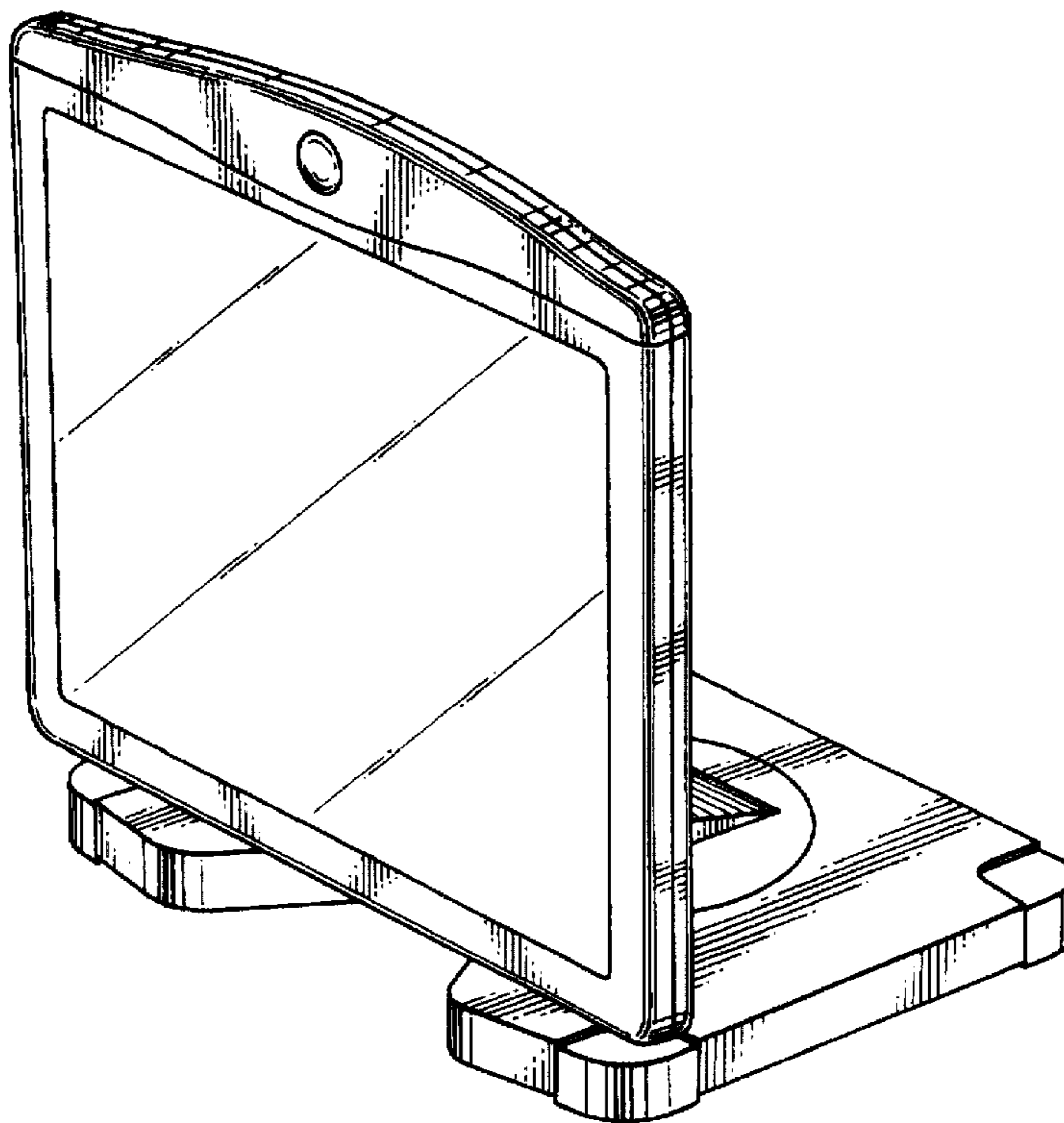
FIG. 7 is a right side elevational view thereof in a closed position.

[56] References Cited

U.S. PATENT DOCUMENTS

D. 290,702 7/1987 Stern et al. D14/113

1 Claim, 3 Drawing Sheets



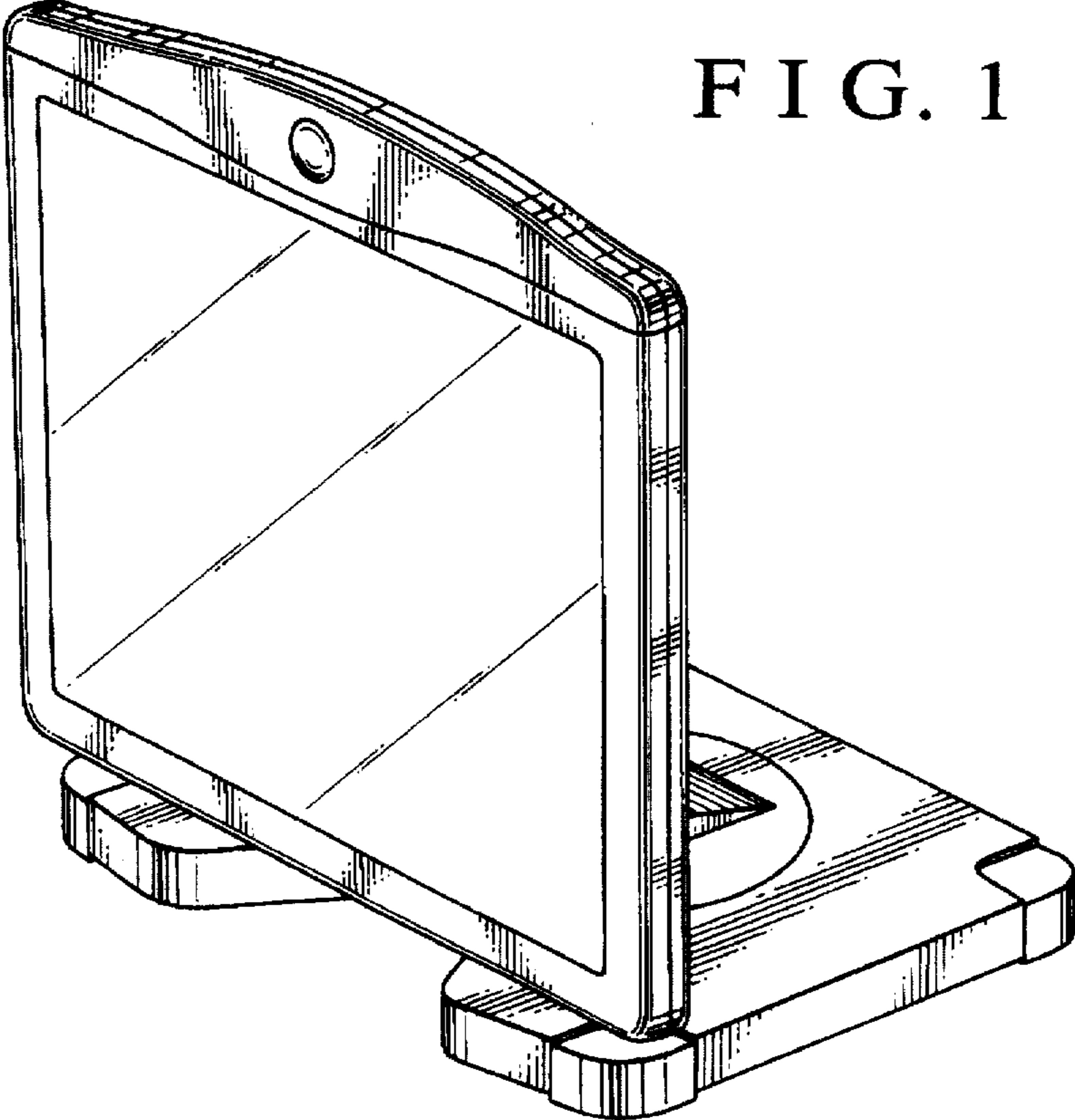


FIG. 1

FIG. 2

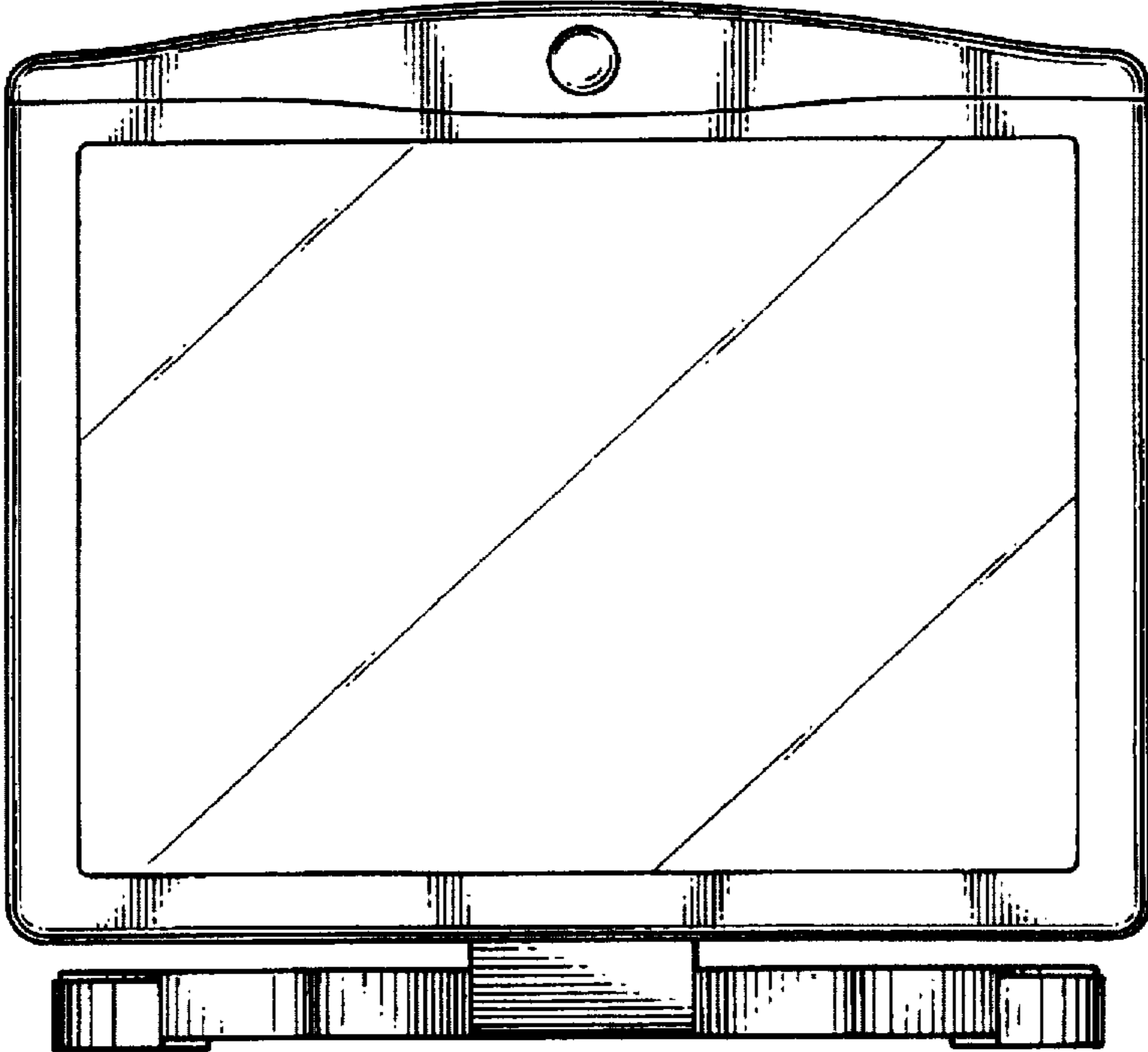


FIG. 3

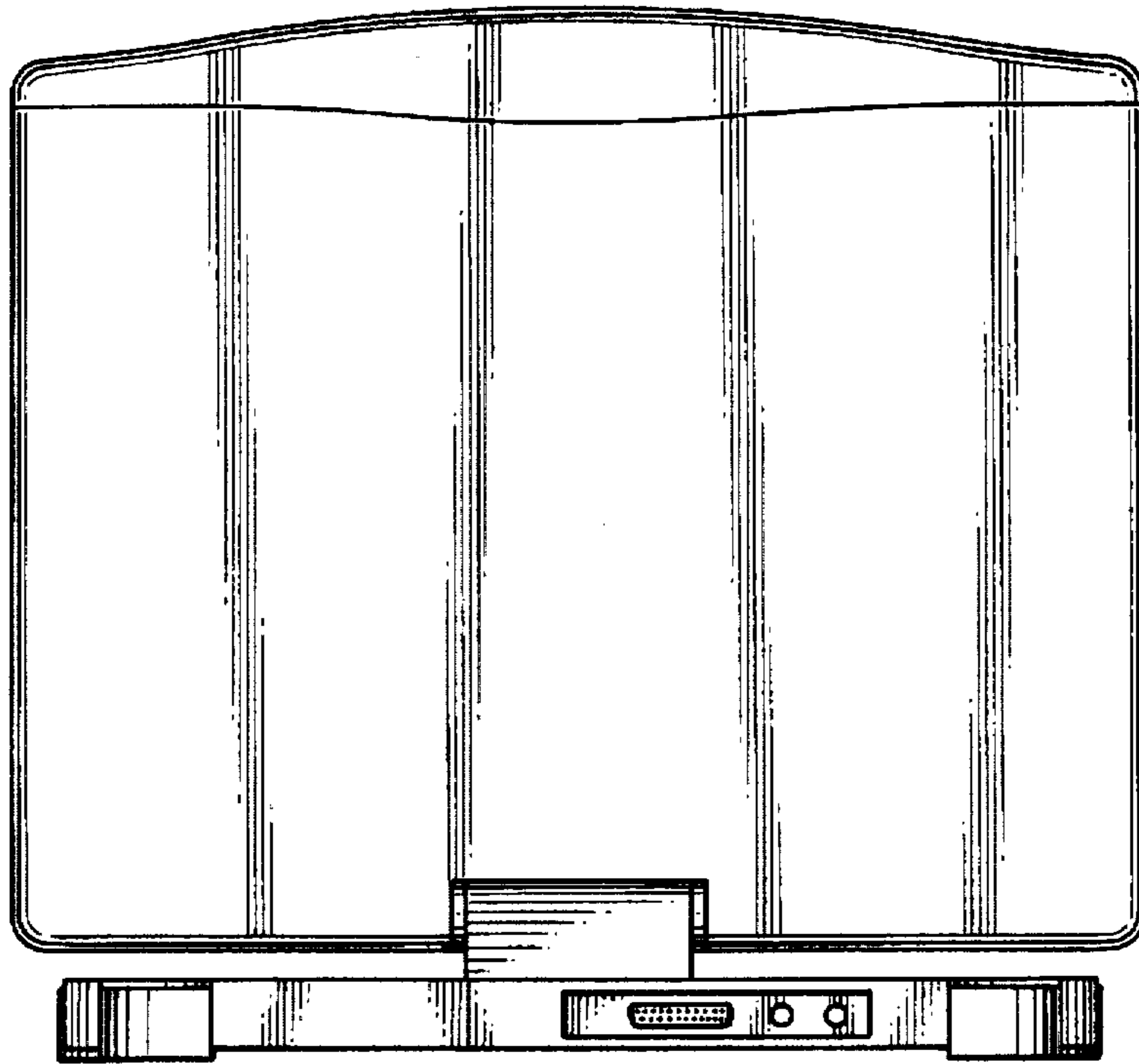


FIG. 4

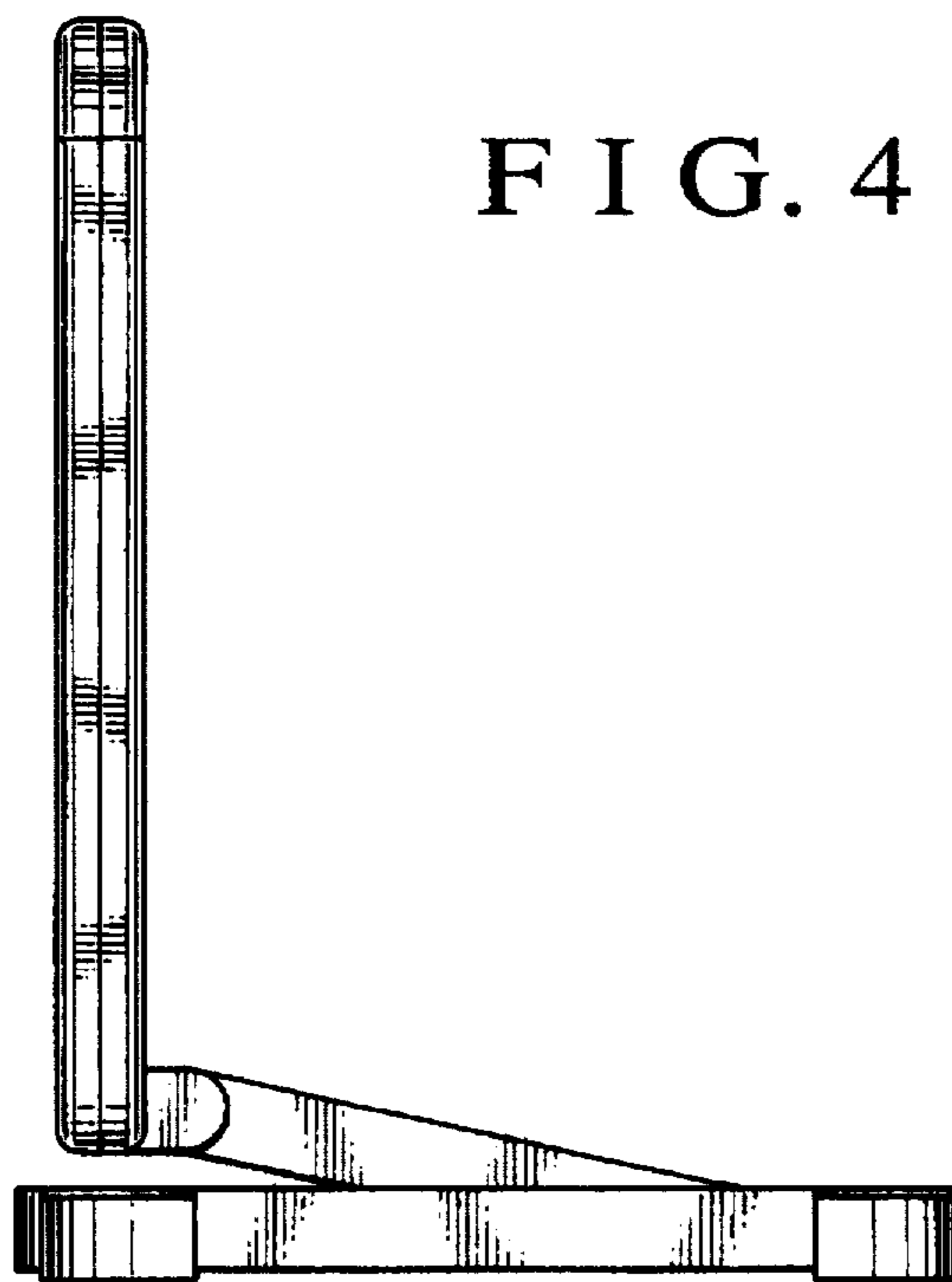


FIG. 5

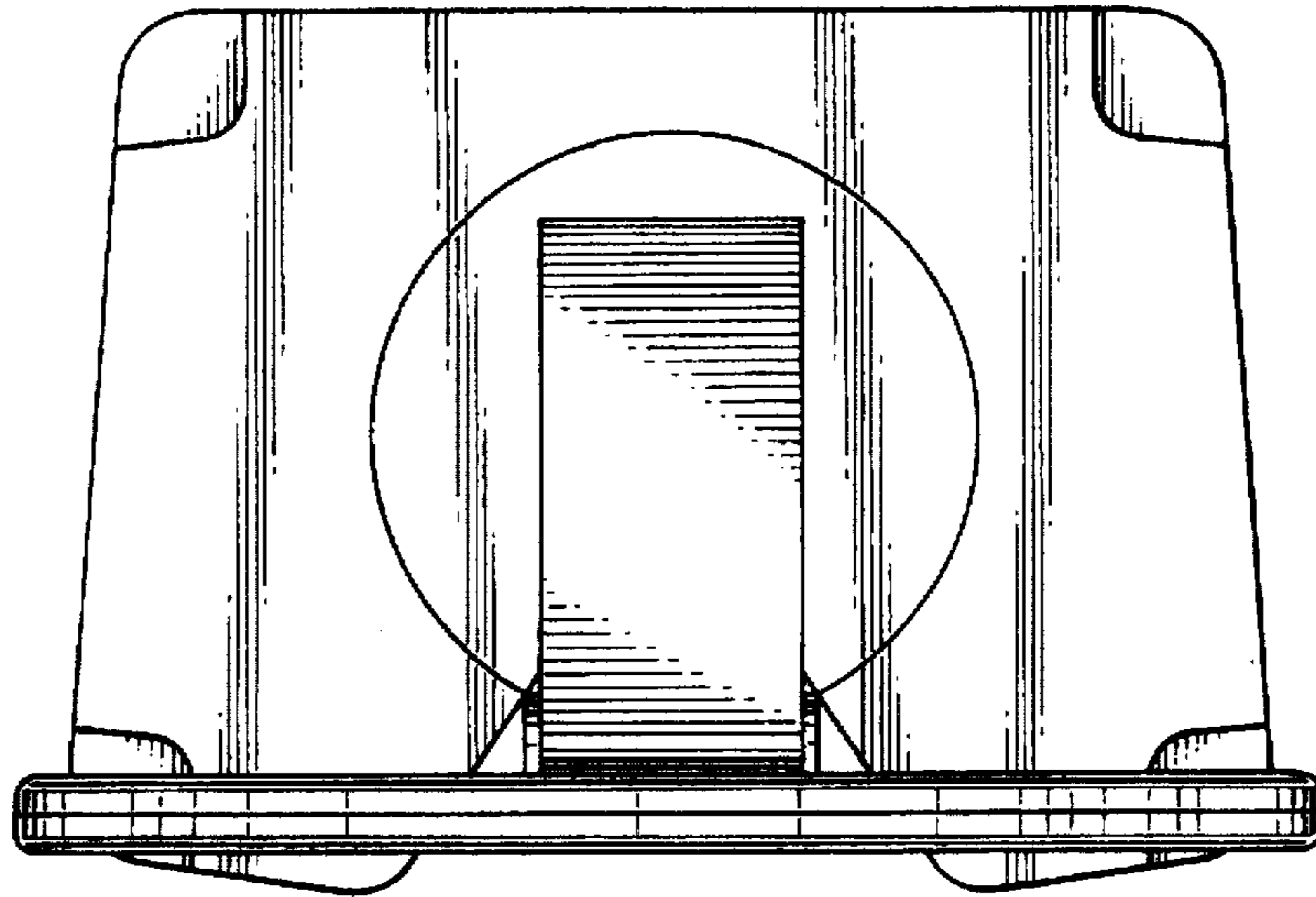


FIG. 6

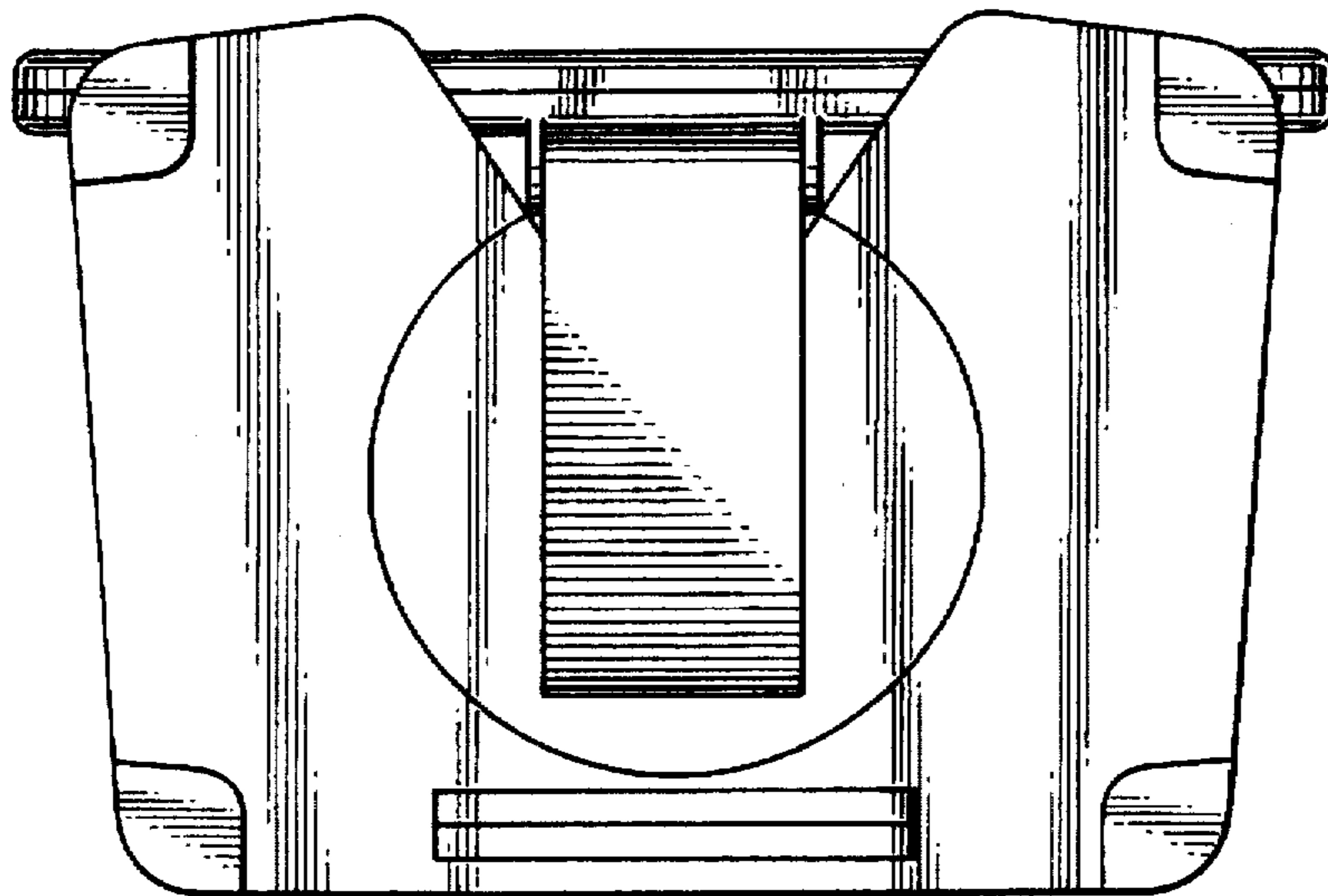


FIG. 7

