



US00D387039S

United States Patent [19]

[11] Patent Number: **Des. 387,039**

Perona et al.

[45] Date of Patent: ****Dec. 2, 1997**

[54] **TAPE DRIVE**

D. 361,756 8/1995 Seid et al. D14/109 X
5,210,664 5/1993 Perona 360/93

[75] Inventors: **Mark W. Perona**, San Diego, Calif.;
Nicholas Brawne, Columbus, Ohio

Primary Examiner—Freda Nunn
Attorney, Agent, or Firm—Woodcock Washburn Kurtz
Mackiewicz & Norris LLP

[73] Assignee: **Iomega Corporation**, Roy, Utah

[**] Term: **14 Years**

[57] **CLAIM**

[21] Appl. No.: **49,705**

The ornamental design for a tape drive, as shown and described.

[22] Filed: **Jan. 29, 1996**

DESCRIPTION

[51] LOC (6) Cl. **14-02**

FIG. 1 is a perspective view of a tape drive incorporating our new design;

[52] U.S. Cl. **D14/108; D14/109**

FIG. 2 is a front elevational view;

[58] Field of Search D14/100, 102,
D14/107-109; D13/162, 184, 199; D6/432,

FIG. 3 is a rear elevational view;

436, 445, 448; 312/208.1, 254, 292; 360/97.01,
97.04, 99.01, 99.12, 93; 361/694, 696,
683

FIG. 4 is a first side elevational view;

FIG. 5 is a second side elevational view;

FIG. 6 is a top plan view; and,

FIG. 7 is a bottom plan view.

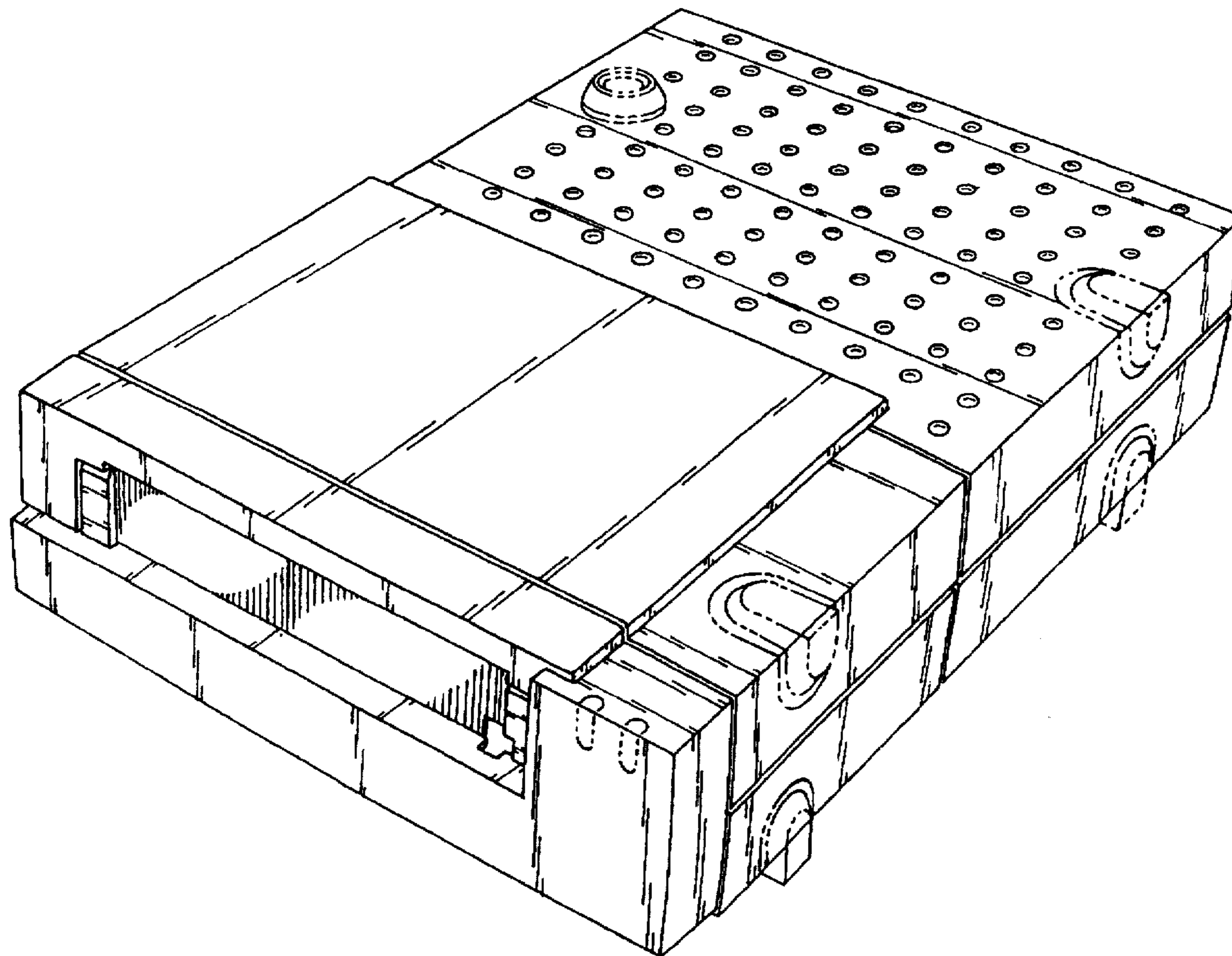
[56] **References Cited**

All broken lines in the drawings depict probable environment only and form no part of the claimed design.

U.S. PATENT DOCUMENTS

D. 338,661 8/1993 Miyamoto D14/109 X
D. 360,197 7/1995 Ikenaga D14/109 X

1 Claim, 5 Drawing Sheets



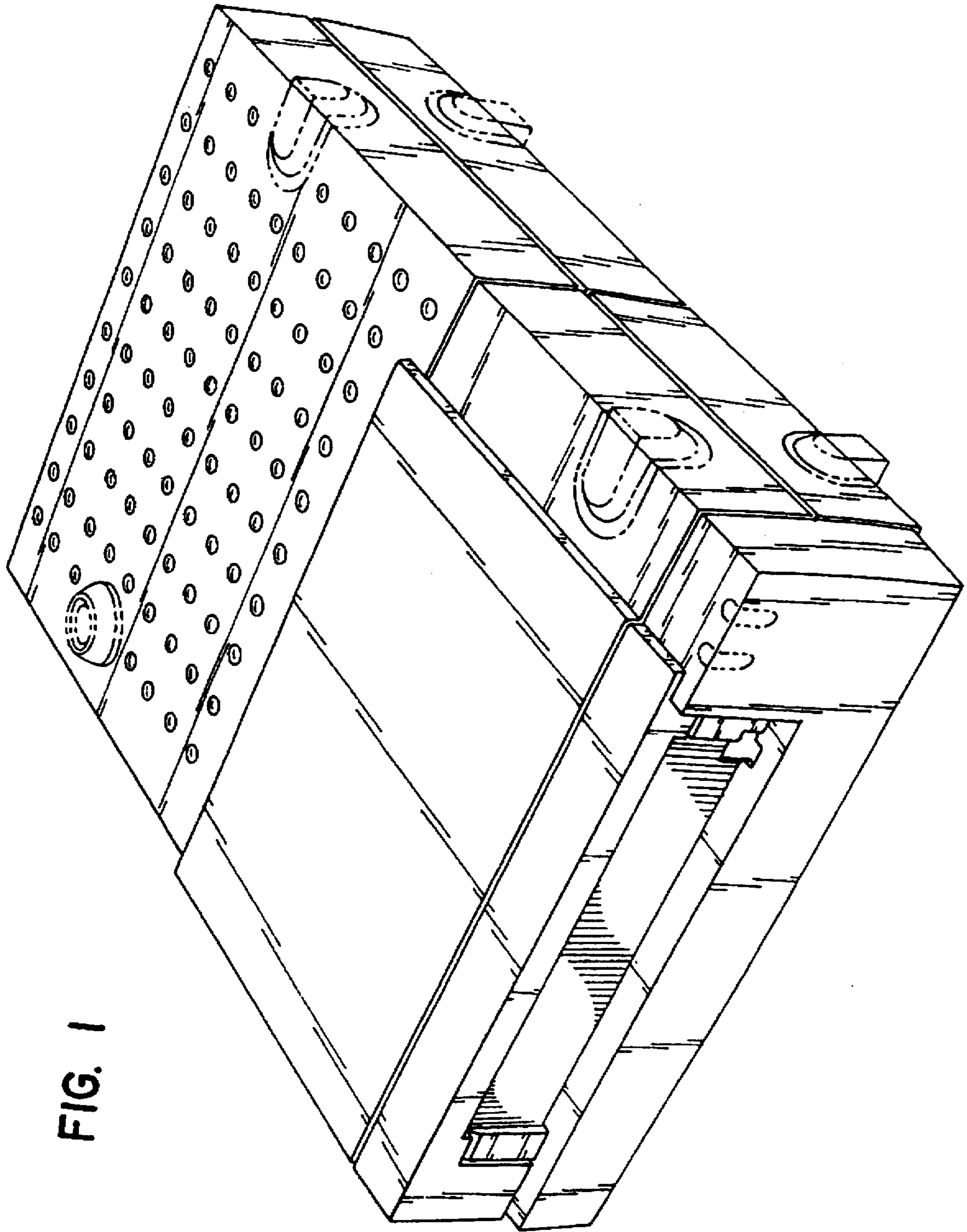


FIG. 1

FIG. 2

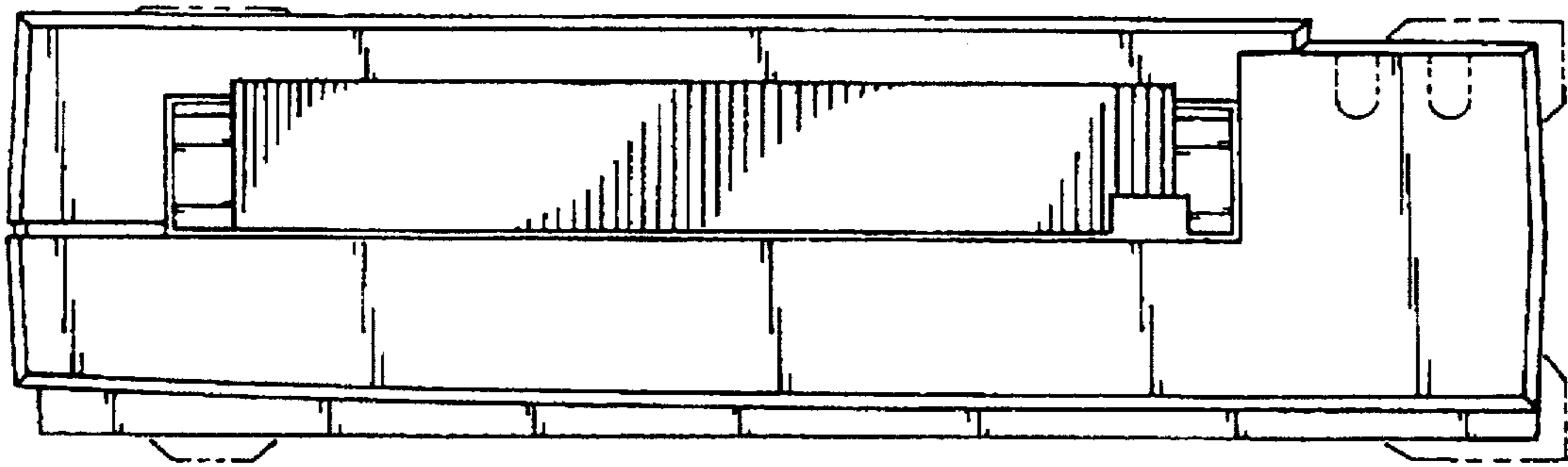


FIG. 3

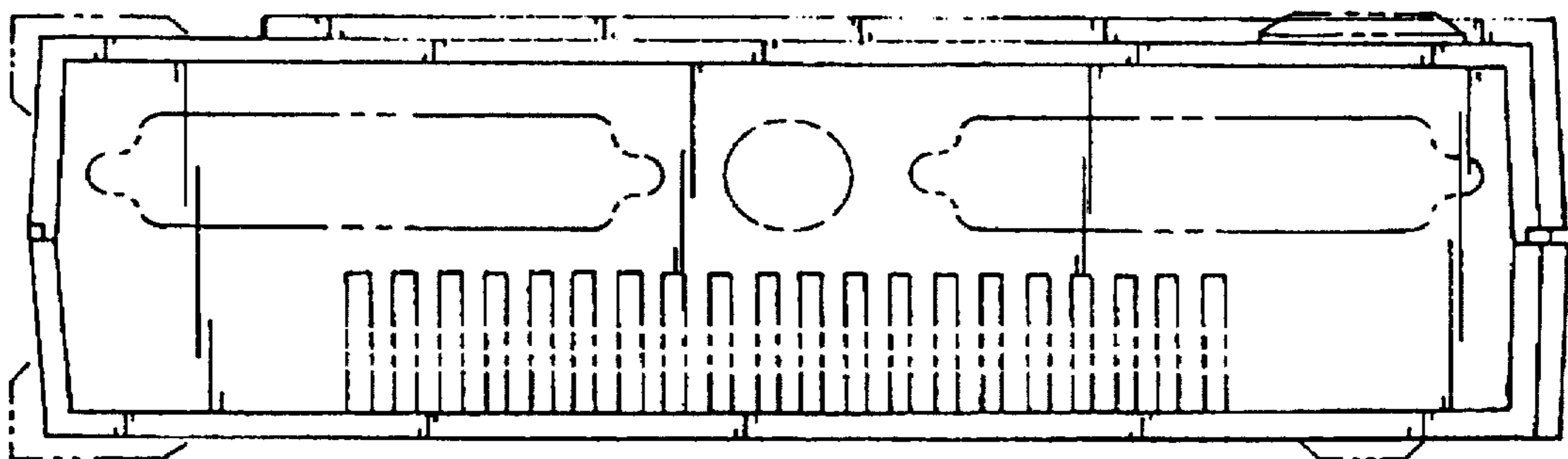


FIG. 4

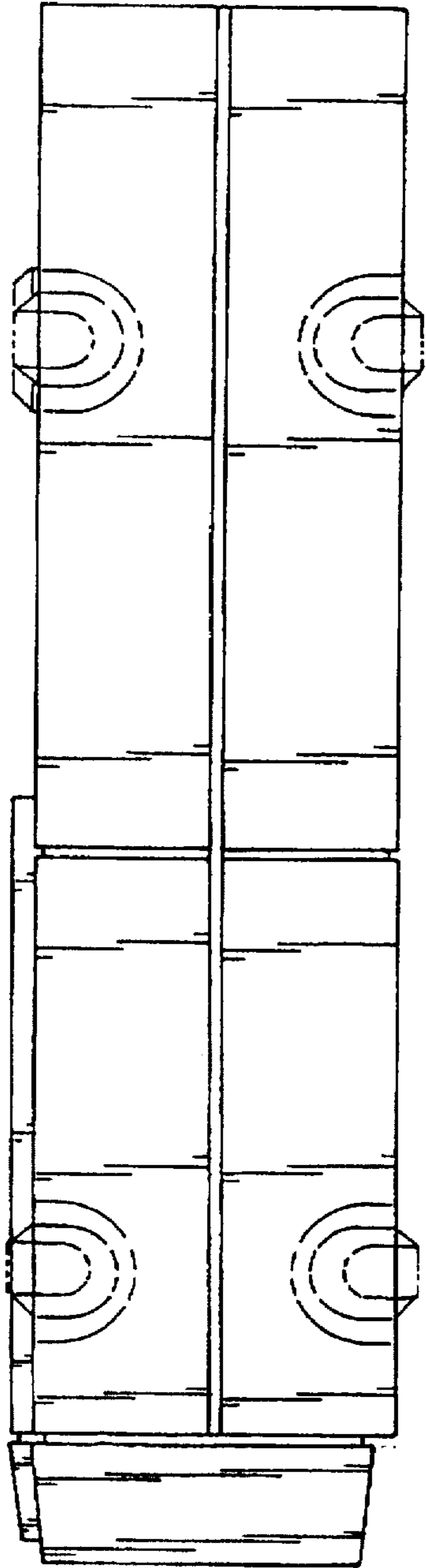


FIG. 5

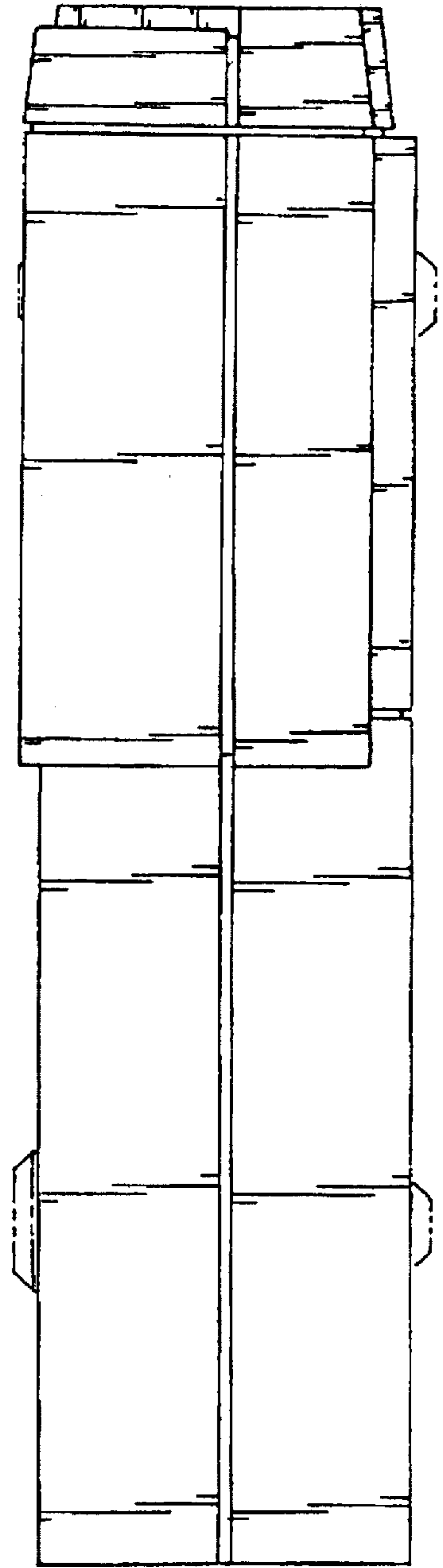


FIG. 6

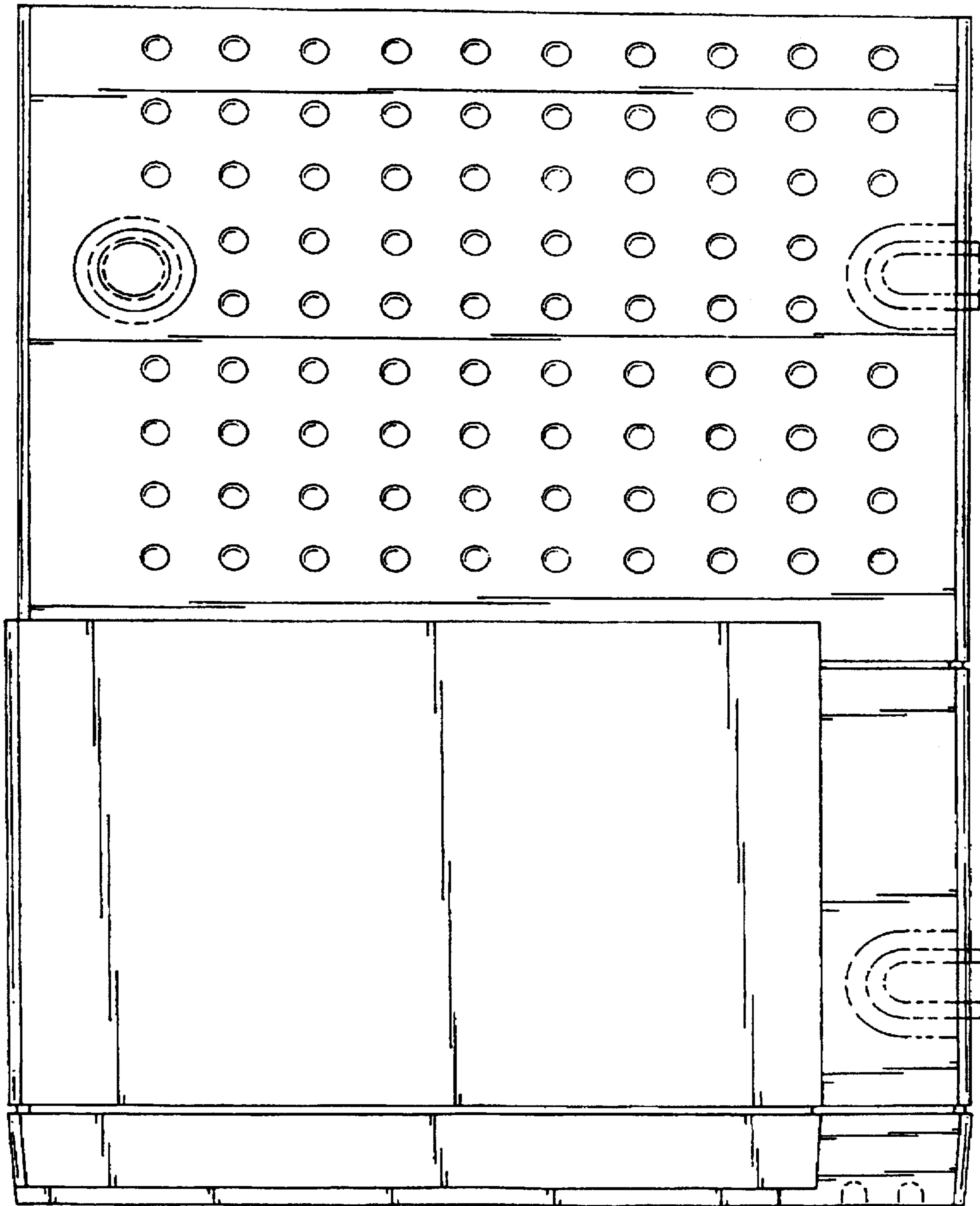


FIG. 7

