



US00D387038S

United States Patent [19]

[11] Patent Number: **Des. 387,038**

Sakuta et al.

[45] Date of Patent: ****Dec. 2, 1997**

[54] **IMAGE PICK-UP APPARATUS**

[75] Inventors: **Kazuaki Sakuta, Komae; Osamu Sakata, Tokyo, both of Japan**

[73] Assignee: **Canon Kabushiki Kaisha, Tokyo, Japan**

[**] Term: **14 Years**

[21] Appl. No.: **60,900**

[22] Filed: **Oct. 10, 1996**

[30] **Foreign Application Priority Data**

Apr. 18, 1996 [JP] Japan 8-11239

[51] LOC (6) Cl. **14-02**

[52] U.S. Cl. **D14/107; D16/232; D16/208**

[58] Field of Search **D14/100, 107; D16/208, 214, 221, 225, 232, 229; 353/61, 66, 119, 122, DIG. 3, DIG. 4; 355/64, 65**

[56] **References Cited**

U.S. PATENT DOCUMENTS

D. 323,819 2/1992 Iimura D14/107

D. 327,672 7/1992 Iimura D14/107
D. 358,377 5/1995 Hasegawa D14/107
D. 364,852 12/1995 Park D16/232
4,963,986 10/1990 Fukuyama et al. 348/373

Primary Examiner—Philip S. Hyder
Assistant Examiner—Adir Aronovich
Attorney, Agent, or Firm—Fitzpatrick, Cella, Harper & Scinto

[57] **CLAIM**

The ornamental design for an image pick-up apparatus, as shown and described.

DESCRIPTION

FIG. 1 is a front view of an image pick-up apparatus showing our new design;
FIG. 2 is a rear view thereof;
FIG. 3 is a top plan view thereof;
FIG. 4 is a bottom plan view thereof;
FIG. 5 is a left side view thereof;
FIG. 6 is a right side view thereof; and,
FIG. 7 is a perspective view thereof.

1 Claim, 7 Drawing Sheets

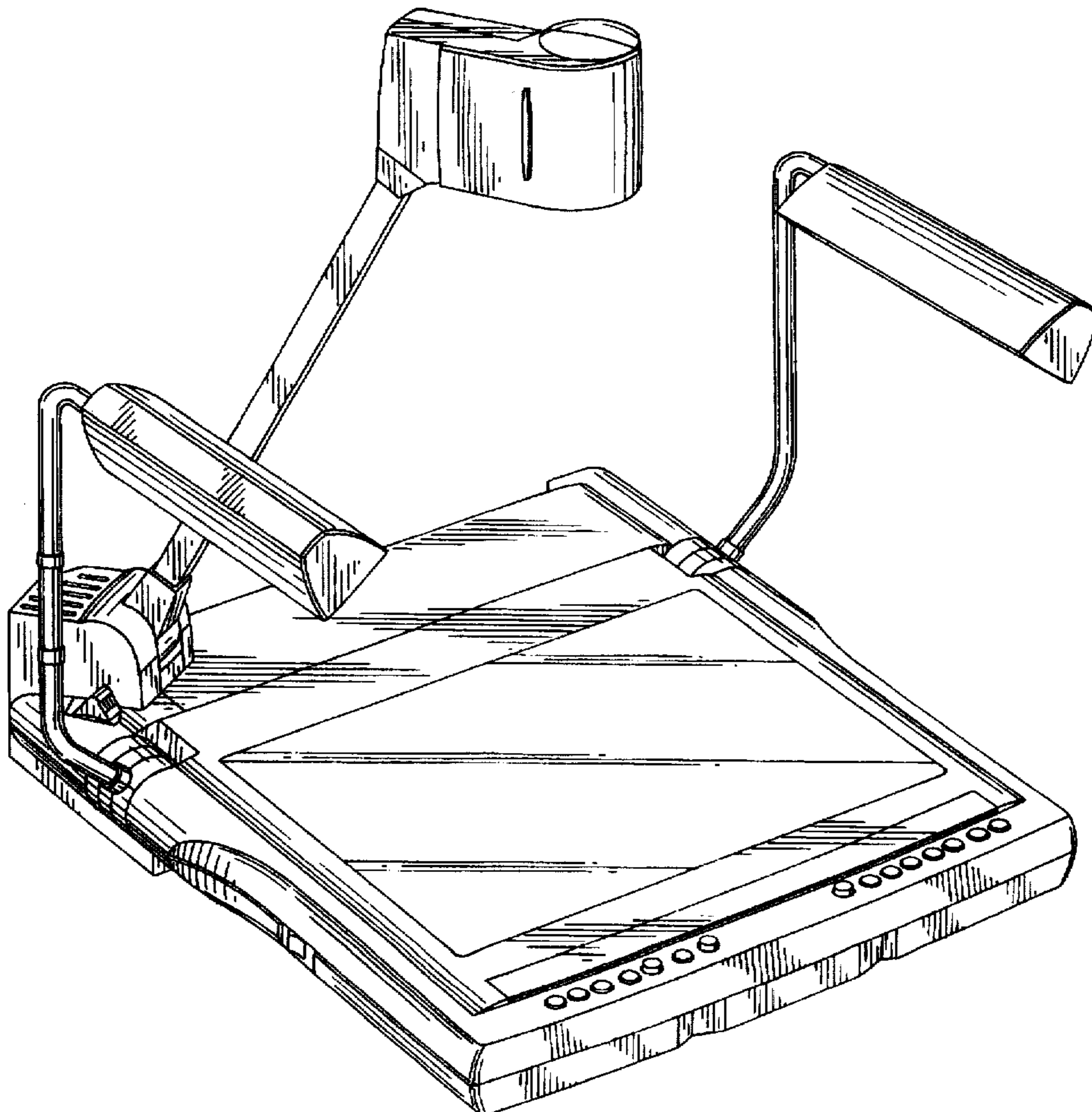
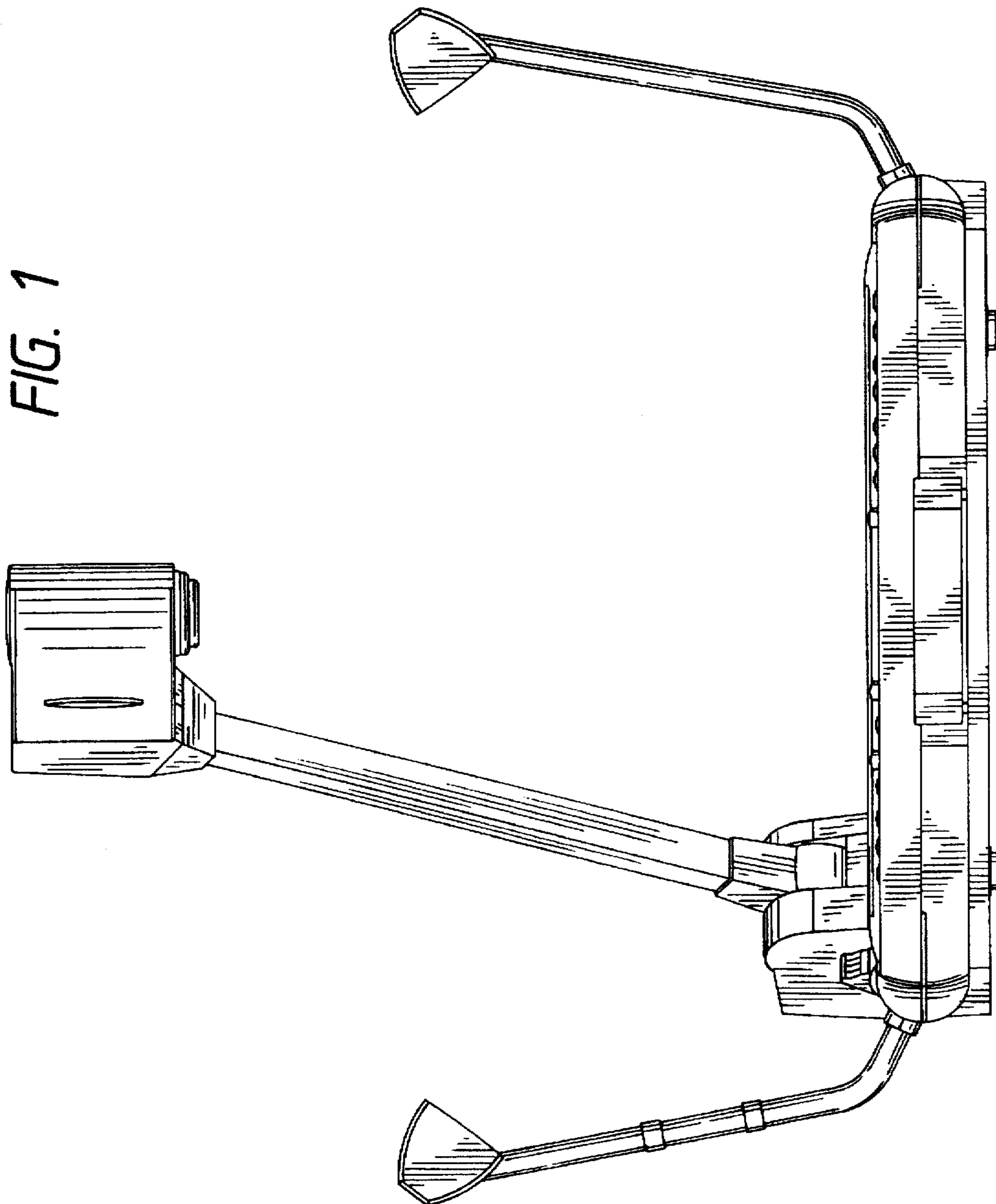


FIG. 1



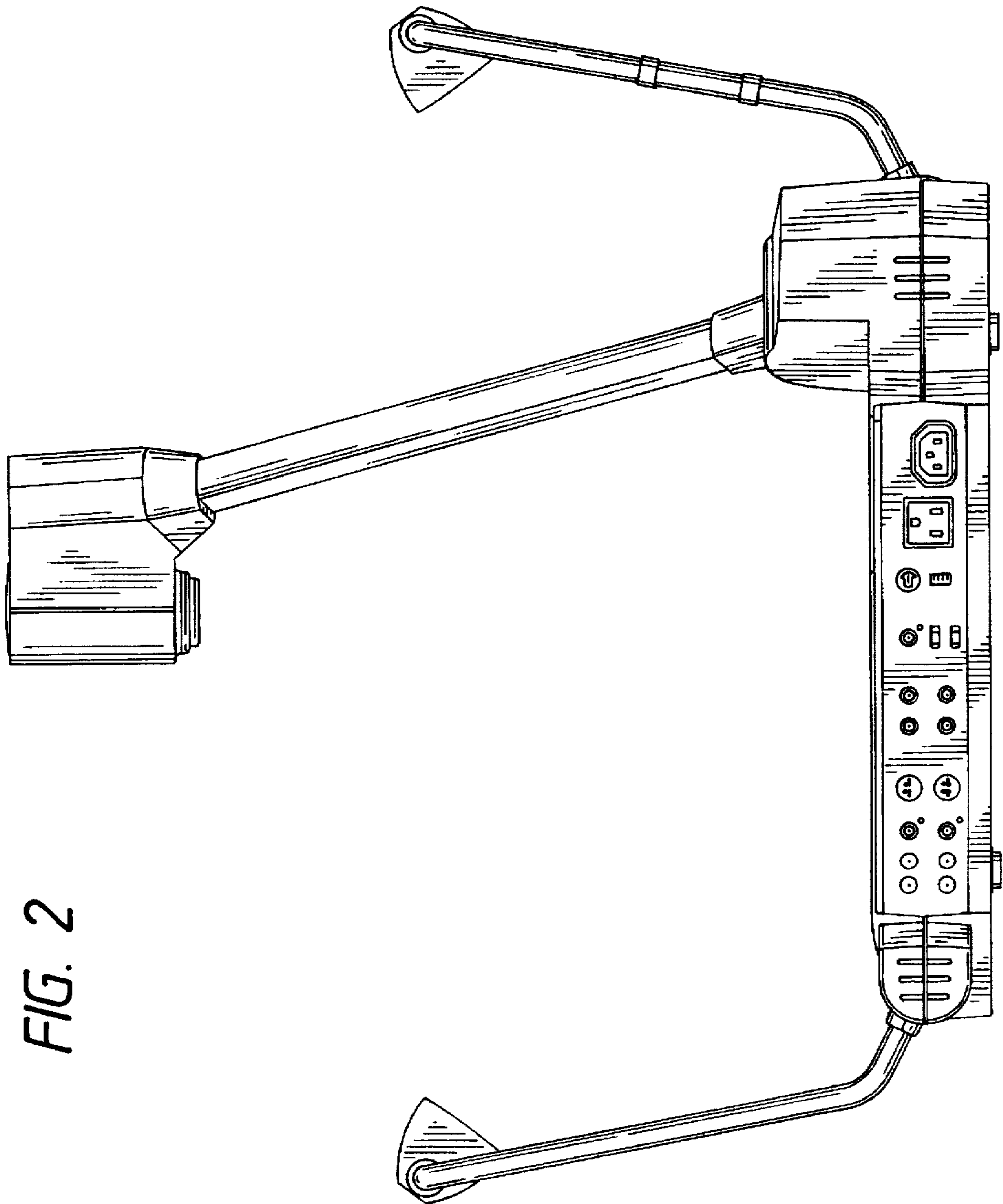


FIG. 2

FIG. 3

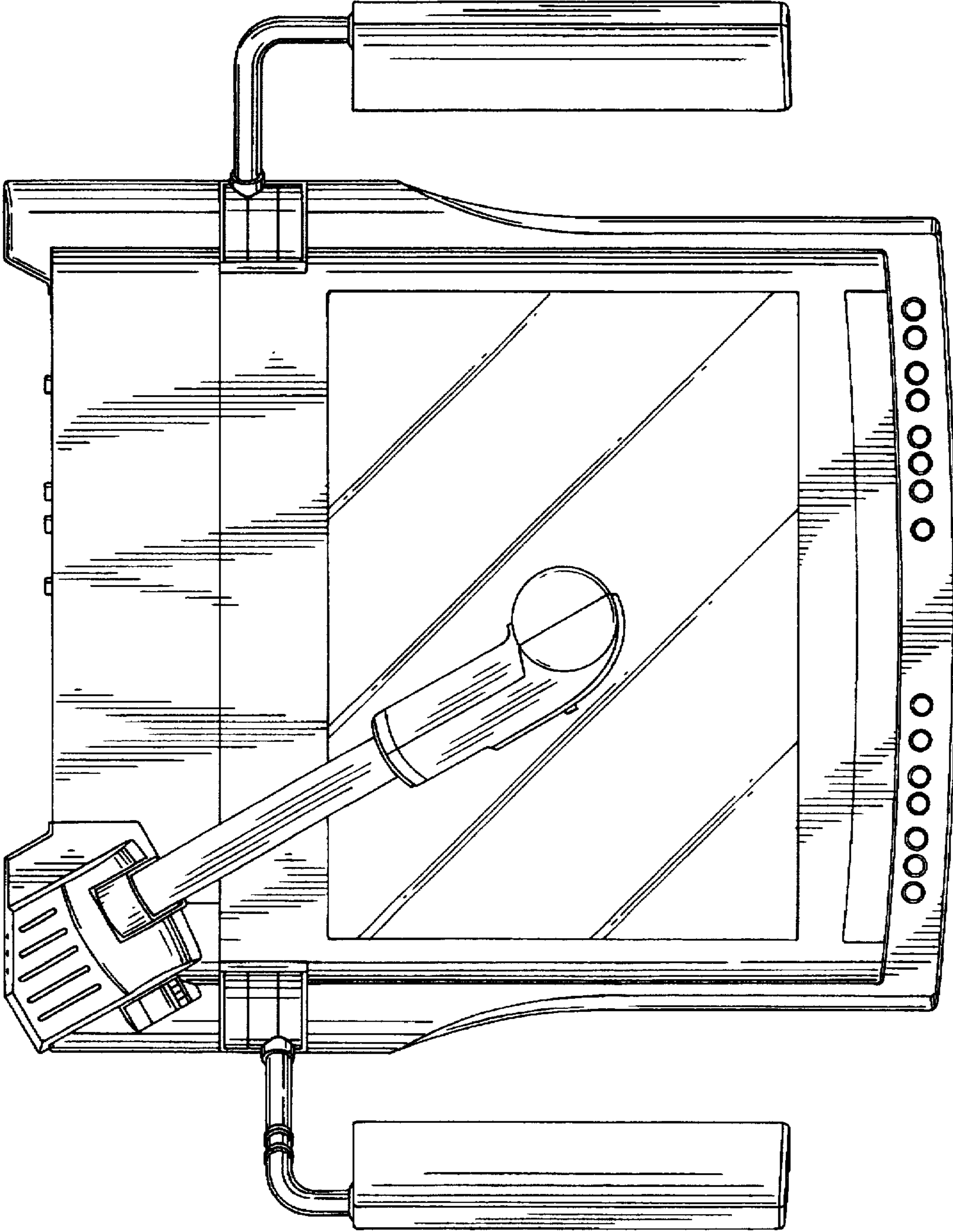


FIG. 4

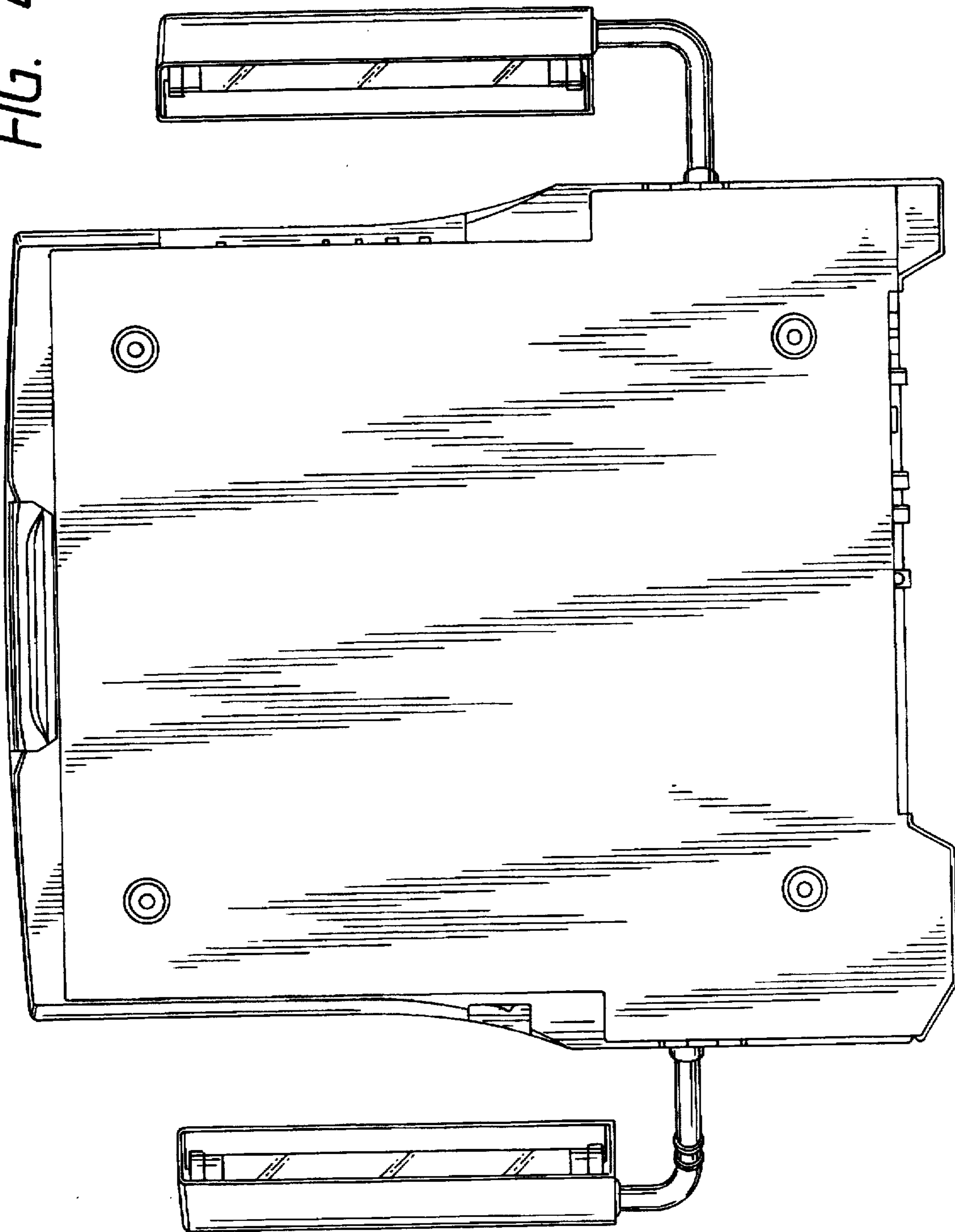


FIG. 5

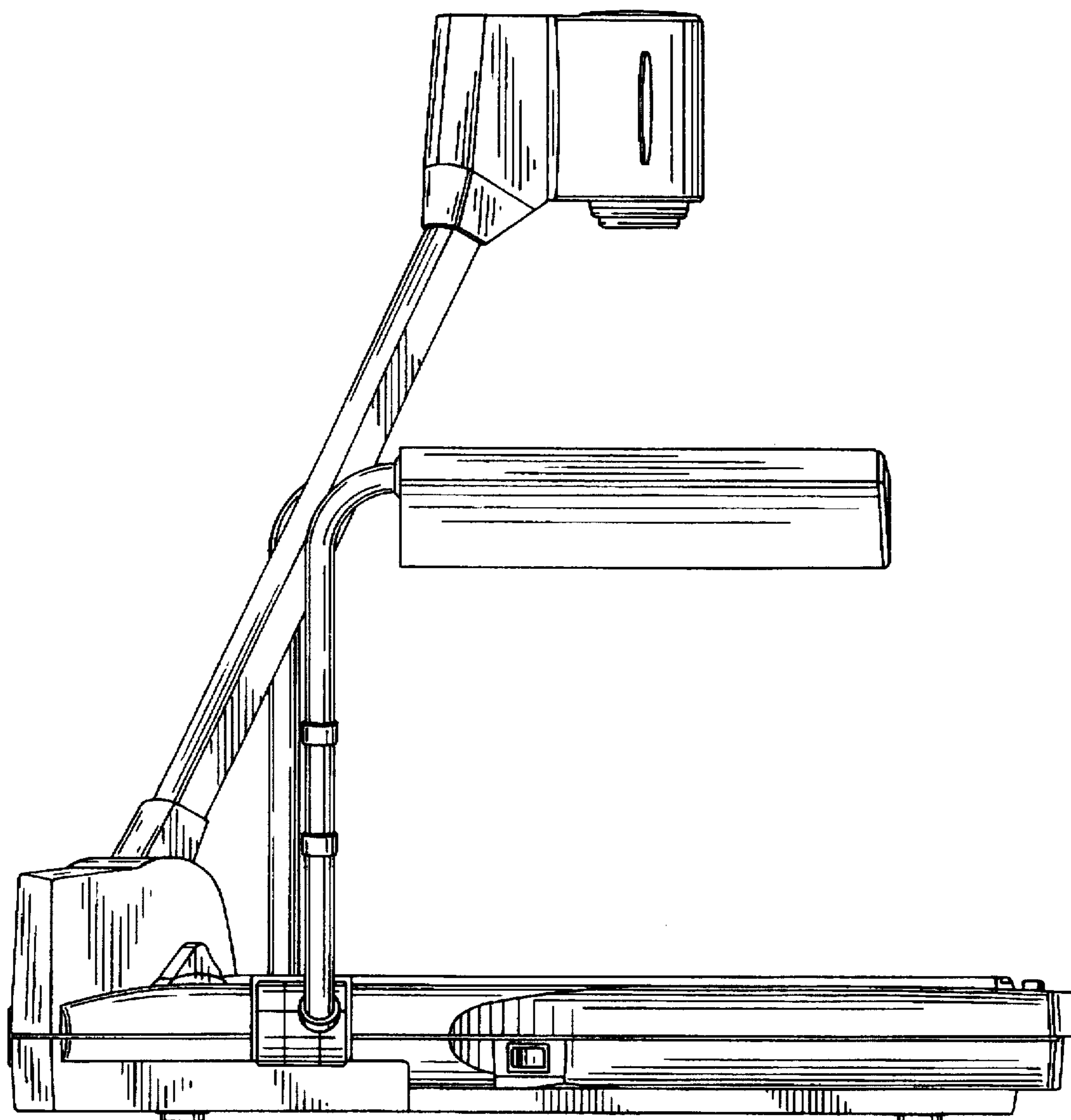


FIG. 6

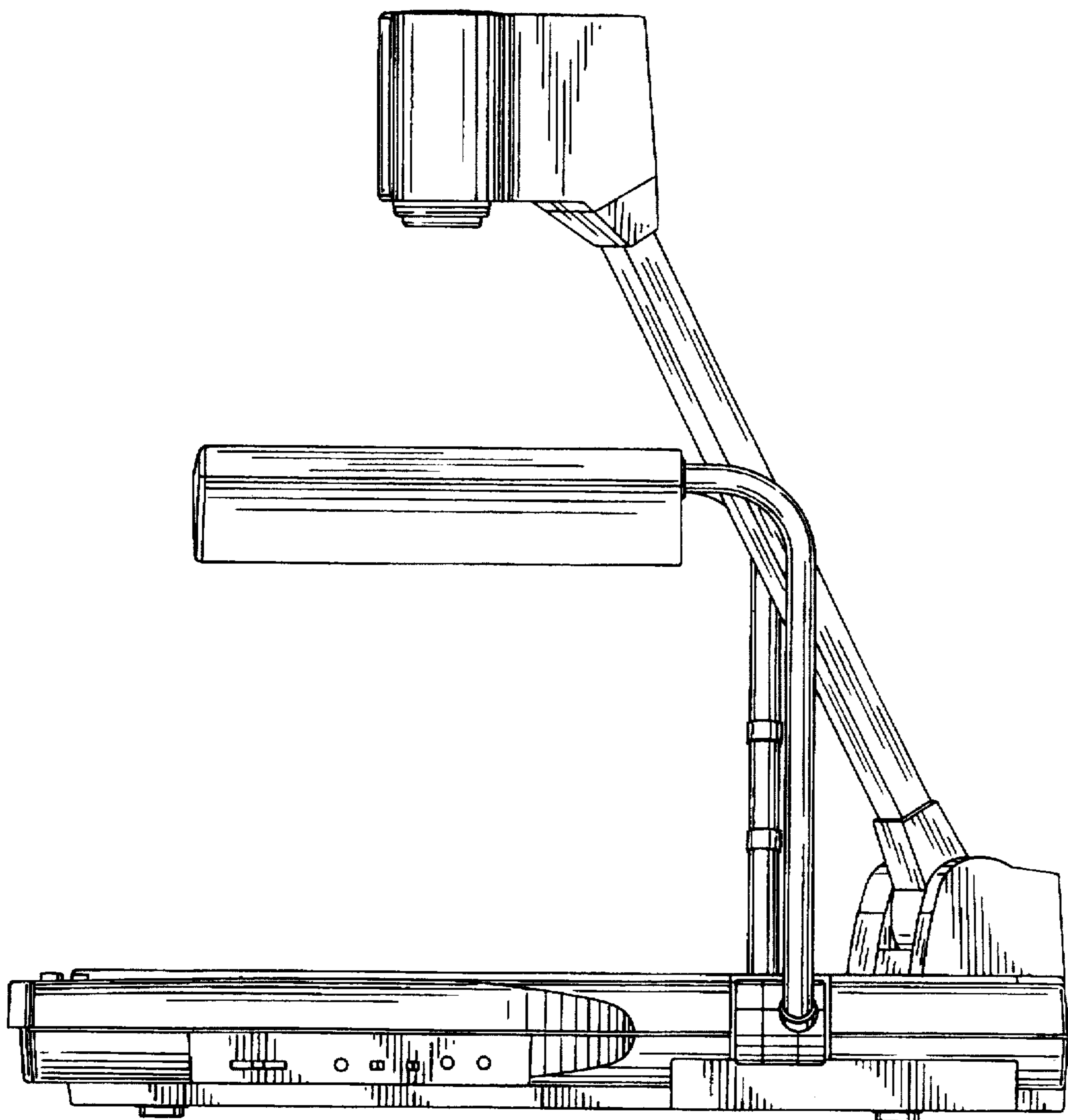


FIG. 7

