



US00D387036S

United States Patent [19] Harden

[11] Patent Number: **Des. 387,036**
[45] Date of Patent: ****Dec. 2, 1997**

[54] **COMPUTER HOUSING**

[75] Inventor: **Daniel K. Harden**, Palo Alto, Calif.

[73] Assignee: **Oracle Corporation**, Redwood Shores, Calif.

[**] Term: **14 Years**

[21] Appl. No.: **49,142**

[22] Filed: **Jan. 18, 1996**

[51] LOC (6) Cl. **14-02**

[52] U.S. Cl. **D14/102**

[58] Field of Search D14/100, 102,
D14/107-109; D13/162, 184, 199; D6/432,
436, 445, 448; 312/208.1; 361/690-695

[56] **References Cited**

U.S. PATENT DOCUMENTS

D. 201,887	8/1965	Bozarth	D14/102
D. 331,568	12/1992	Koller et al.	D14/100
D. 344,073	2/1994	Cipolla et al.	D14/102
D. 350,944	9/1994	Shewmon et al.	D14/102

D. 359,478	6/1995	Shoda	D14/100
D. 361,060	8/1995	Kumagaya et al.	D14/100
D. 372,483	8/1996	Dow et al.	D14/102 X

Primary Examiner—Freda Nunn
Attorney, Agent, or Firm—Townsend and Townsend and Crew LLP

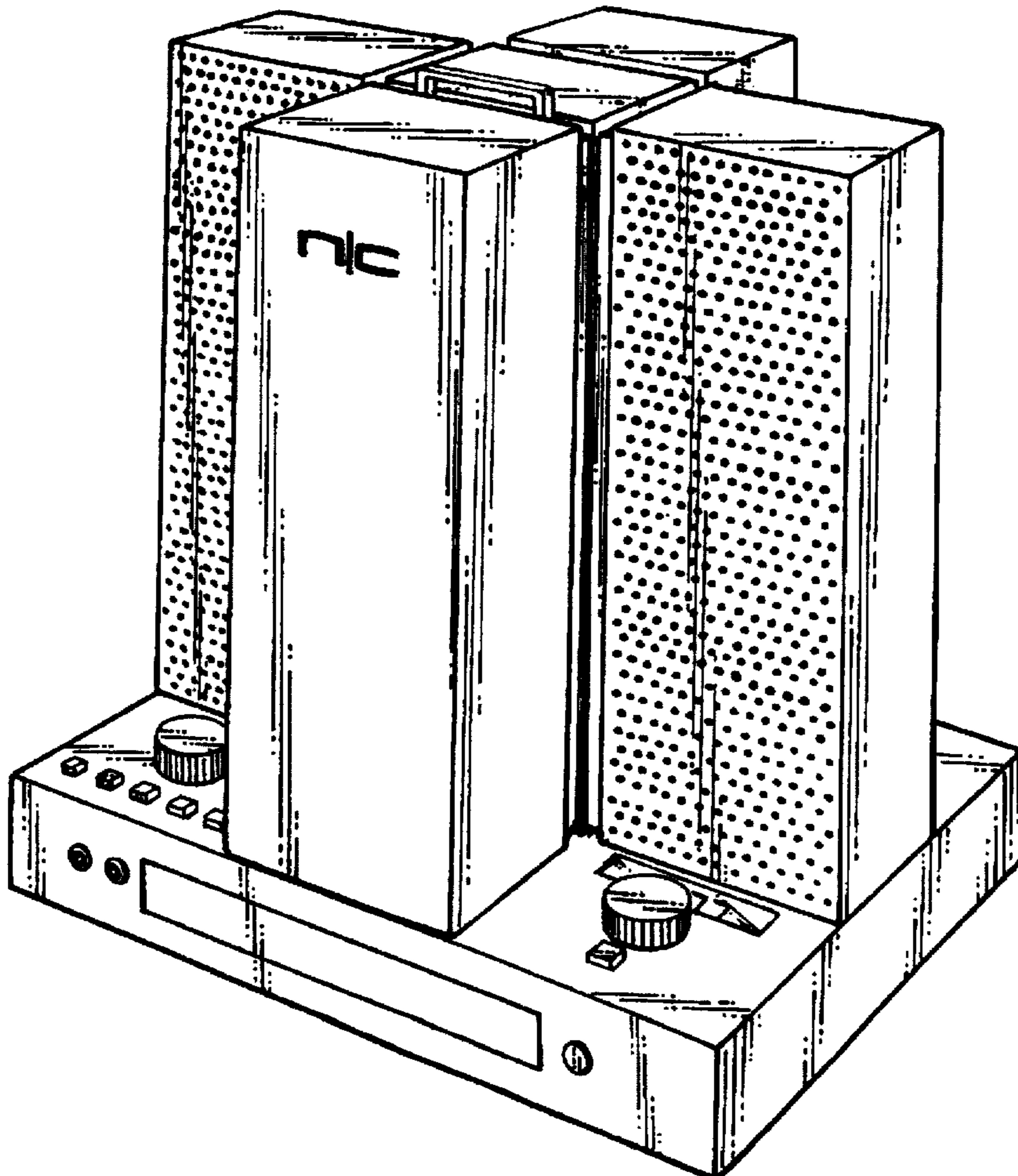
[57] **CLAIM**

The ornamental design for a computer housing, as shown and described.

DESCRIPTION

FIG. 1 is a perspective view of a computer housing showing my new design;
FIG. 2 is a top plan view thereof;
FIG. 3 is a front elevational view thereof;
FIG. 4 is a right side elevational view, the left side elevational view being a mirror image; and,
FIG. 5 is a rear elevational view thereof.
The undisclosed bottom plan view is unornamented except for the inclusion of the support elements that can be seen in FIGS. 3-5.

1 Claim, 3 Drawing Sheets



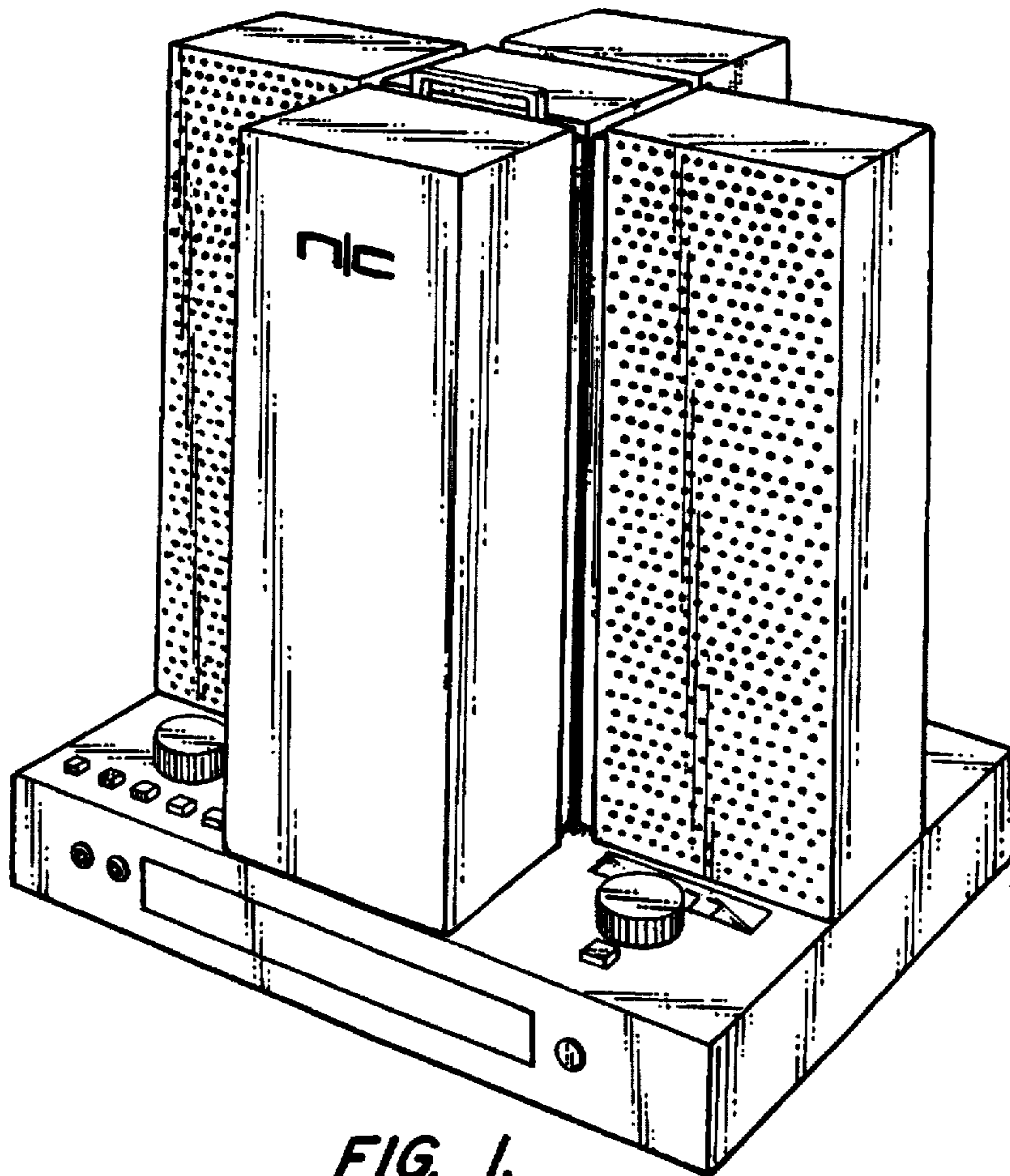


FIG. 1.

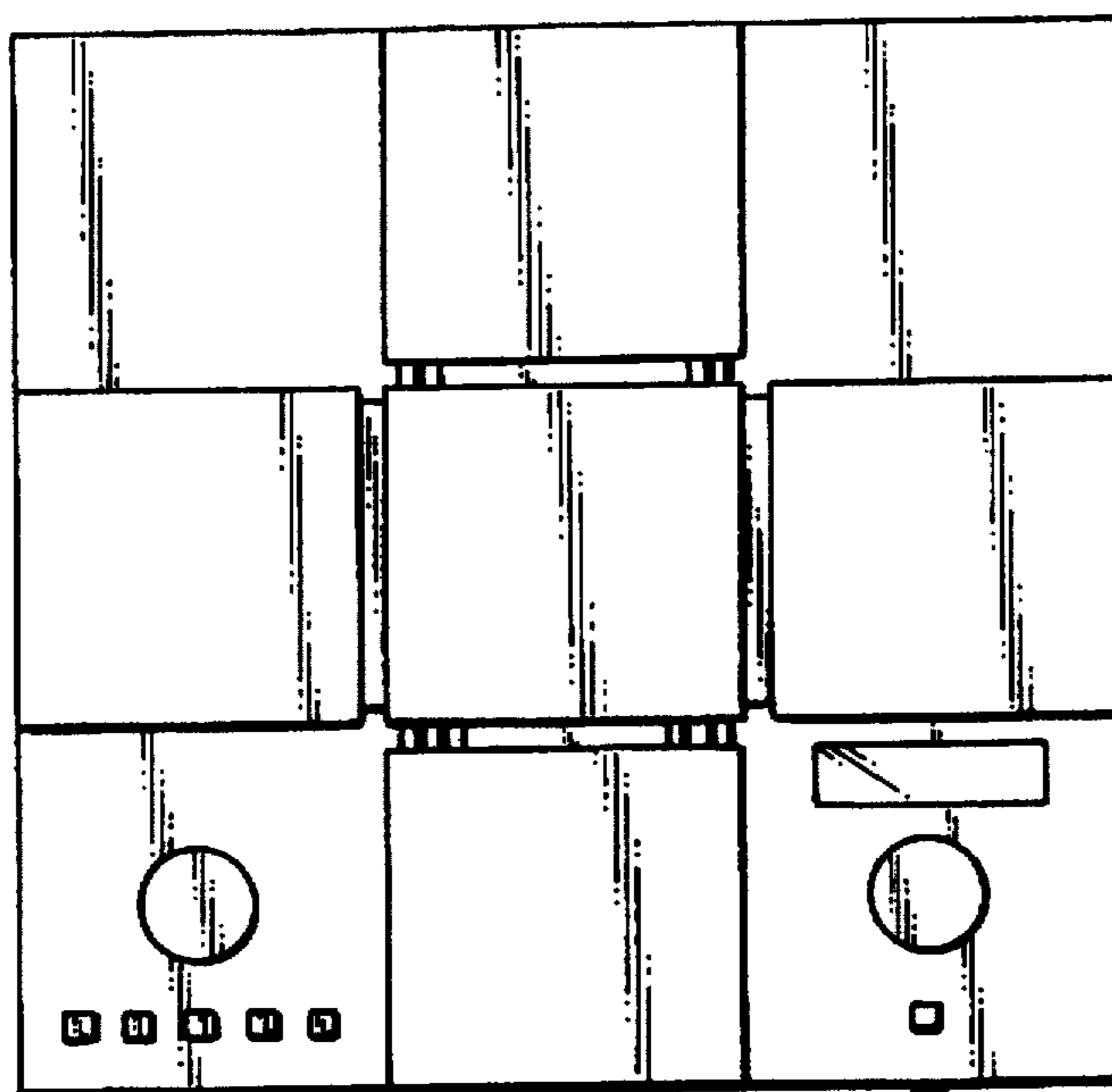


FIG. 2.

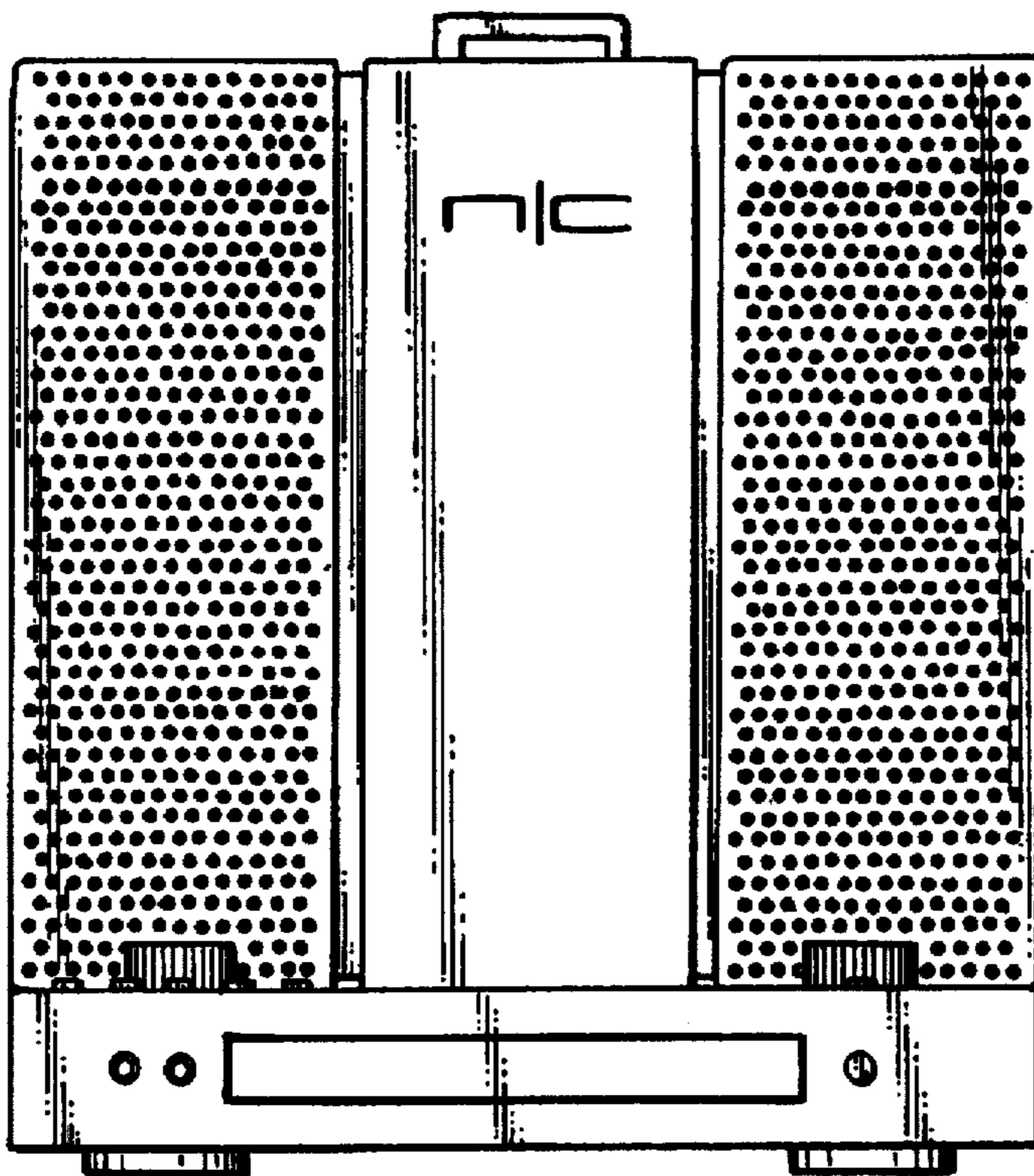


FIG. 3.

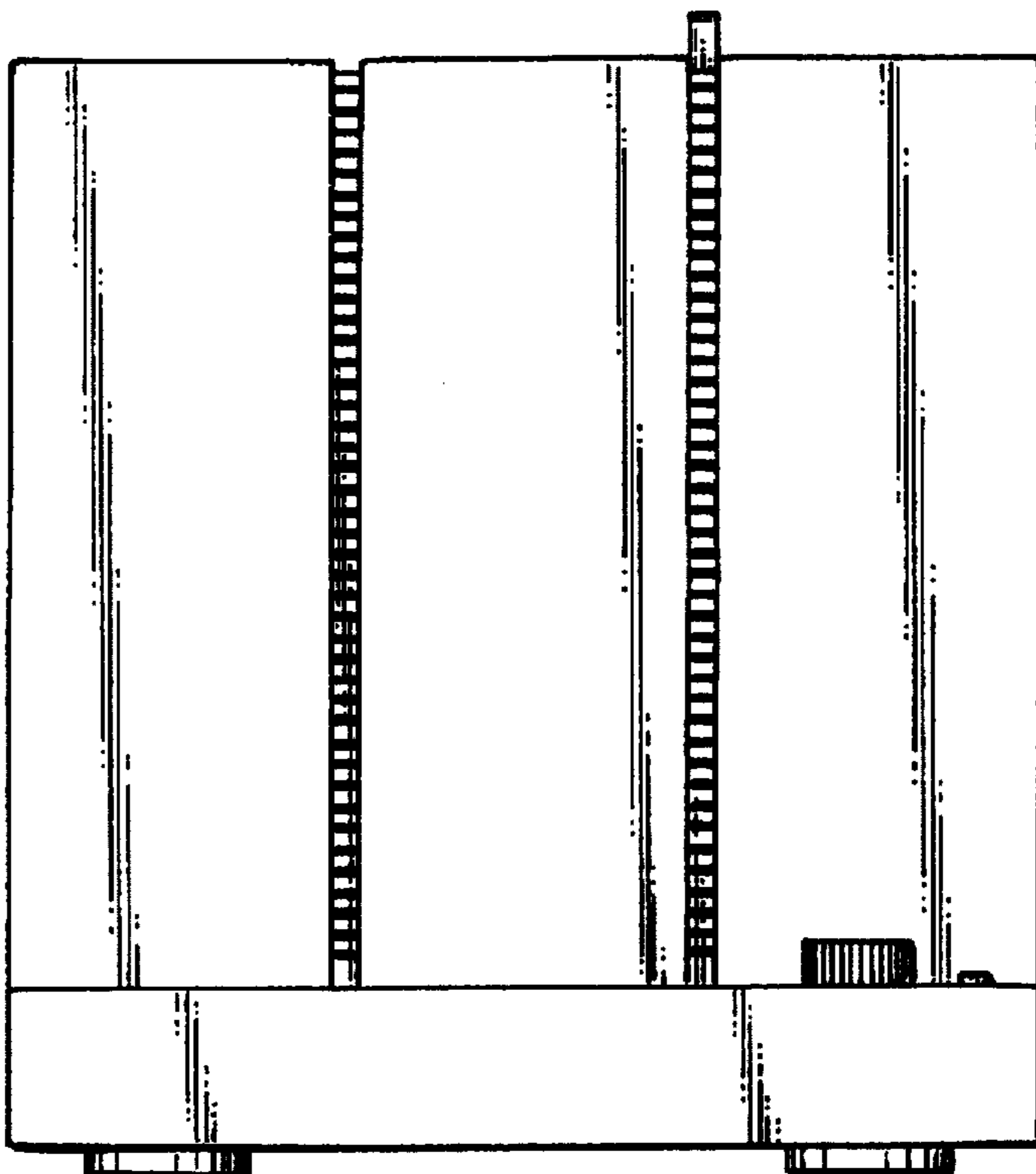


FIG. 4.

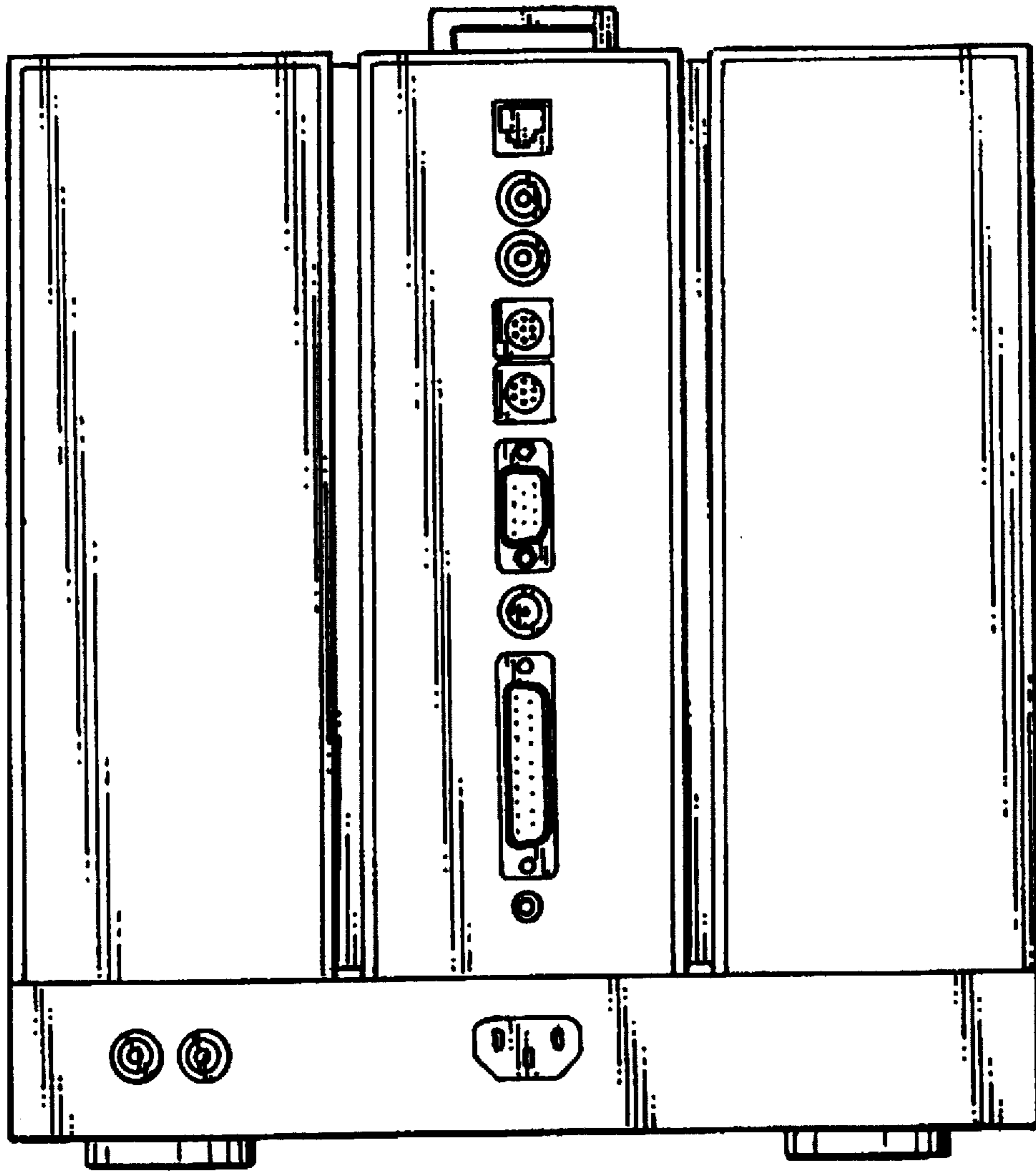


FIG 5.