



US00D387027S

United States Patent [19]

[11] Patent Number: **Des. 387,027**

Bradley

[45] Date of Patent: ****Dec. 2, 1997**

[54] **VEHICLE WHEEL**

[75] Inventor: **Robert A. Bradley, Fullerton, Calif.**

[73] Assignee: **Ultra Wheel Co., Buena Park, Calif.**

[**] Term: **14 Years**

[21] Appl. No.: **51,058**

[22] Filed: **Mar. 1, 1996**

[51] LOC (6) CL **12-16**

[52] U.S. Cl. **D12/205**

[58] Field of Search **D12/204-213;**
301/64.1, 65, 37.1

D. 323,138	1/1992	Malmgren et al. .	
3,145,062	8/1964	Judd	301/37.1 X
3,174,803	3/1965	Mulhern et al.	301/37.1 X
4,397,504	8/1983	Connell	301/37.1
4,430,786	2/1984	Connell	301/37.1 X

OTHER PUBLICATIONS

16 page catalog captioned Cragar—The Wheel People, undated.

16 page catalog captioned American Racing Equipment—Custom Wheels 1992, with copyright notice 1991.

8 page catalog captioned Progressive 1991 Catalog, with copyright notice 1991.

20 page catalog captioned Keystone—The Wheel Makers, with legion Effective Mar. 8, 1991.

Primary Examiner—James Gandy

Assistant Examiner—Stacia Sinuik

Attorney, Agent, or Firm—Pretty, Schroeder & Poplawski

[56]

References Cited

U.S. PATENT DOCUMENTS

D. 34,108	2/1901	Brayton .	
D. 176,544	1/1956	Lyon .	
D. 252,749	8/1979	Retzlaff	D12/205
D. 256,795	9/1980	Blanchard .	
D. 259,342	5/1981	Envall et al. .	
D. 292,389	10/1987	Boyle et al. .	
D. 292,568	11/1987	Cafaro et al. .	
D. 292,691	11/1987	Envall .	
D. 299,918	2/1989	Envall et al. .	
D. 300,422	3/1989	Schinella .	
D. 300,818	4/1989	Reid .	
D. 301,864	6/1989	Hempelmann	D12/205
D. 312,997	12/1990	Carlson	D12/205
D. 316,844	5/1991	Peloquin et al. .	
D. 322,421	12/1991	Shinoda .	

[57]

CLAIM

The ornamental design for a vehicle wheel, as shown and described.

DESCRIPTION

FIG. 1 is a perspective view showing the vehicle wheel; FIG. 2 is a front view of the wheel of FIG. 1; FIG. 3 is a side view of the wheel of FIG. 1; FIG. 4 is a rear view of the wheel of FIG. 1; and, FIG. 5 is a vertical sectional view taken along the line 5—5 of FIG. 2.

1 Claim, 5 Drawing Sheets

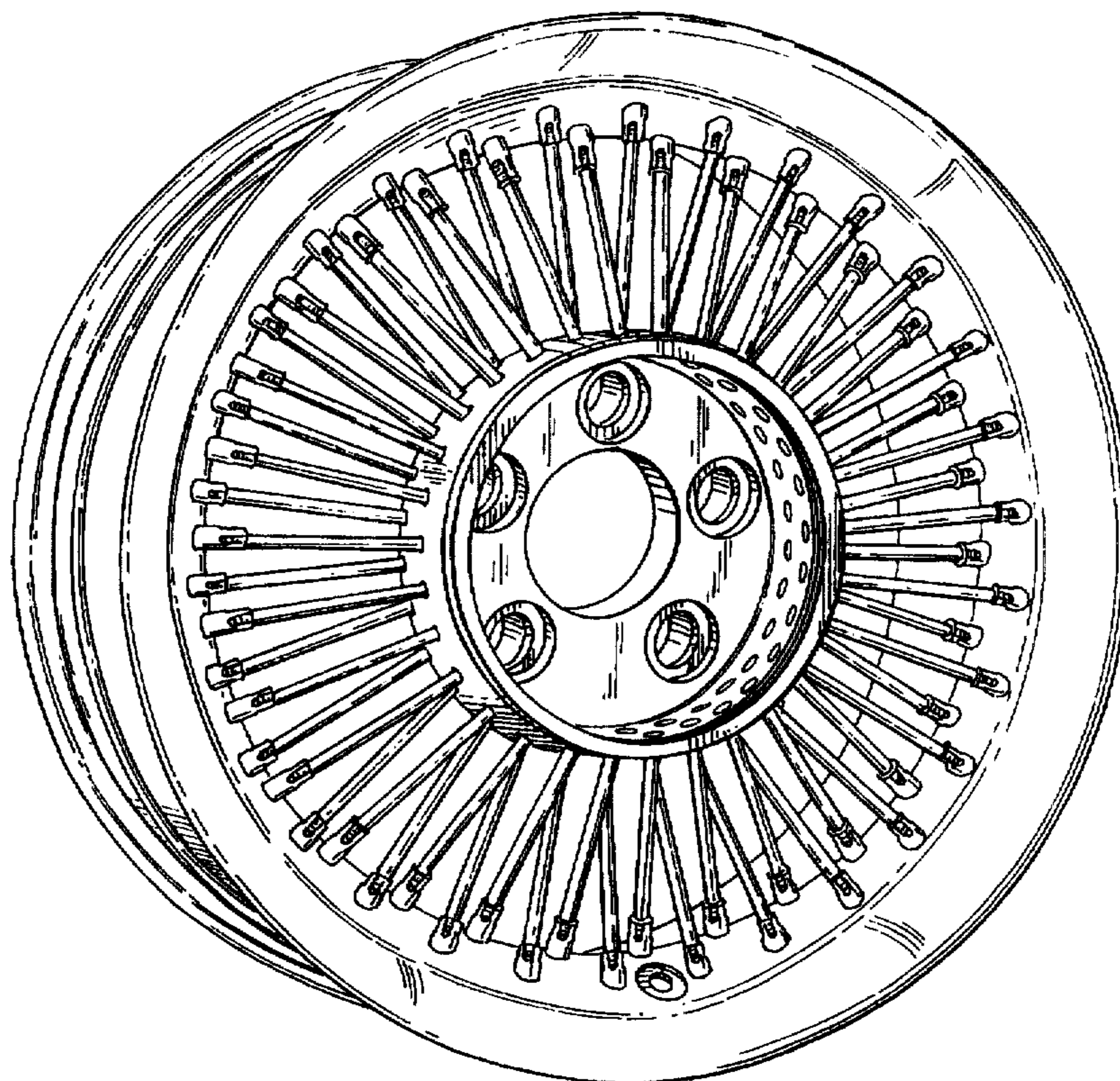


FIG. 1

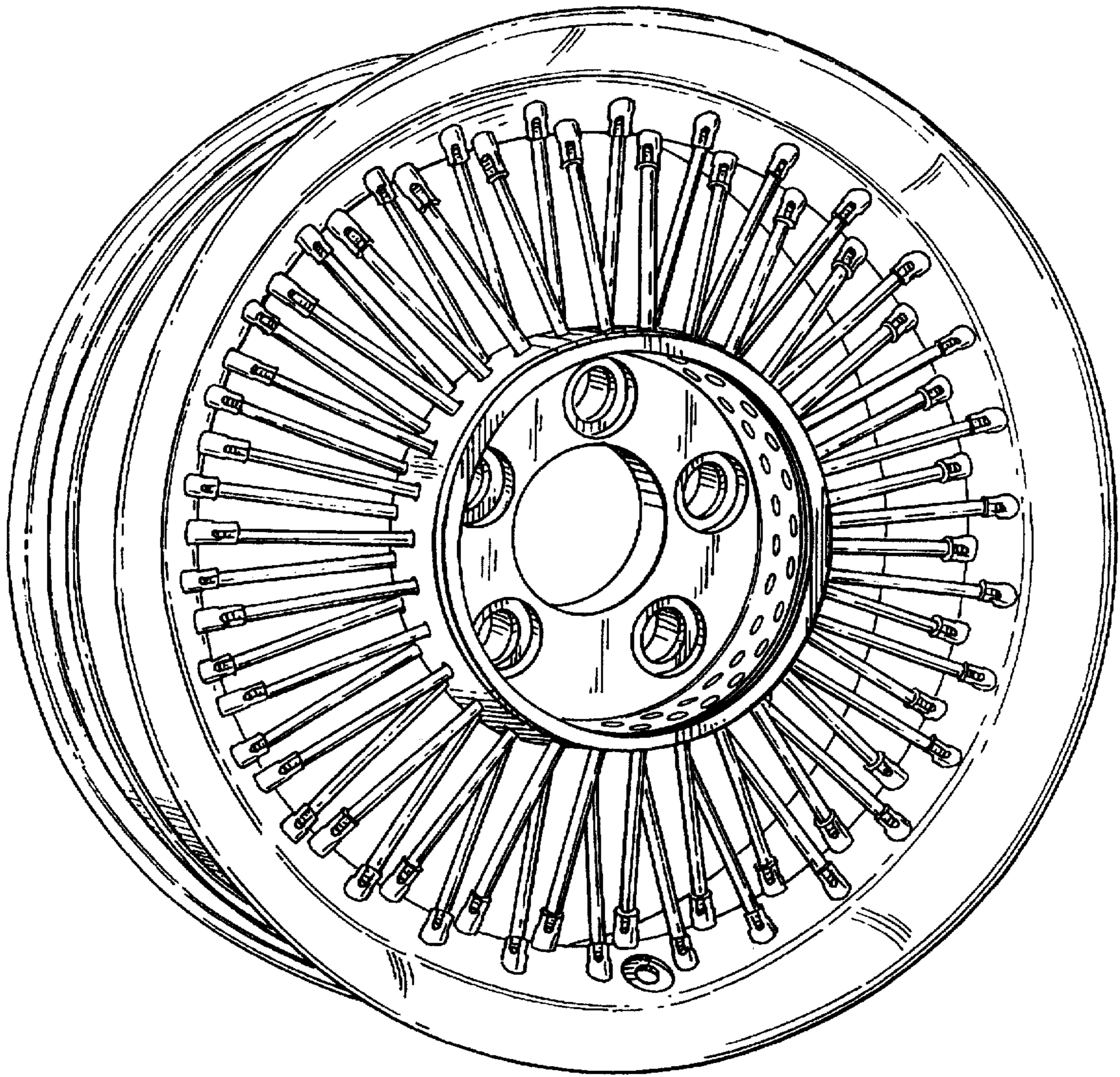


FIG. 2

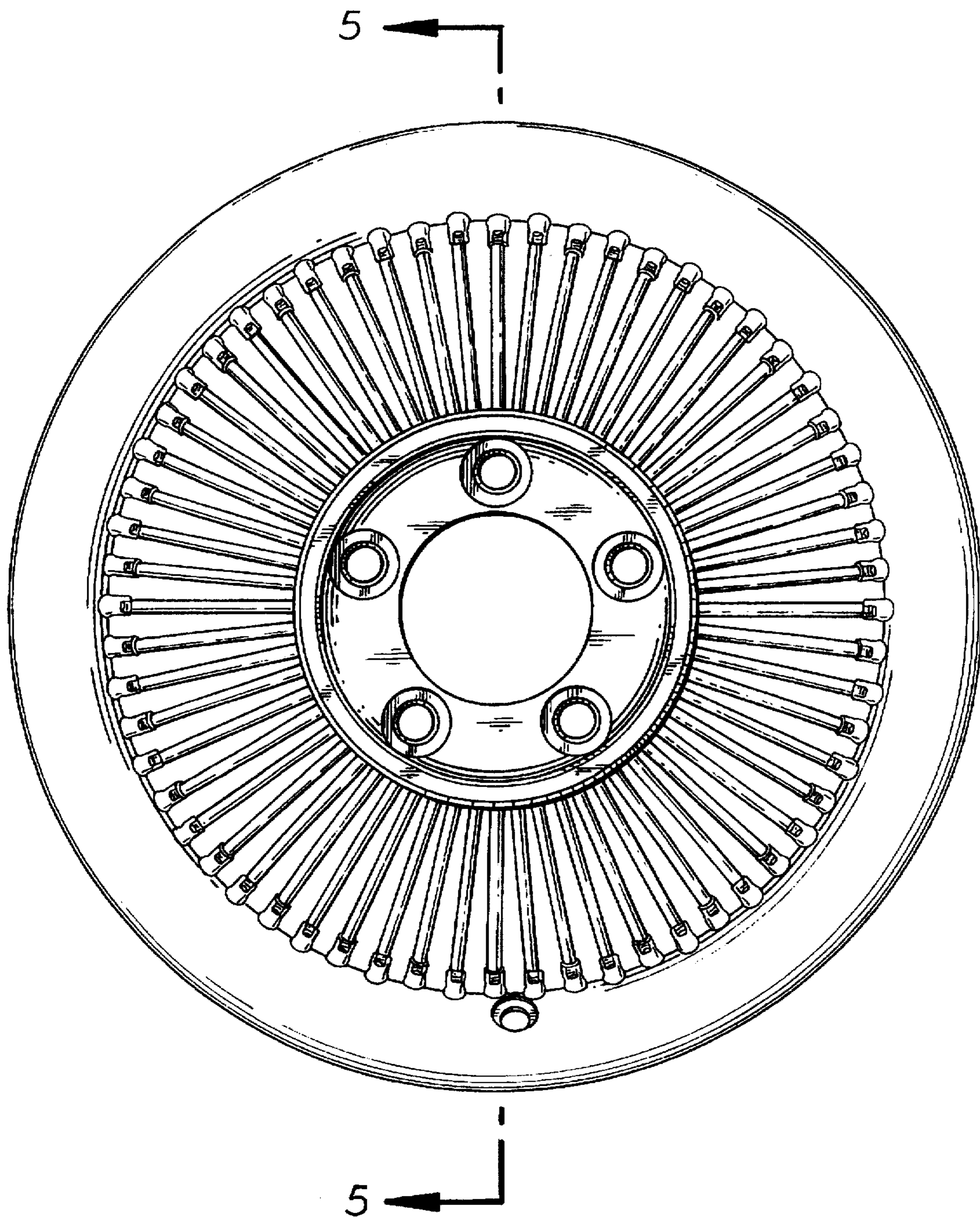


FIG. 3

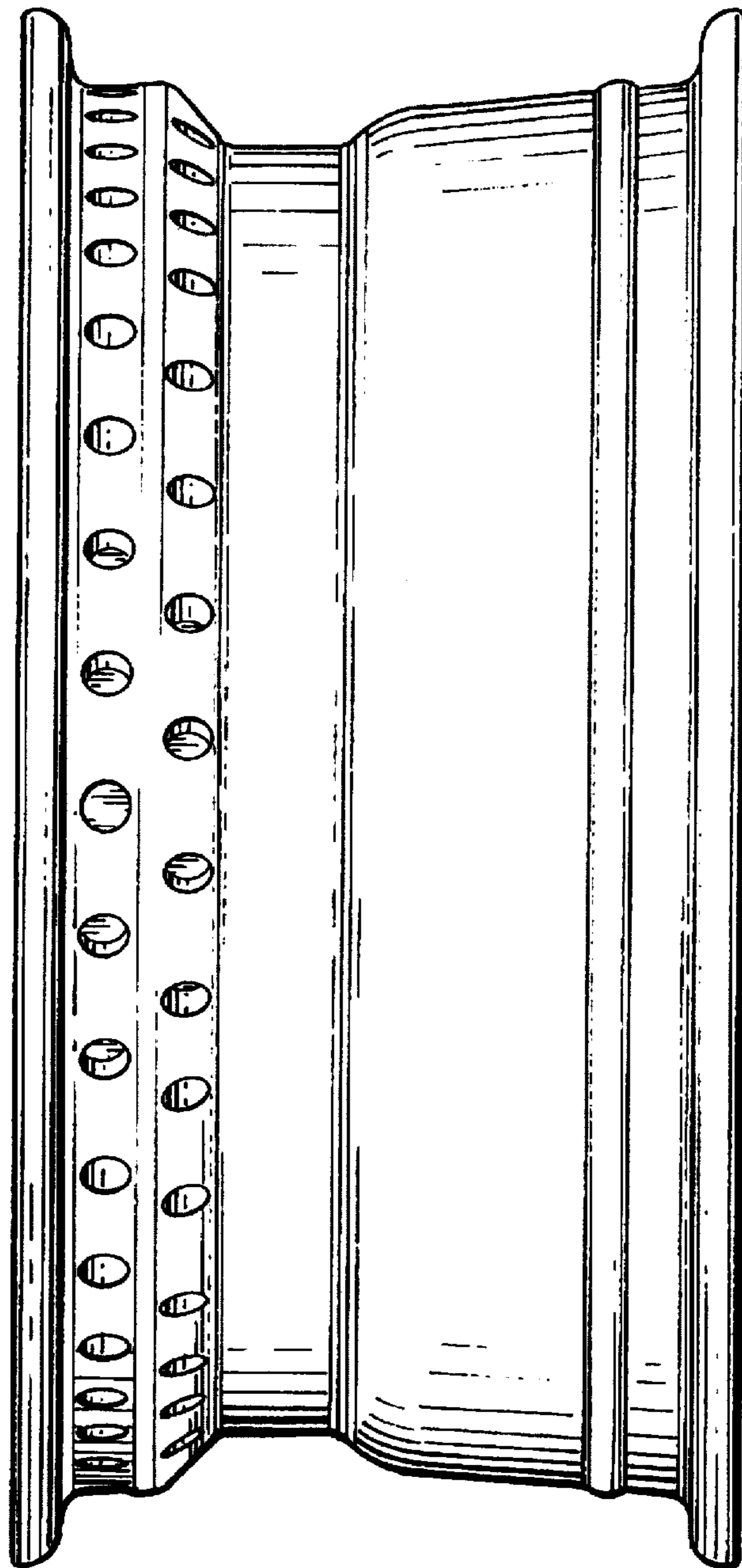


FIG. 4

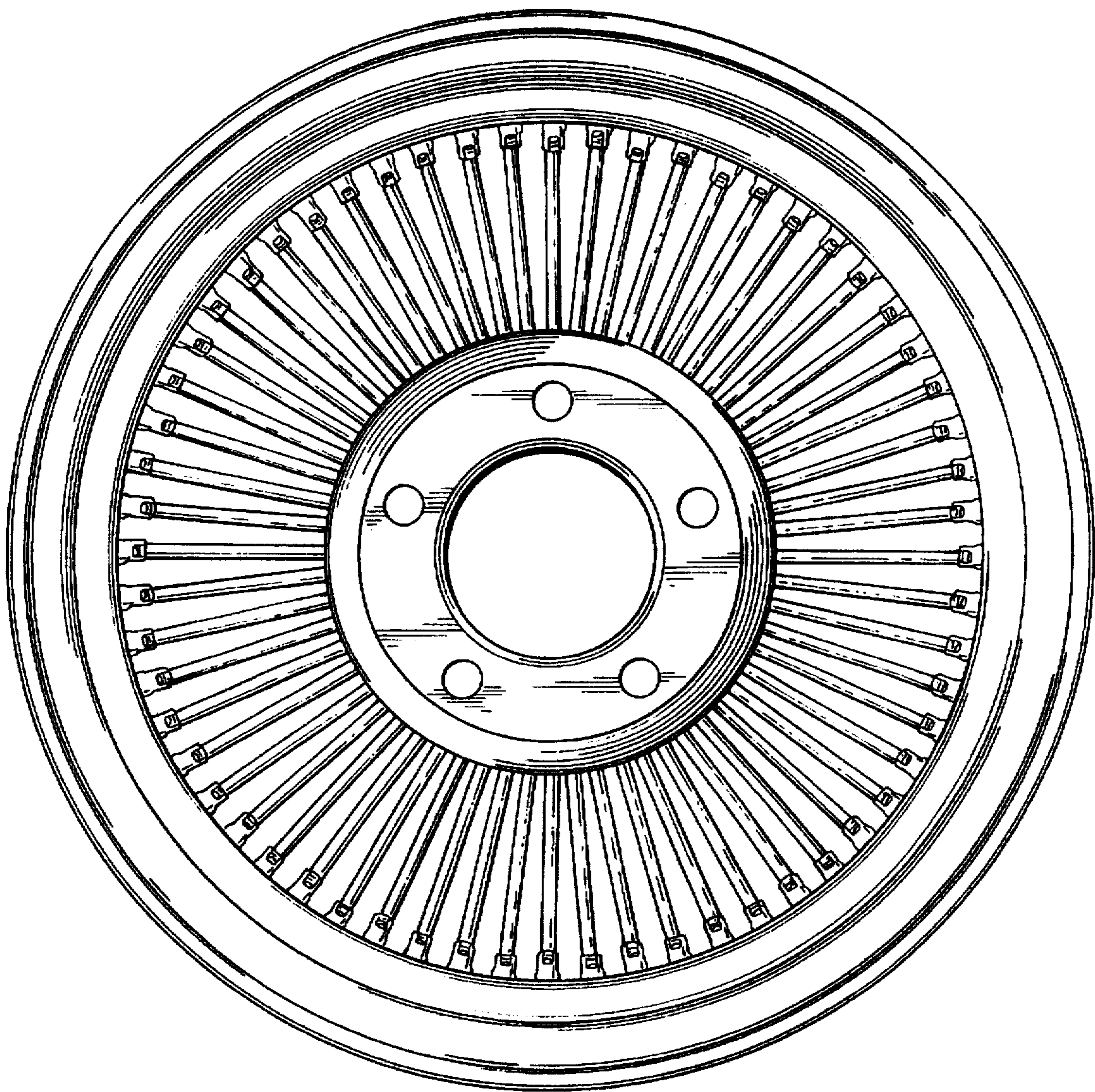


FIG. 5

