



US00D387026S

United States Patent [19]

[11] Patent Number: **Des. 387,026**

Barone

[45] Date of Patent: ****Dec. 2, 1997**

[54] **BELT BUCKLE**

4,210,035	7/1980	White	24/70 SK
4,627,132	12/1986	Markham	24/169
4,893,384	1/1990	Bidoia et al.	24/70 SK

[76] Inventor: **Peter Barone**, 23 Cabrillo Blvd., Toms River, N.J. 08175

Primary Examiner—Ralf Seifert
Attorney, Agent, or Firm—Harold H. Dutton, Jr.

[**] Term: **14 Years**

[57] **CLAIM**

[21] Appl. No.: **60,448**

The ornamental design for a belt buckle, as shown.

[22] Filed: **Sep. 30, 1996**

DESCRIPTION

[51] LOC (6) Cl. **02-07**

[52] U.S. Cl. **D11/237**

[58] Field of Search D11/200, 218,
D11/231; 24/185, 186, 180, 70 SK, 169

FIG. 1 is a perspective view of a belt buckle showing my new design;

FIG. 2 is a rear view thereof;

FIG. 3 is a front view thereof;

FIG. 4 is a left view thereof;

FIG. 5 is a right view thereof;

FIG. 6 is a top view thereof; and,

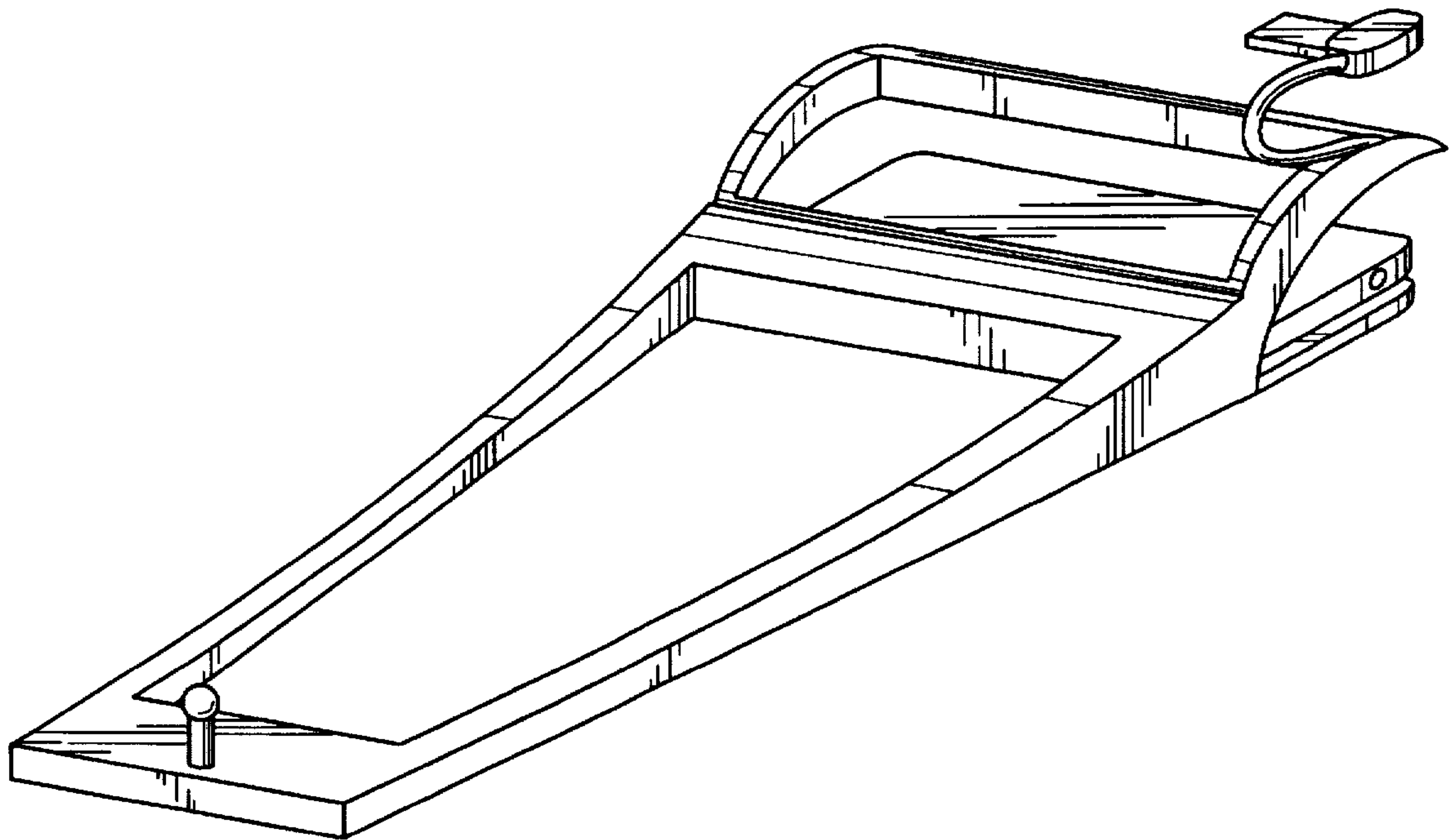
FIG. 7 is a bottom view thereof.

[56] **References Cited**

U.S. PATENT DOCUMENTS

D. 157,382	2/1950	Krasnow	D11/237
D. 157,817	3/1950	White	D11/237
D. 248,918	8/1978	Kudu	D11/241
2,078,651	4/1937	Crocker, Jr.	24/180

1 Claim, 4 Drawing Sheets



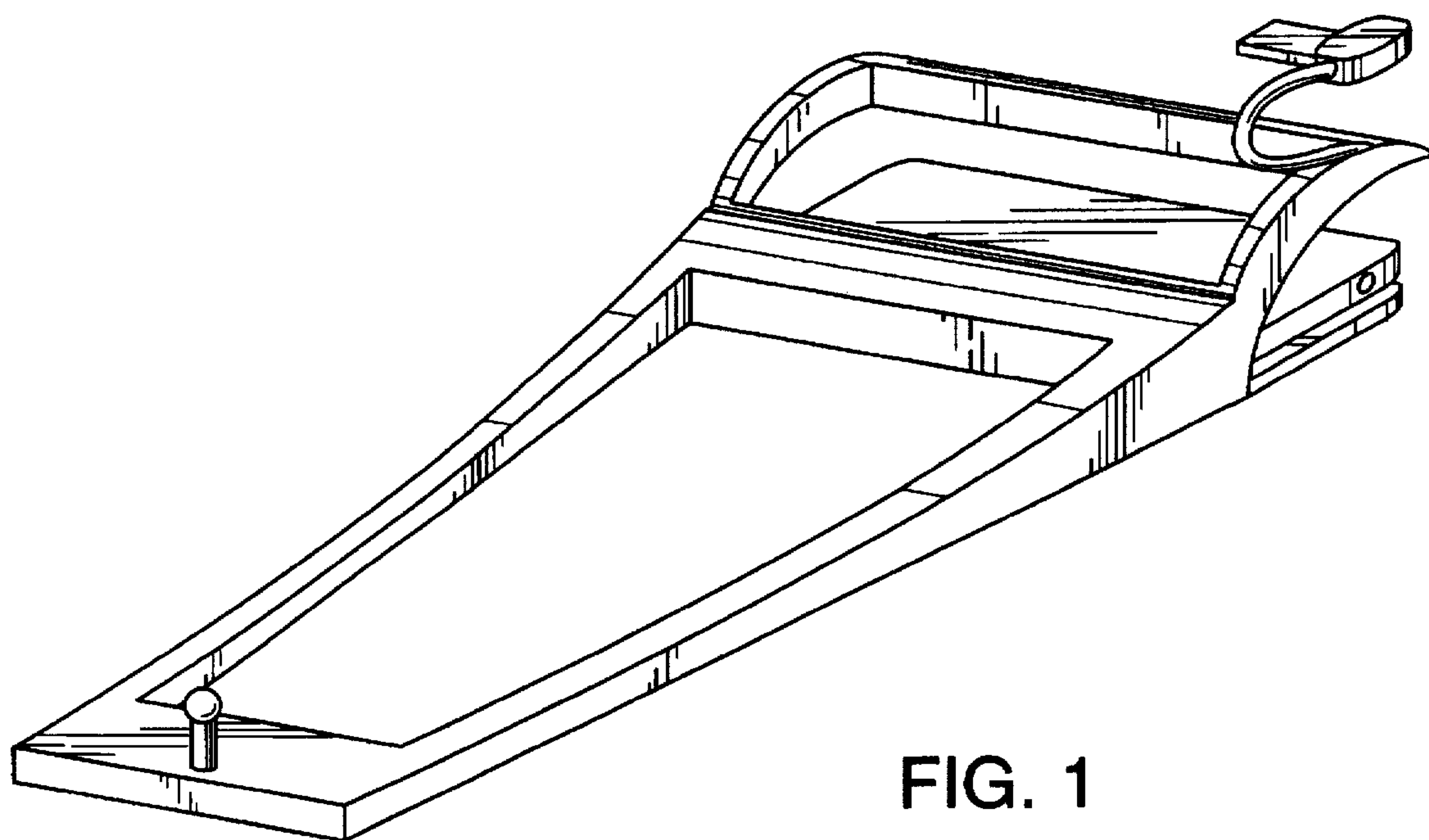


FIG. 1

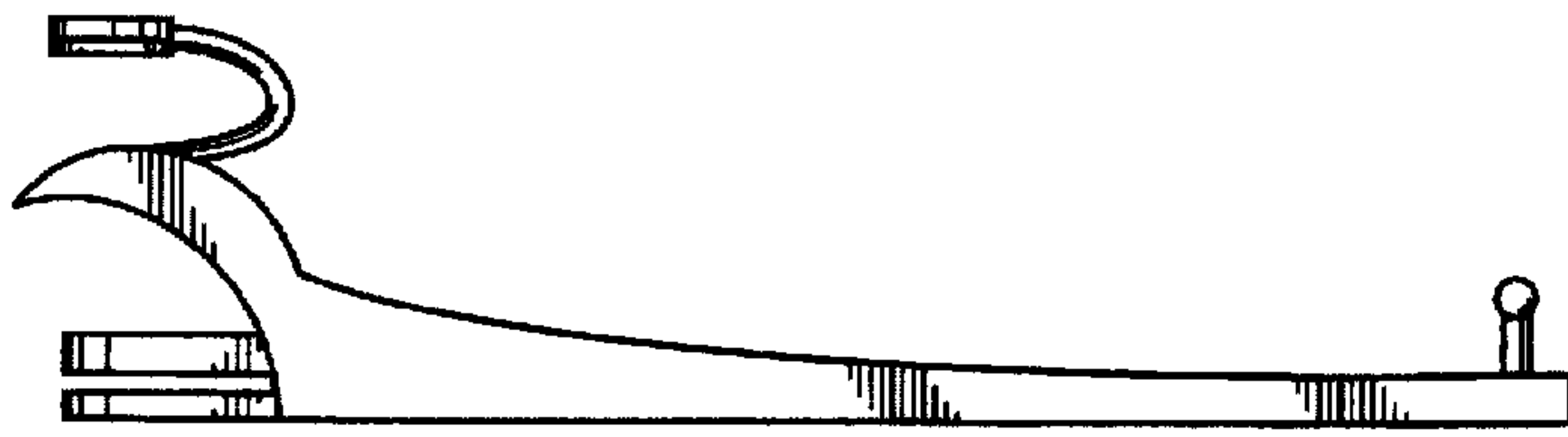


FIG. 2

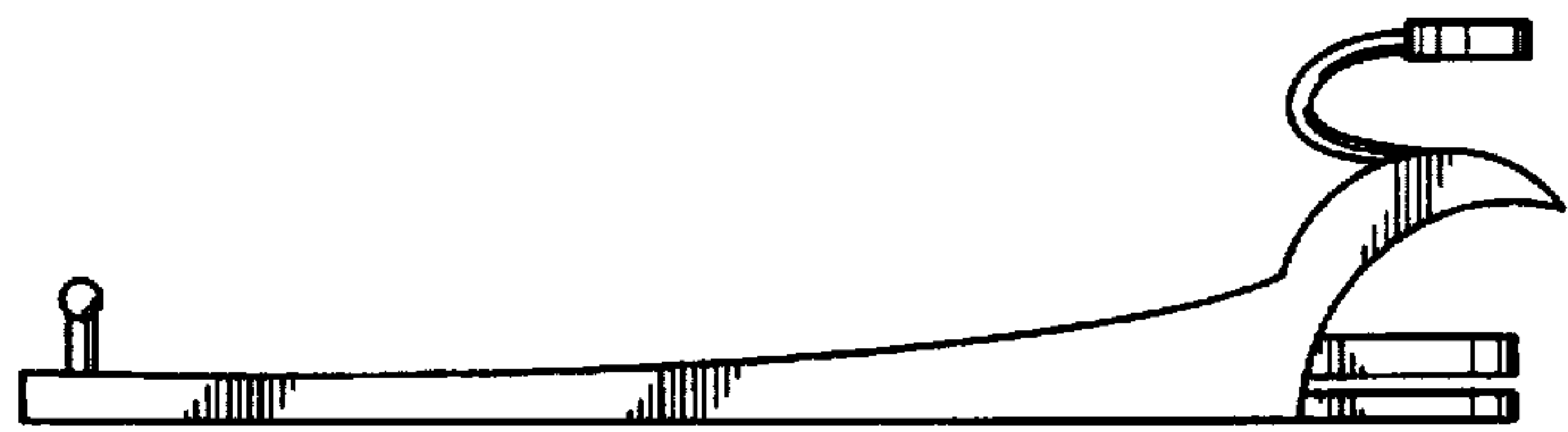


FIG. 3

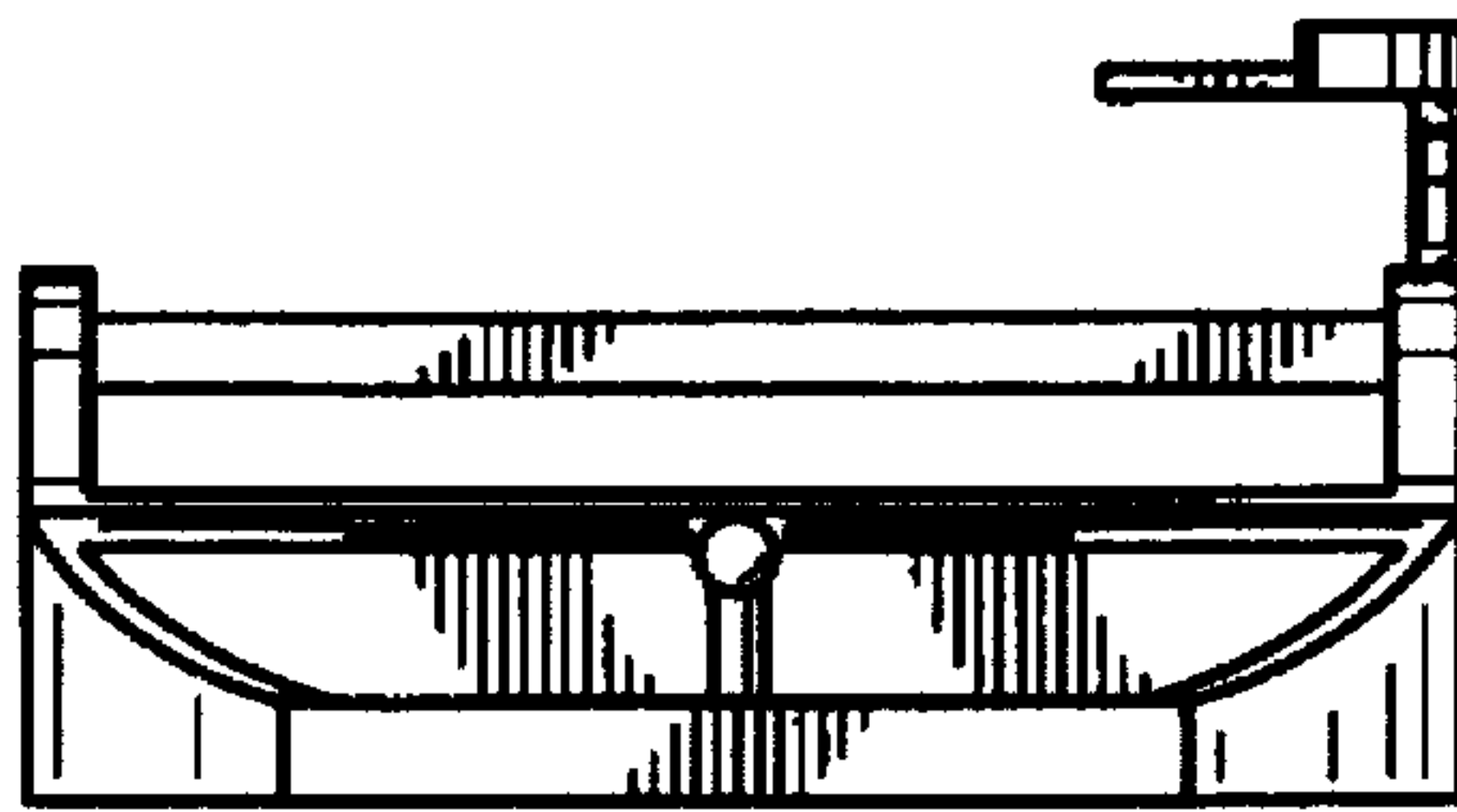
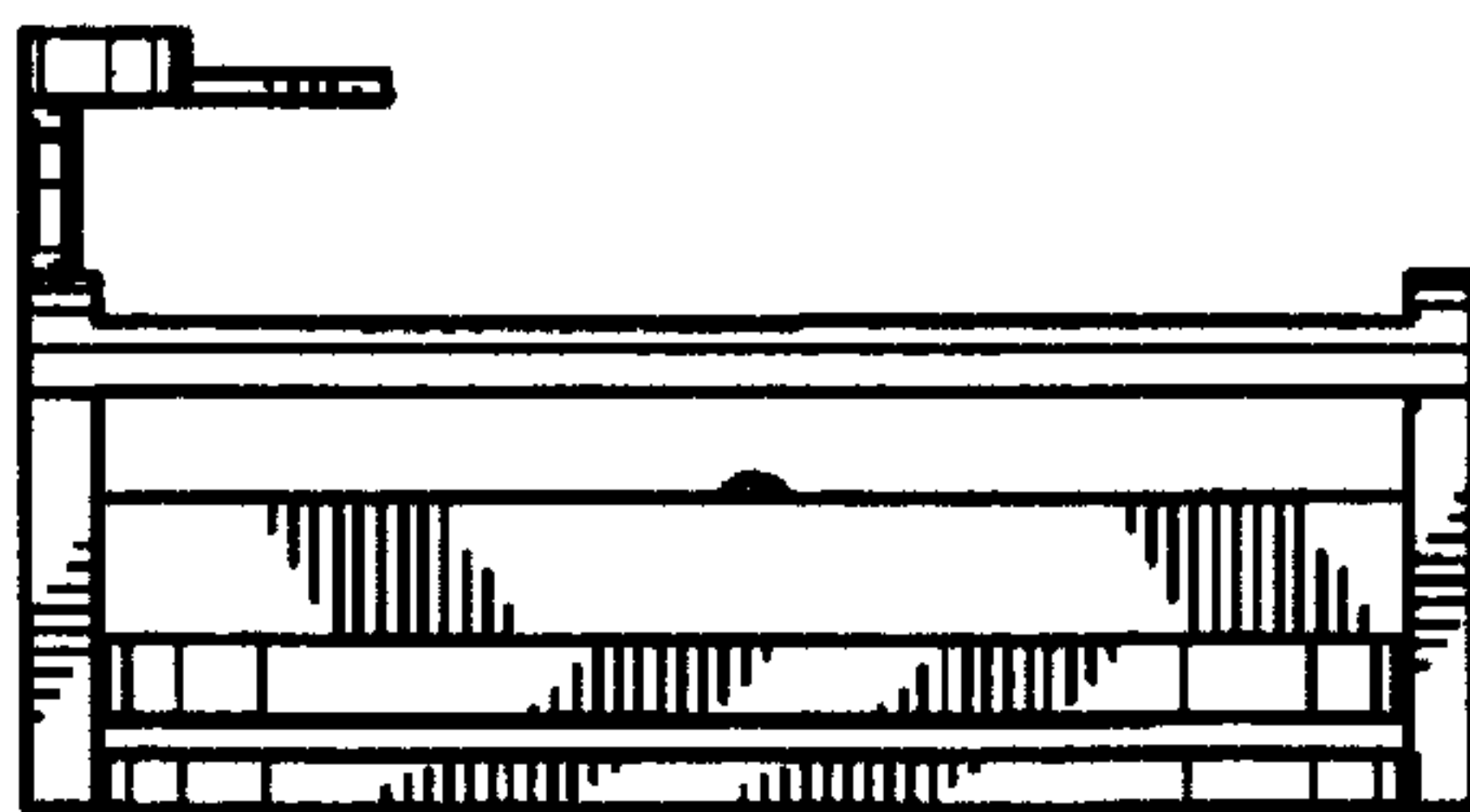


FIG. 4

FIG. 5



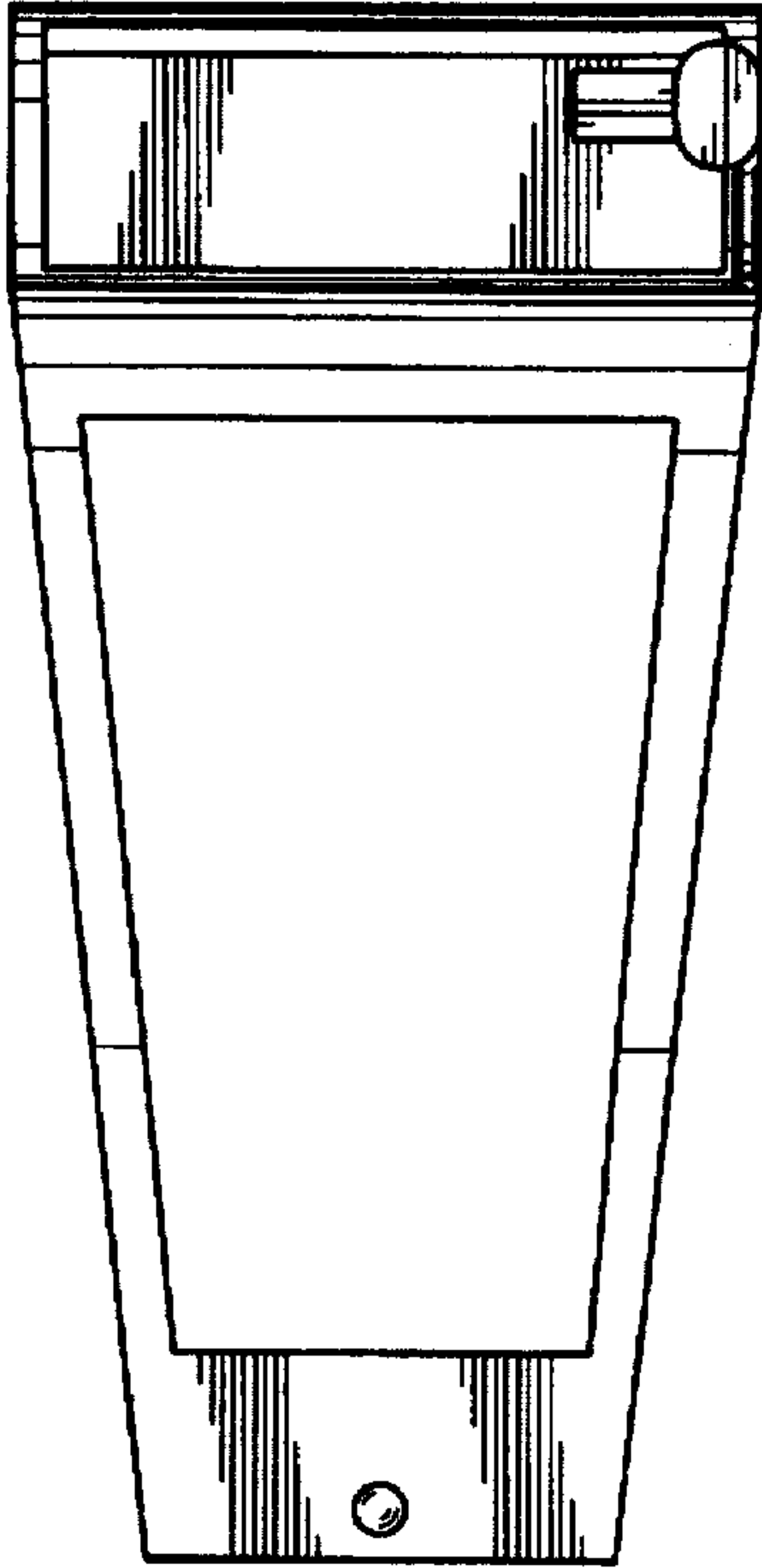


FIG. 6

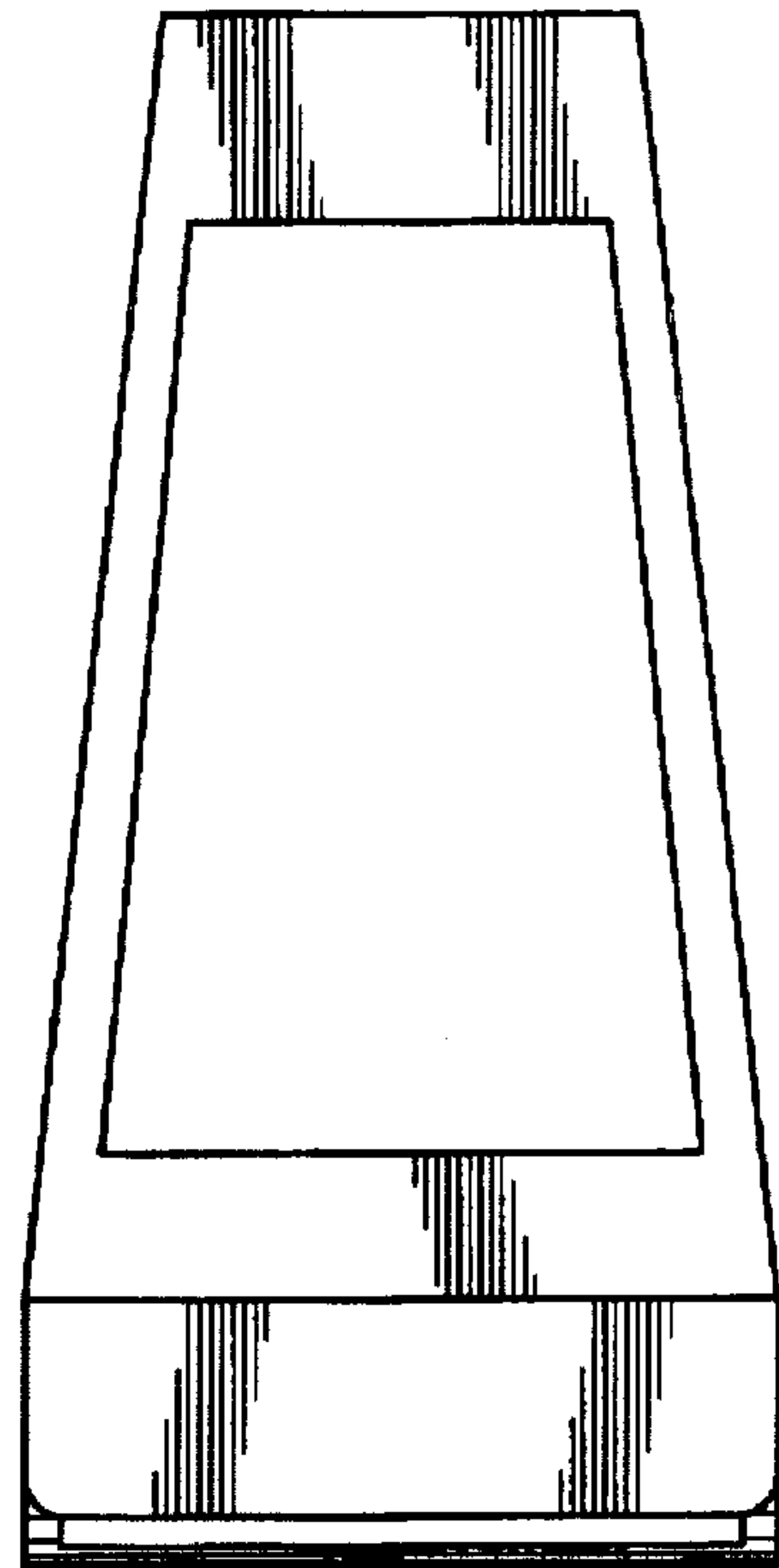


FIG. 7