



US00D387019S

United States Patent [19]
Yang

[11] **Patent Number:** **Des. 387,019**

[45] **Date of Patent:** ****Dec. 2, 1997**

[54] **STROLLER FRAME**

5,454,584 10/1995 Haut et al. 280/650

[76] **Inventor:** **Chung-Ya Yang**, 58, Ma Yuan West St.,
Taichung, Taiwan

Primary Examiner—Kay H. Chin
Attorney, Agent, or Firm—Peterson, Wicks, Nemer &
Kamrath, P.A.

[**] **Term:** **14 Years**

[57] **CLAIM**

[21] **Appl. No.:** **42,909**

The ornamental design for a stroller frame, as shown and described.

[22] **Filed:** **Aug. 21, 1995**

[51] **LOC (6) Cl.** **12-12**

[52] **U.S. Cl.** **D12/129**

[58] **Field of Search** **D12/128, 129,**
D12/133; 280/650, 648, 647, 643, 642,
644, 30

DESCRIPTION

FIG. 1 is a perspective view of a stroller frame showing my new design;

FIG. 2 is a front elevational view thereof;

FIG. 3 is a rear elevational view thereof;

FIG. 4 is a left side elevational view thereof;

FIG. 5 is a right side elevational view thereof;

FIG. 6 is a top plan view thereof; and,

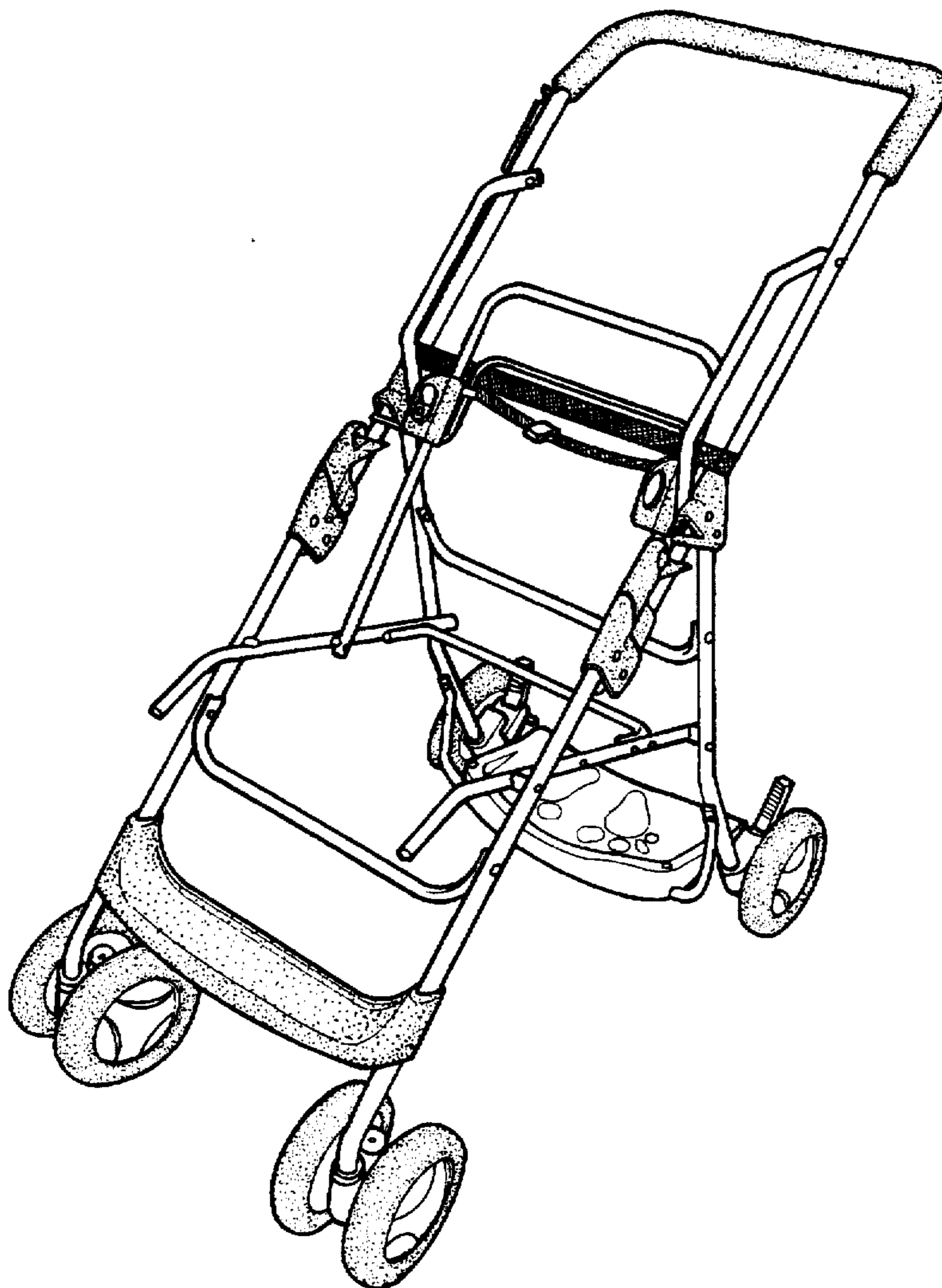
FIG. 7 is a bottom plan view thereof.

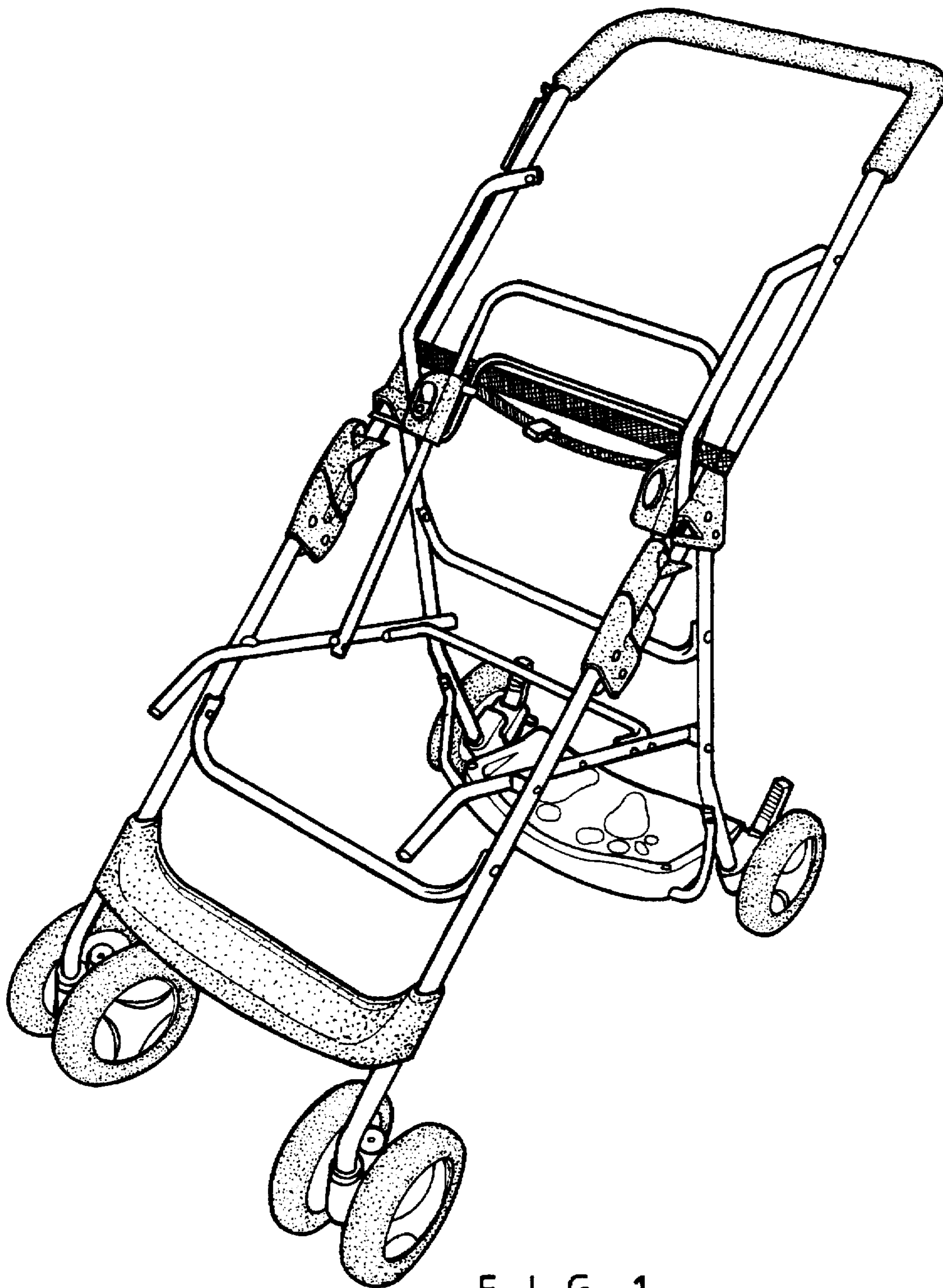
[56] **References Cited**

U.S. PATENT DOCUMENTS

- D. 362,832 10/1995 Haut et al. D12/129
- D. 363,260 10/1995 Huang D12/129
- D. 375,707 11/1996 Yang D12/129

1 Claim, 4 Drawing Sheets





F I G. 1

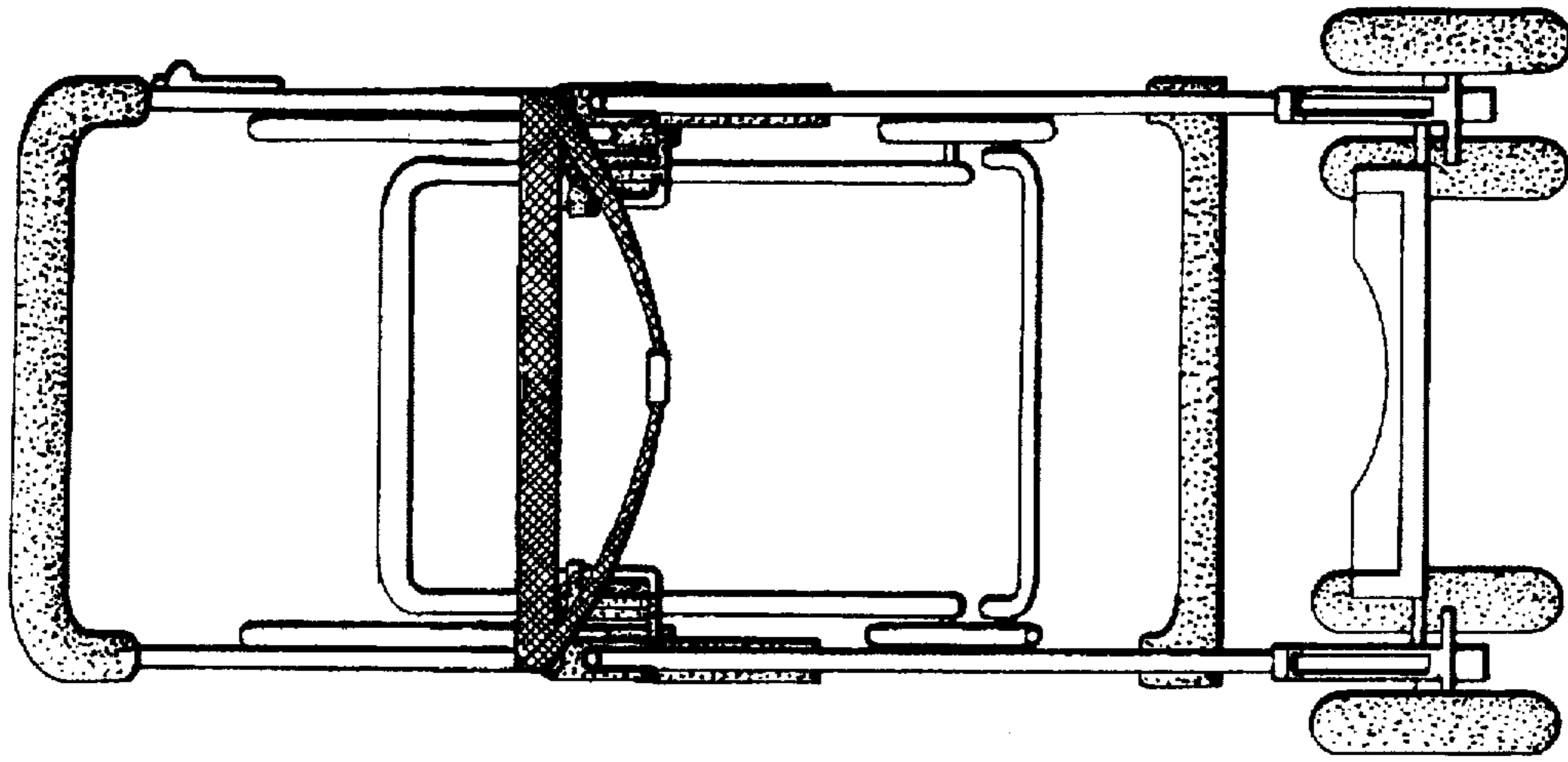


FIG. 3

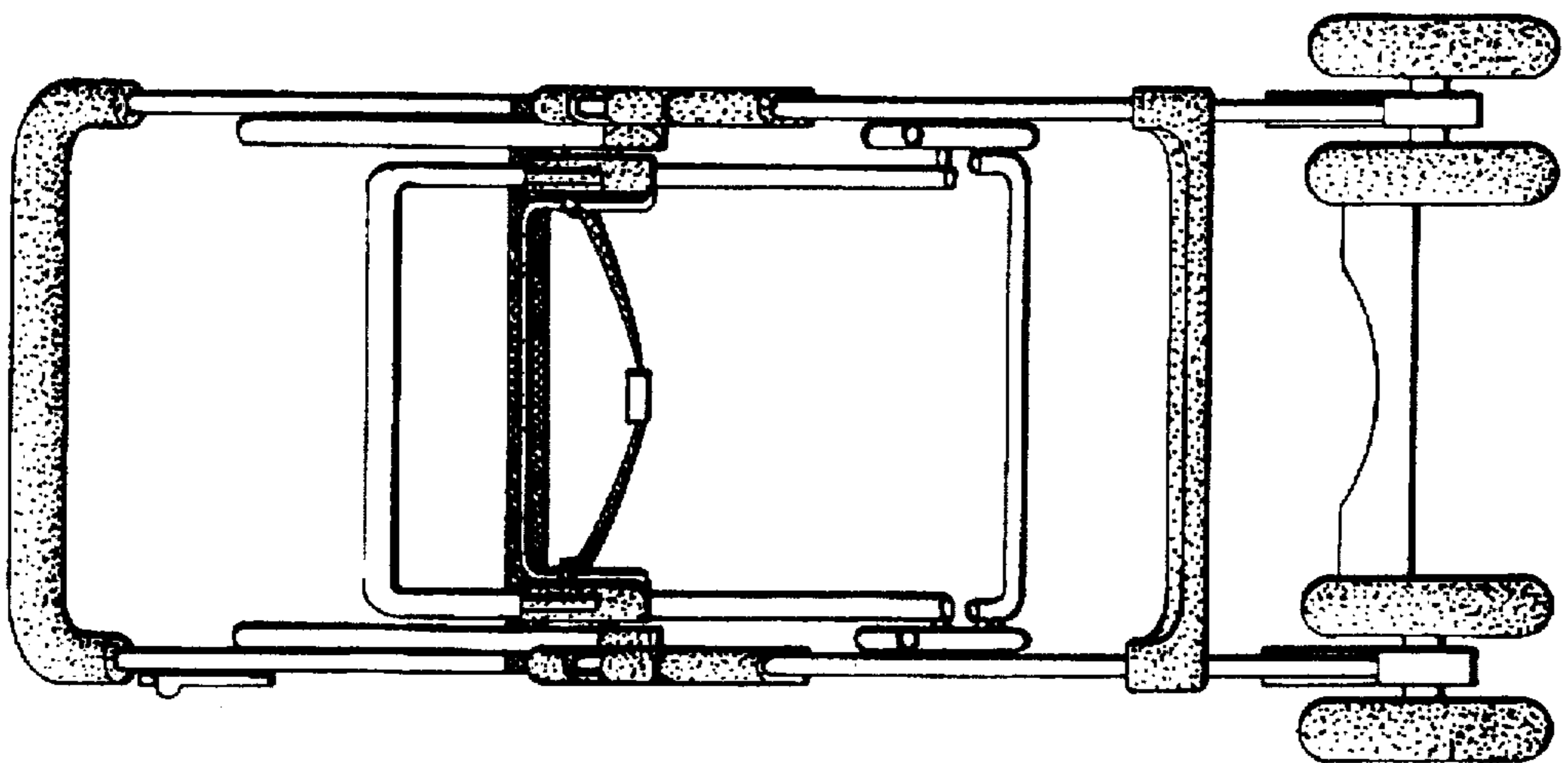


FIG. 2

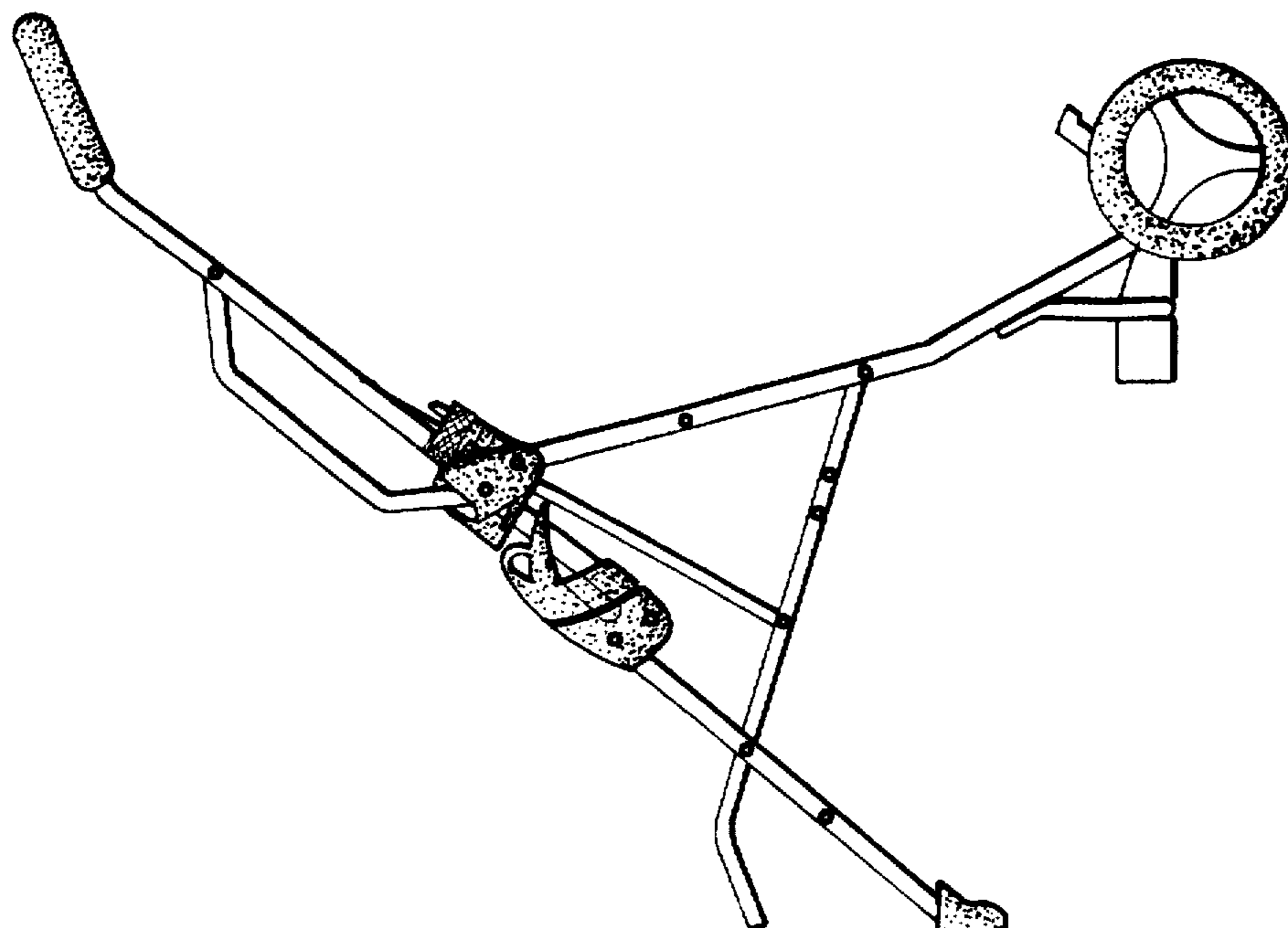


FIG. 5

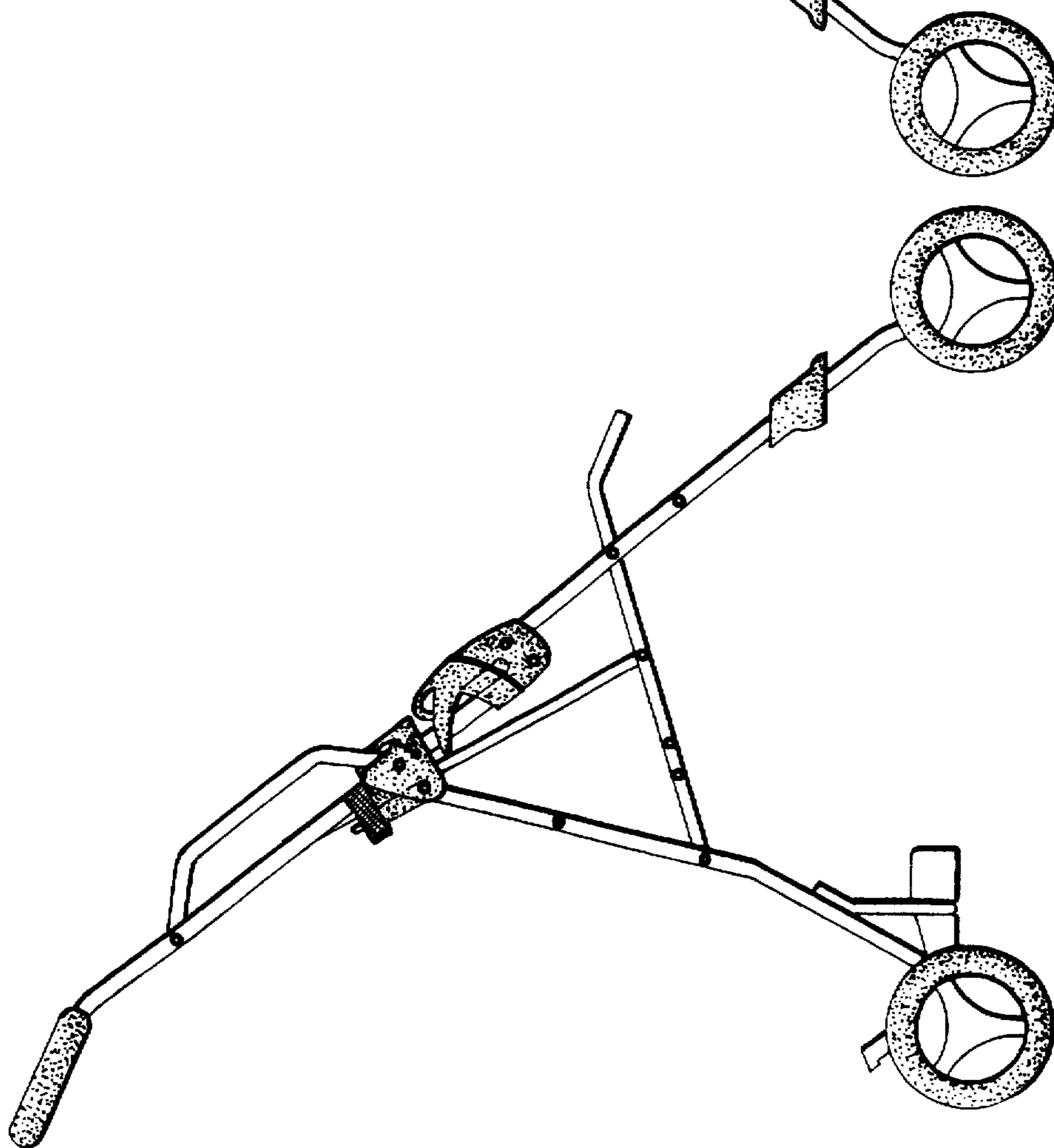


FIG. 4

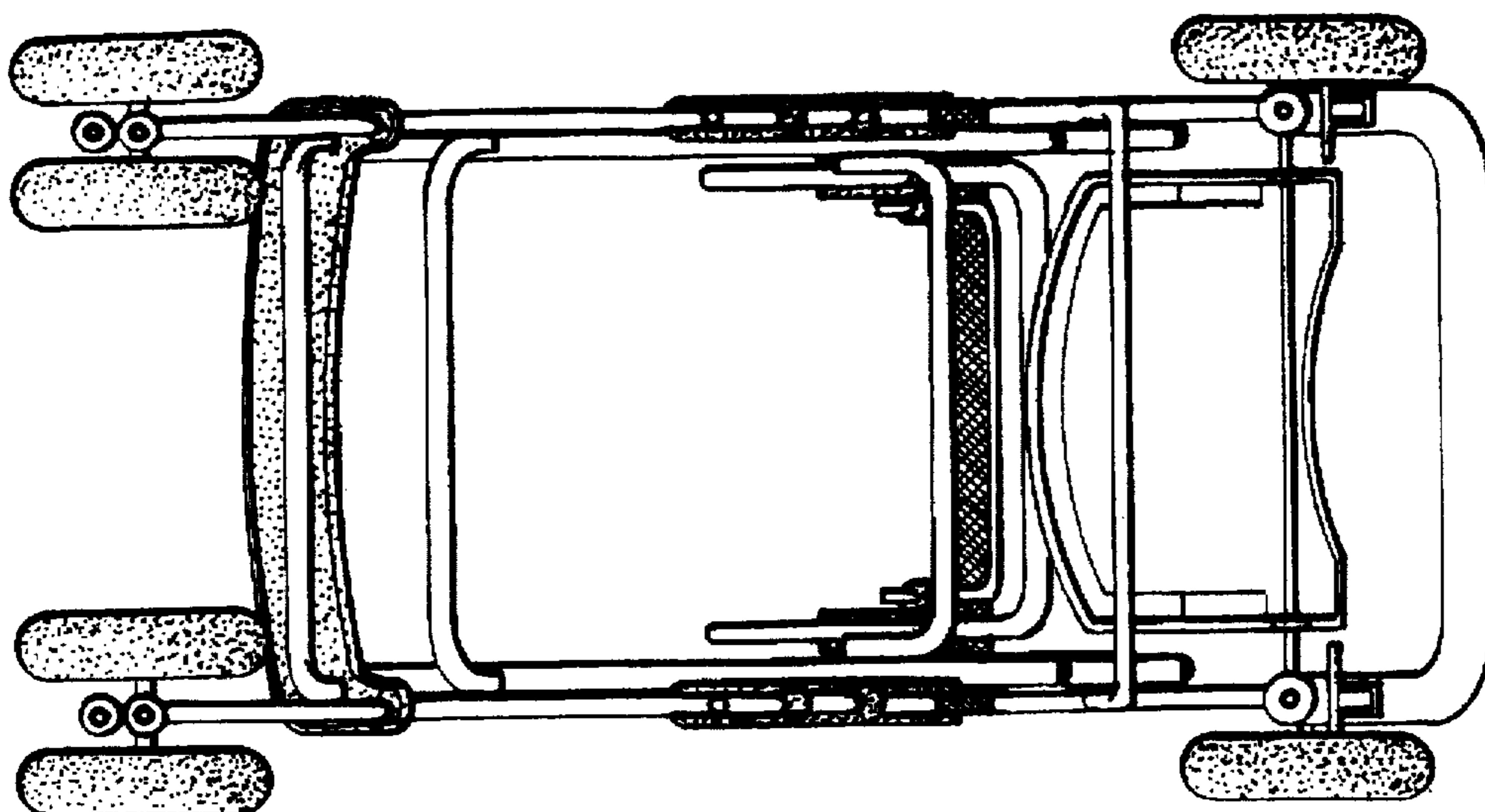


FIG. 7

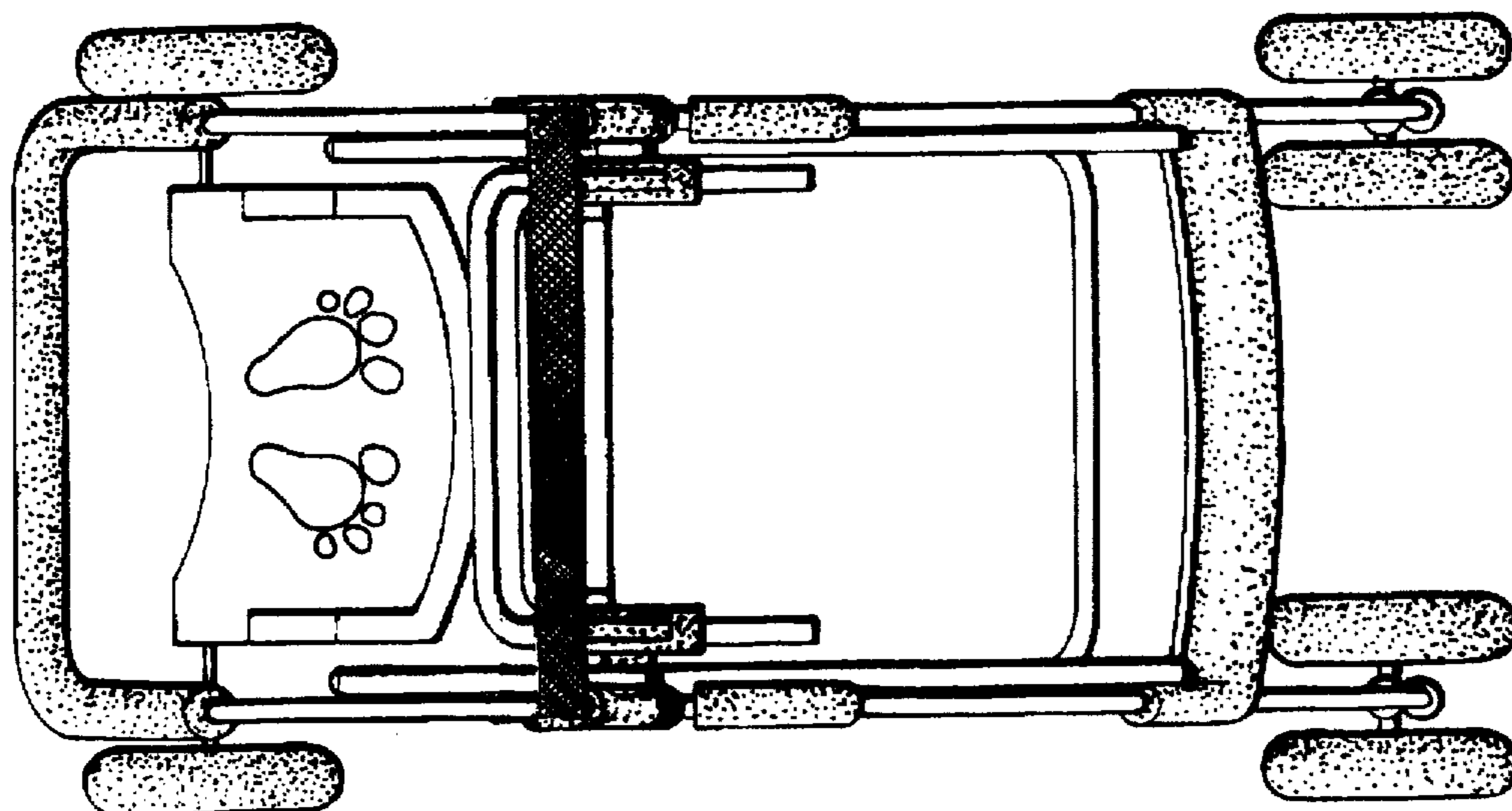


FIG. 6