



US00D387016S

**United States Patent** [19]  
**Nielsen, III**

[11] **Patent Number:** **Des. 387,016**  
[45] **Date of Patent:** **\*\*Dec. 2, 1997**

[54] **BOAT TRAILER FENDER**

[75] **Inventor:** **Chester I. Nielsen, III**, West Bend, Wis.

[73] **Assignee:** **Wesbar Corporation**, West Bend, Wis.

[\*\*] **Term:** **14 Years**

[21] **Appl. No.:** **64,306**

[22] **Filed:** **Dec. 27, 1996**

[51] **LOC (6) Cl.** ..... **12-10**

[52] **U.S. Cl.** ..... **D12/106; D12/181**

[58] **Field of Search** ..... **D12/106, 101; 280/160, 847, 414.1-414.3**

[56] **References Cited**

**U.S. PATENT DOCUMENTS**

D. 308,953 7/1990 Godbersen ..... D12/106

D. 314,735 2/1991 Godbersen ..... D12/106  
D. 369,328 4/1996 Acosto ..... D12/101  
5,417,447 5/1995 Godbersen ..... 280/414.1

*Primary Examiner*—Melody N. Brown  
*Attorney, Agent, or Firm*—Andrus, Scales, Starke & Sawall

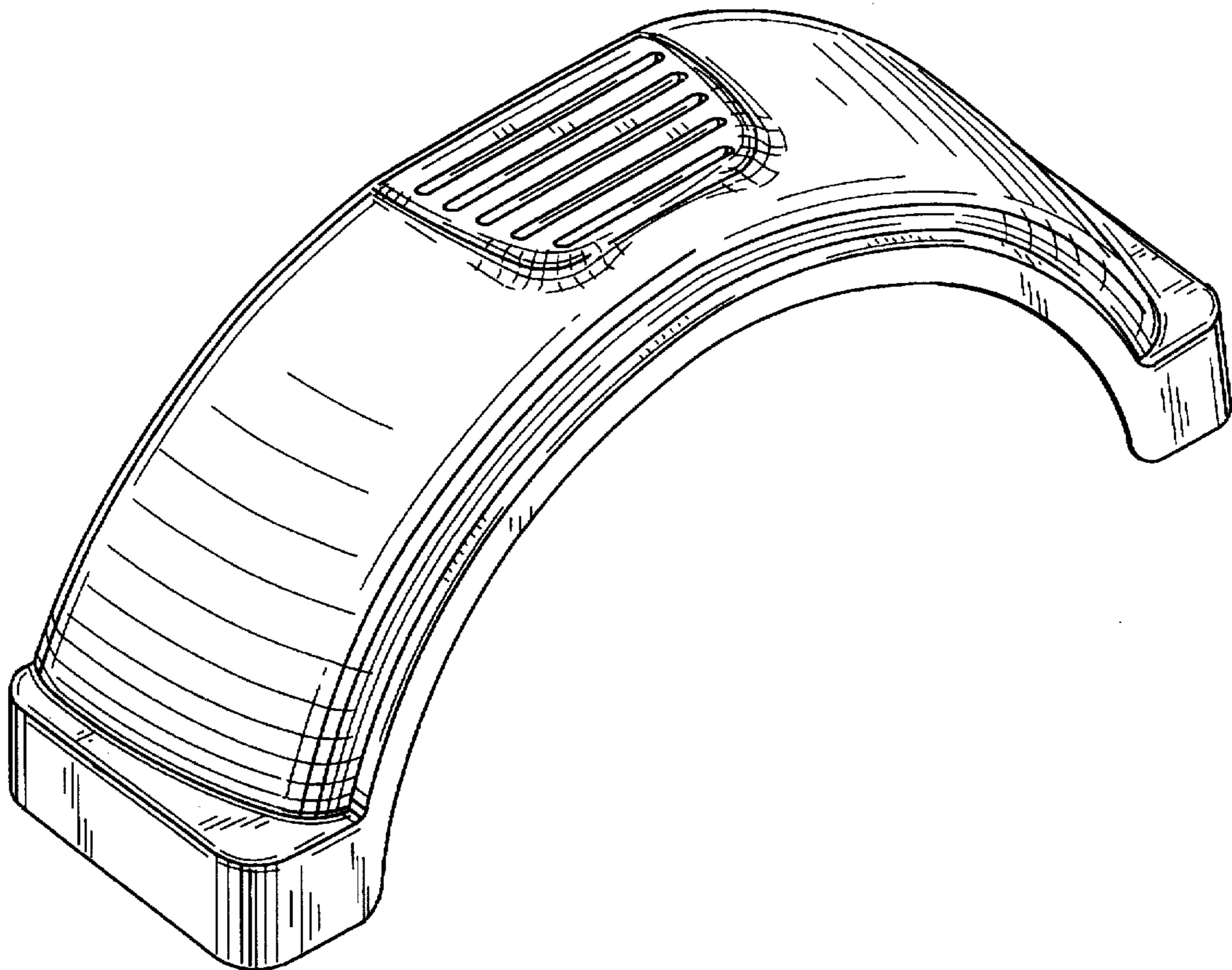
[57] **CLAIM**

The ornamental design for a boat trailer fender, as shown and described.

**DESCRIPTION**

FIG. 1 is a perspective view of the boat trailer fender; FIG. 2 is a top plan view of the boat trailer fender; FIG. 3 is a front view of the boat trailer fender; FIG. 4 is a rear view of the boat trailer fender; and, FIG. 5 is a left side elevation of the boat trailer fender, the right side elevation being the same.

**1 Claim, 3 Drawing Sheets**



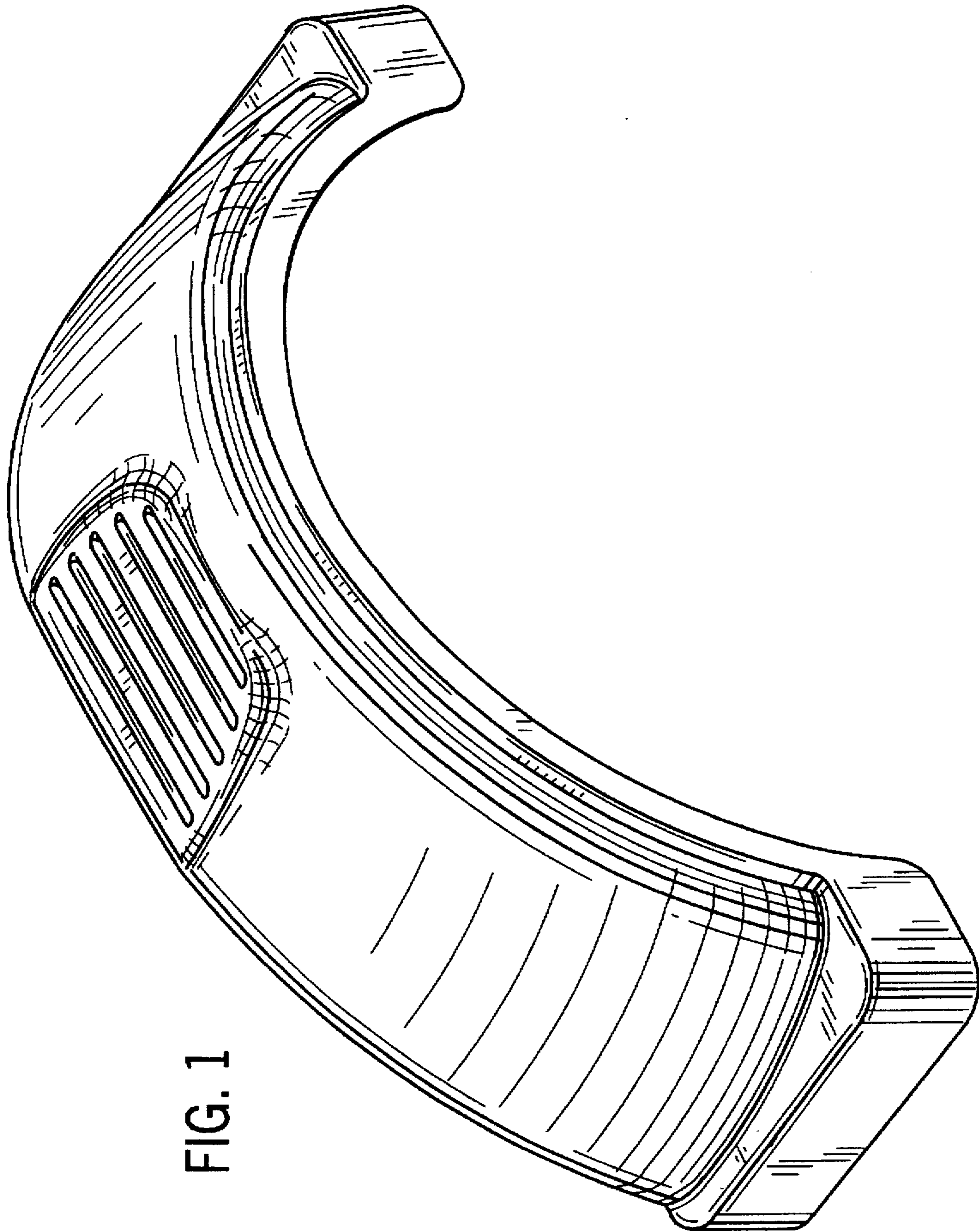


FIG. 1

FIG. 2

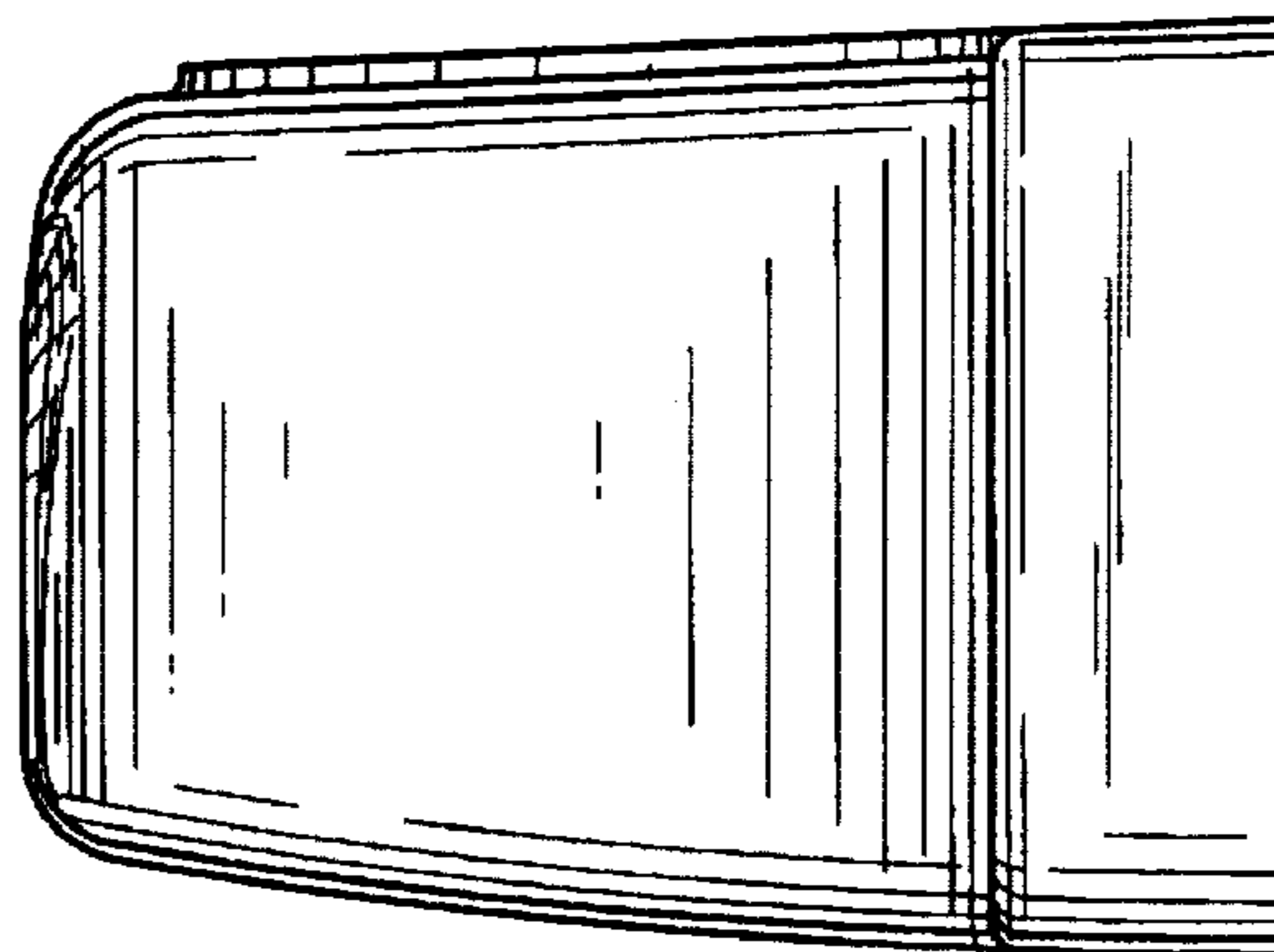
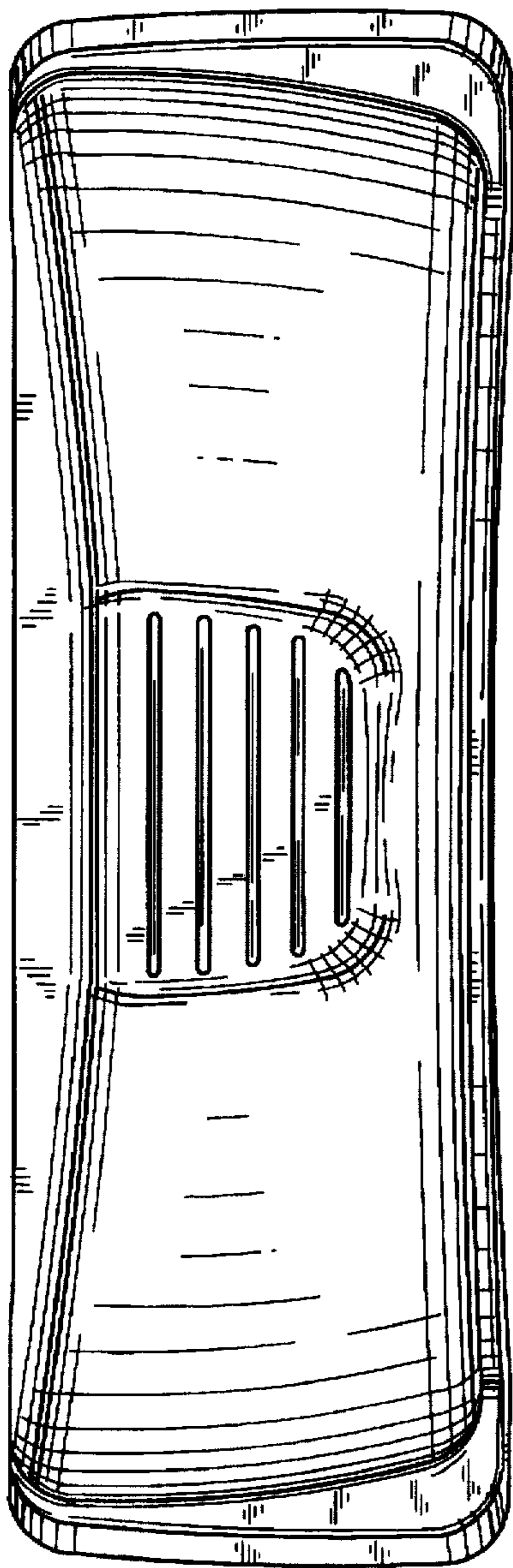


FIG. 5

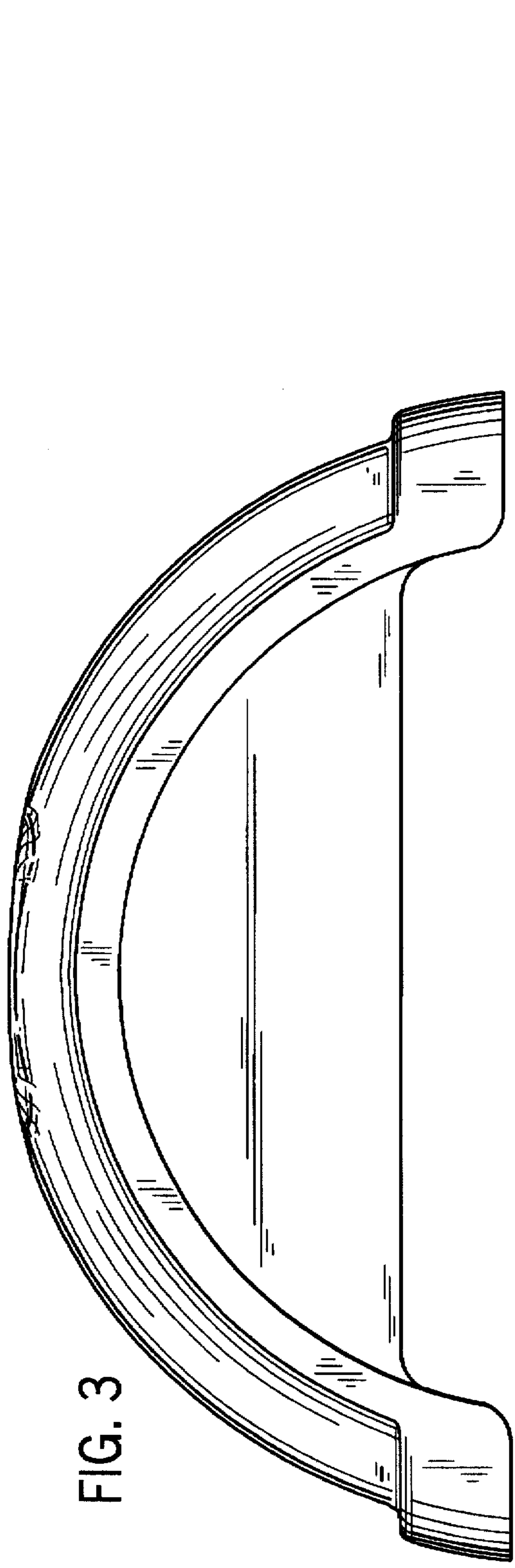


FIG. 3

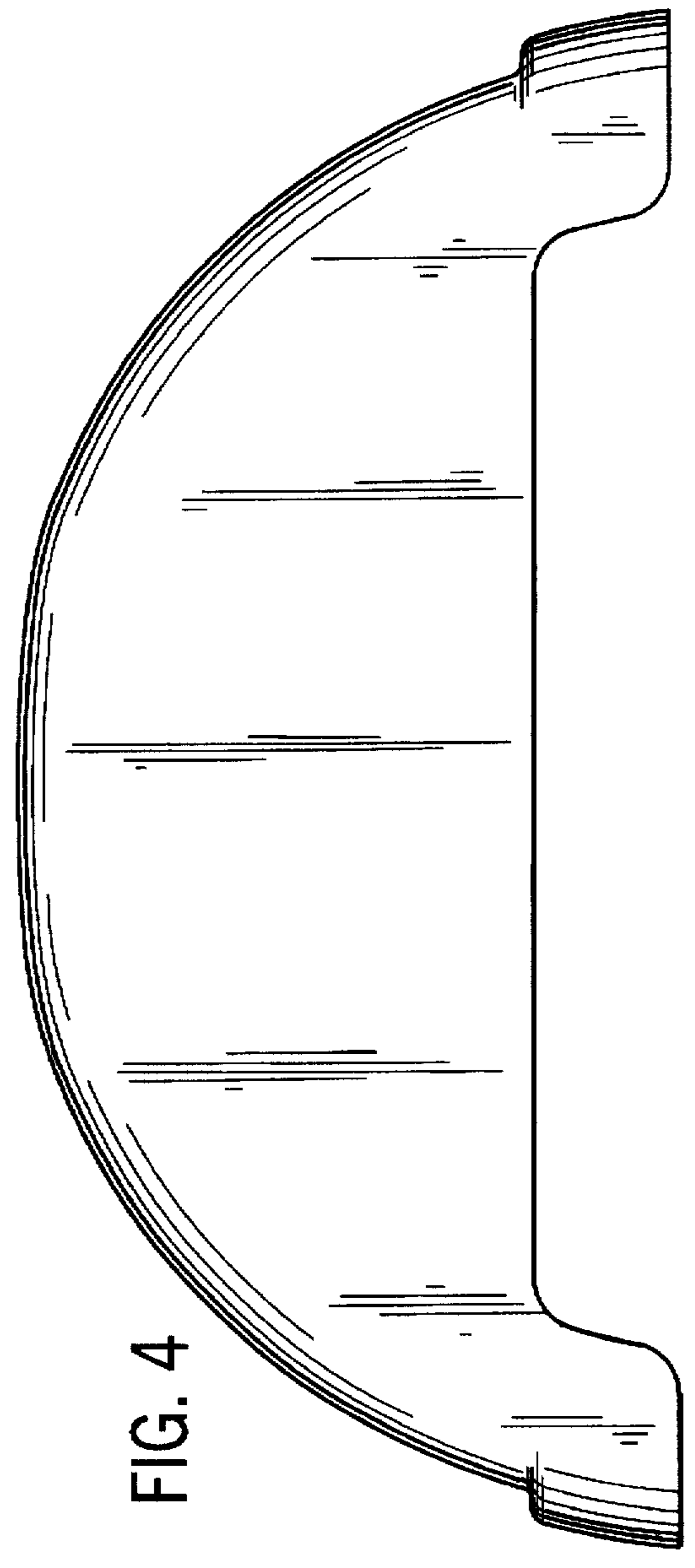


FIG. 4