



US00D387015S

United States Patent [19]
Scholey

[11] **Patent Number: Des. 387,015**
[45] **Date of Patent: **Dec. 2, 1997**

[54] **BUCKLE**
[75] **Inventor: Michael F. Scholey, Pacoima, Calif.**
[73] **Assignee: Moldex-Metric, Inc., Culver City, Calif.**
[**] **Term: 14 Years**

D. 325,546 4/1992 Collier D11/200
D. 362,741 10/1995 Hollinger D11/200
1,638,073 8/1927 Van Heusen D11/200
4,425,689 1/1984 Fildan 24/616

Primary Examiner—Ralf Seifert
Attorney, Agent, or Firm—Charles H. Schwartz

[21] **Appl. No.: 60,159**
[22] **Filed: Sep. 17, 1996**

[57] **CLAIM**
The ornamental design for a buckle, as shown and described.

[51] **LOC (6) Cl. 02-07**
[52] **U.S. Cl. D11/220; D11/200**
[58] **Field of Search D11/200, 201, D11/215, 218, 231, 234, 216, 220, 222, 226; 24/196, 616, 625, 650, 164 R, 165**

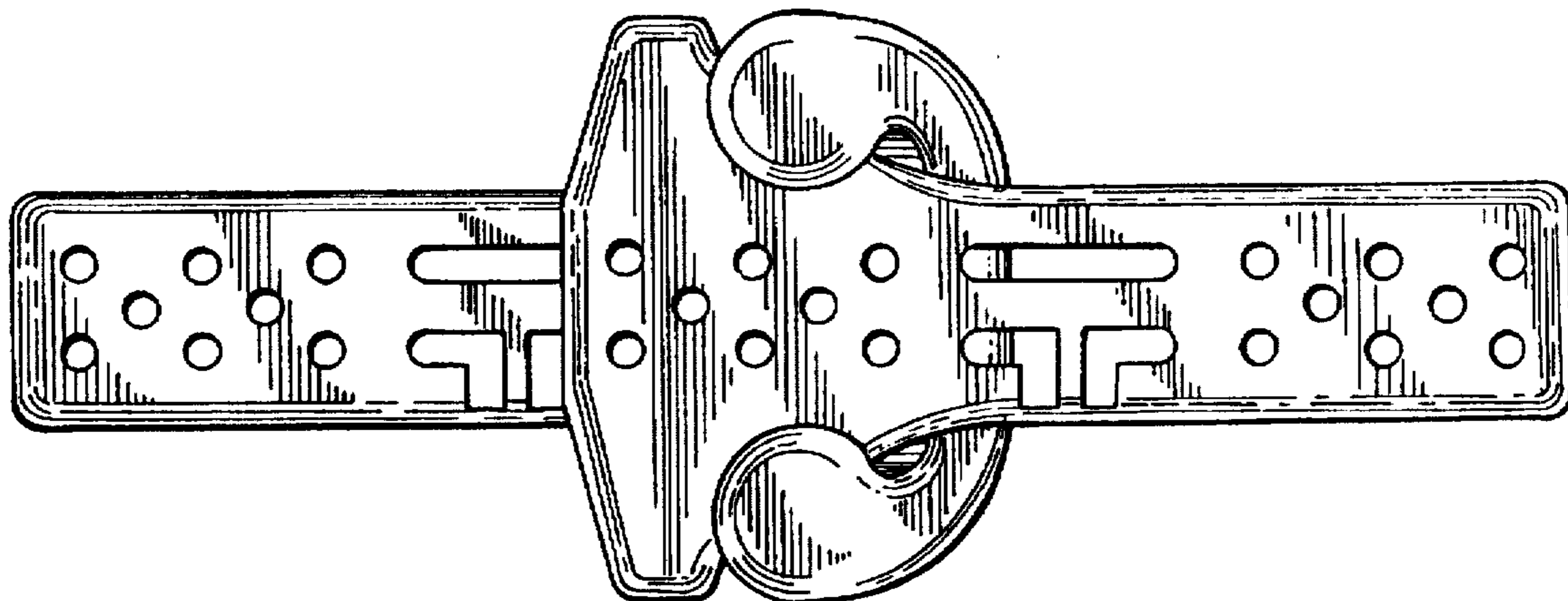
DESCRIPTION

FIG. 1 is a top plan view of a buckle showing my new design;
FIG. 2 is a side elevational view thereof, the opposite side being a mirror image;
FIG. 3 is a bottom plan view thereof;
FIG. 4 is a left edge view thereof;
FIG. 5 is a right edge view thereof; and,
FIG. 6 is a perspective view of the two component parts of the buckle shown separated.

[56] **References Cited**
U.S. PATENT DOCUMENTS

D. 199,182 9/1964 Burch D11/220
D. 206,224 11/1966 Morris D11/220

1 Claim, 2 Drawing Sheets



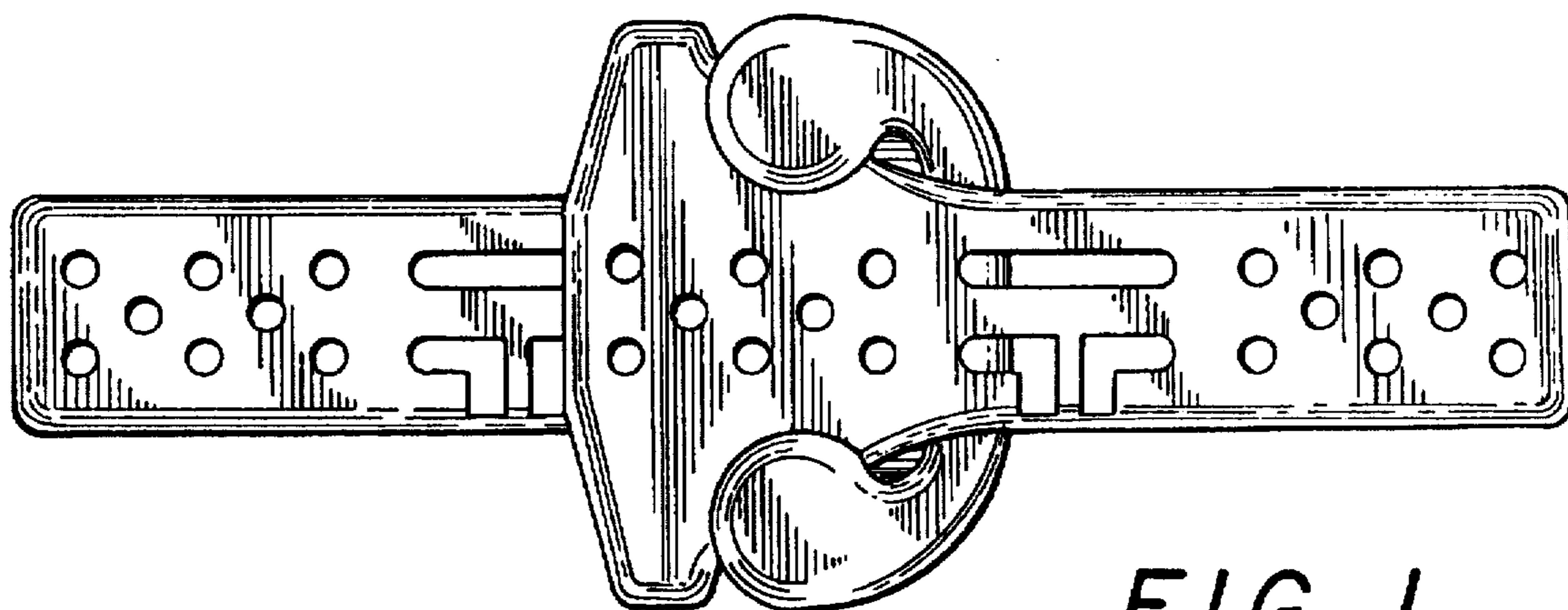


FIG. 1

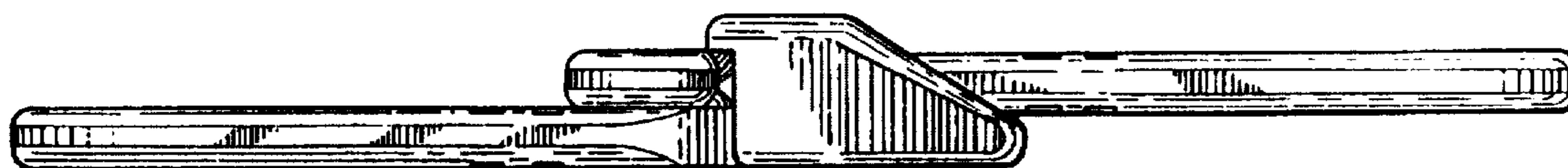


FIG. 2

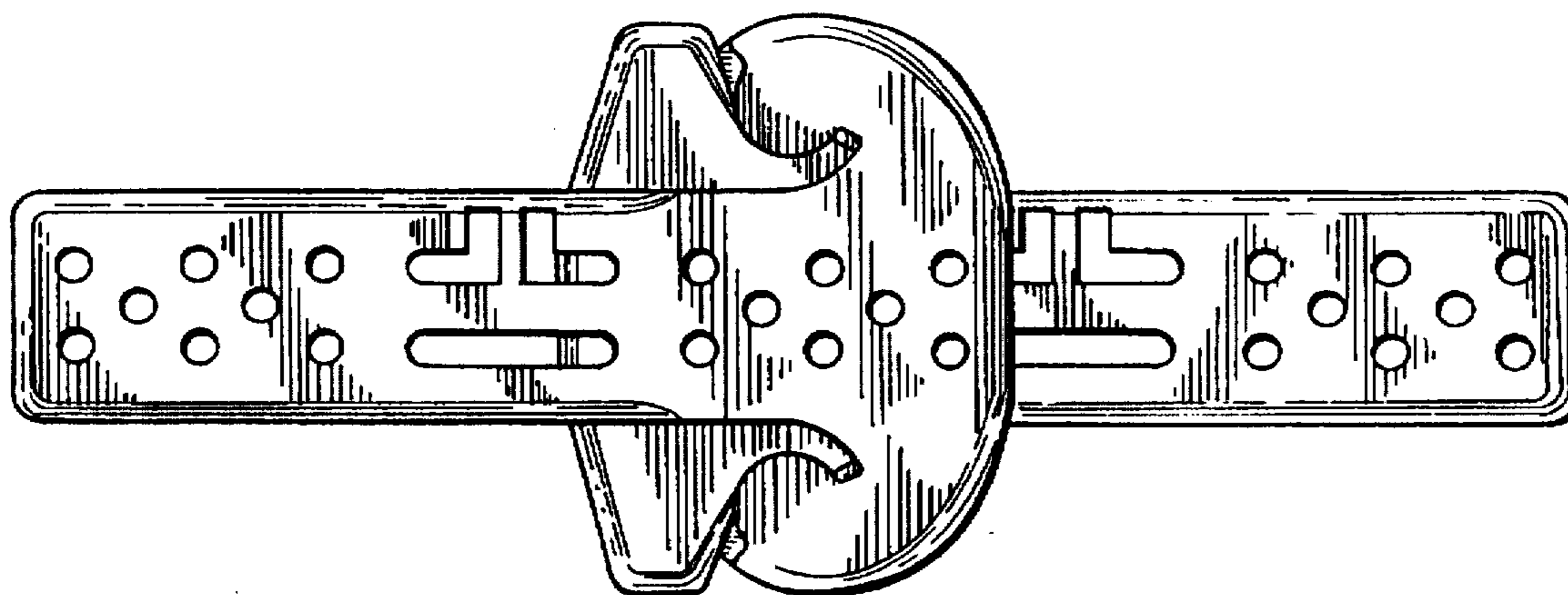


FIG. 3



FIG. 4

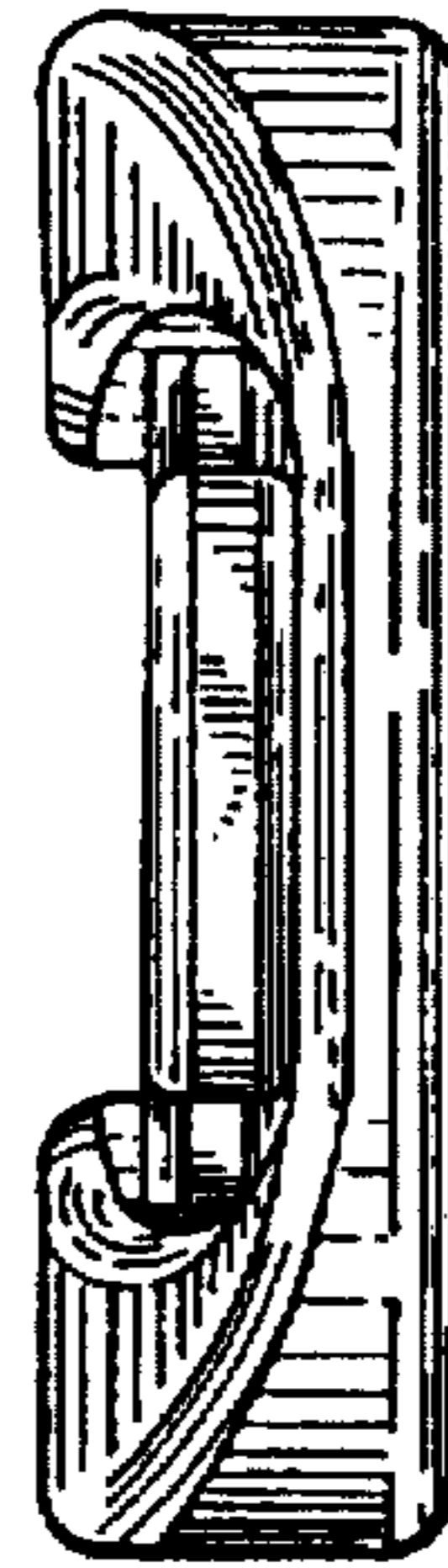


FIG. 5

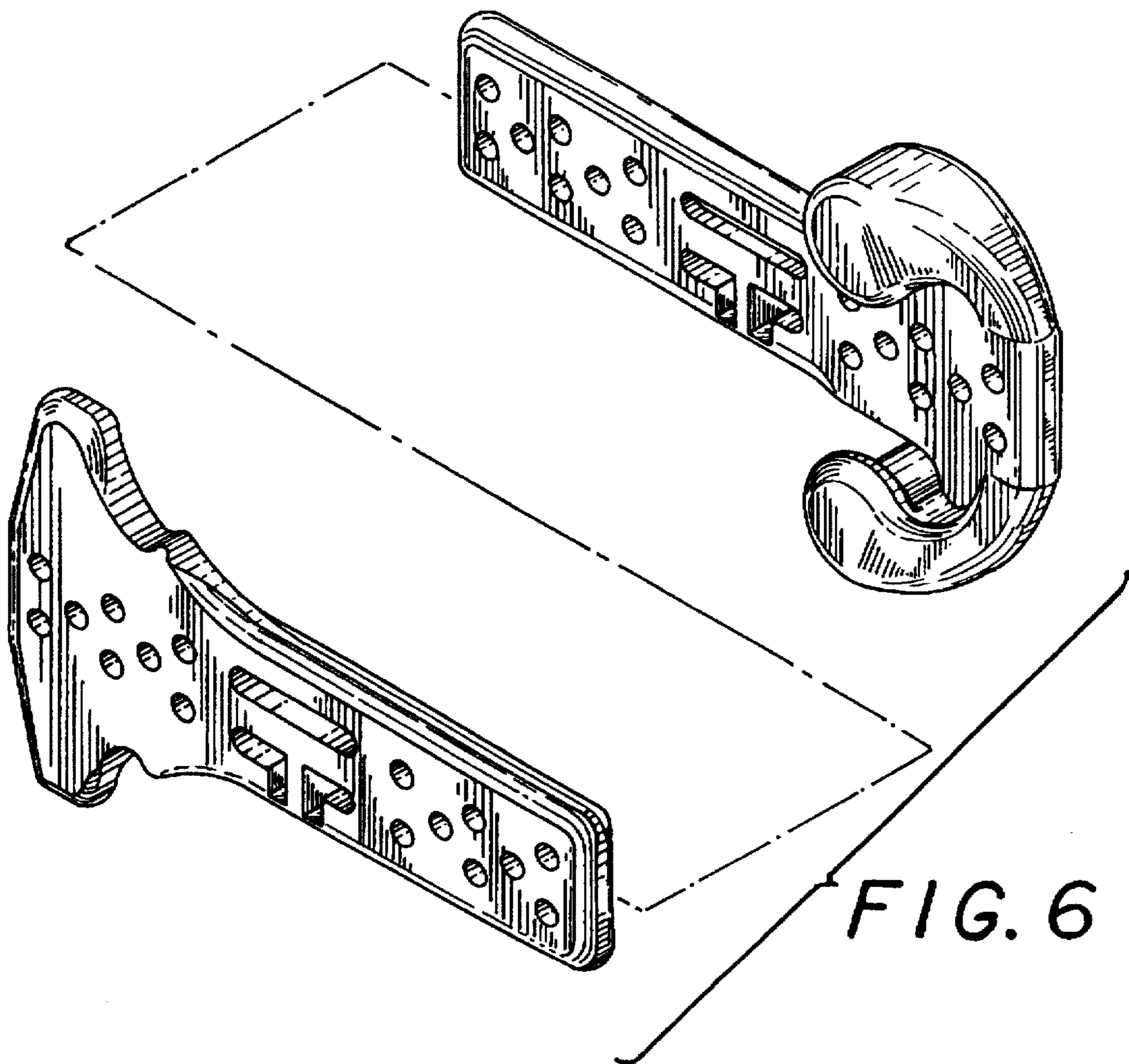


FIG. 6