

US00D387014S

United States Patent [19]
Matoba

[11] **Patent Number: Des. 387,014**
[45] **Date of Patent: **Dec. 2, 1997**

[54] **BUCKLE**

[75] **Inventor: Hiroshi Matoba, Toyama, Japan**

[73] **Assignee: YKK Corporation, Japan**

[**] **Term: 14 Years**

[21] **Appl. No.: 56,885**

[22] **Filed: Jul. 11, 1996**

[30] **Foreign Application Priority Data**

Jan. 12, 1996 [JP] Japan 8-547

[51] **LOC (6) Cl. 02-07**

[52] **U.S. Cl. D11/218; D11/200**

[58] **Field of Search D11/200, 201,
D11/231, 234, 215, 216, 218; 24/625, 616,
650, 196**

[56] **References Cited**

U.S. PATENT DOCUMENTS

D. 340,886 11/1993 Anscher D11/218
D. 360,390 7/1995 Murai D11/200
5,148,582 9/1992 Dennis, Jr. 24/625

Primary Examiner—Ralf Seifert

Attorney, Agent, or Firm—Hill, Steadman & Simpson

[57] **CLAIM**

The ornamental design for “buckle”, as shown.

DESCRIPTION

FIG. 1 is a front view of a buckle;

FIG. 2 is a rear view of the buckle of FIG. 1;
FIG. 3 is a plan view of the buckle of FIG. 1;
FIG. 4 is a base view of the buckle of FIG. 1;
FIG. 5 is a right side view of the buckle of FIG. 1;
FIG. 6 is a cross-sectional view taken on line A—A of FIG. 5;
FIG. 7 is a front view of a male member of the buckle of FIG. 1;
FIG. 8 is a plan view of the male member of FIG. 7;
FIG. 9 is a base view of the male member of FIG. 7;
FIG. 10 is a right side view of the male member of FIG. 7;
FIG. 11 is a cross-sectional view taken on line B—B of FIG. 7;
FIG. 12 is a cross-sectional view taken on line C—C of FIG. 7;
FIG. 13 is a front view of a female member of the buckle of FIG. 1;
FIG. 14 is a rear view of the female member of FIG. 13;
FIG. 15 is a plan view of the female member of FIG. 13;
FIG. 16 is a base view of the female member of FIG. 13;
FIG. 17 is a right side view of the female member of FIG. 13;
FIG. 18 is a cross-sectional view taken along line D—D of FIG. 17;
FIG. 19 is a front view showing the buckle attached to a belt or the like; and,
FIG. 20 is a cross-sectional view showing the buckle attached to a belt or the like.
The broken line showing of a belt, in FIGS. 19 and 20, is for illustrative purposes only and forms no part of the claimed design.

1 Claim, 11 Drawing Sheets

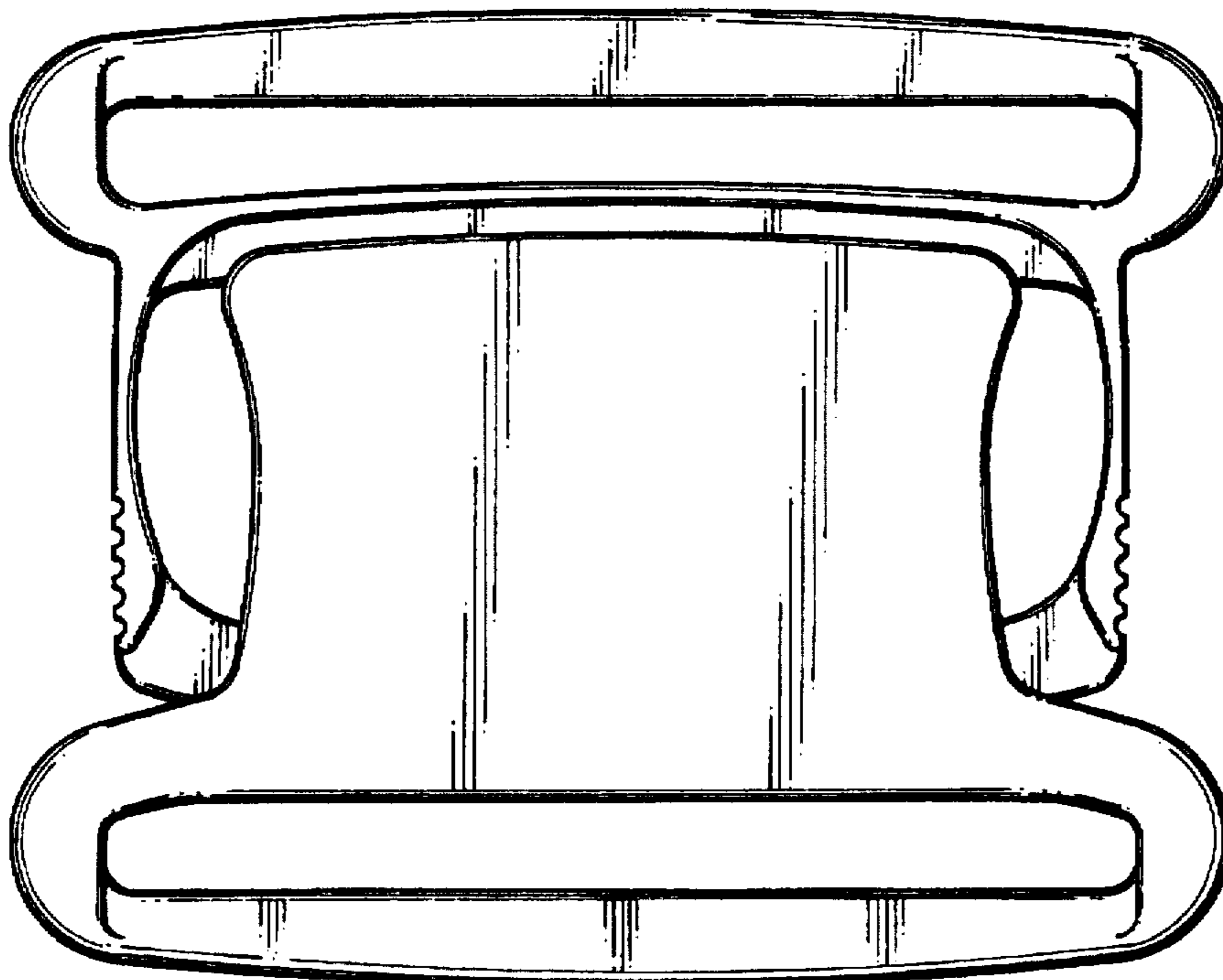


FIG. 1

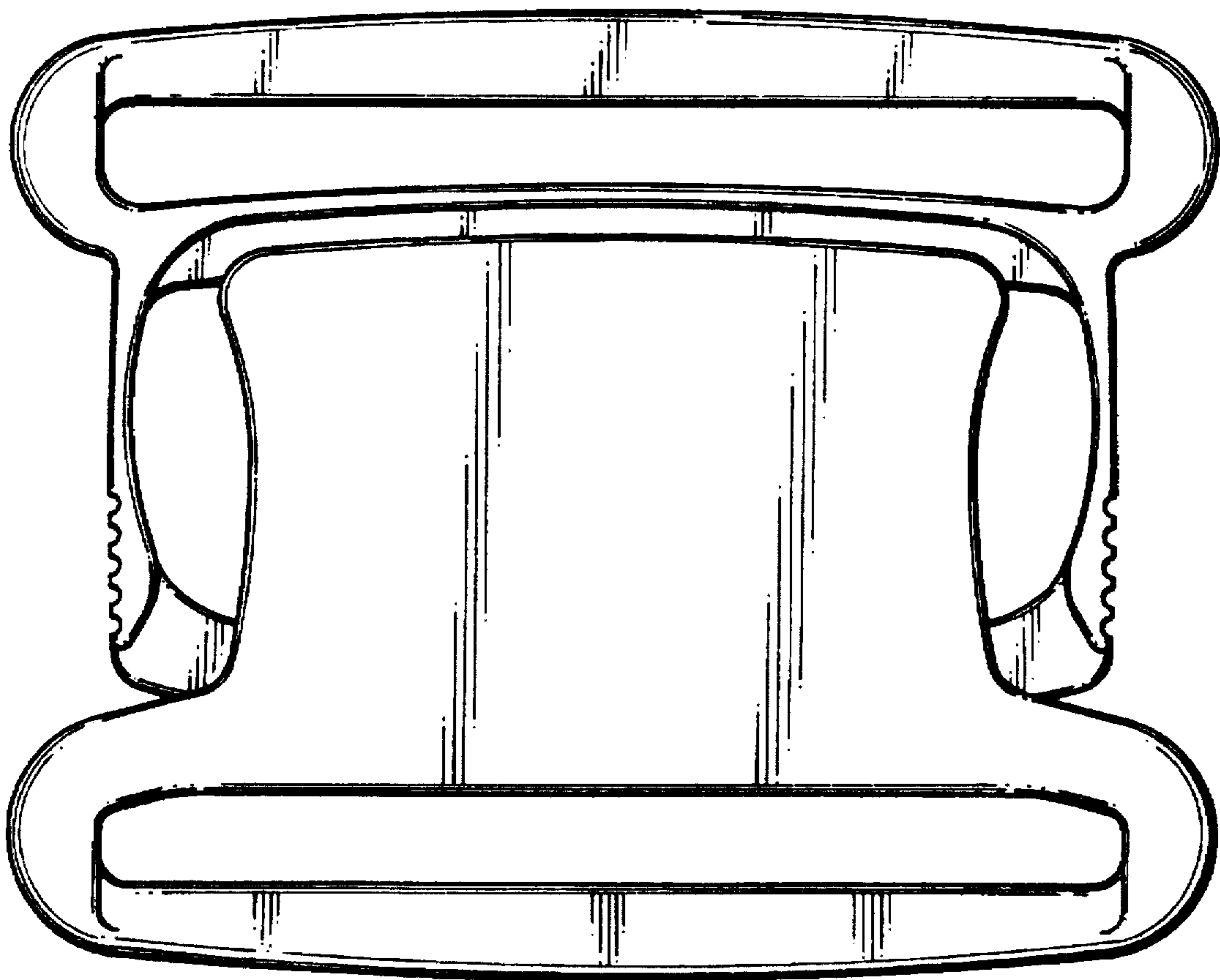


FIG. 2

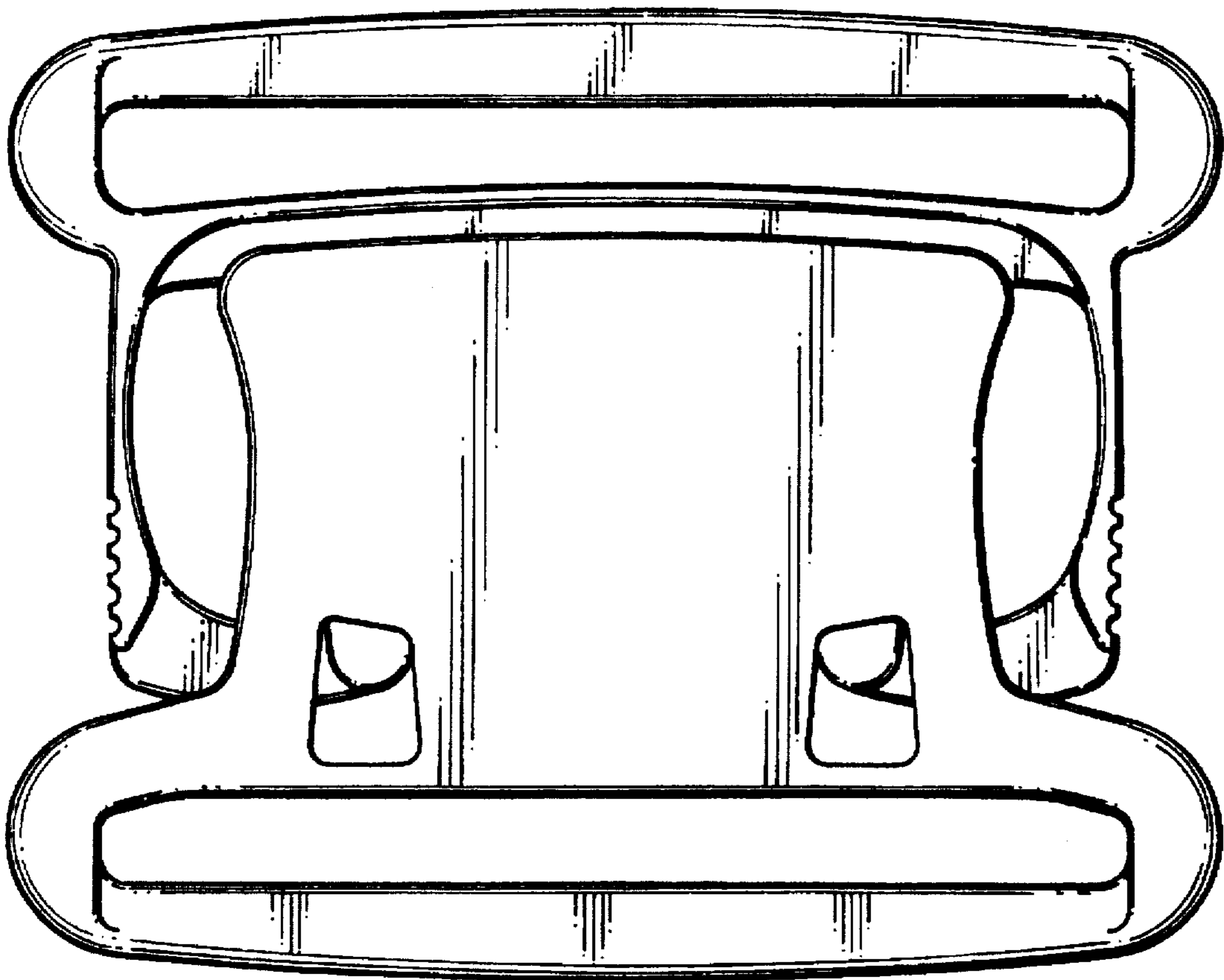


FIG.3

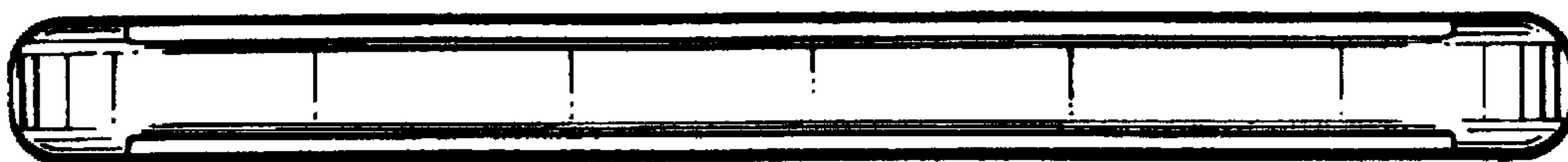


FIG.4

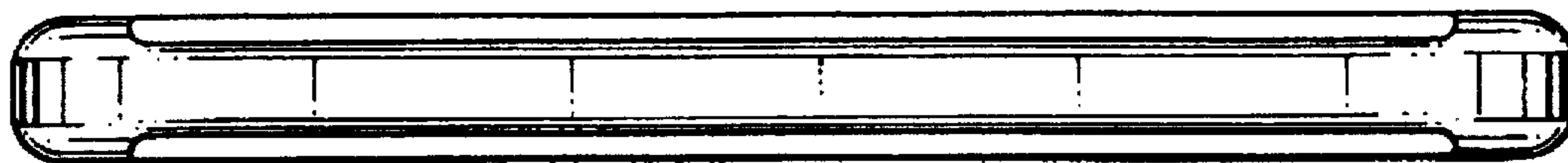


FIG.5

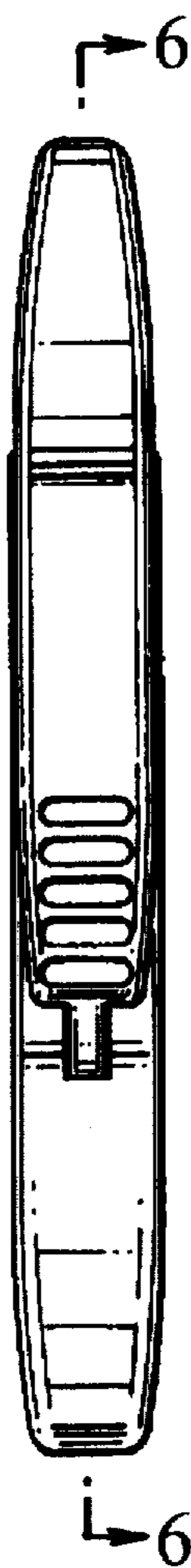


FIG.6

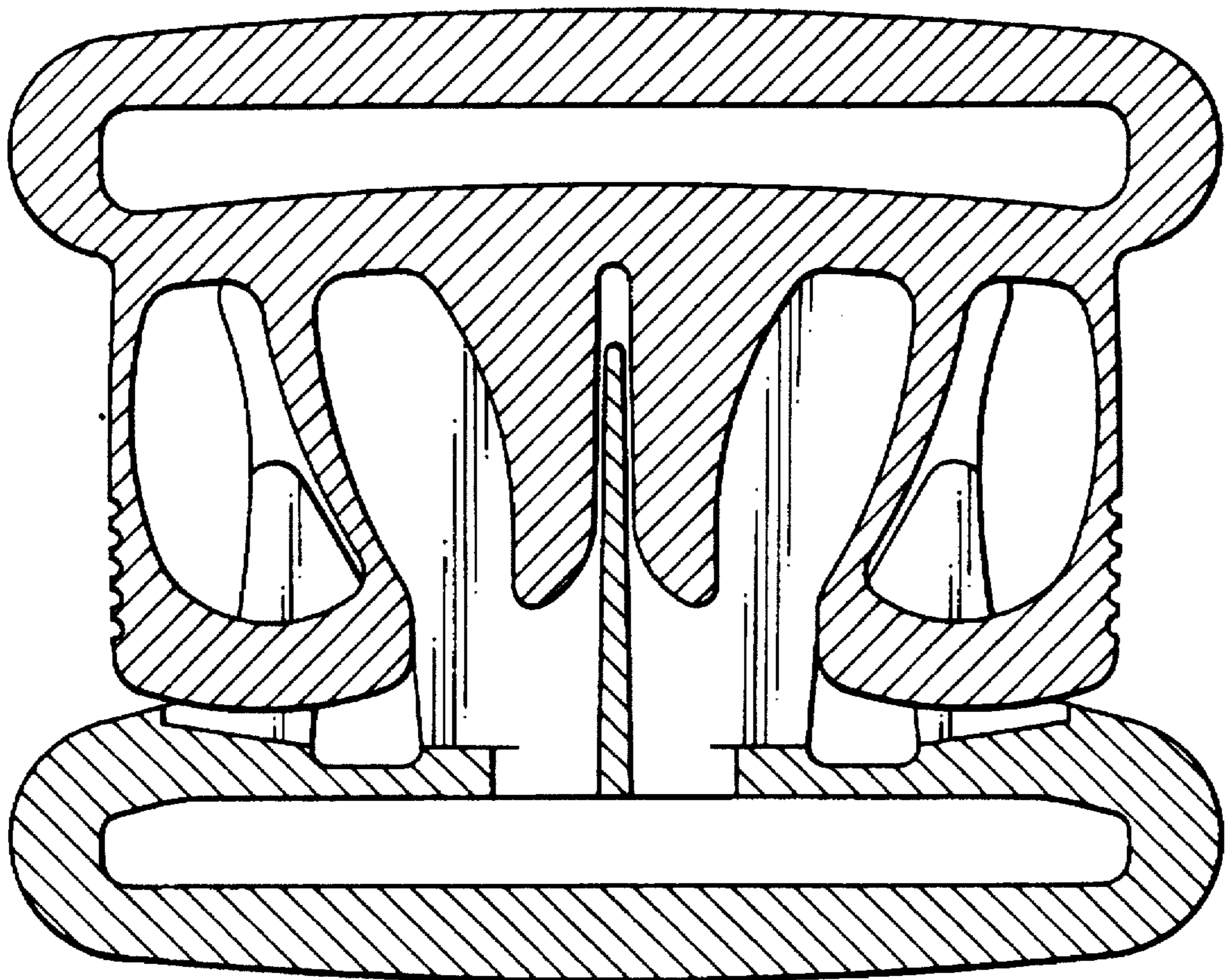


FIG. 7

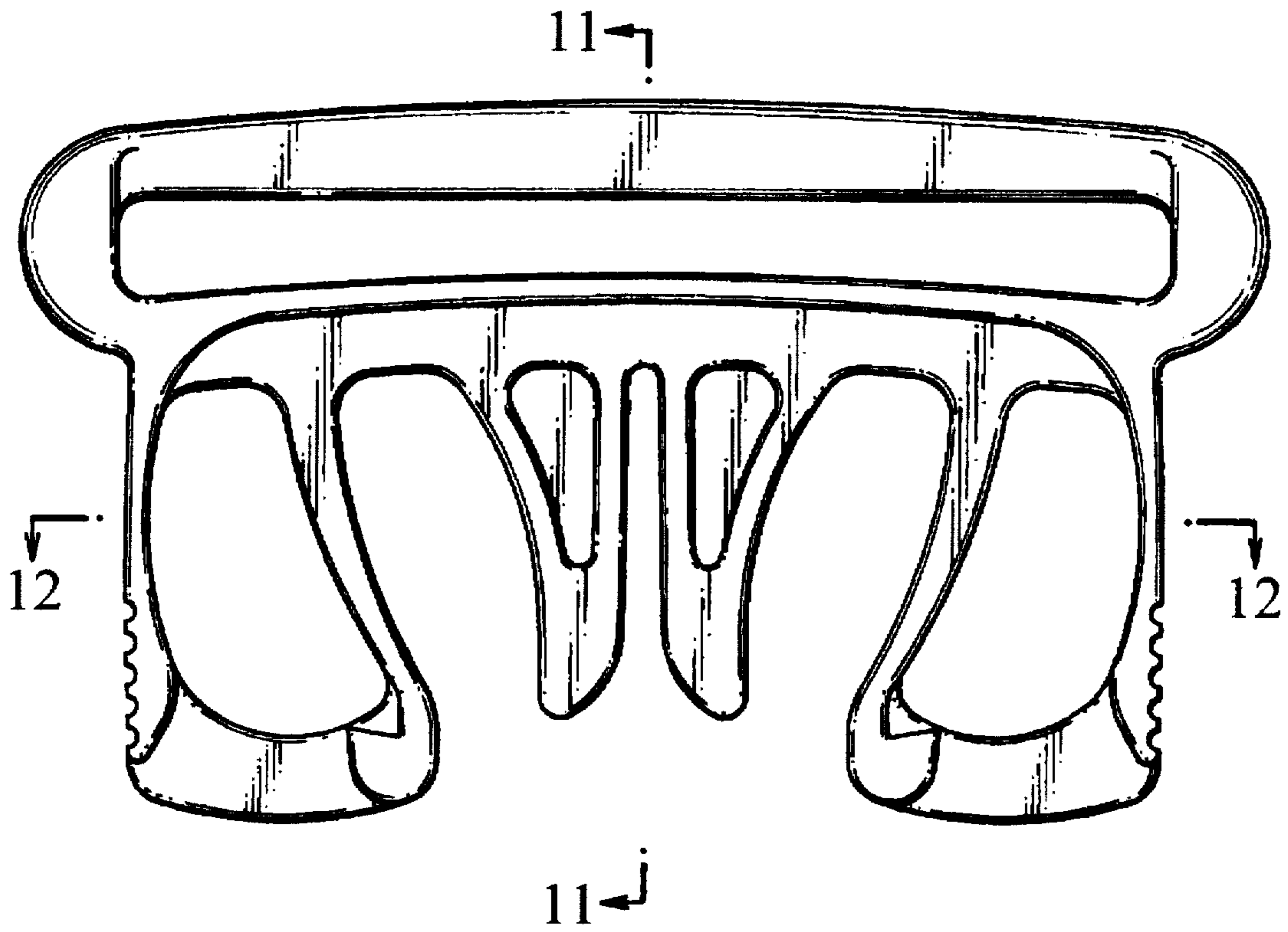


FIG. 8

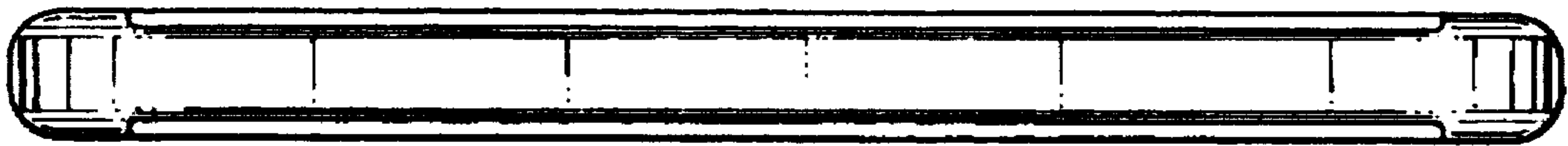


FIG. 9

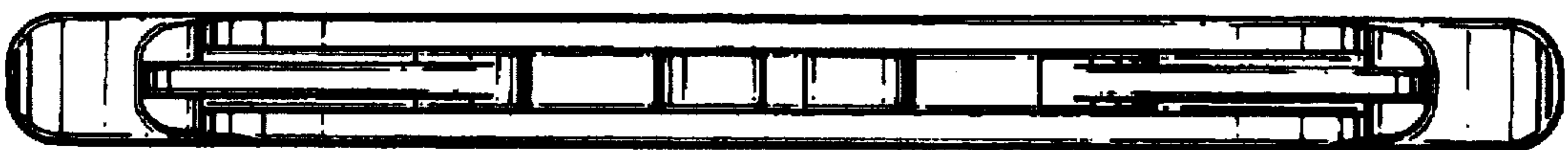


FIG.10



FIG. 11



FIG.12

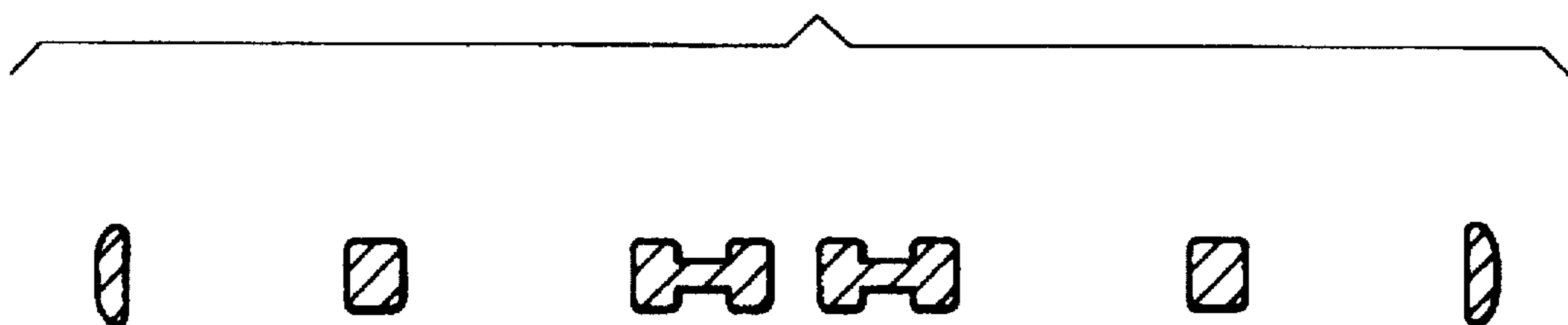


FIG. 13

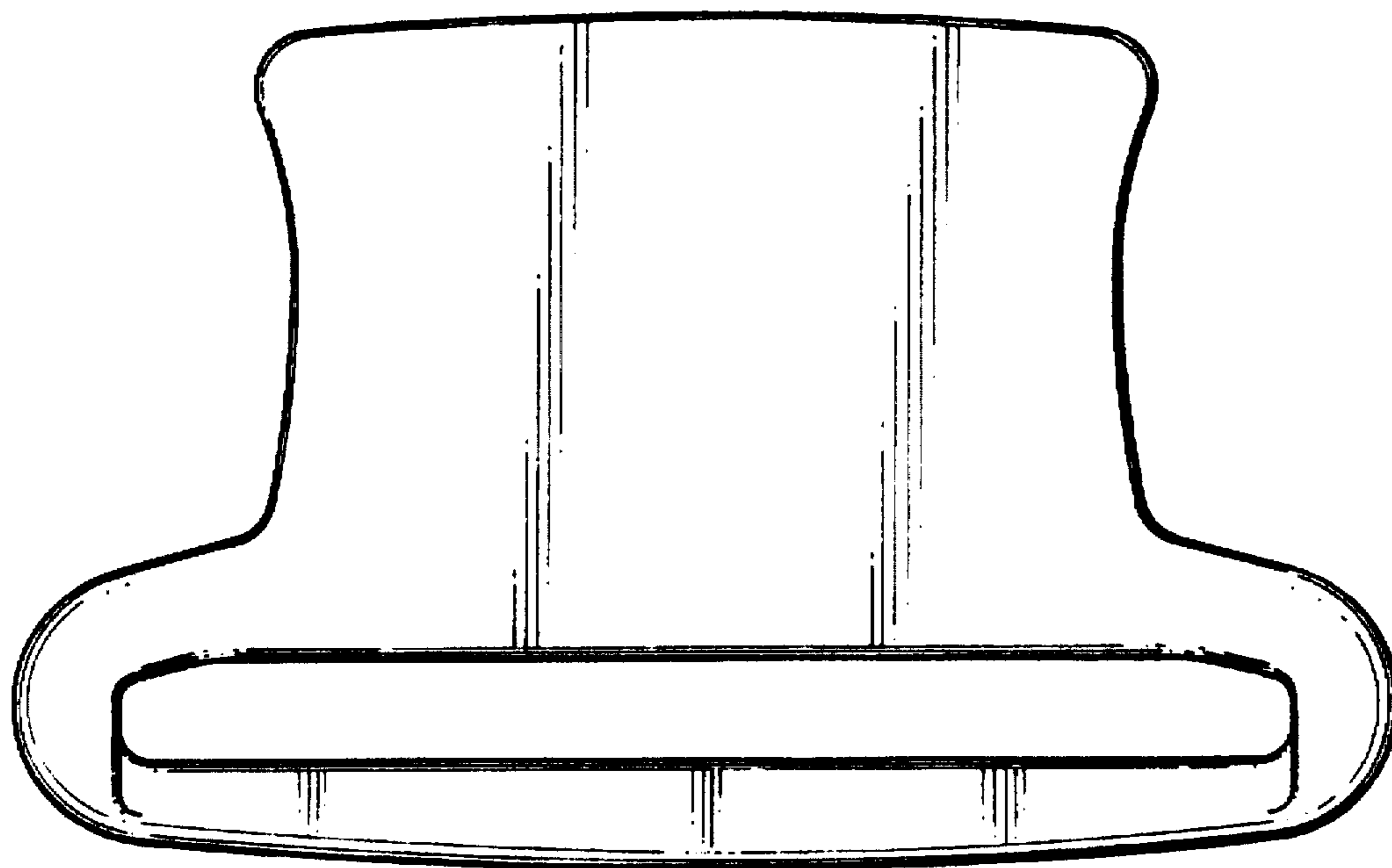


FIG. 14

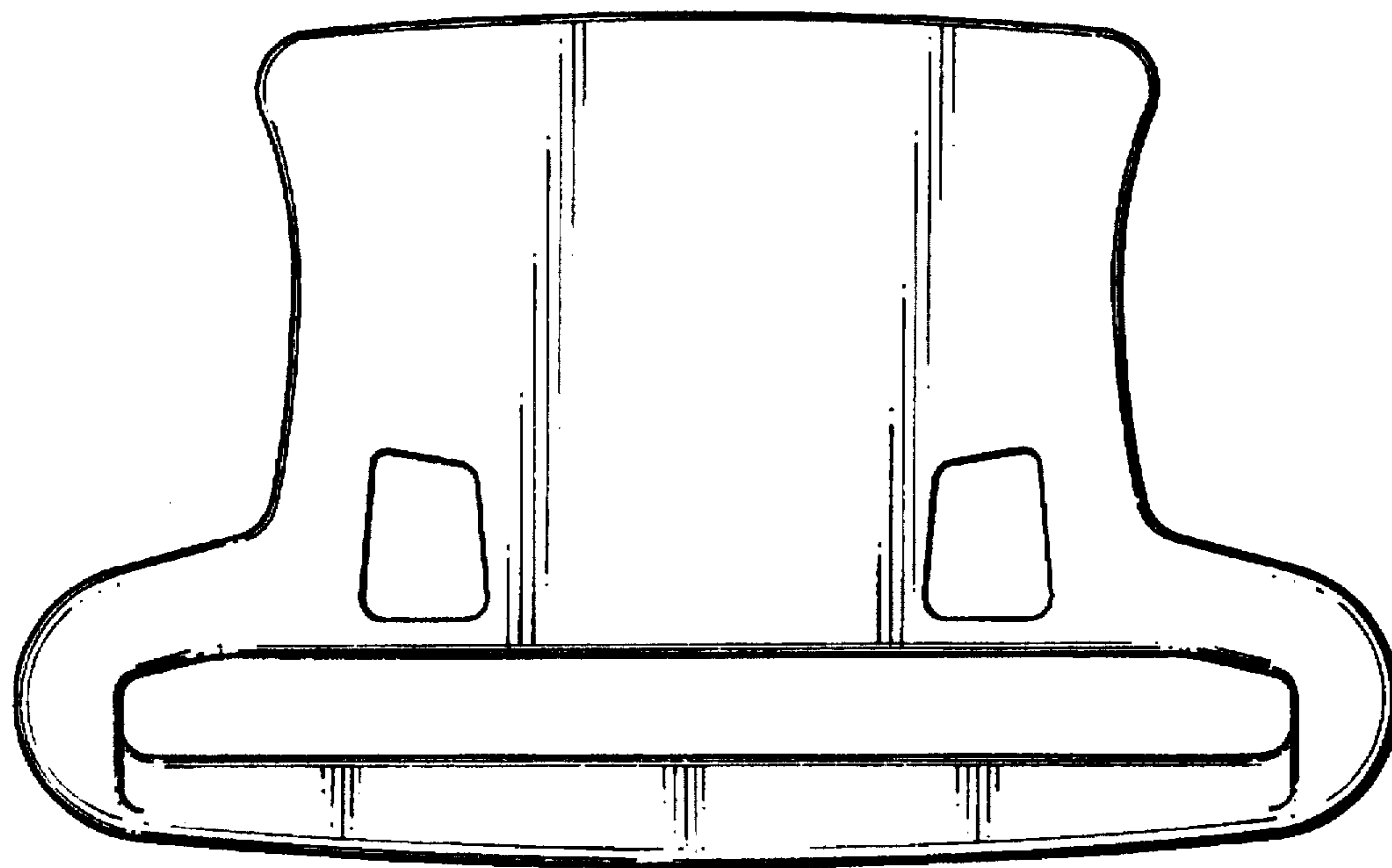


FIG. 15

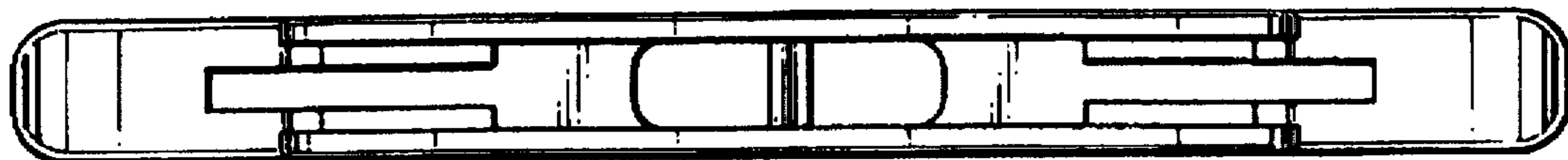


FIG. 16

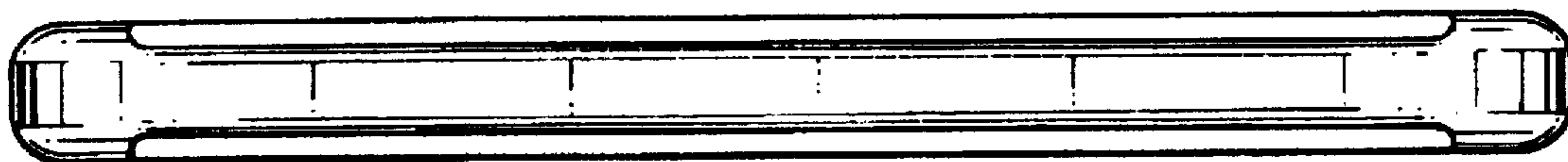


FIG. 17



FIG. 18

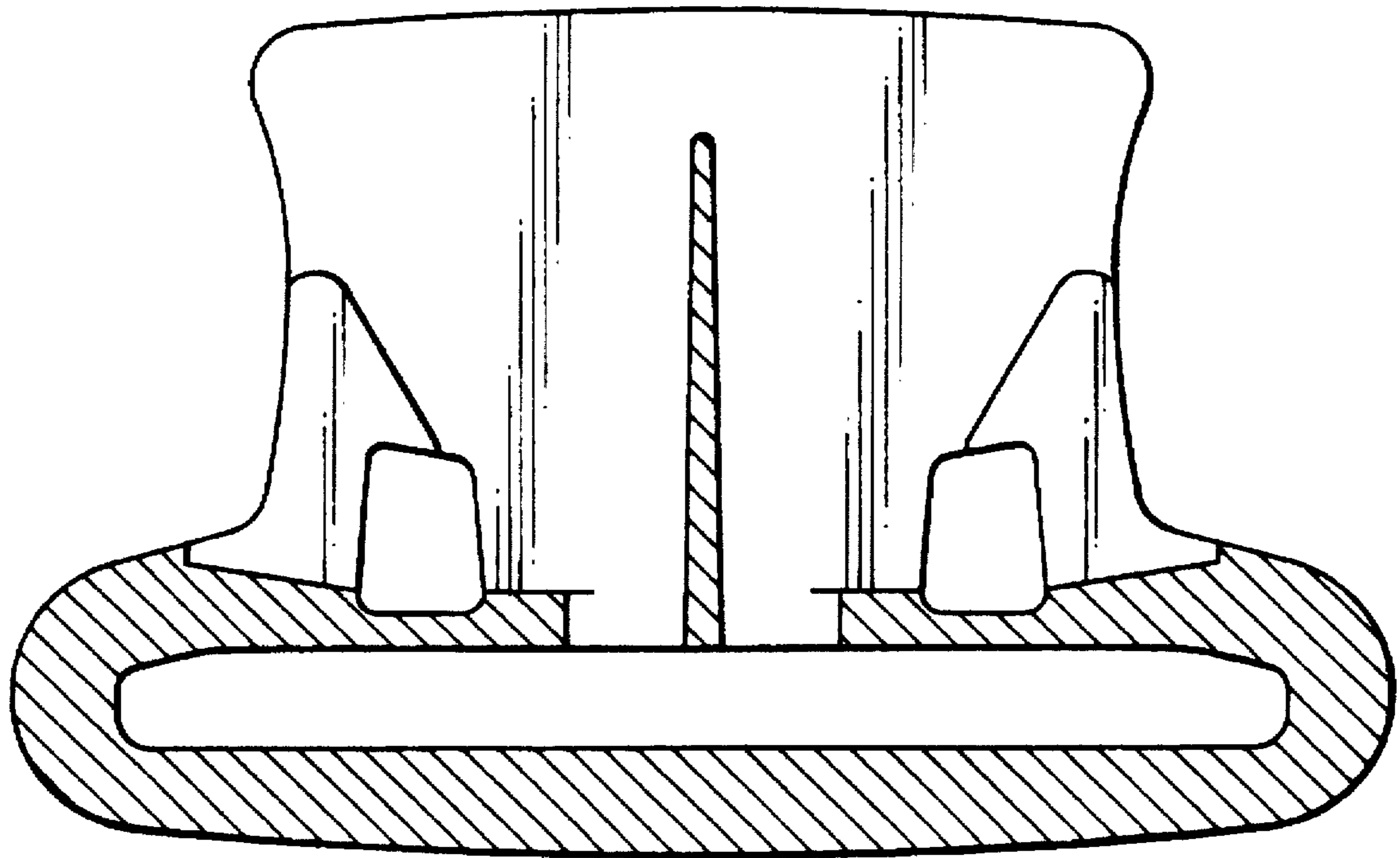


FIG. 19

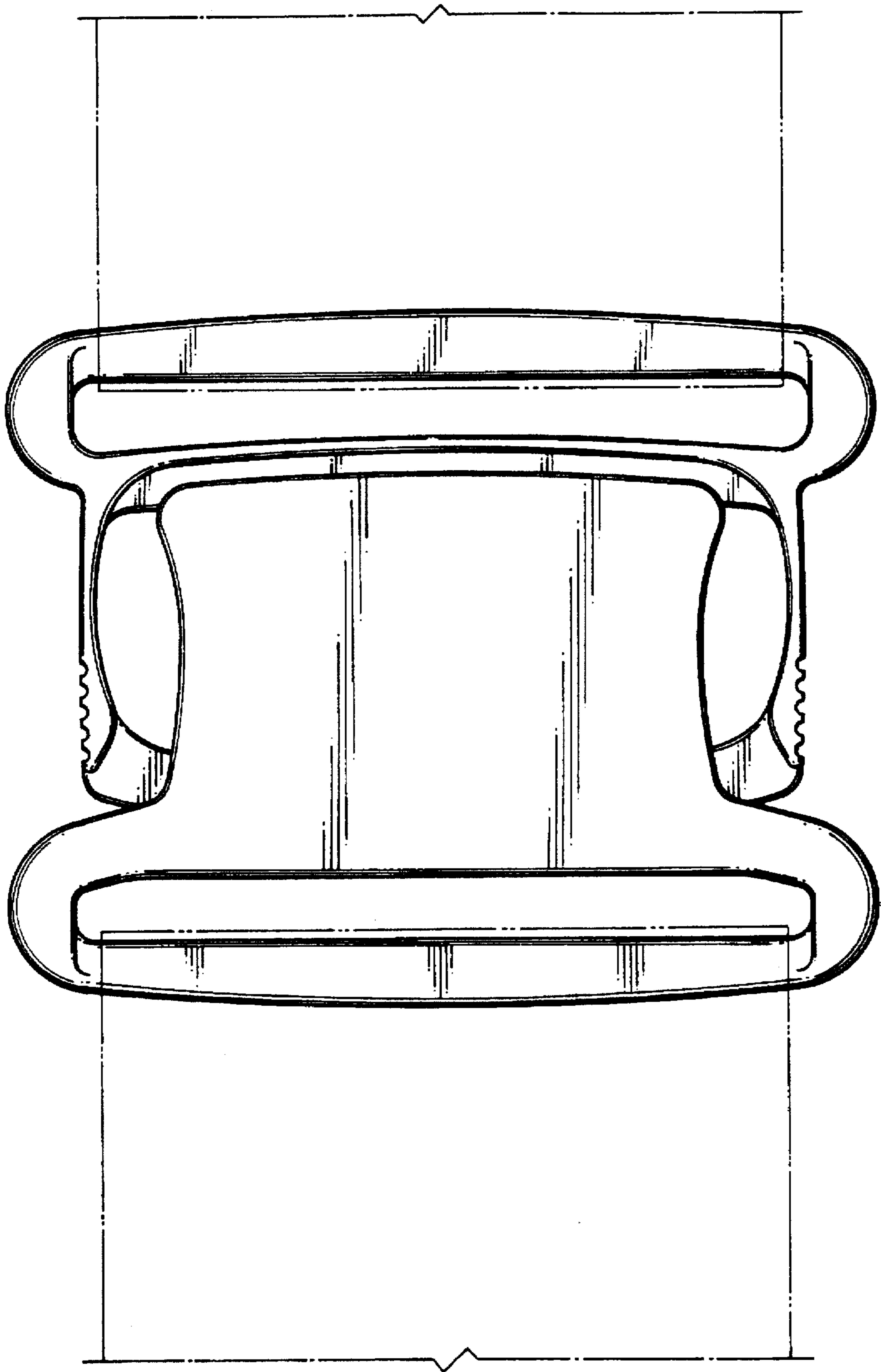


FIG. 20

