

US00D387004S

**United States Patent** [19]  
**McSparin**

[11] **Patent Number: Des. 387,004**  
[45] **Date of Patent: \*\*Dec. 2, 1997**

[54] **TERRARIUM KIT WITH WATER POND DISH**

2454752 12/1980 France ..... 47/41.12

[76] **Inventor: Joseph R. McSparin**, 1937 Antioch Rd., Hamersville, Ohio 45130

*Primary Examiner*—James M. Gandy  
*Assistant Examiner*—Cathron B. Matta  
*Attorney, Agent, or Firm*—Harold H. Dutton, Jr.; W. Charles L. Jamison; Diane F. Liebman

[\*\*] **Term: 14 Years**

[57] **CLAIM**

[21] **Appl. No.: 36,395**

The ornamental design for a terrarium kit with water pond dish, as shown and described.

[22] **Filed: Mar. 20, 1995**

**DESCRIPTION**

[51] **LOC (6) Cl. .... 11-02**

[52] **U.S. Cl. .... D11/145; D30/106**

[58] **Field of Search .... D11/145; D30/101-106; 47/69 T; 119/246, 253, 255, 256**

FIG. 1 is an exploded perspective view of a terrarium kit with water pond dish showing my new design; FIG. 2 is right side elevational view thereof; FIG. 3 is a left side elevational view thereof; FIG. 4 is a front view thereof; FIG. 5 is a rear view thereof; FIG. 6 is a bottom view thereof; and, FIG. 7 is a non-exploded perspective view thereof.

[56] **References Cited**

**U.S. PATENT DOCUMENTS**

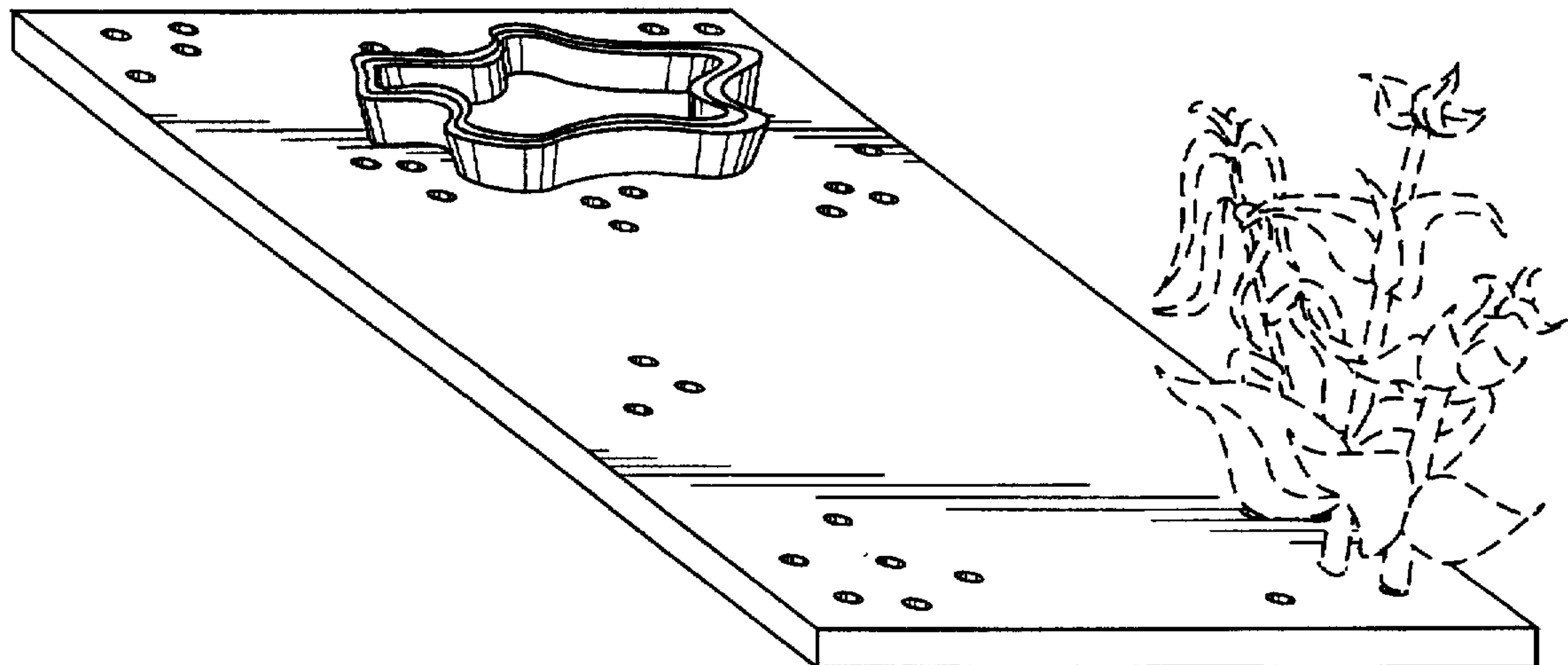
- D. 167,243 7/1952 Yellin ..... D11/152 X
- D. 271,675 12/1983 Nichols ..... D11/147
- D. 327,142 6/1992 Pilgrim, Jr. .... D30/106
- D. 351,686 10/1994 O'Dell ..... D30/106
- 4,974,545 12/1990 Jones ..... D30/106 X
- 5,451,443 9/1995 Weschler ..... 119/256 X

The broken line showing of a plant is for illustrative purposes only and forms no part of the claimed design. FIGS. 2 through 7 show the terrarium kit in its non-exploded form for ease of illustration.

**FOREIGN PATENT DOCUMENTS**

2355449 1/1978 France ..... 119/253

**1 Claim, 5 Drawing Sheets**



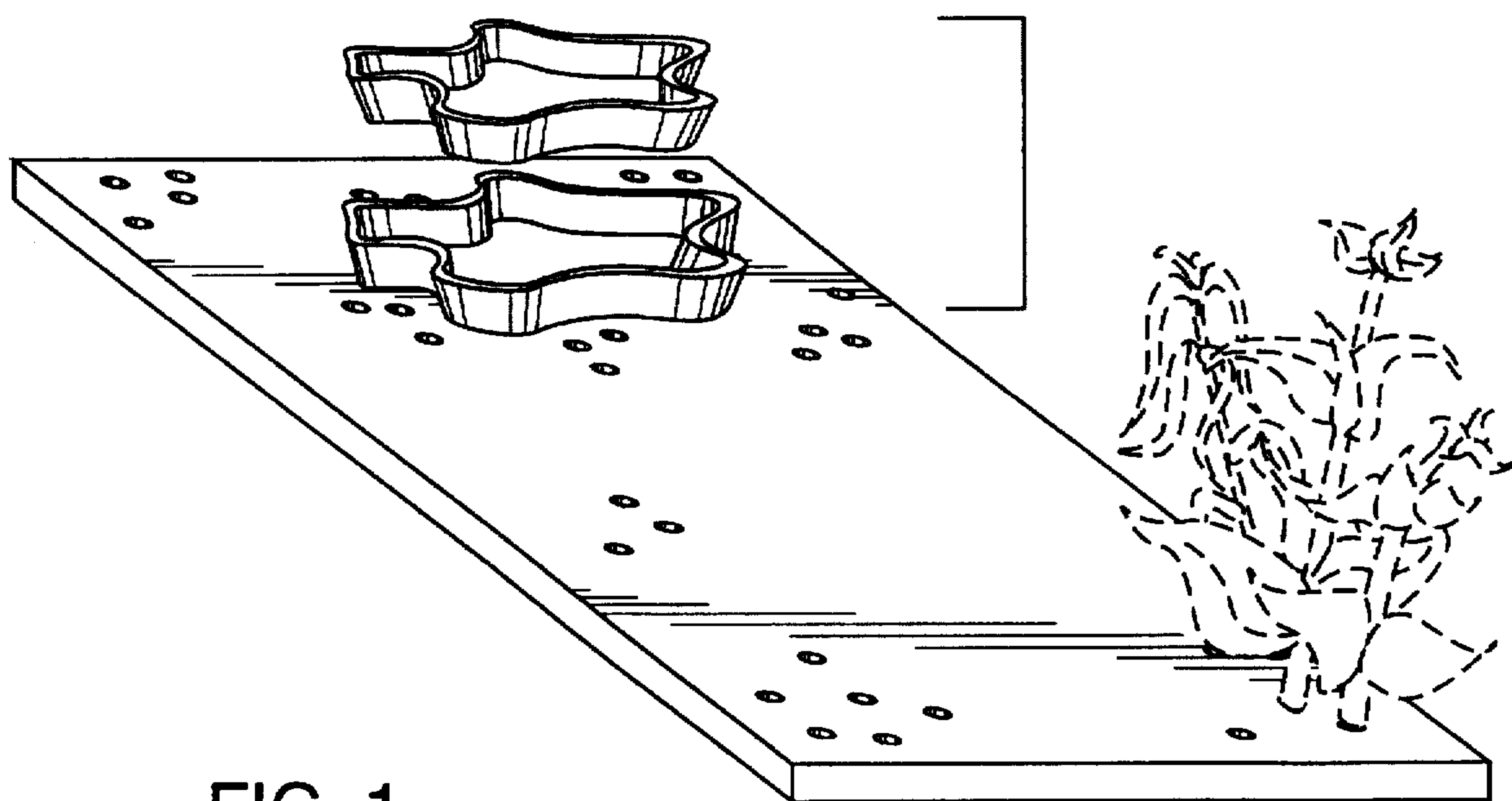


FIG. 1

FIG. 2

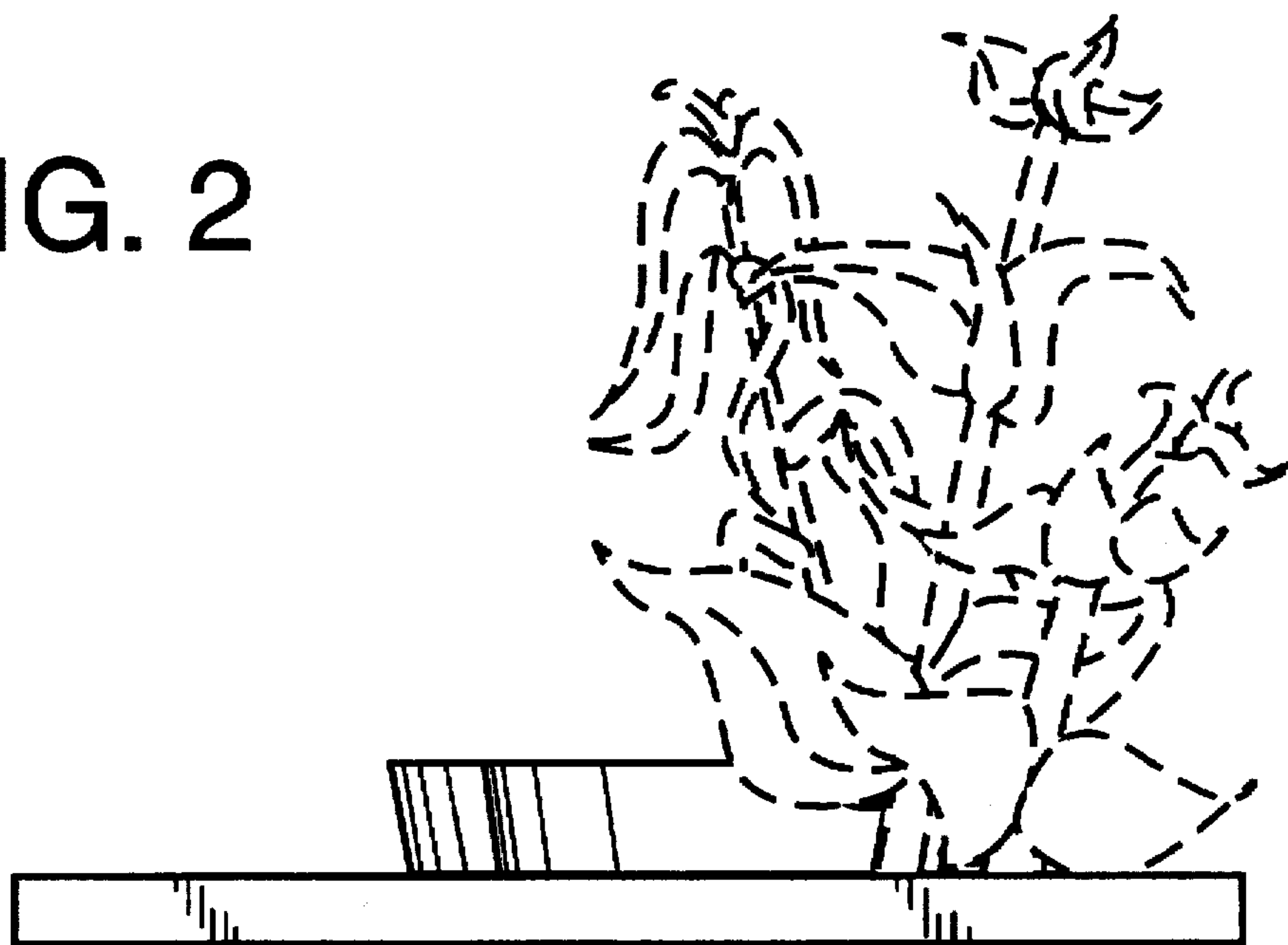


FIG. 3

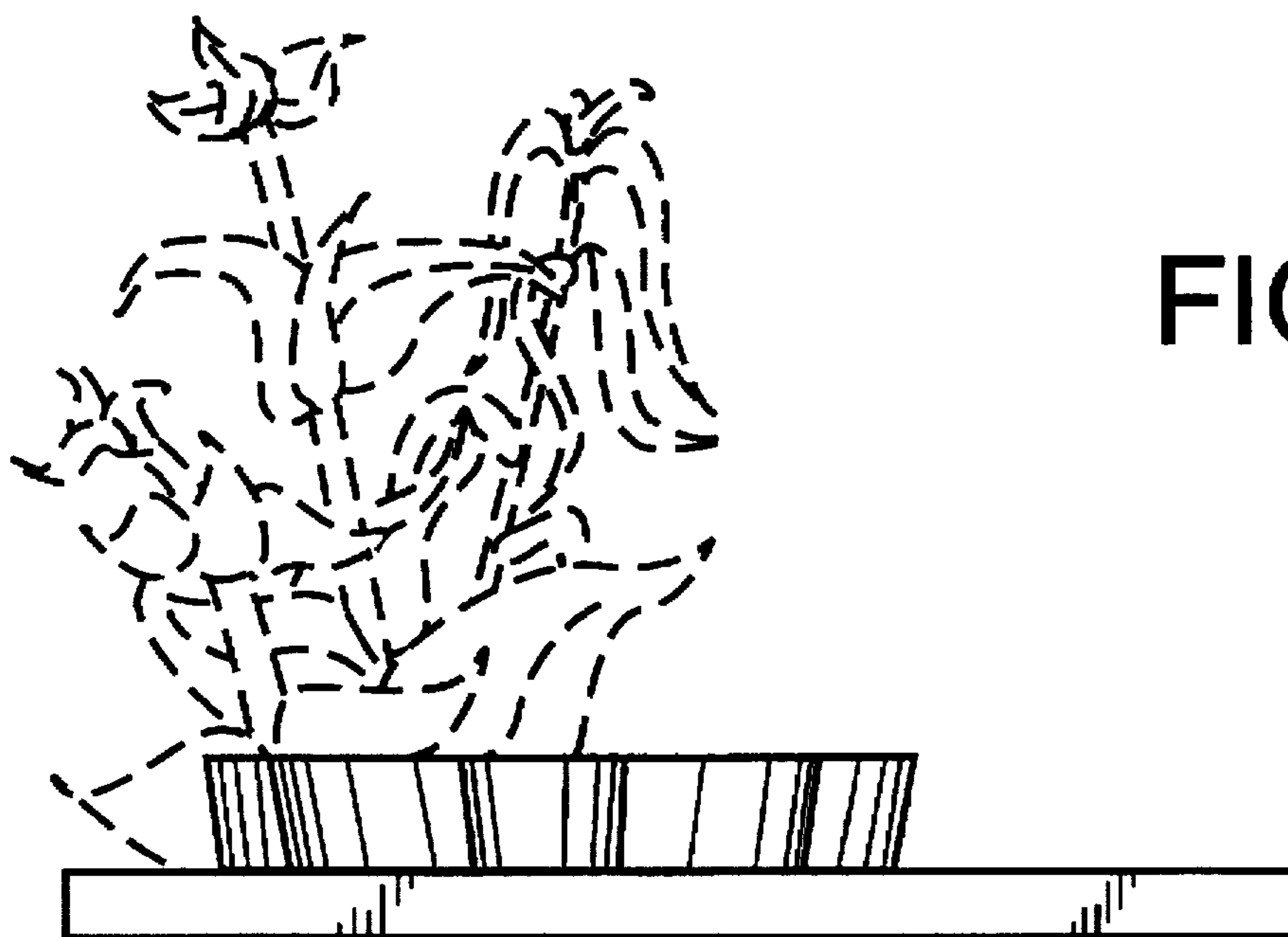


FIG. 4

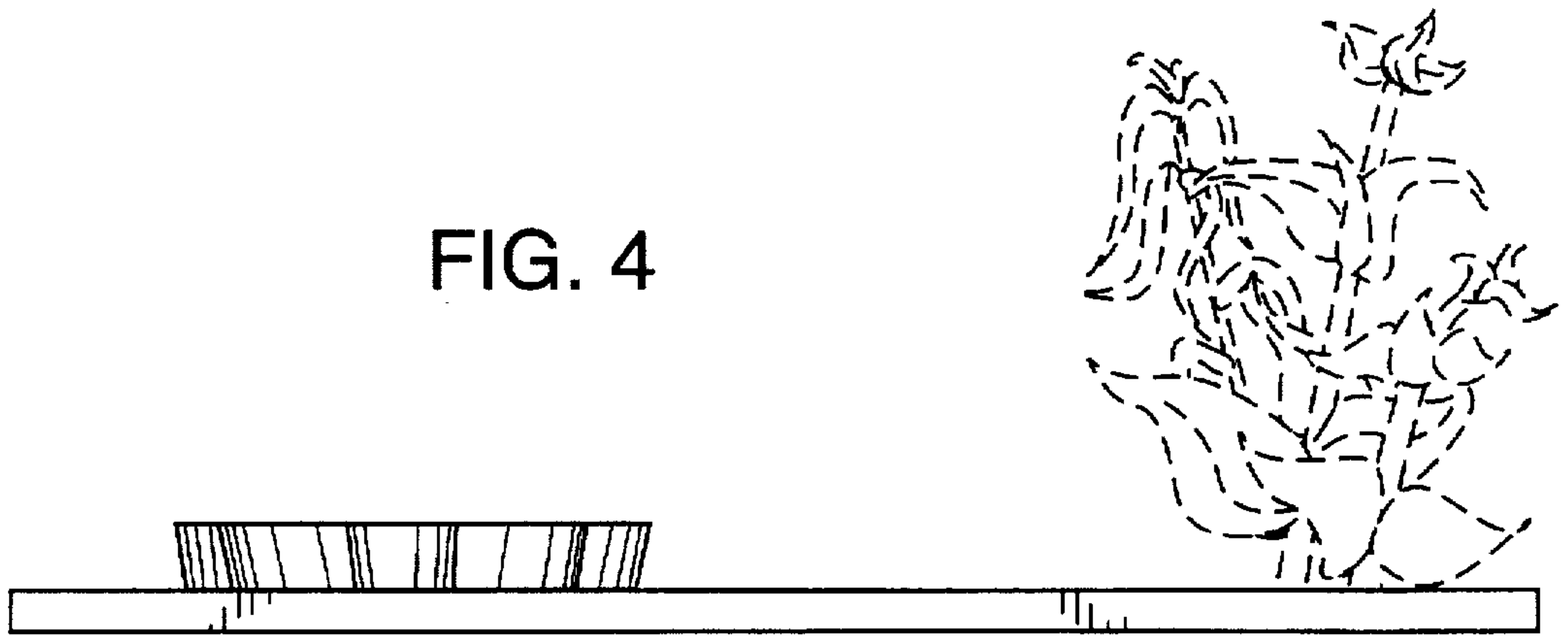


FIG. 5

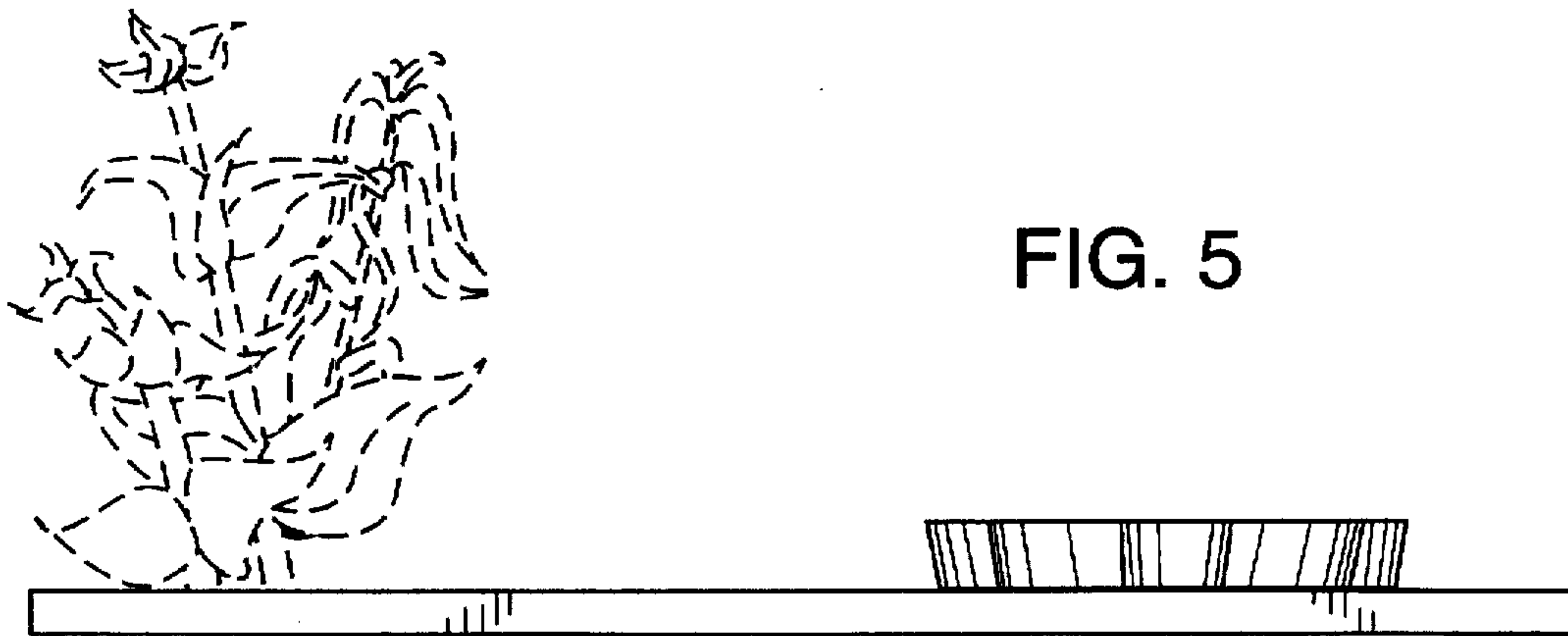
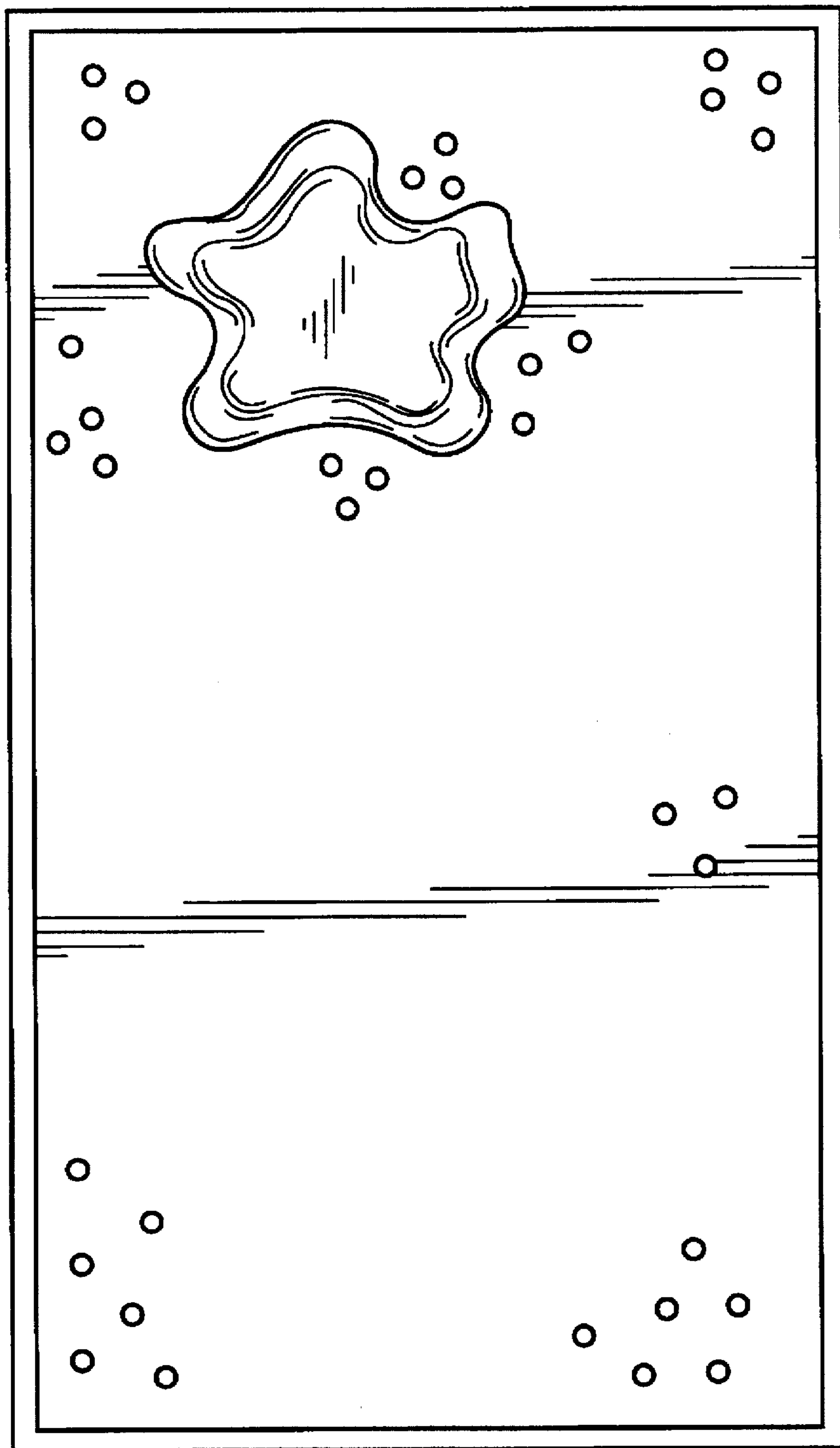


FIG. 6



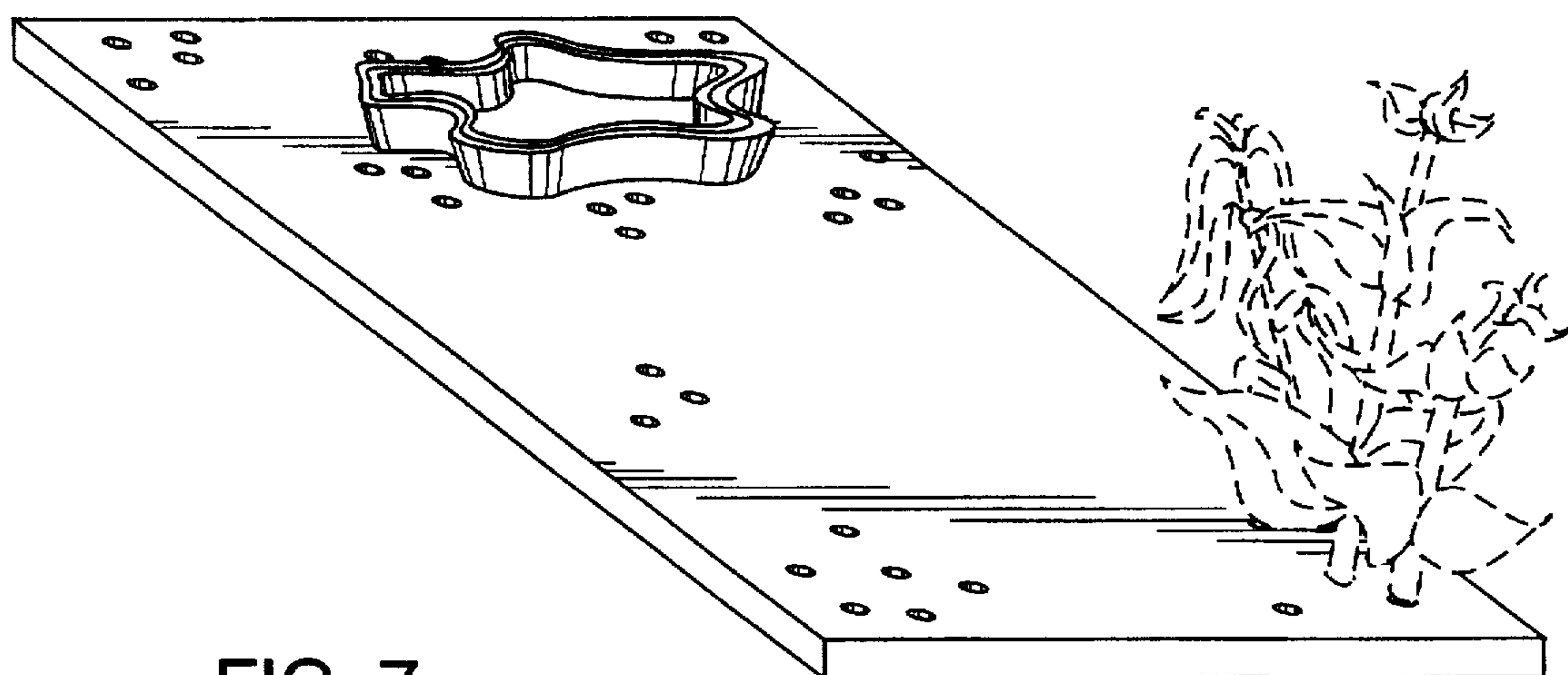


FIG. 7