



US00D386993S

# United States Patent [19]

[11] Patent Number: **Des. 386,993**

Fujii et al.

[45] Date of Patent: **\*\*Dec. 2, 1997**

[54] **SURVEYING INSTRUMENT**

[75] Inventors: **Akio Fujii; Yasuo Nakamura**, both of Tokyo, Japan

[73] Assignees: **Asahi Kogaku Kogyo Kabushiki Kaisha; Asahi Seimitsu Kabushiki Kaisha**, both of Tokyo, Japan

[\*\*] Term: **14 Years**

[21] Appl. No.: **58,969**

[22] Filed: **Aug. 29, 1996**

[30] **Foreign Application Priority Data**

Feb. 29, 1996 [JP] Japan ..... 8-5436

[51] LOC (6) CL ..... **10-04**

[52] U.S. Cl. .... **D10/66**

[58] Field of Search ..... D10/66; 33/290, 33/291-299; 356/138-155

[56] **References Cited**

**U.S. PATENT DOCUMENTS**

D. 333,276 2/1993 Donn ..... D10/66

*Primary Examiner*—Antoine Duval Davis  
*Attorney, Agent, or Firm*—Sughrue, Mion, Zinn, Macpeak & Seas, PLLC

[57] **CLAIM**

The ornamental design for a surveying instrument, as shown.

**DESCRIPTION**

FIG. 1 is a perspective view of the top, front and left side of a surveying instrument showing our new design;

FIG. 2 is a front elevational view thereof;

FIG. 3 is a top plan view thereof;

FIG. 4 is a right side elevational view thereof;

FIG. 5 is a left side elevational view thereof;

FIG. 6 is a rear elevational view thereof; and,

FIG. 7 is a bottom plan view thereof.

**1 Claim, 7 Drawing Sheets**

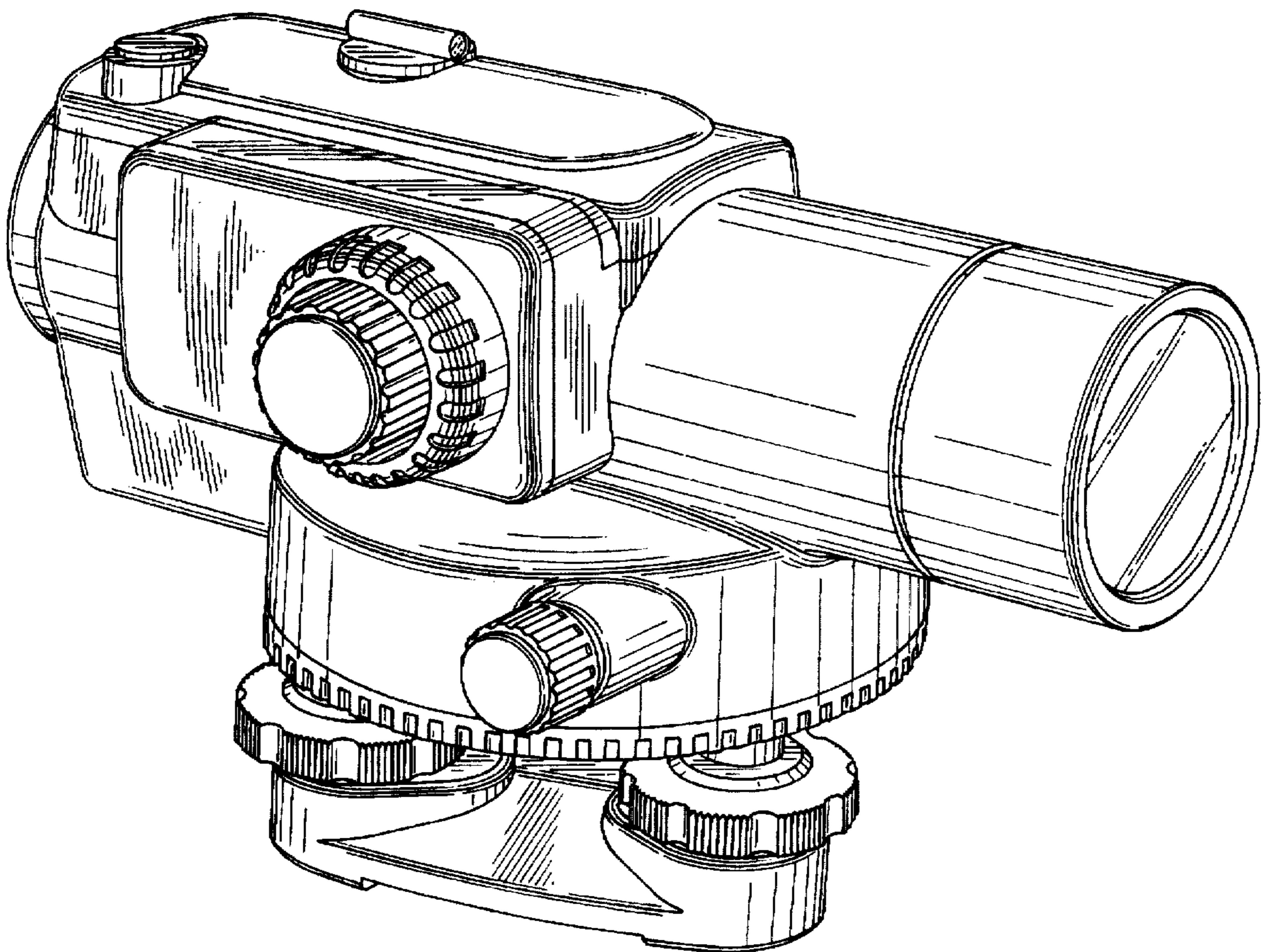


FIG. 1

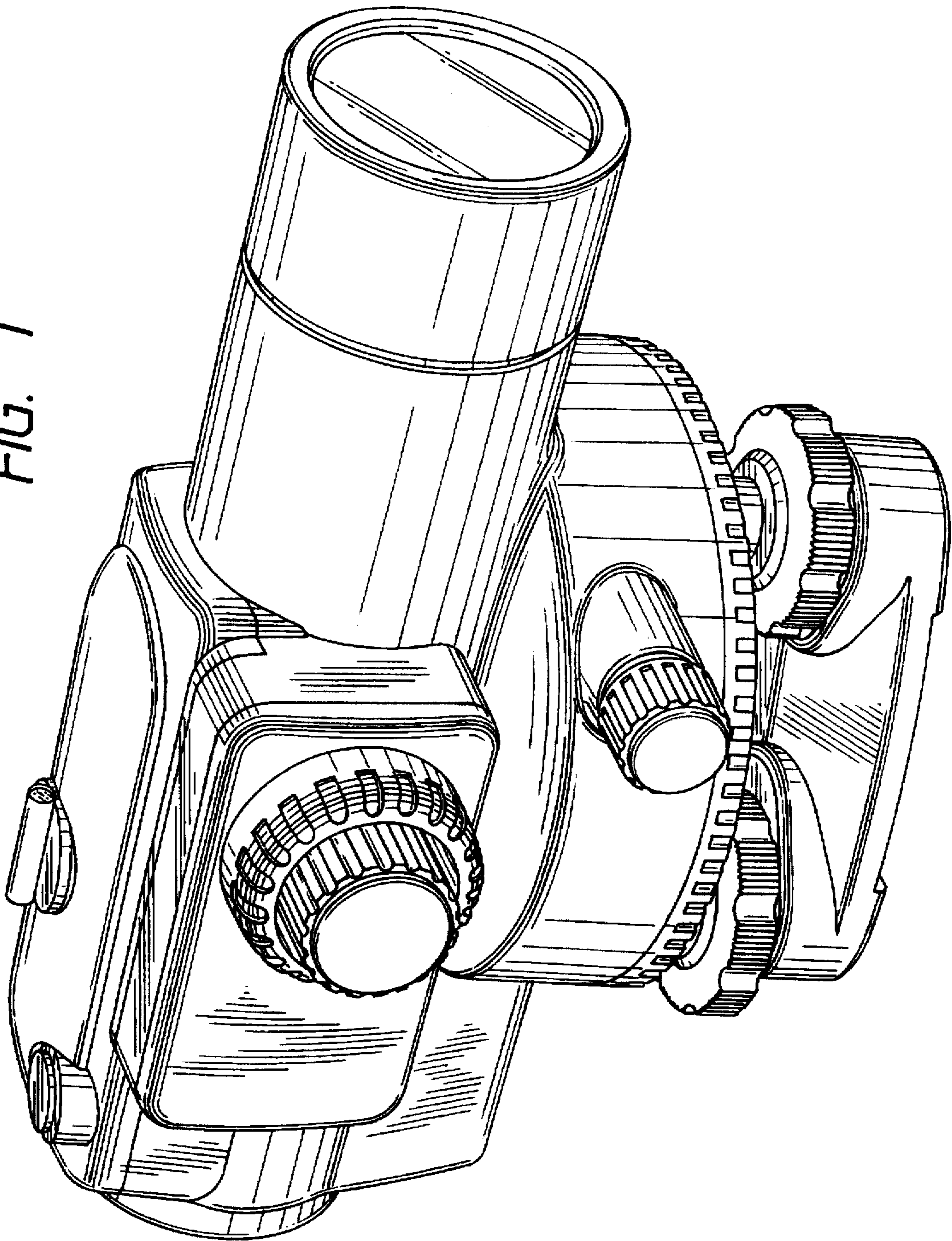


FIG. 2

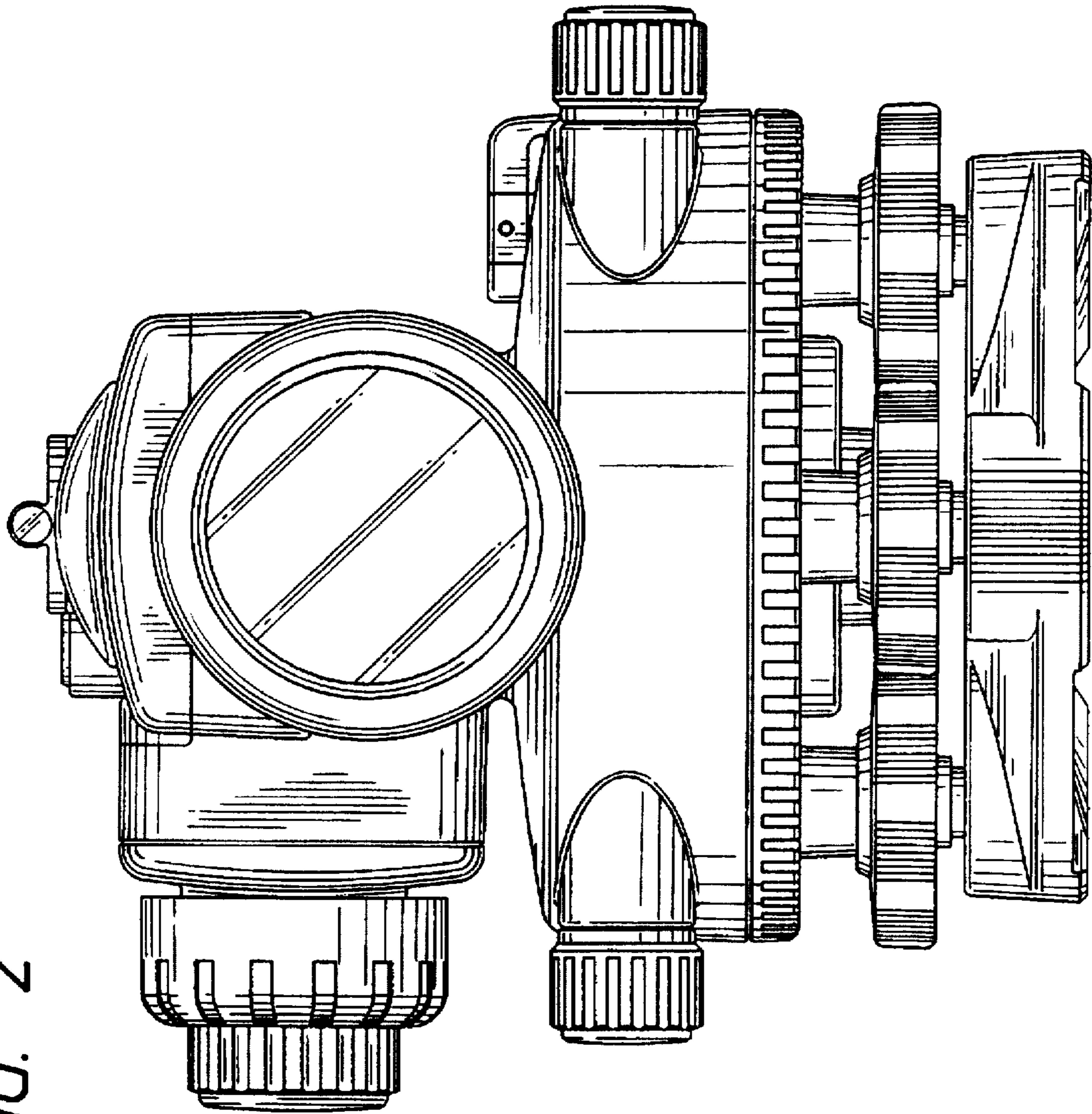


FIG. 3

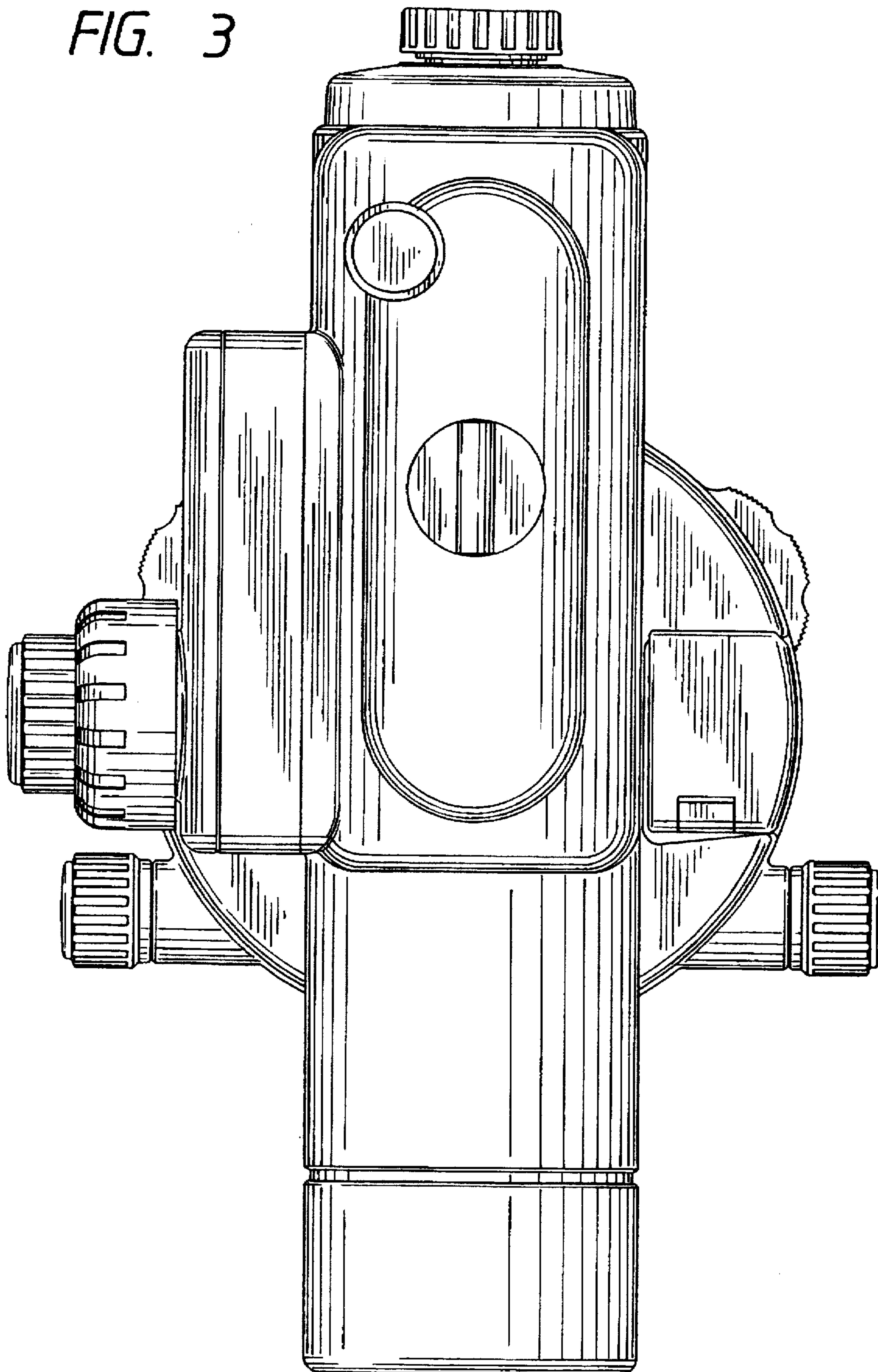


FIG. 4

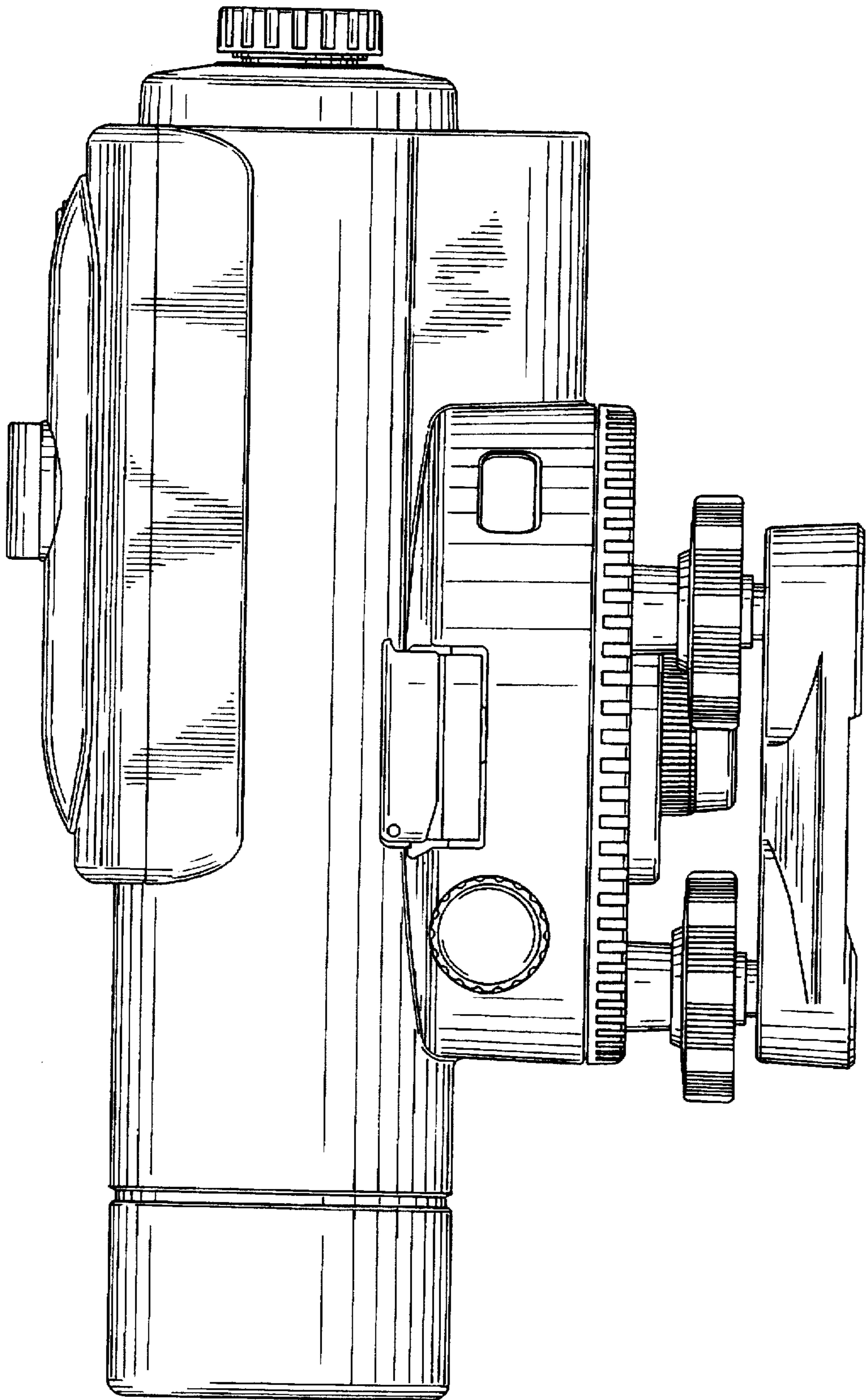
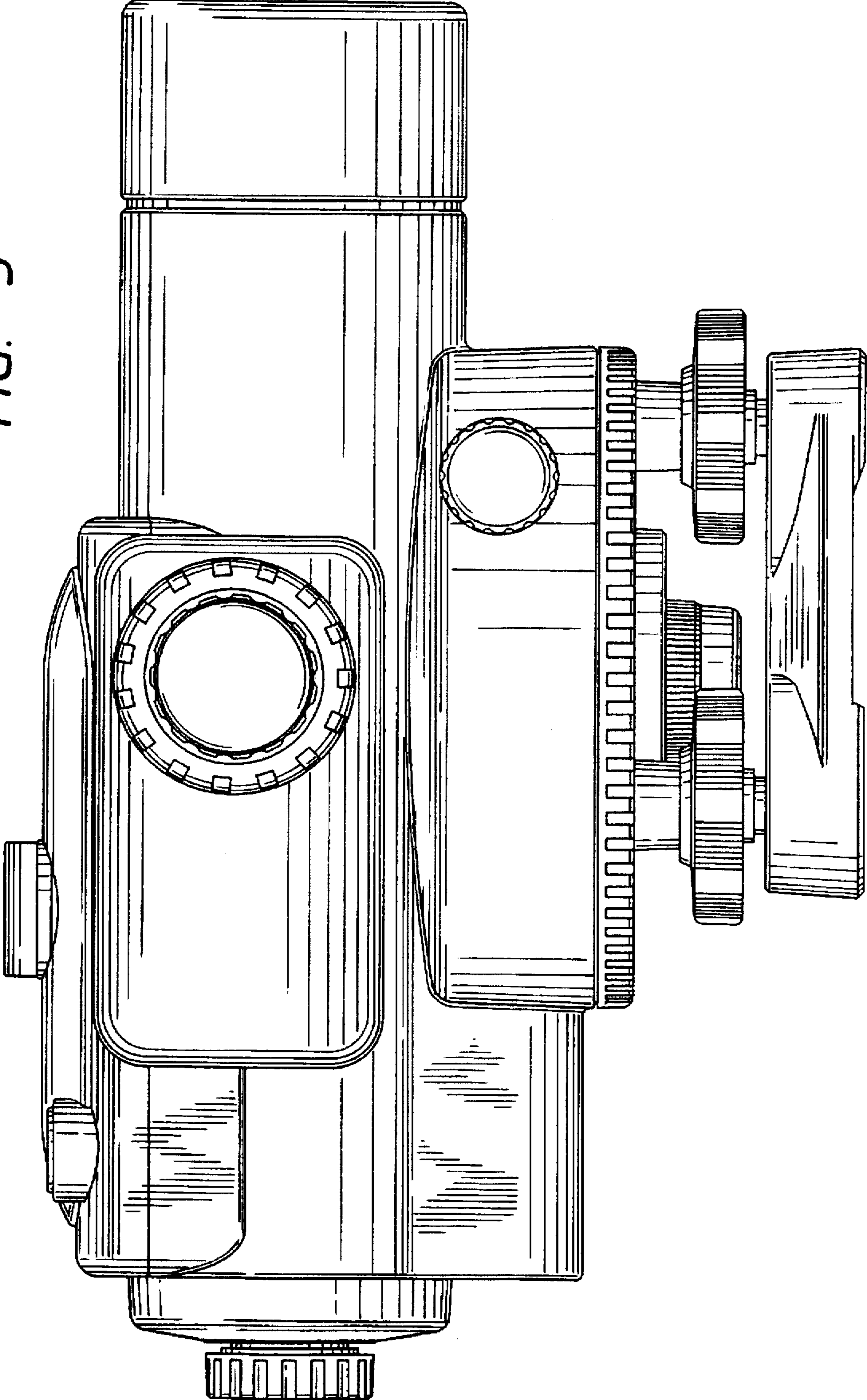


FIG. 5



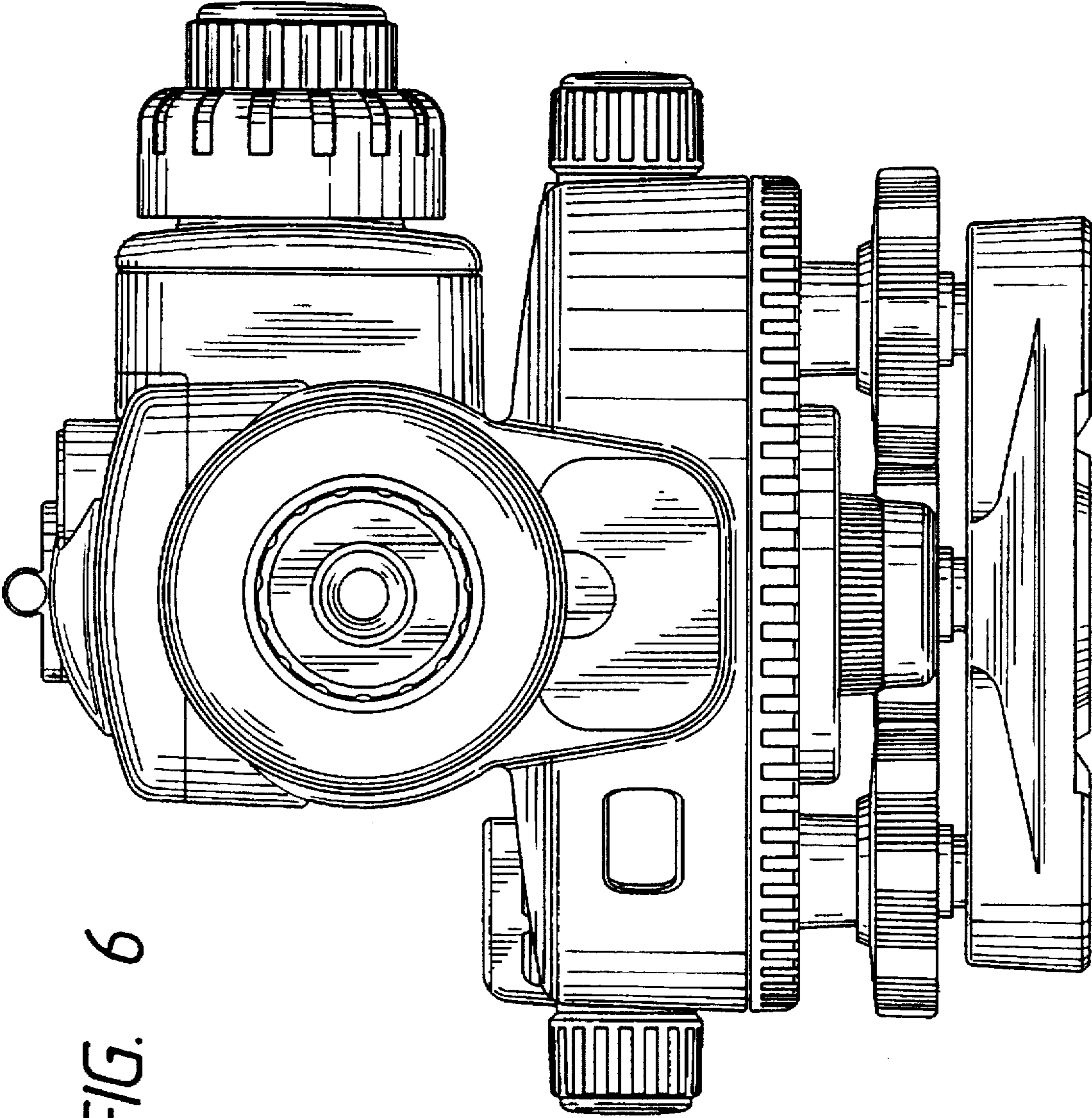


FIG. 6

FIG. 7

