



US00D386991S

United States Patent [19]
Carlson

[11] **Patent Number: Des. 386,991**
[45] **Date of Patent: **Dec. 2, 1997**

[54] **WEATHER VANE**
[76] **Inventor: Herman Joseph Carlson, P.O. Box 567, Tucumcari, N. Mex. 88401**
[**] **Term: 14 Years**
[21] **Appl. No.: 63,382**
[22] **Filed: Dec. 6, 1996**
[51] **LOC (6) Cl. 10-04**
[52] **U.S. Cl. D10/59; D25/1**
[58] **Field of Search D10/59; 73/170.05; D25/1**

3,732,730 5/1973 Kwolek 73/170.05
4,787,819 11/1988 Bond .
4,877,374 10/1989 Burkett .

Primary Examiner—Doris Clark
Attorney, Agent, or Firm—Richard C. Litman

[57] **CLAIM**

The ornamental design for a weather vane, as shown and described.

DESCRIPTION

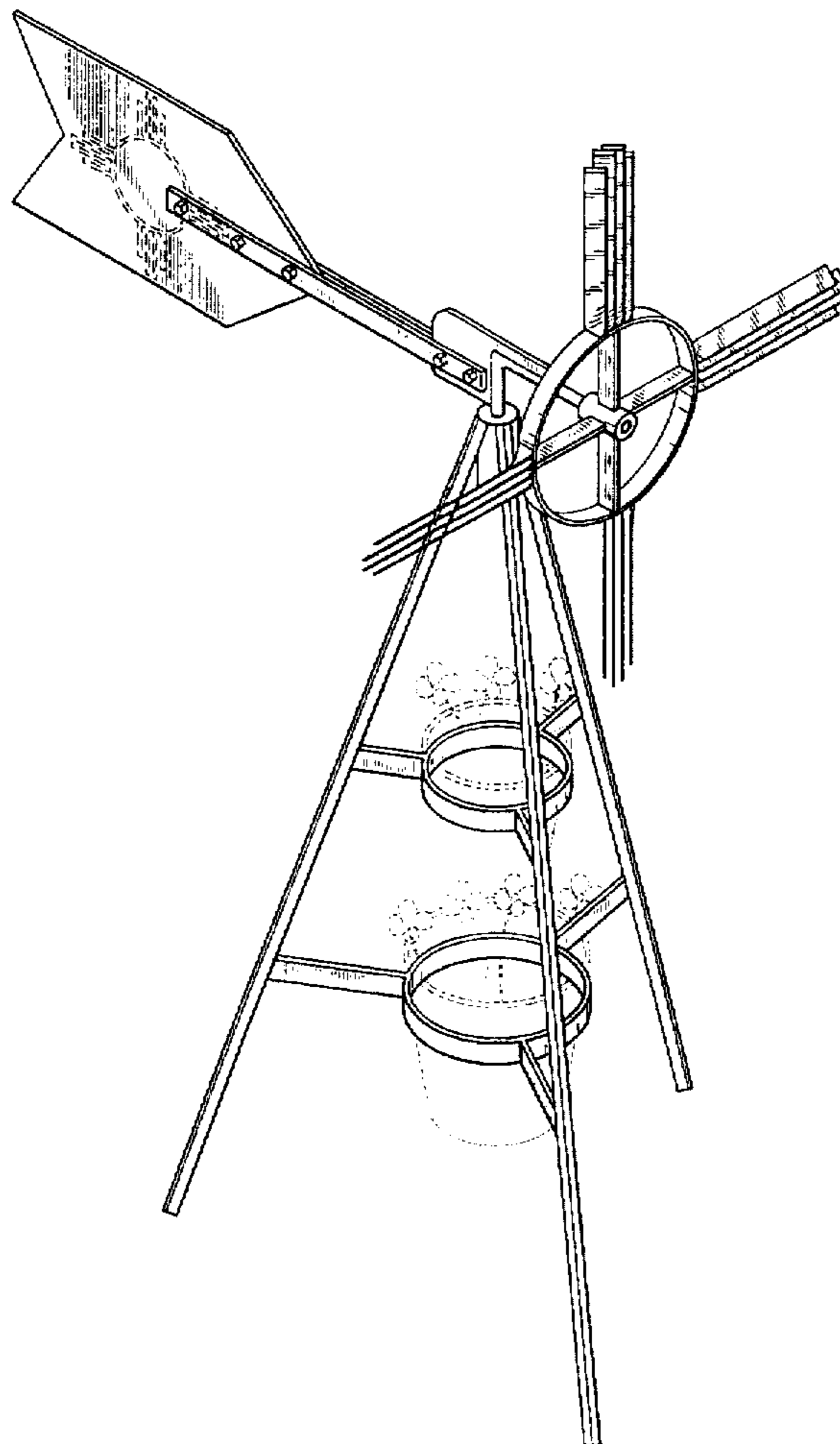
FIG. 1 is a perspective view of a weather vane showing my new design;
FIG. 2 is a top view thereof;
FIG. 3 is a bottom view thereof;
FIG. 4 is a front elevational view thereof;
FIG. 5 is a rear elevational view thereof; and,
FIG. 6 is a left side elevational view, with the right side being a mirror image thereof.
The broken line showing of indicia on the tail fin in FIGS. 1 and 6, and the broken line showing of potted plants in FIGS. 1 and 4, are for illustrative purposes only and forms no part of the claimed design.

[56] **References Cited**

U.S. PATENT DOCUMENTS

- D. 152,615 2/1949 Harbert .
- D. 179,960 3/1957 Wood .
- D. 205,078 6/1966 Netzel et al. .
- D. 205,460 8/1966 Doty .
- 209,334 10/1878 Dunlap .
- D. 218,466 8/1970 Fier .
- D. 220,645 5/1971 Kwolek D10/59
- 1,516,472 11/1924 Beaty .
- 1,877,622 9/1932 Beard .

1 Claim, 5 Drawing Sheets



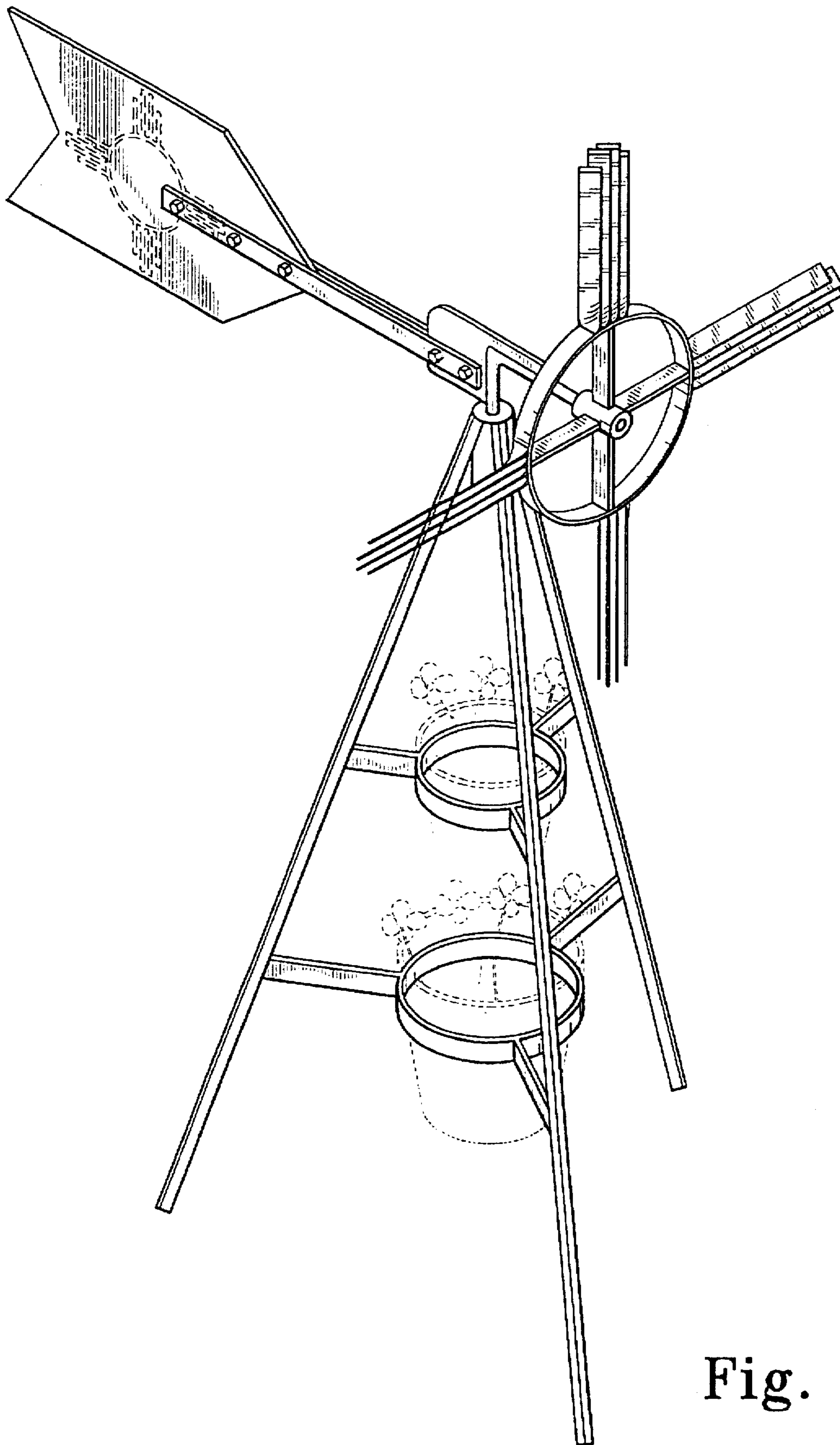


Fig. 1

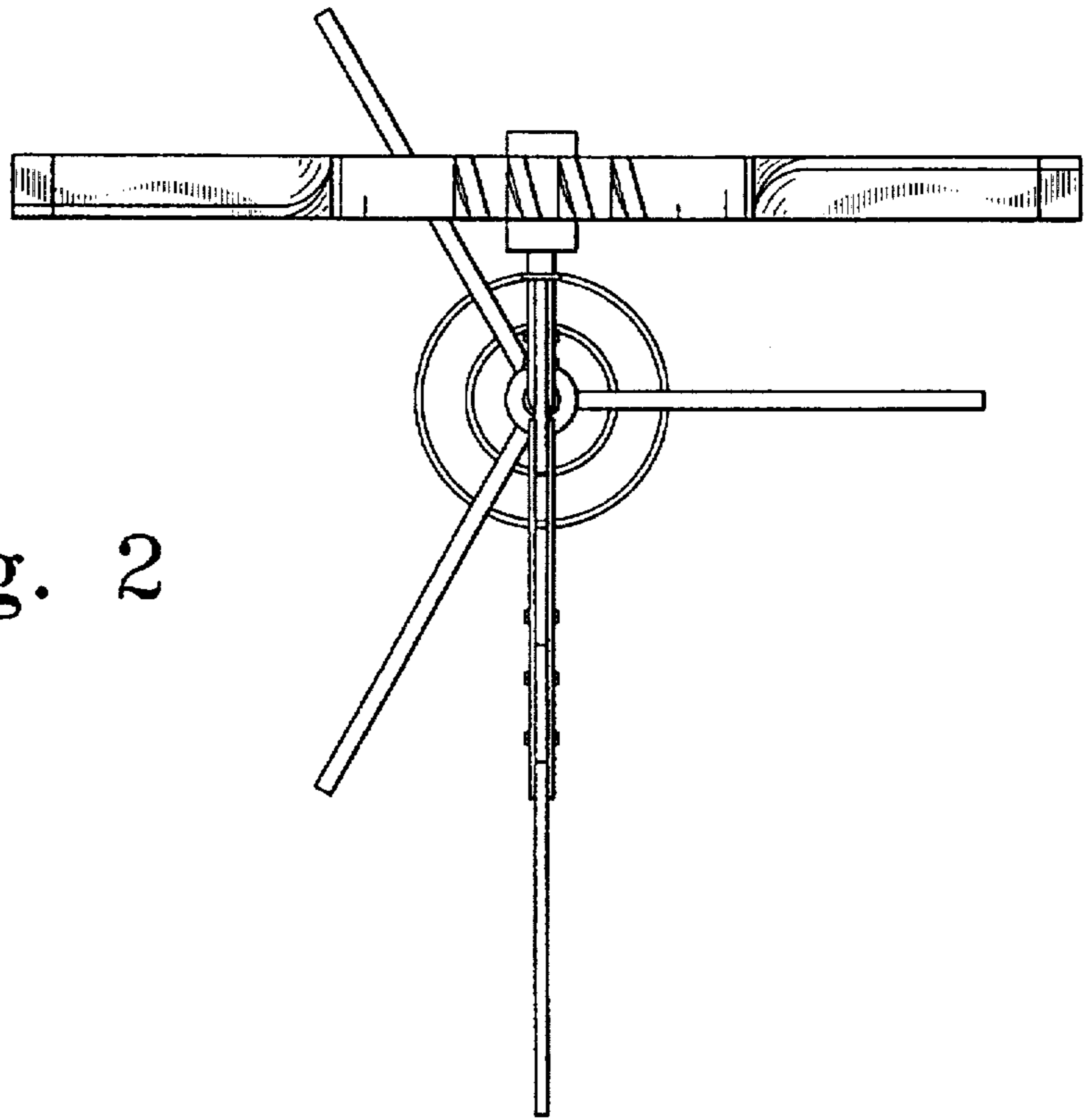


Fig. 2

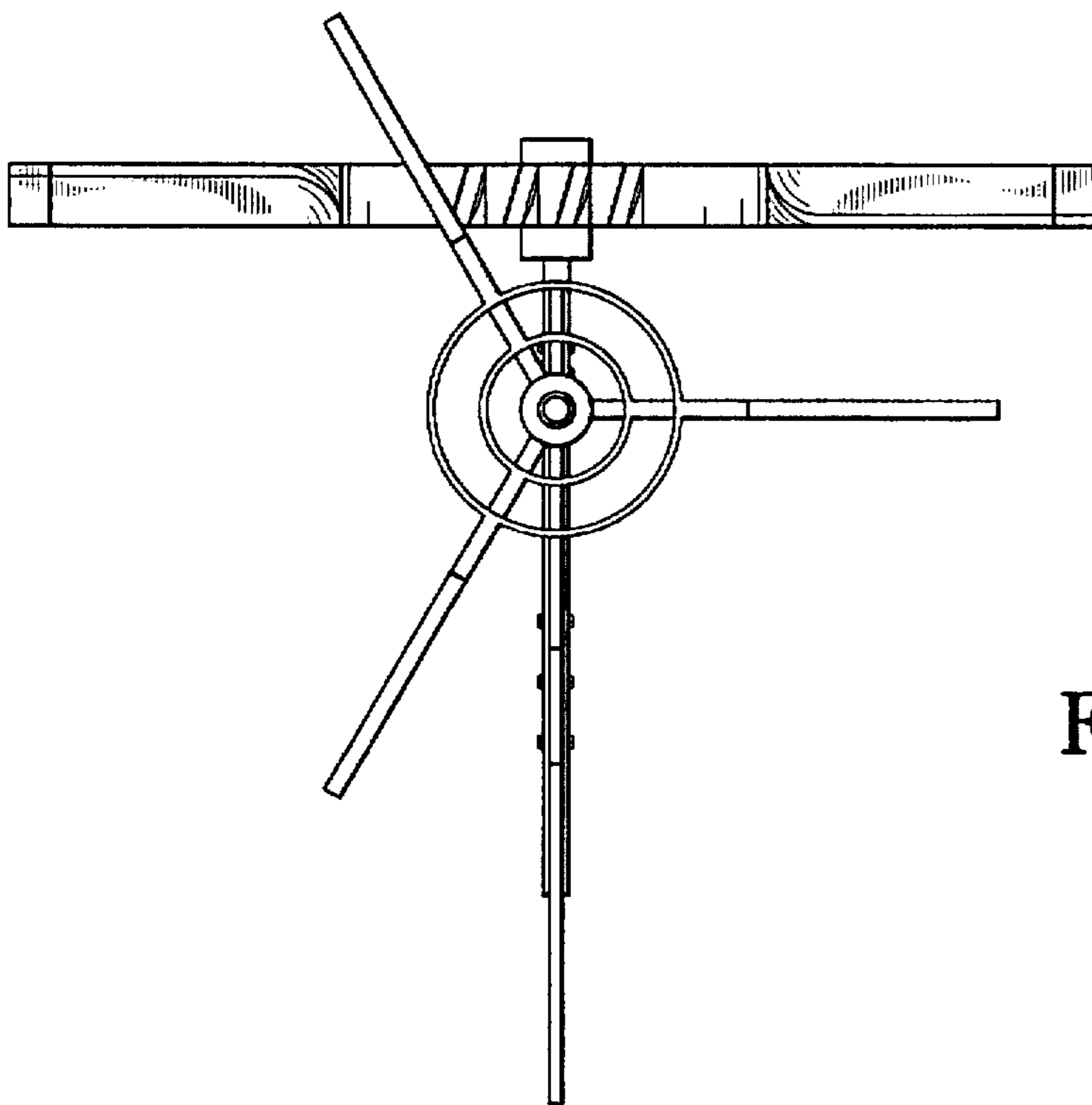


Fig. 3

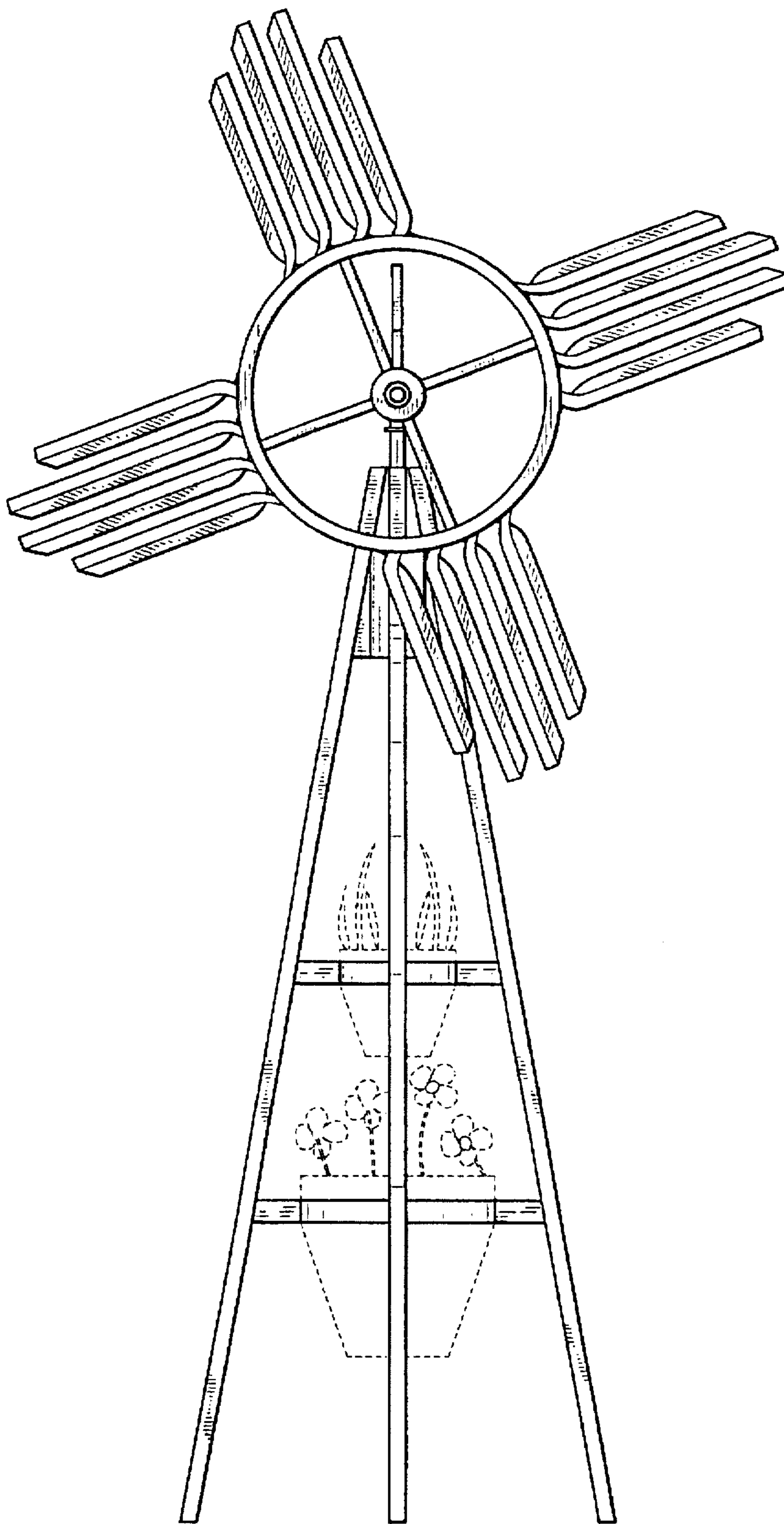


Fig. 4

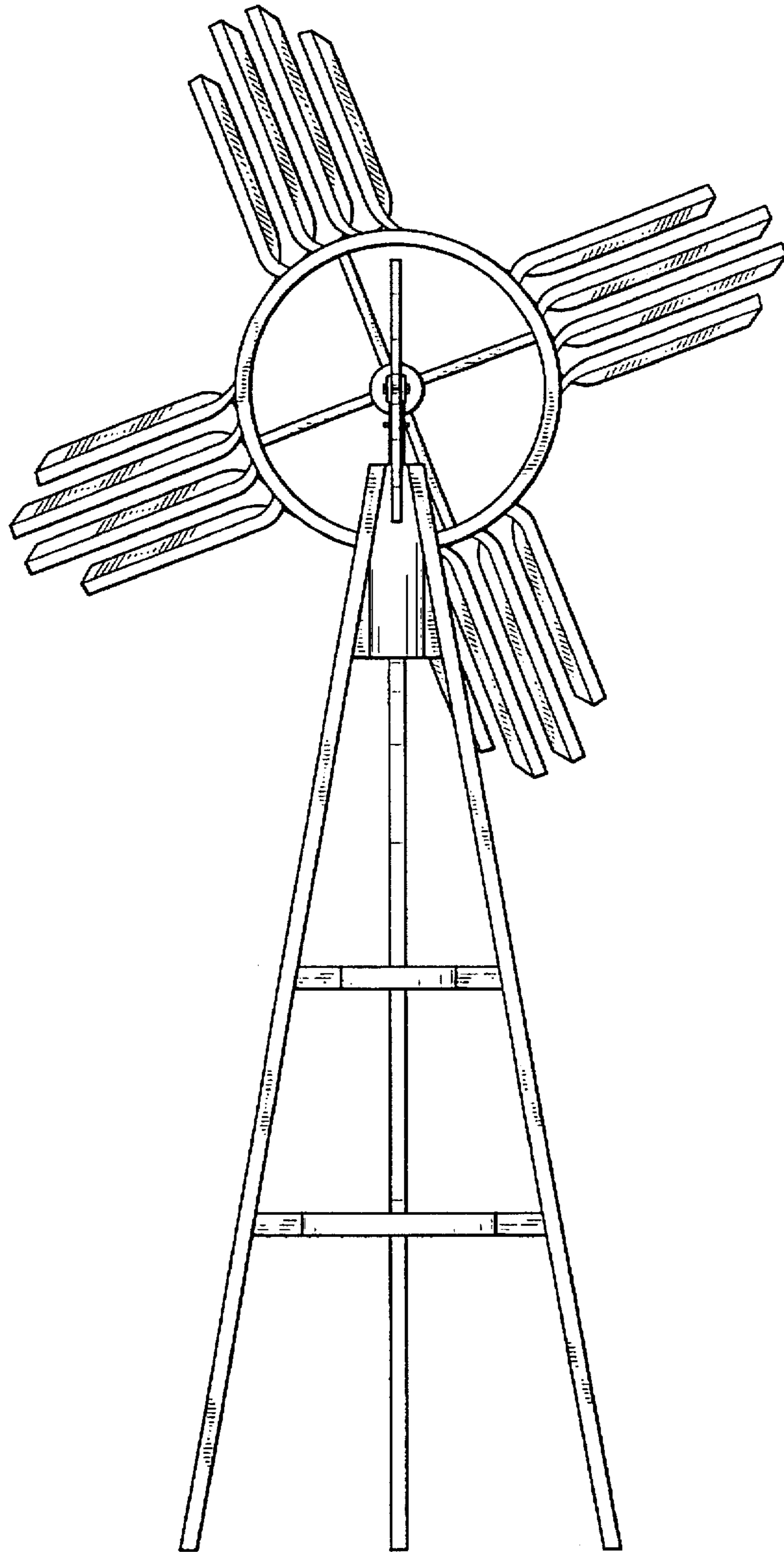


Fig. 5

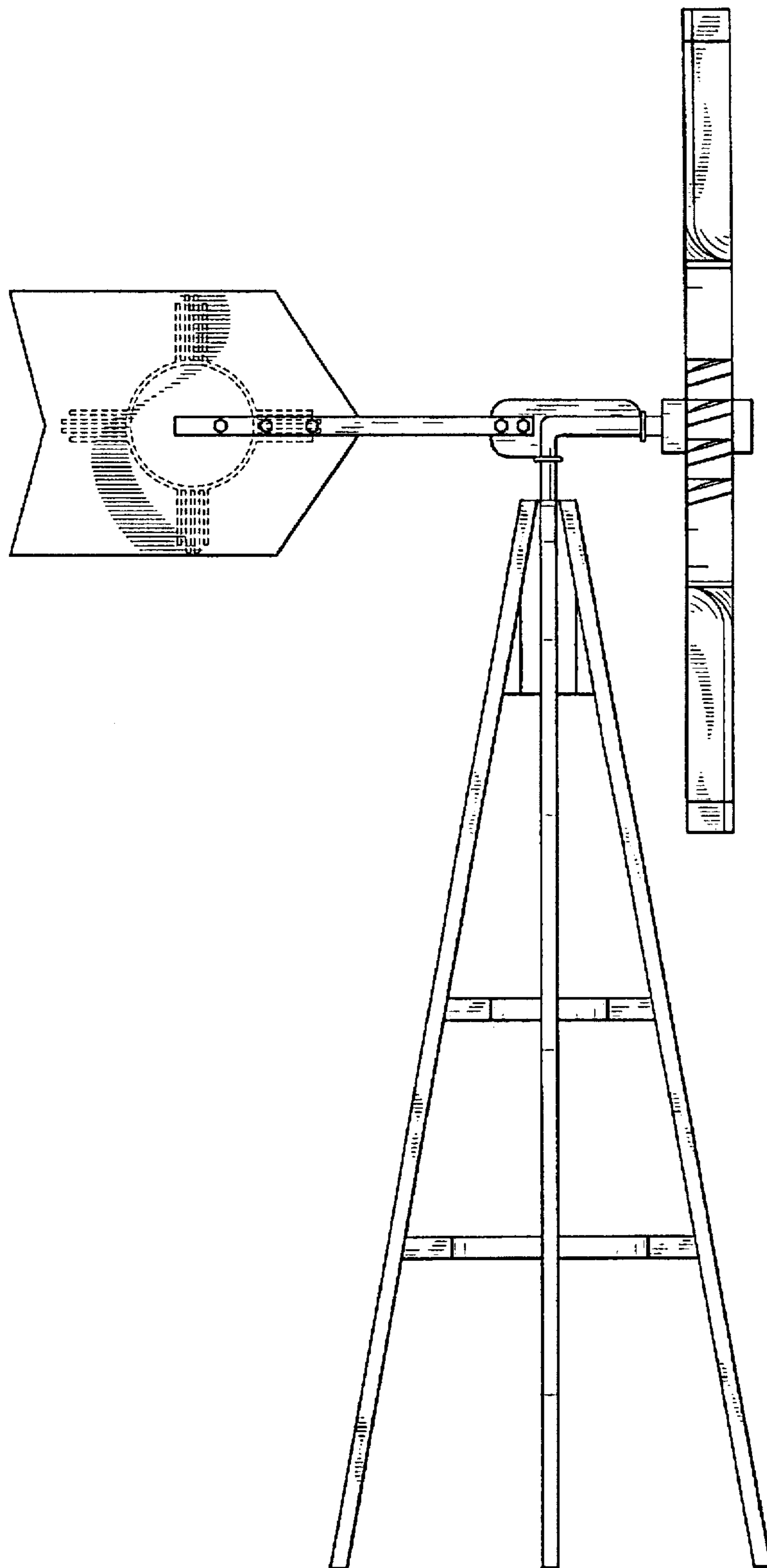


Fig. 6