



US00D386983S

United States Patent [19]
Houlihan

[11] **Patent Number: Des. 386,983**
[45] **Date of Patent: **Dec. 2, 1997**

[54] **WATCH**
[75] **Inventor: John T. Houlihan, Southbury, Conn.**
[73] **Assignee: Timex Corporation, Middlebury, Conn.**
[**] **Term: 14 Years**
[21] **Appl. No.: 63,912**
[22] **Filed: Dec. 18, 1996**
[51] **LOC (6) Cl. 10-02**
[52] **U.S. Cl. D10/38; D10/30; D10/38**
[58] **Field of Search D10/1-40, 122-132;**
368/280-282, 276-277, 285

D. 364,817 12/1995 Morishima D10/39
4,982,388 1/1991 Erard 368/223

OTHER PUBLICATIONS

Hong Kong Enterprises—Jan. 1986—p. 20—Watches at bottom-center.

Primary Examiner—Nelson J. Holtje
Attorney, Agent, or Firm—Paul R. Juhasz

[57] **CLAIM**

The ornamental design for a “watch”, as shown and described.

DESCRIPTION

FIG. 1 is a perspective elevational view of a “watch”;
FIG. 2 is a left elevational view thereof;
FIG. 3 is a top plan view thereof;
FIG. 4 is a right elevational view thereof;
FIG. 5 is an end elevational view thereof; and,
FIG. 6 is the other end elevational view thereof; and,
FIG. 7 is a bottom plan view thereof.

1 Claim, 2 Drawing Sheets

[56] **References Cited**

U.S. PATENT DOCUMENTS

D. 329,388 9/1992 Takahashi D10/30
D. 339,748 9/1993 Choi D10/32
D. 346,974 5/1994 Houlihan D10/38
D. 360,369 7/1995 Wong D10/38
D. 364,572 11/1995 Goto D10/39

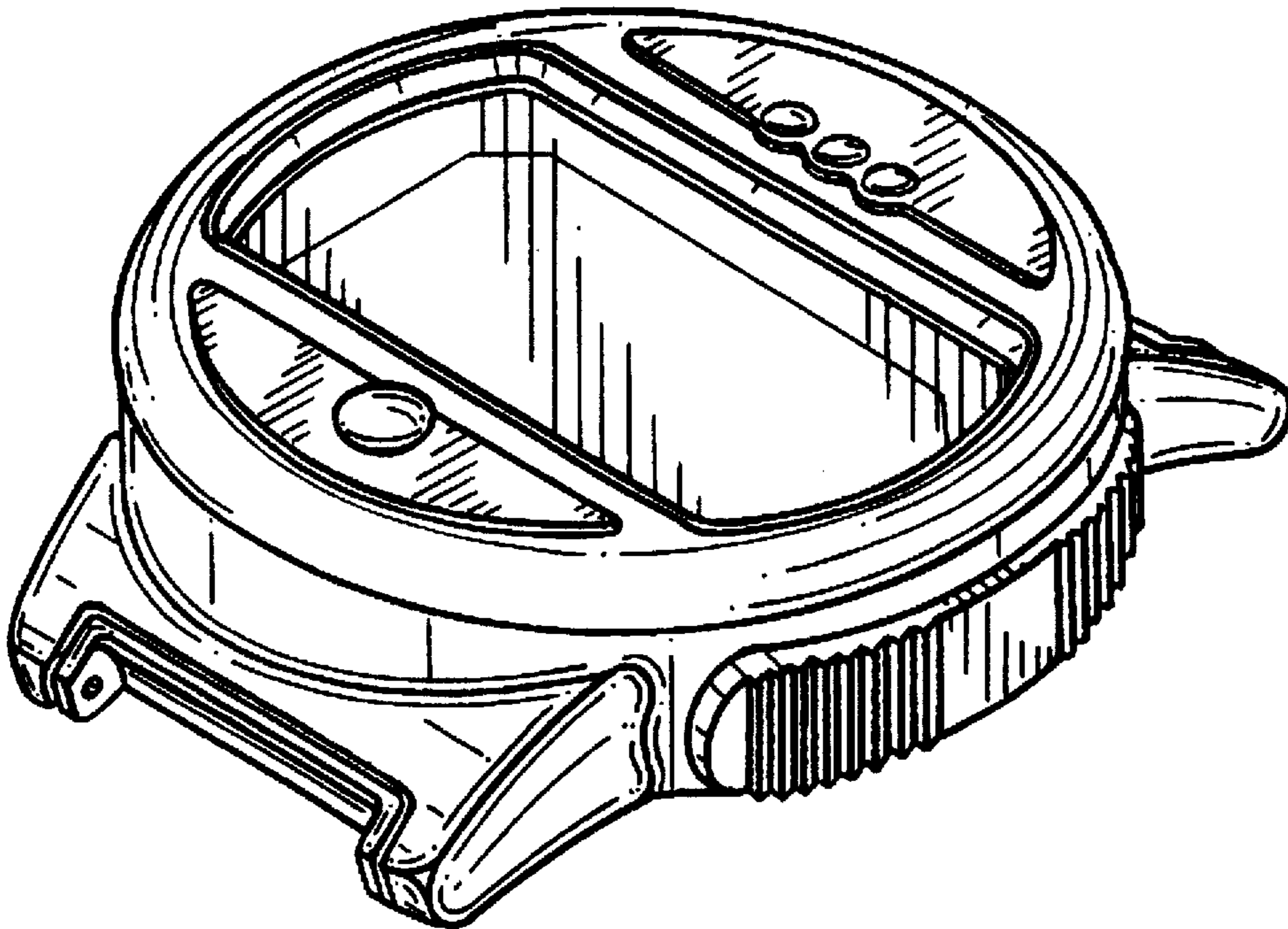


FIG. 1

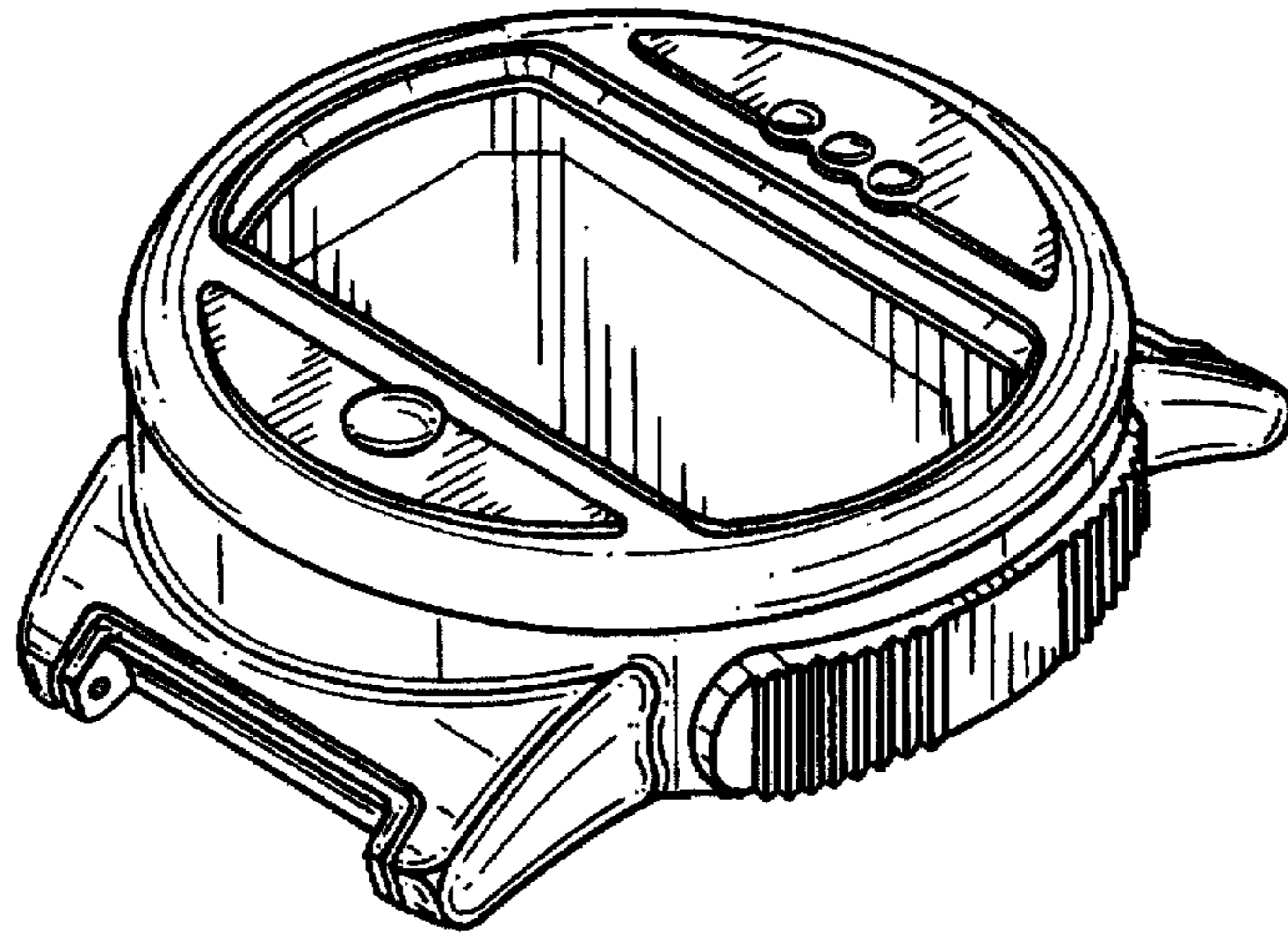


FIG. 7

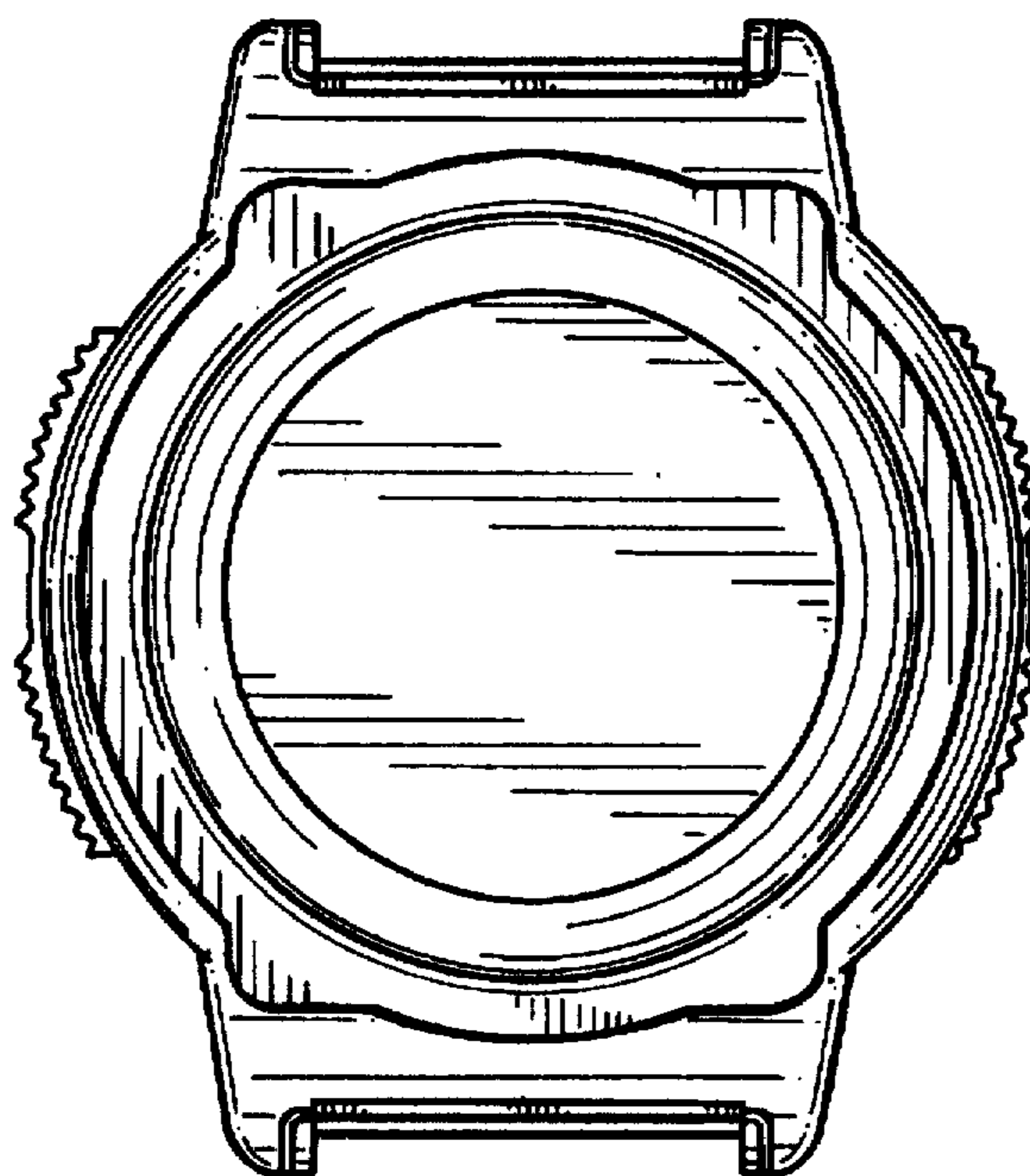


FIG. 2

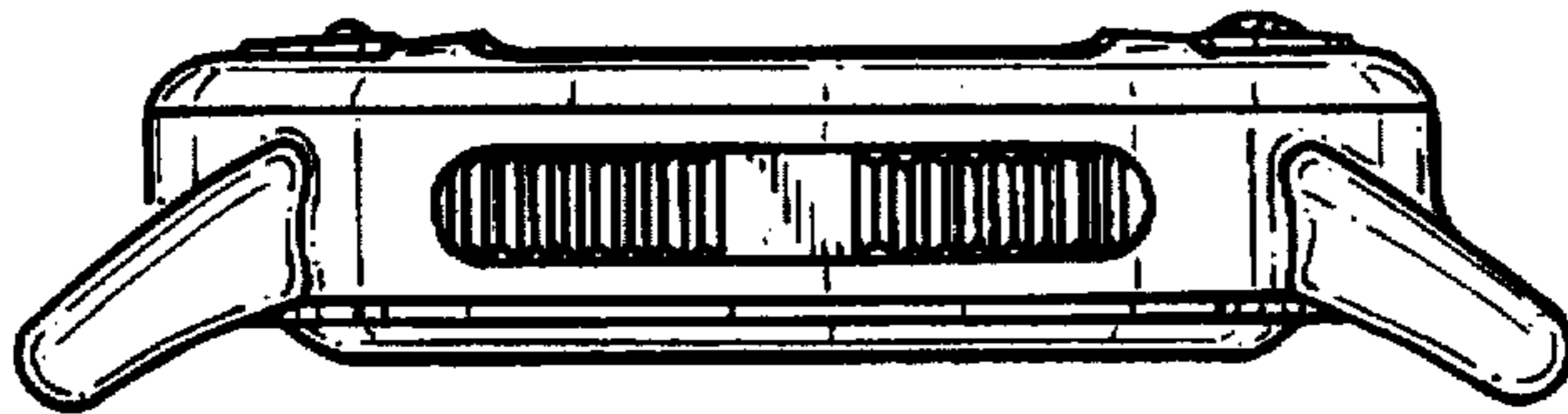


FIG. 3

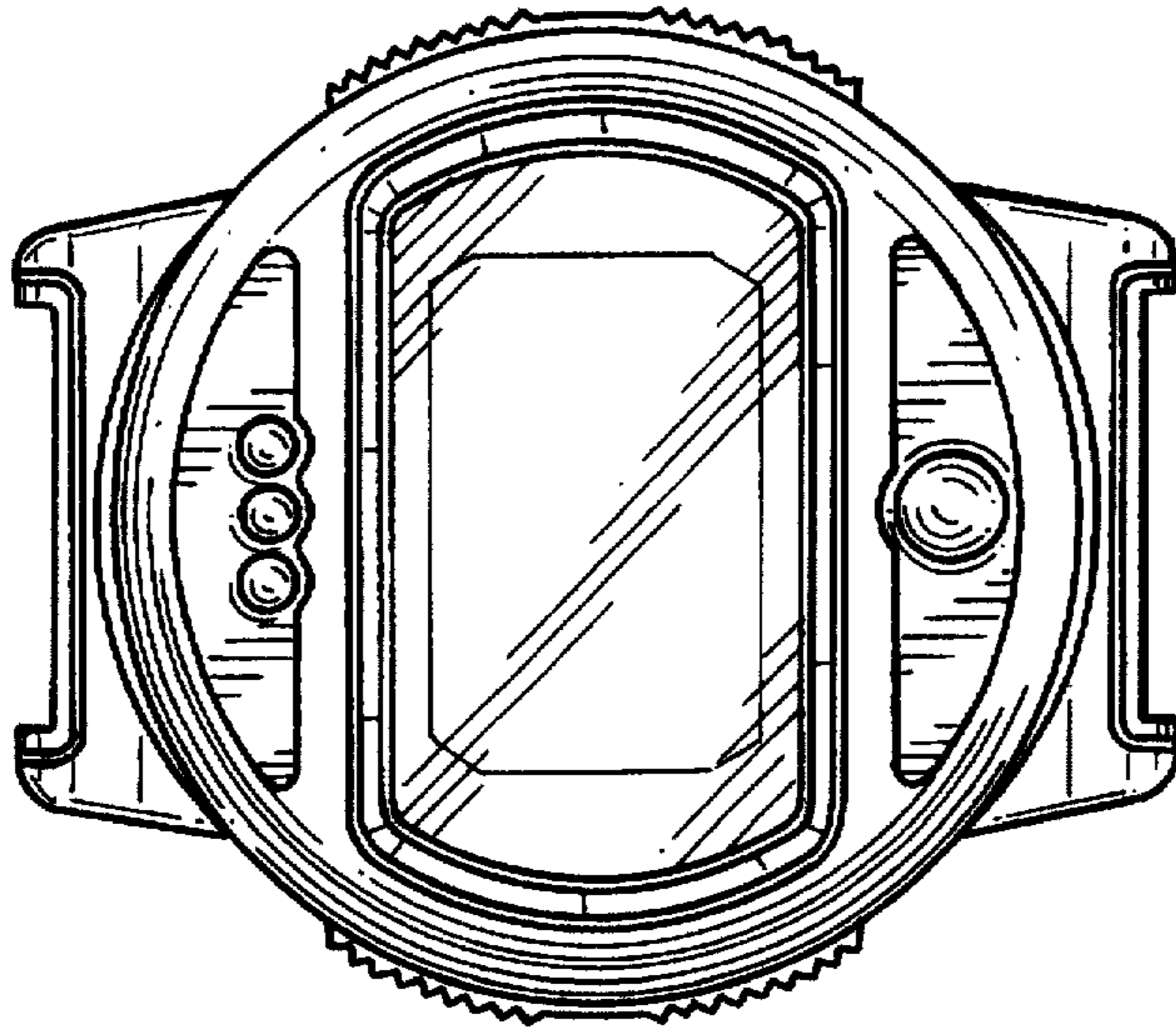


FIG. 4

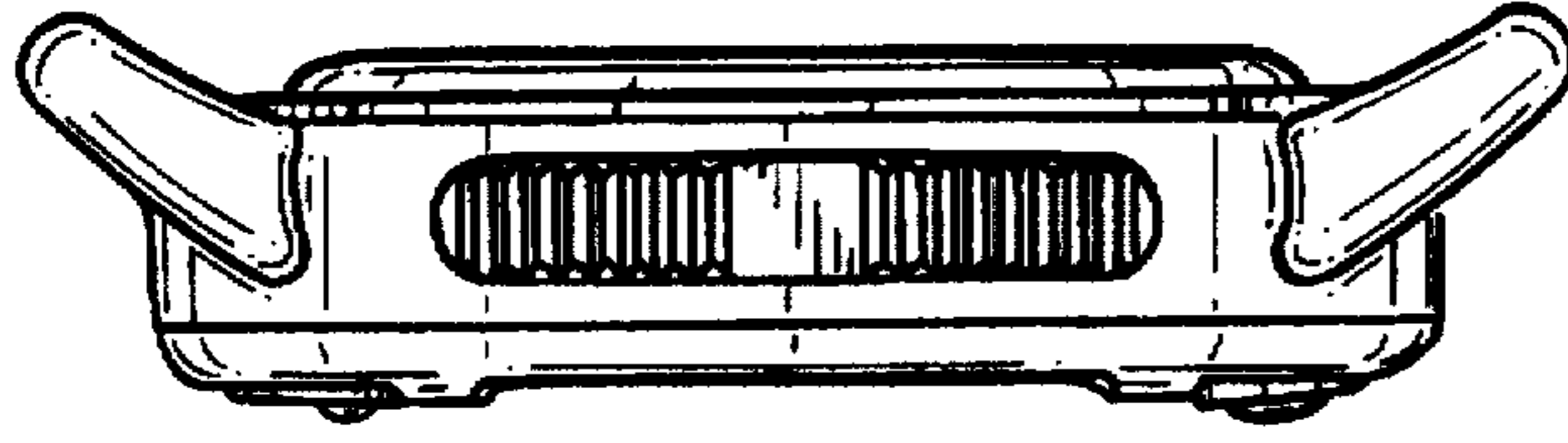


FIG. 5

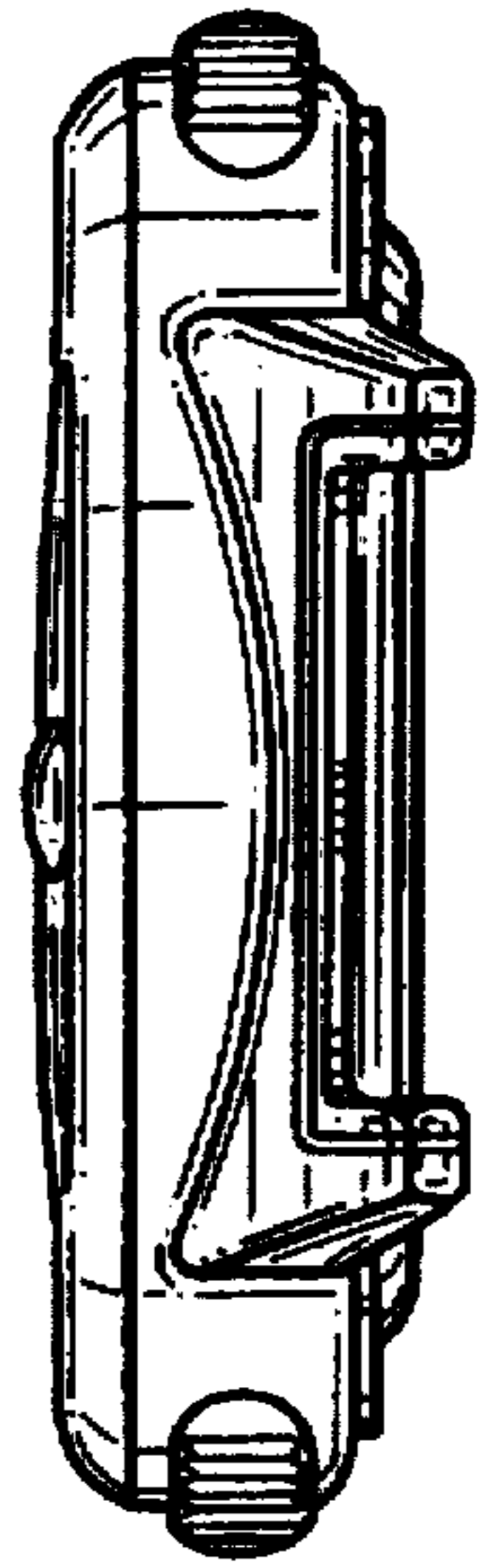


FIG. 6

