



US00D386967S

United States Patent [19]

[11] Patent Number: **Des. 386,967**

Alarcón

[45] Date of Patent: ****Dec. 2, 1997**

[54] **TABLET PACKAGE**

D. 348,833	7/1994	Gulliver	D9/416
704,558	7/1902	Miller	206/215
2,019,802	11/1935	Sproull	206/449 X
2,955,000	10/1960	Vohden	206/215 X

[75] Inventor: **Juan José Raúl Zuñiga Alarcón,**
Saltillo, Mexico

[73] Assignee: **Products Industrializados de Saltillo,**
S. de R.L. de C.V., Mexico

[**] Term: **14 Years**

Primary Examiner—Prabhakar G. Deshmukh
Assistant Examiner—Nanda Bondade
Attorney, Agent, or Firm—Pravel, Hewitt, Kimball & Krieger

[21] Appl. No.: **59,304**

[57] **CLAIM**

[22] Filed: **Sep. 6, 1996**

The ornamental design for a tablet package, as shown and described.

[30] **Foreign Application Priority Data**

DESCRIPTION

Apr. 22, 1996 [MX] Mexico 96386

FIG. 1 is an isometric view of the tablet package according to the present invention in an open position;
FIG. 2 is another isometric view of the tablet package of FIG. 1 in a closed position;
FIG. 3 is a top plan view thereof;
FIG. 4 is a front elevational view thereof;
FIG. 5 is a left side elevational view thereof;
FIG. 6 is a right side elevational view thereof;
FIG. 7 is a bottom plan view thereof; and,
FIG. 8 is a rear elevational view thereof.

[51] LOC (6) Cl. **09-07**

[52] U.S. Cl. **D9/432**

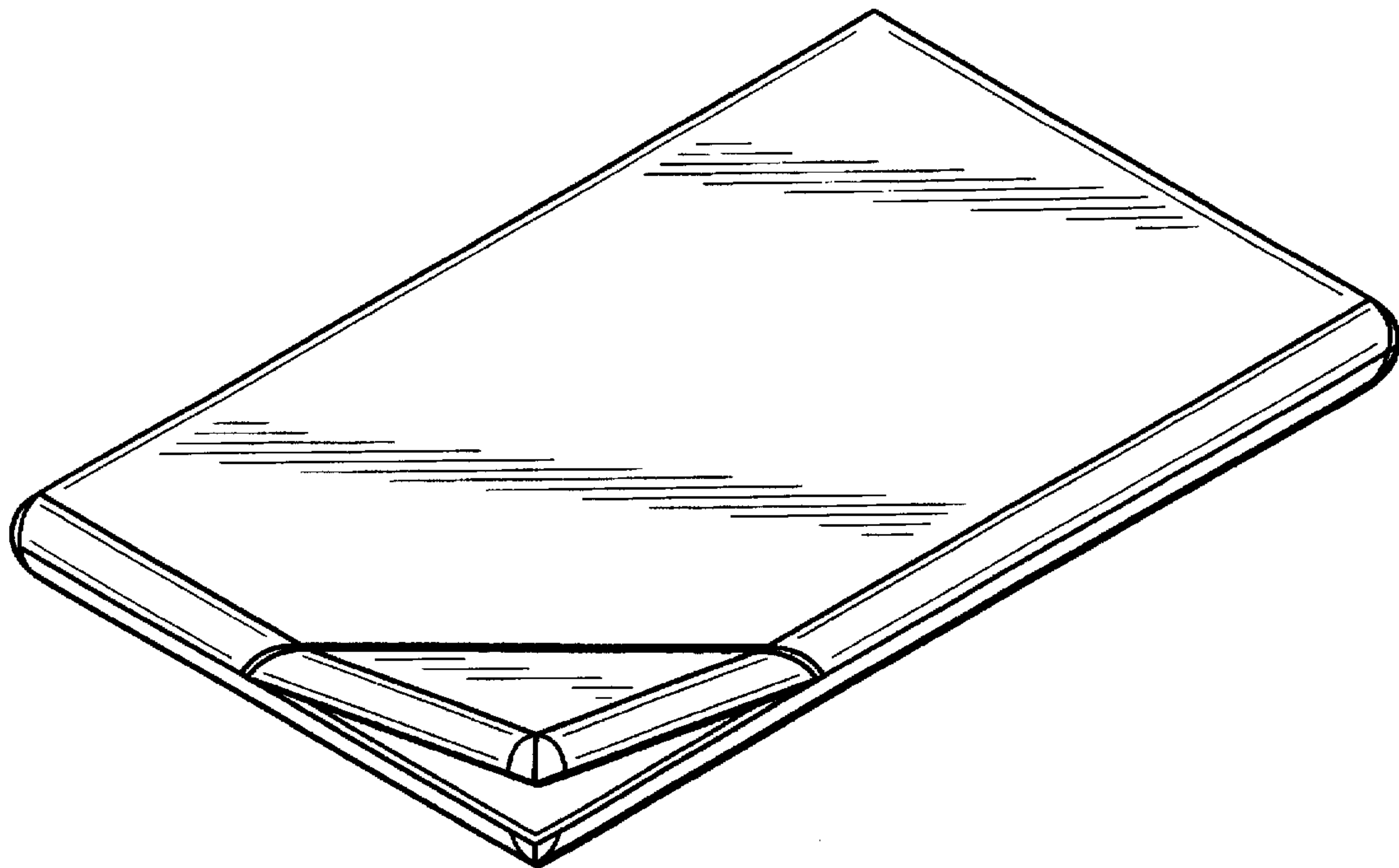
[58] Field of Search D9/414-418, 420-424,
D9/432; 220/281, 284; 206/215, 449

[56] **References Cited**

U.S. PATENT DOCUMENTS

D. 48,897	4/1916	Hubbard, Jr.	D9/423
D. 137,807	5/1944	Dugdale	D9/432
D. 319,727	9/1991	Kitada	D9/432 X

1 Claim, 2 Drawing Sheets



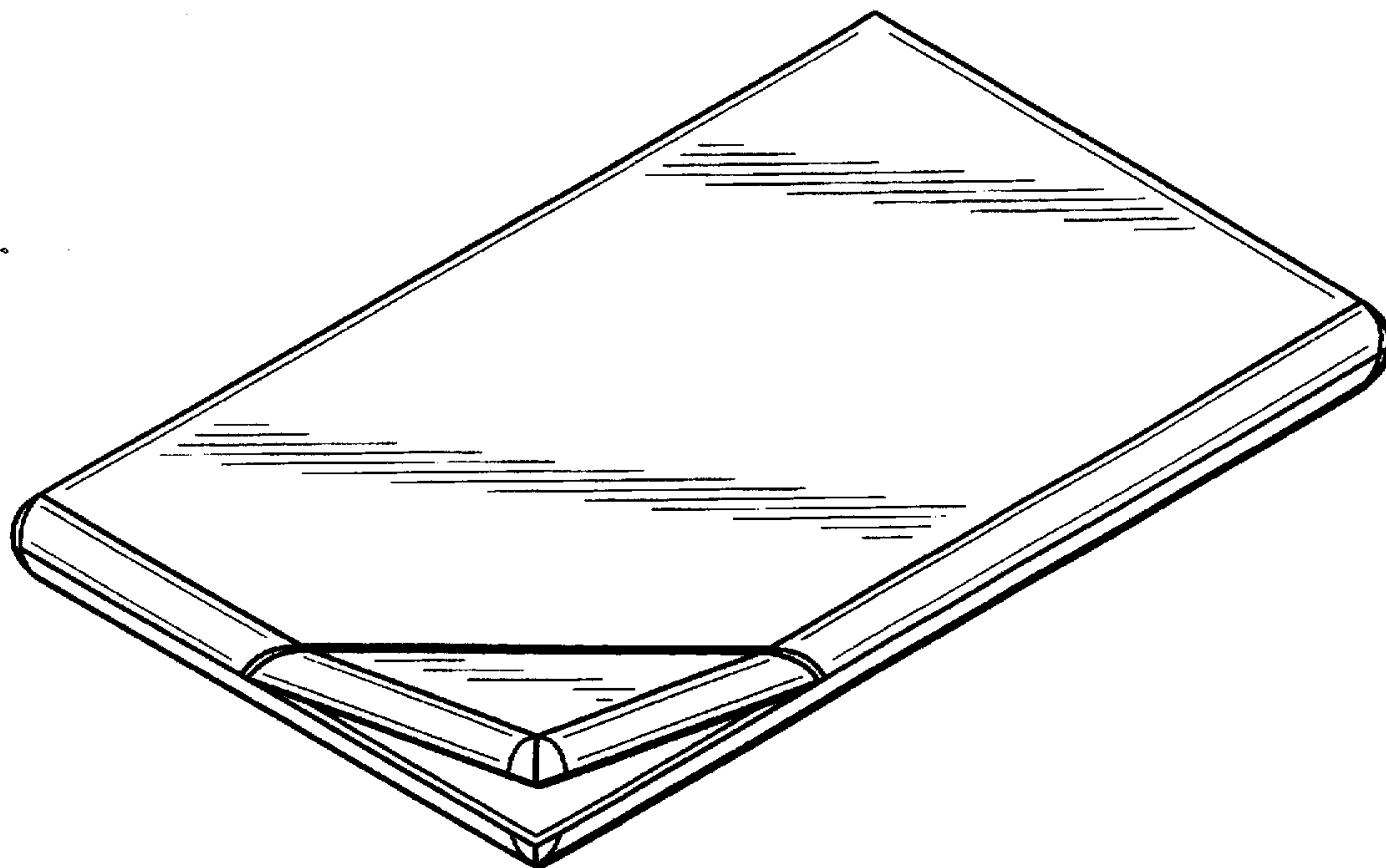


FIG. 1

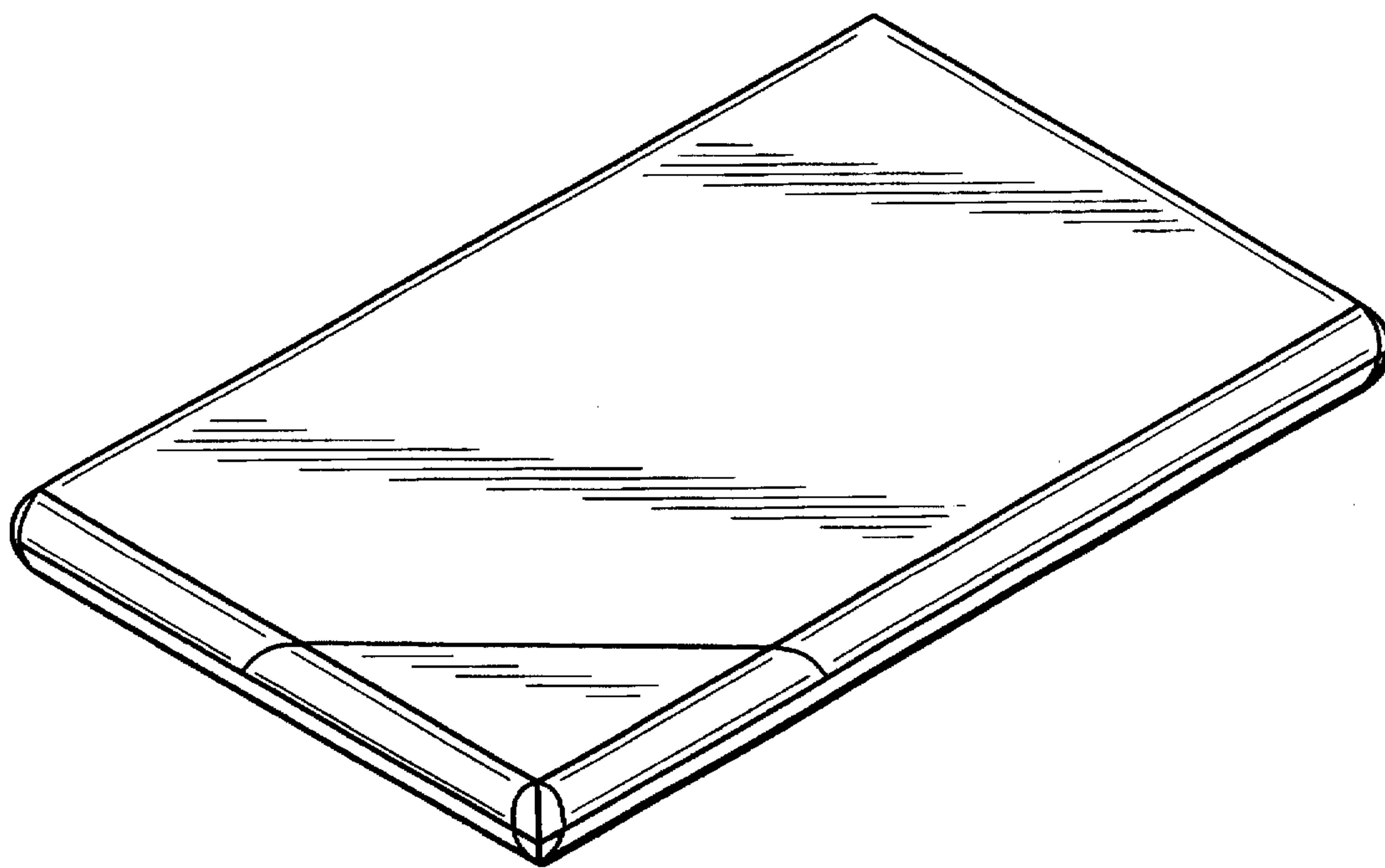


FIG. 2



FIG. 5

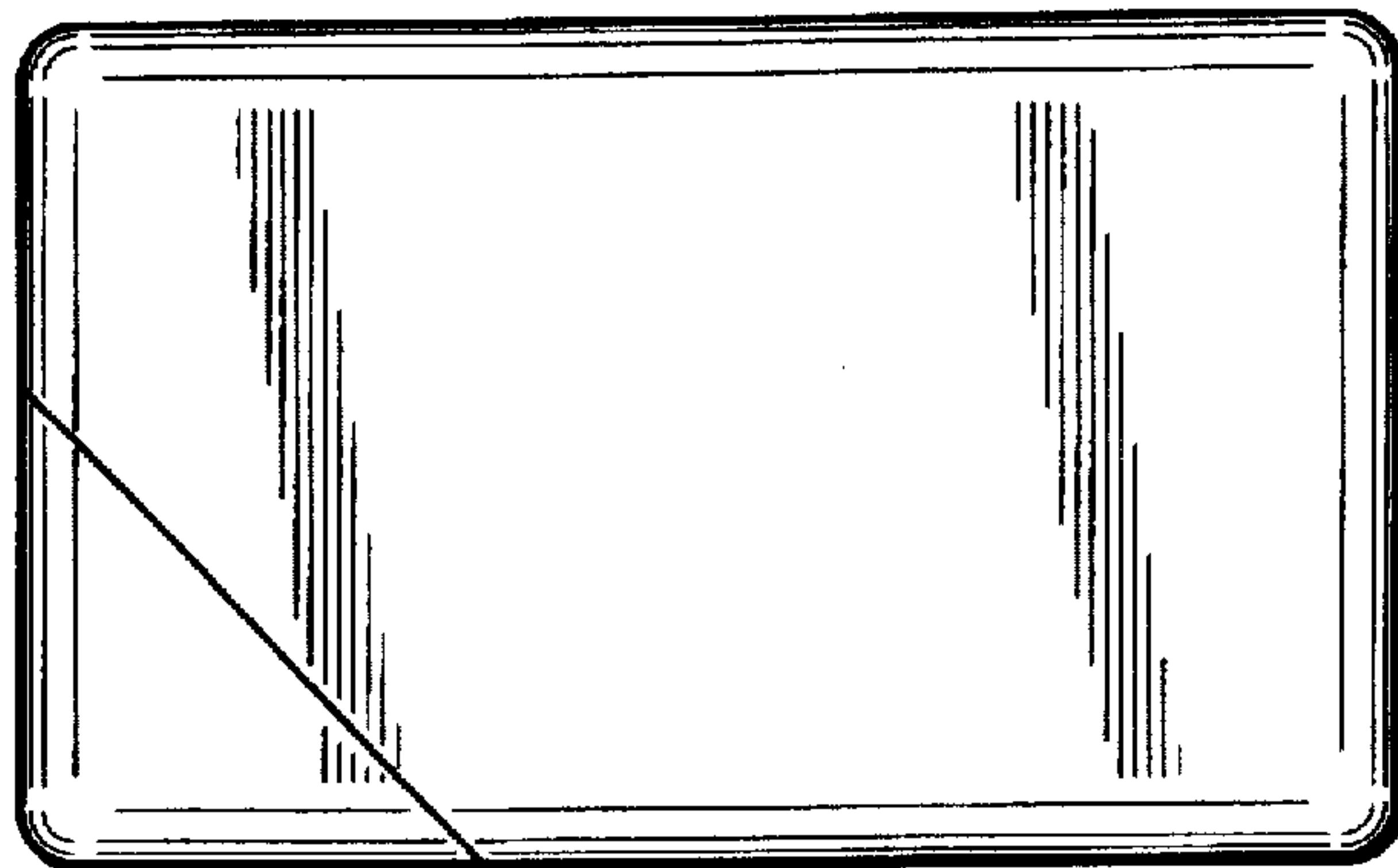


FIG. 3



FIG. 6

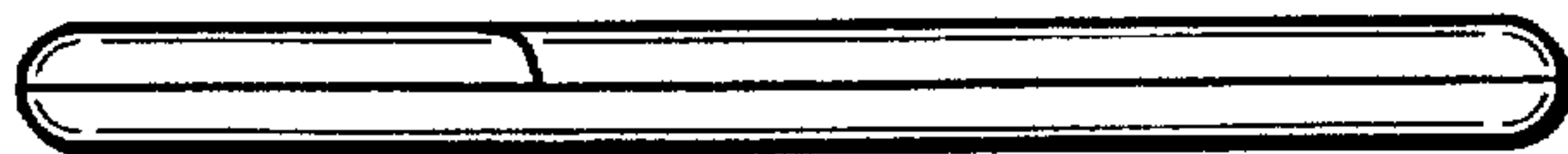


FIG. 4

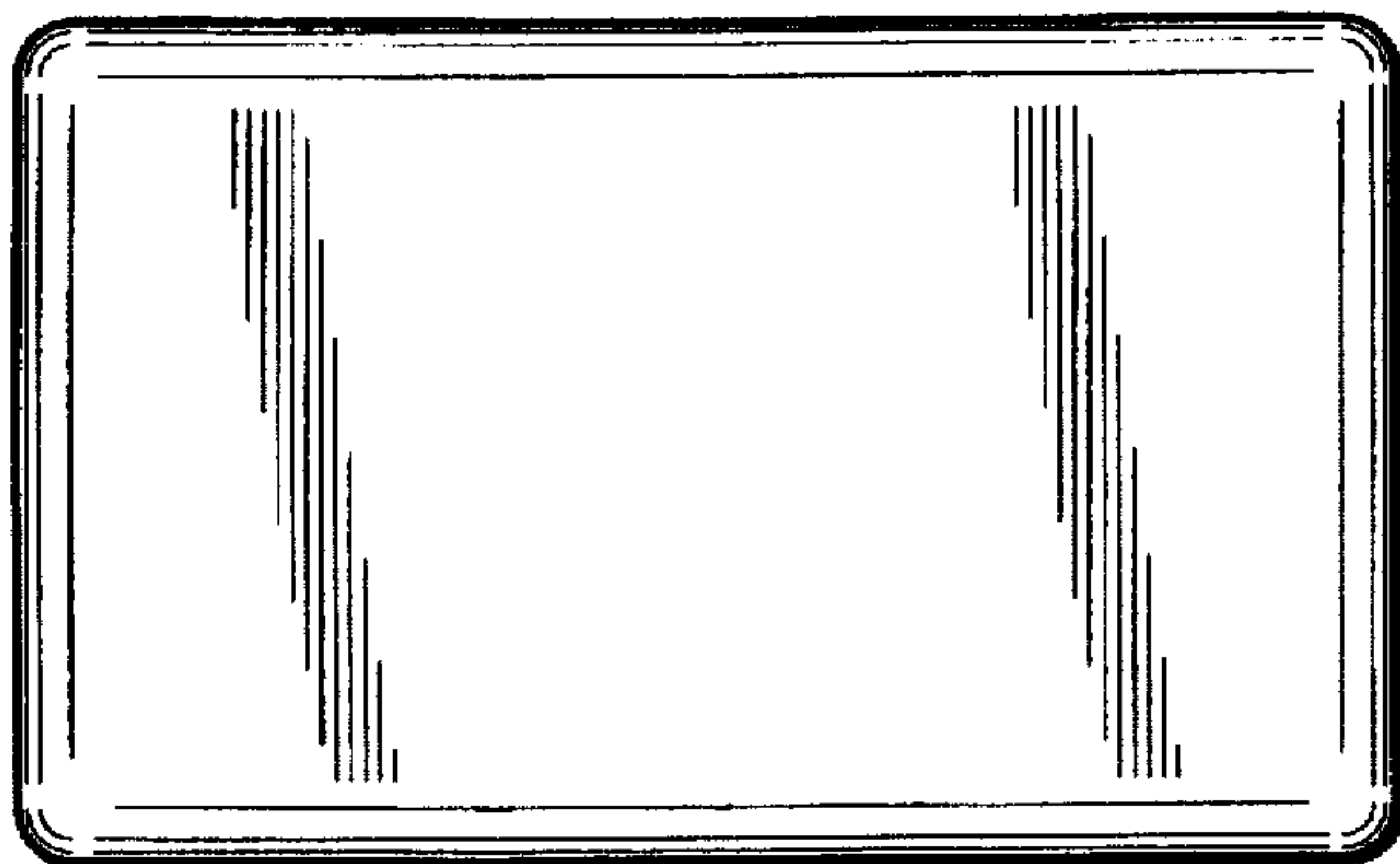


FIG. 7

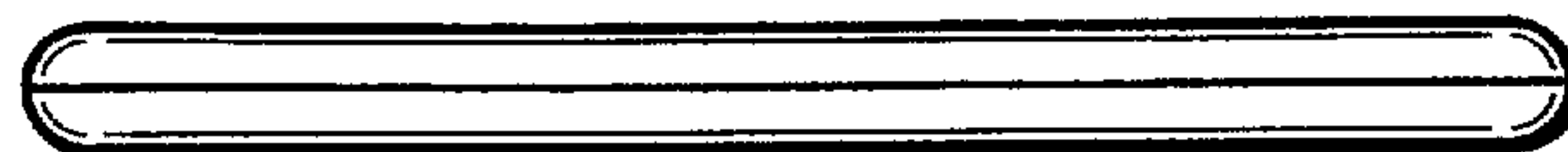


FIG. 8