



US00D386966S

# United States Patent [19]

[11] Patent Number: **Des. 386,966**

Seelig

[45] Date of Patent: **\*\*Dec. 2, 1997**

[54] **DISPLAY PACKAGING**

4,691,820 9/1987 Martinez ..... 206/461 X  
5,292,003 3/1994 Baghdassarian ..... 206/471 X

[75] Inventor: **Barry G. Seelig**, New York, N.Y.

### OTHER PUBLICATIONS

[73] Assignee: **Ergovision, Inc.**, Plainview, N.Y.

Techform, Inc. Nov. 1982.  
Modern Packaging, 1941, p. 300.

[\*\*] Term: **14 Years**

*Primary Examiner*—Prabhakar G. Deshmukh

[21] Appl. No.: **61,811**

### [57] CLAIM

[22] Filed: **Oct. 31, 1996**

The ornamental design for display packaging, as shown and described.

[51] **LOC (6) Cl.** ..... **09-07**

[52] **U.S. Cl.** ..... **D9/415**

[58] **Field of Search** ..... D9/415, 418, 414,  
D9/337; 206/461-471, 495, 806, 5, 5.1,  
6

### DESCRIPTION

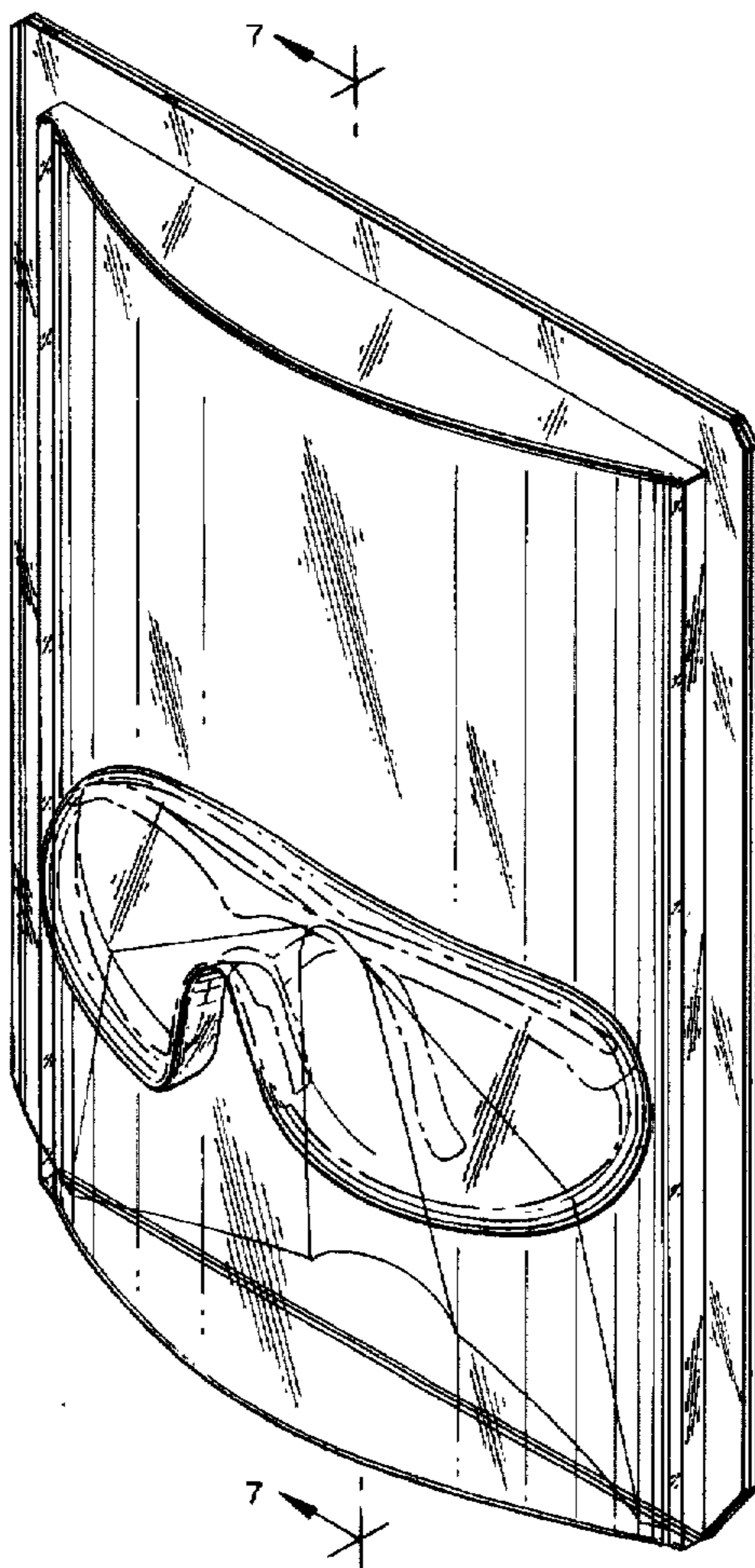
### [56] References Cited

FIG. 1 is a perspective view of a display packaging showing my new design;  
FIG. 2 is a front elevational view thereof;  
FIG. 3 is a top plan view thereof;  
FIG. 4 is a bottom plan view thereof;  
FIG. 5 is a left side elevational view thereof; the right side elevational being a mirror image thereof;  
FIG. 6 is a rear elevational view thereof; and,  
FIG. 7 is a sectional elevational view thereof; taken along line 7—7 of FIG. 1.

#### U.S. PATENT DOCUMENTS

D. 289,737	5/1987	Lindsey et al. ....	D9/415
D. 291,064	7/1987	Haber et al. ....	D9/415
D. 298,742	11/1988	Didia ..... ..	D9/415
D. 328,249	7/1992	Lee ..... ..	D9/415
D. 344,019	2/1994	Pratt ..... ..	D9/415
3,395,788	8/1968	Gill ..... ..	D9/415 X
4,669,610	6/1987	Lindsey et al. ....	206/471 X

**1 Claim, 6 Drawing Sheets**



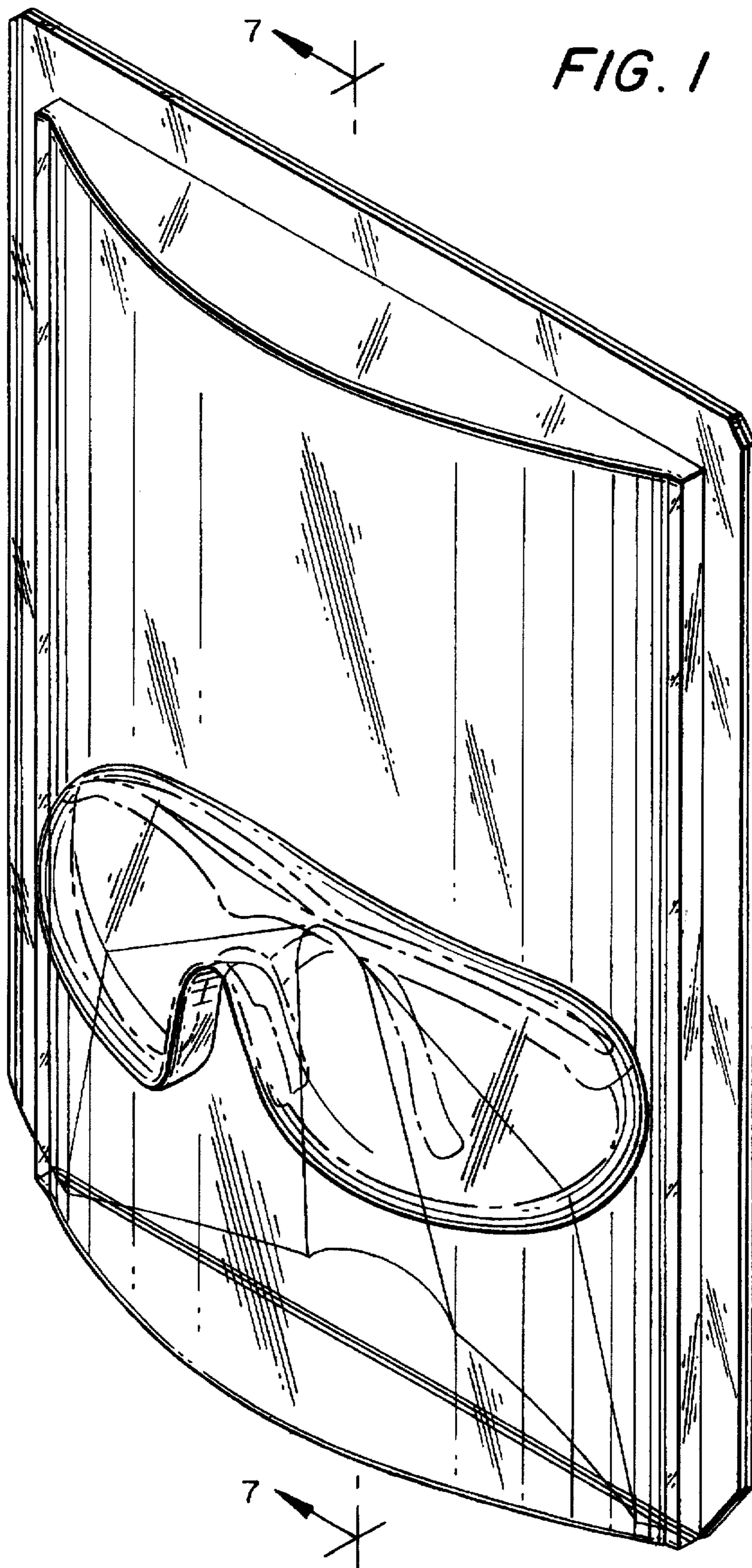


FIG. 2

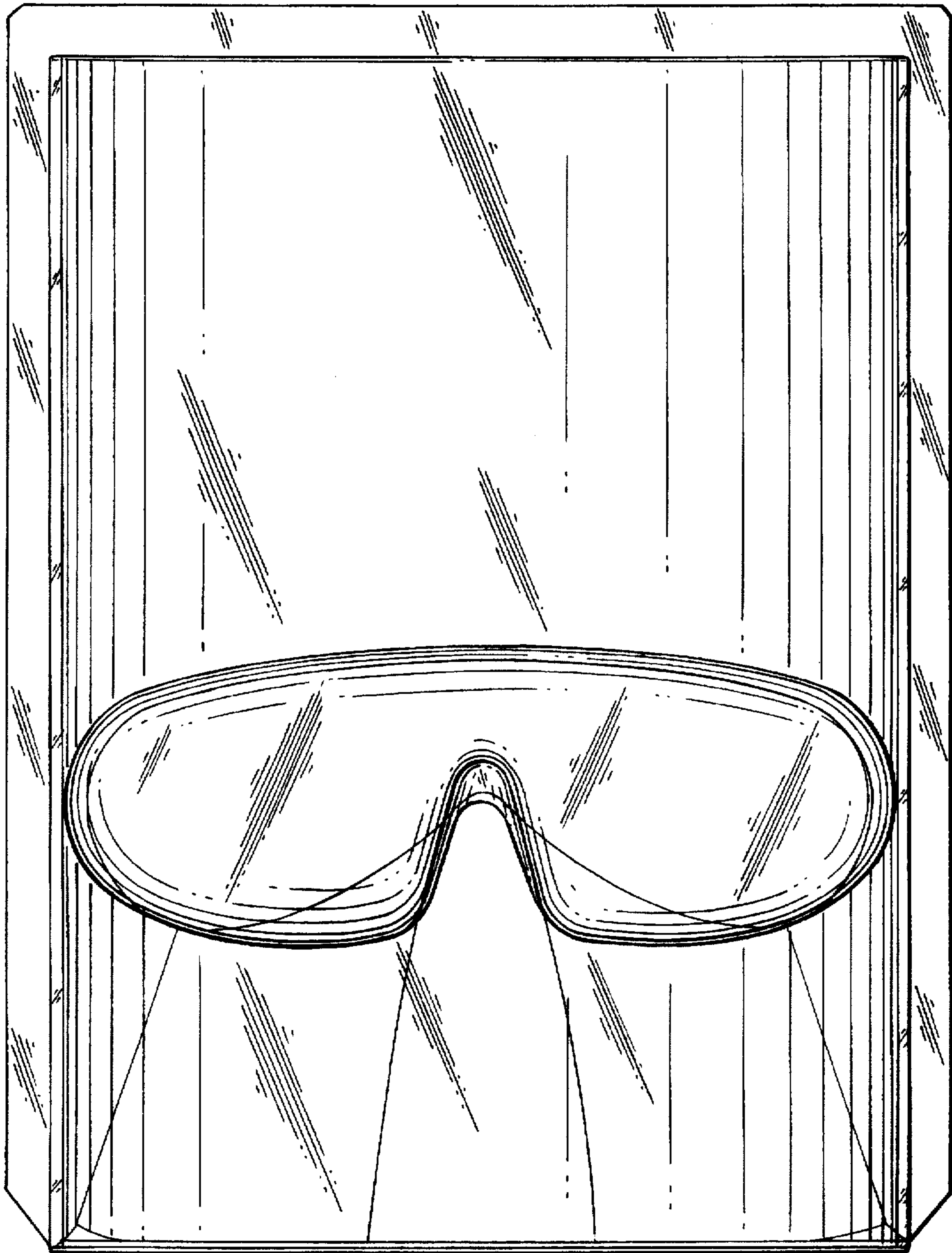




FIG. 3

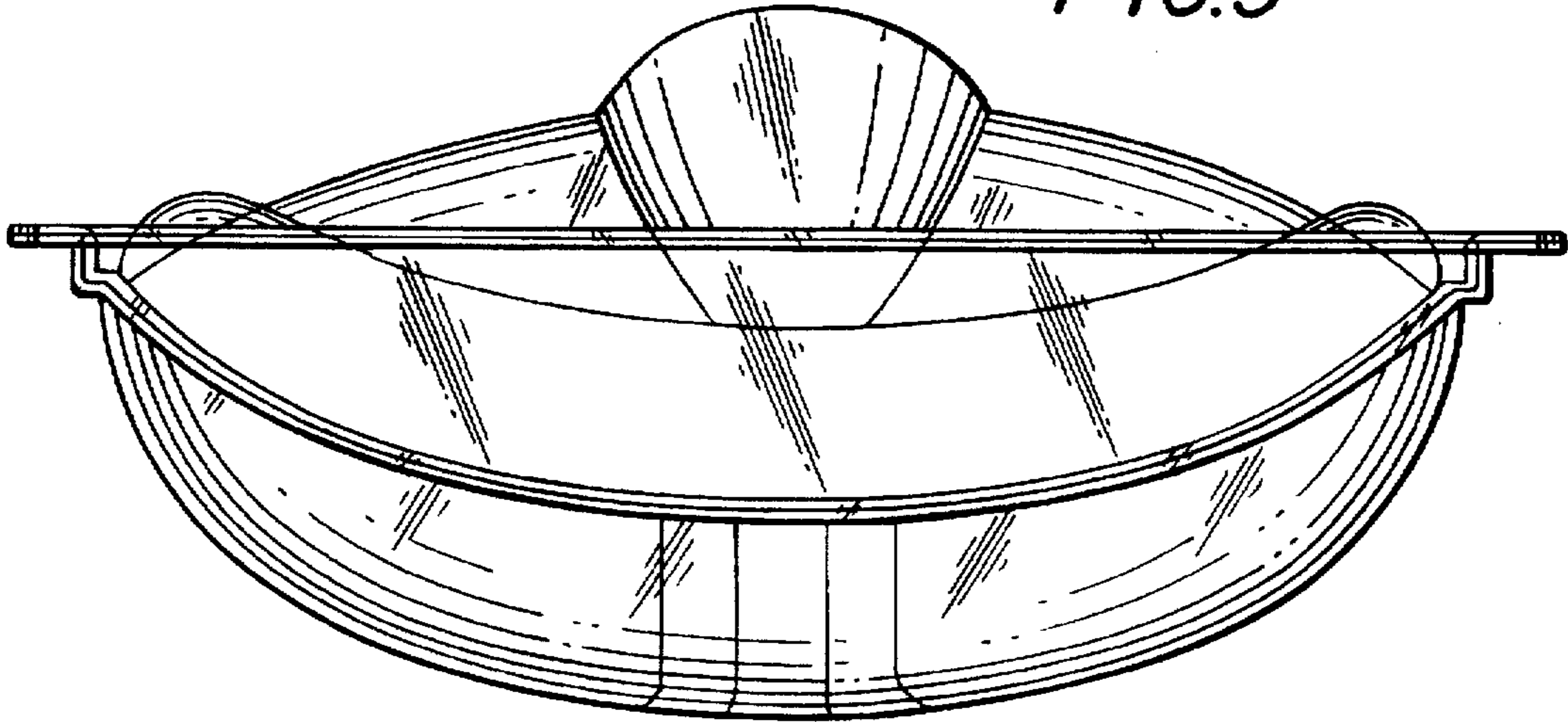
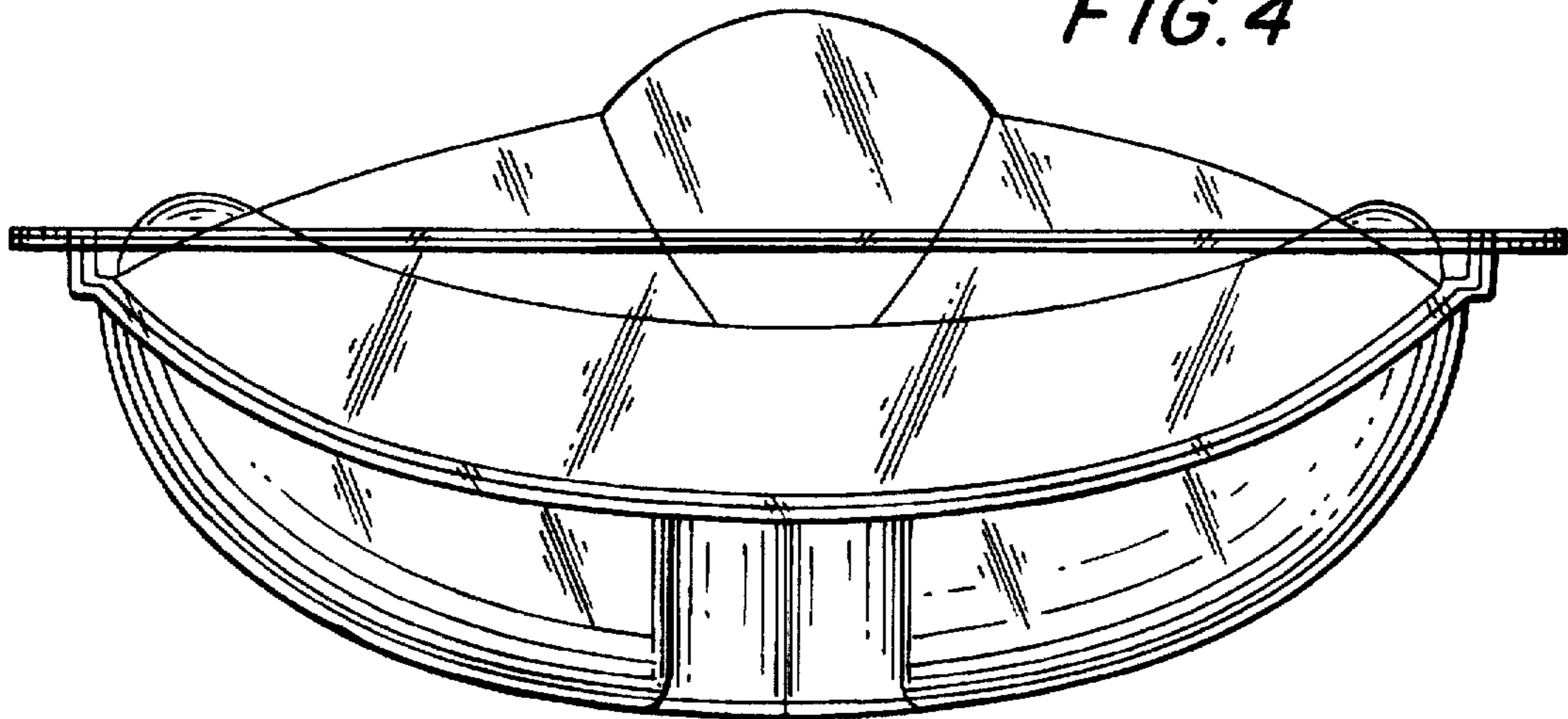


FIG. 4



*FIG. 5*

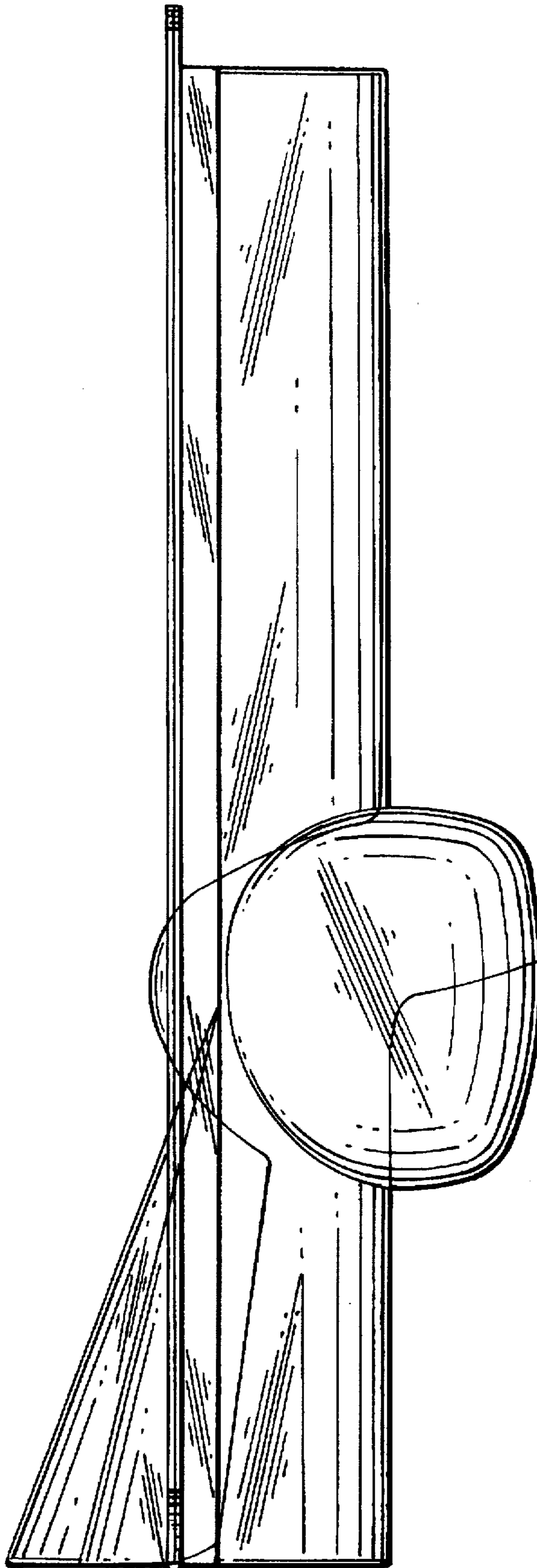
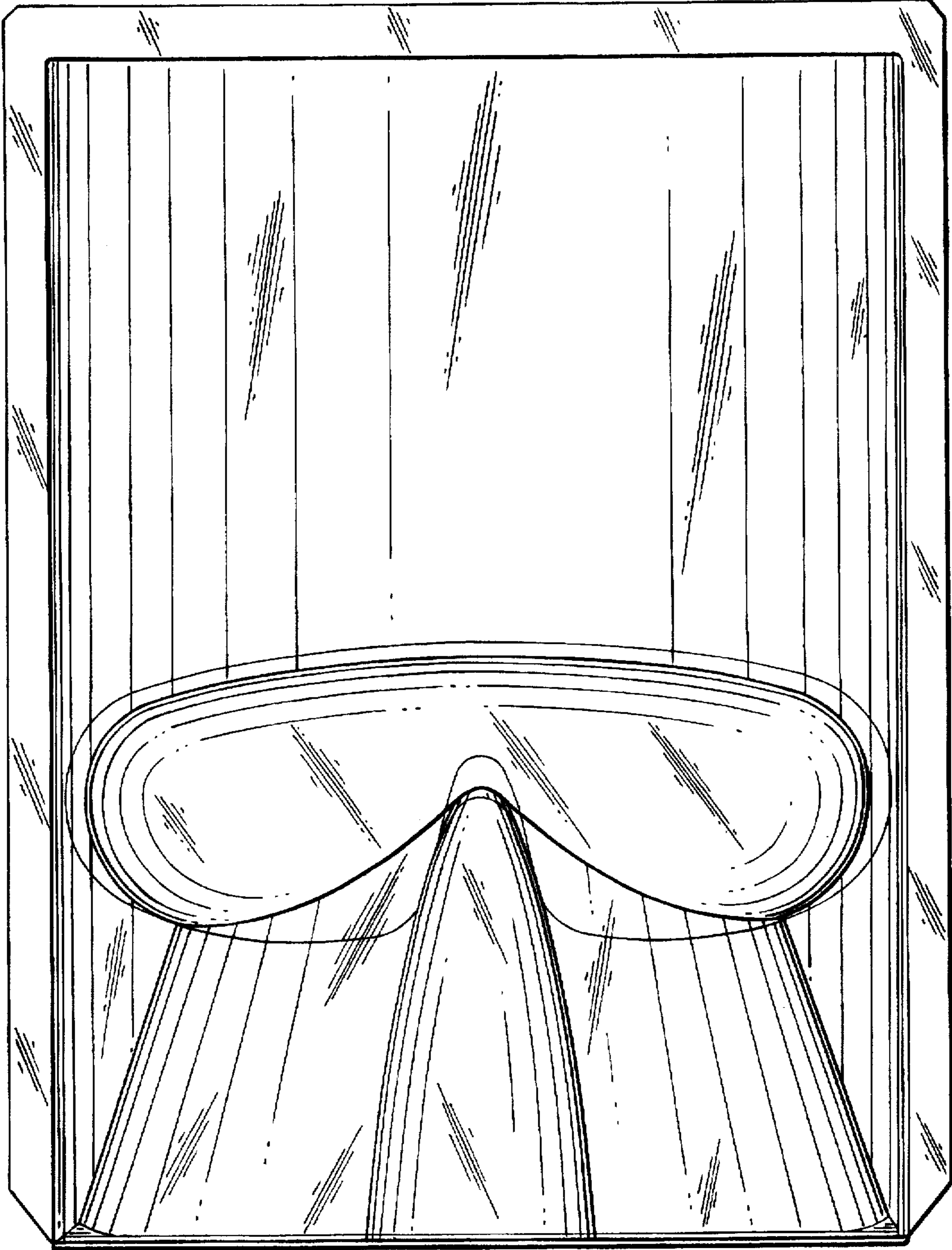


FIG. 6



*FIG. 7*

