



US00D386959S

**United States Patent** [19]  
**Okada**

[11] **Patent Number:** **Des. 386,959**  
[45] **Date of Patent:** **\*\*Dec. 2, 1997**

[54] **RETRACTABLE KNIFE**

[75] **Inventor:** **Shoji Okada**, Osaka, Japan  
[73] **Assignee:** **Olfa Kabushiki Kaisha**, Japan  
[\*\*] **Term:** **14 Years**

[21] **Appl. No.:** **57,418**  
[22] **Filed:** **Jul. 24, 1996**

[51] **LOC (6) Cl.** ..... **08-03**  
[52] **U.S. Cl.** ..... **D8/99**  
[58] **Field of Search** ..... D8/98, 99; 30/162,  
30/320, 329, 335, 337

[56] **References Cited**

**U.S. PATENT DOCUMENTS**

|            |         |                 |       |        |
|------------|---------|-----------------|-------|--------|
| D. 264,801 | 6/1982  | Osada           | ..... | D8/99  |
| D. 264,802 | 6/1982  | Osada           | ..... | D8/99  |
| D. 264,803 | 6/1982  | Machida         | ..... | D8/99  |
| D. 324,475 | 3/1992  | Staubitz et al. | ..... | D8/99  |
| D. 347,563 | 6/1994  | Okada           | ..... | D8/99  |
| D. 354,900 | 1/1995  | Hirai           | ..... | D8/99  |
| 4,226,020  | 10/1980 | Quenot et al.   | ..... | 30/162 |
| 5,269,063  | 12/1993 | Okada           | ..... | 30/320 |

**OTHER PUBLICATIONS**

"Olfa Catalogue", printed in Japan, Oct. 1994, Cat. No. 76.

*Primary Examiner*—Philip S. Hyder  
*Attorney, Agent, or Firm*—Ostrolenk, Faber, Gerb & Soffen, LLP

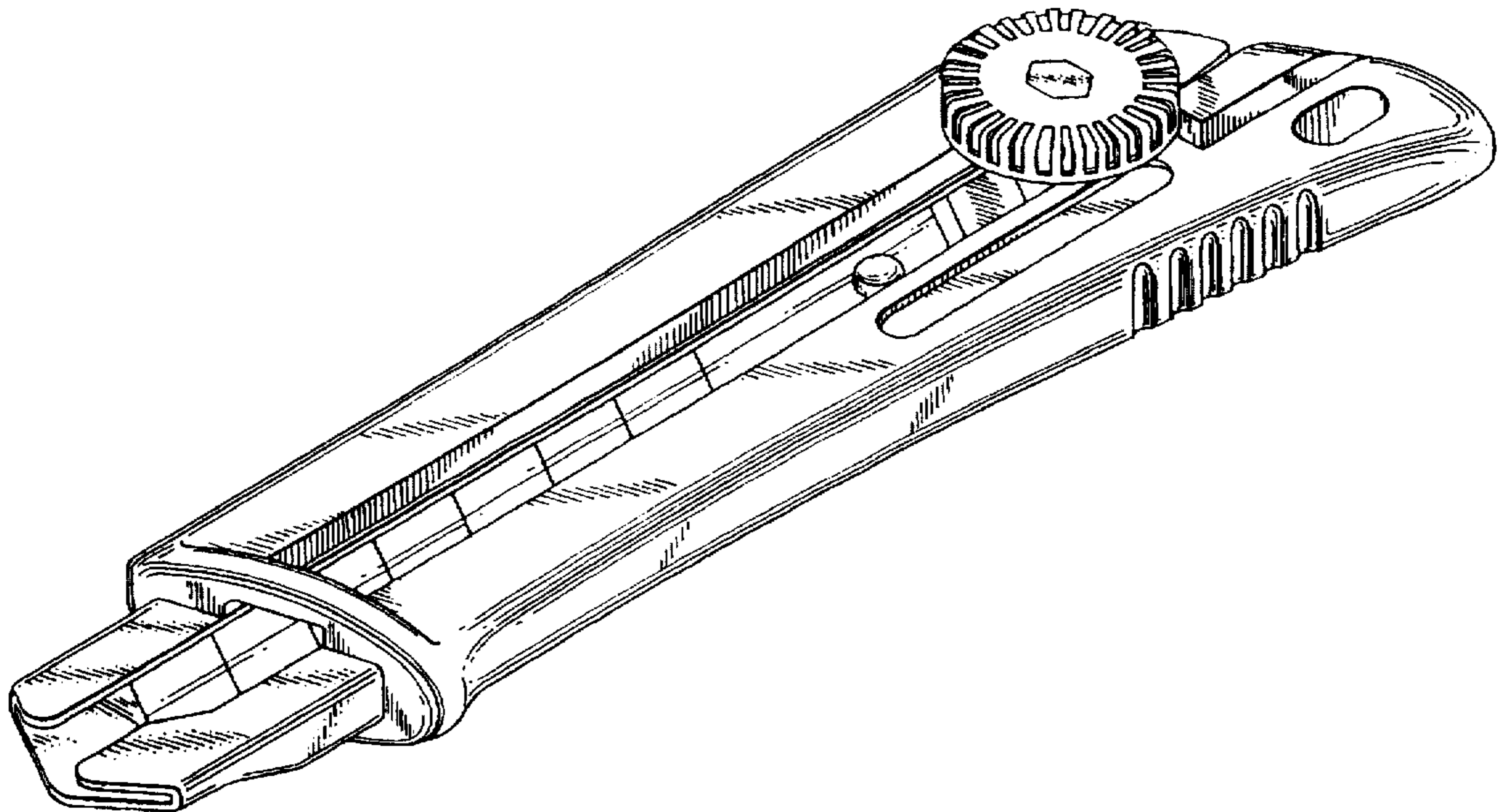
[57] **CLAIM**

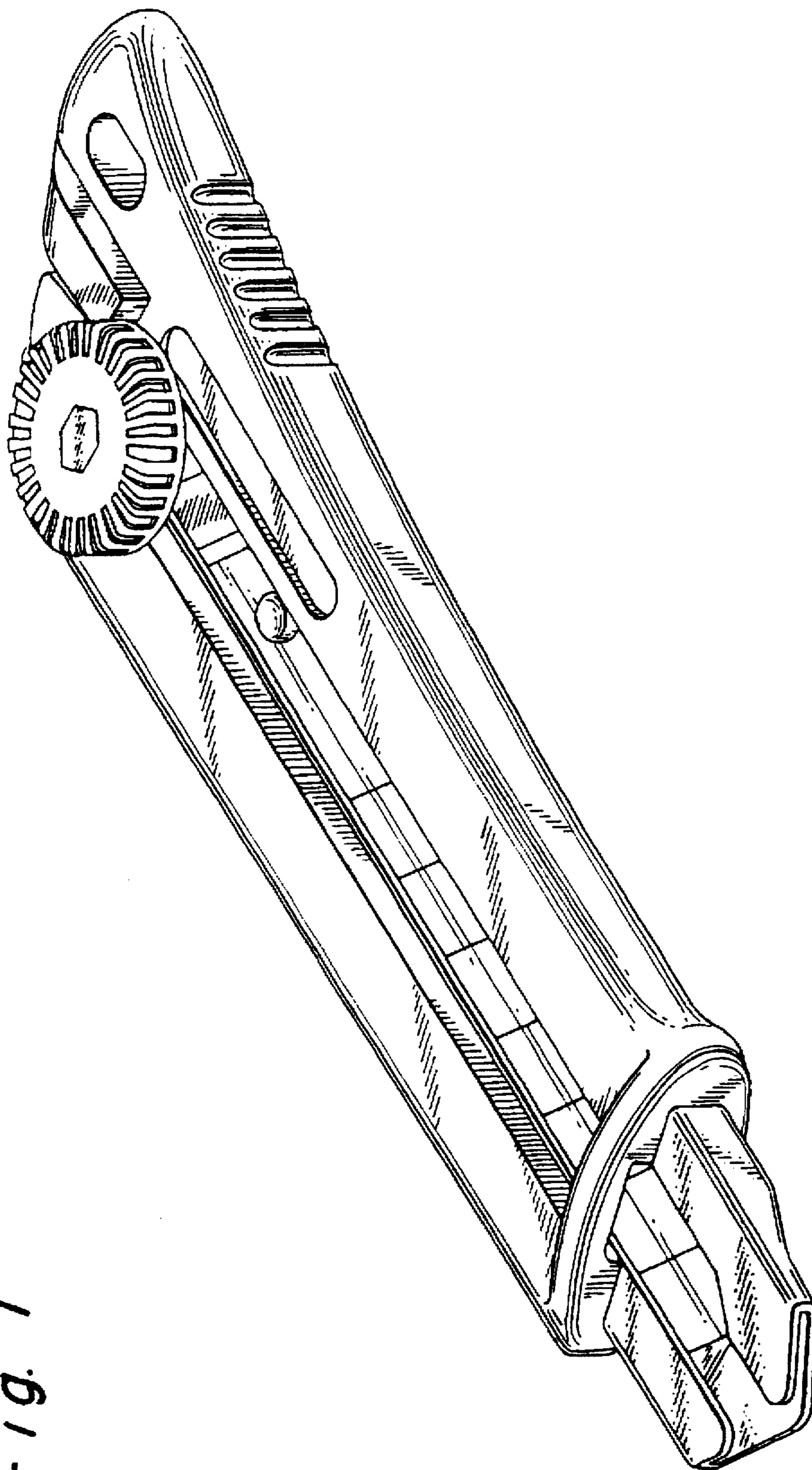
The ornamental design for a retractable knife, as shown and described.

**DESCRIPTION**

FIG. 1 is a perspective view of a retractable knife showing my new design;  
FIG. 2 is a top plan view thereof;  
FIG. 3 is a front elevational view thereof;  
FIG. 4 is a rear elevational view thereof;  
FIG. 5 is a bottom plan view thereof;  
FIG. 6 is a left end view thereof;  
FIG. 7 is a right end view thereof;  
FIG. 8 is a sectional view taken along a line 8—8 in FIG. 3; and,  
FIG. 9 is an cross-sectional view taken along a line 9—9 in FIG. 2.

**1 Claim, 4 Drawing Sheets**





*Fig. 1*

Fig. 2

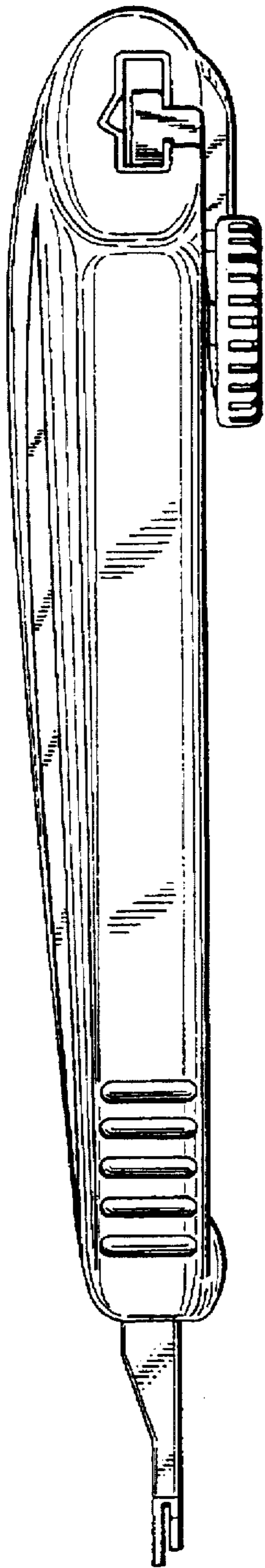
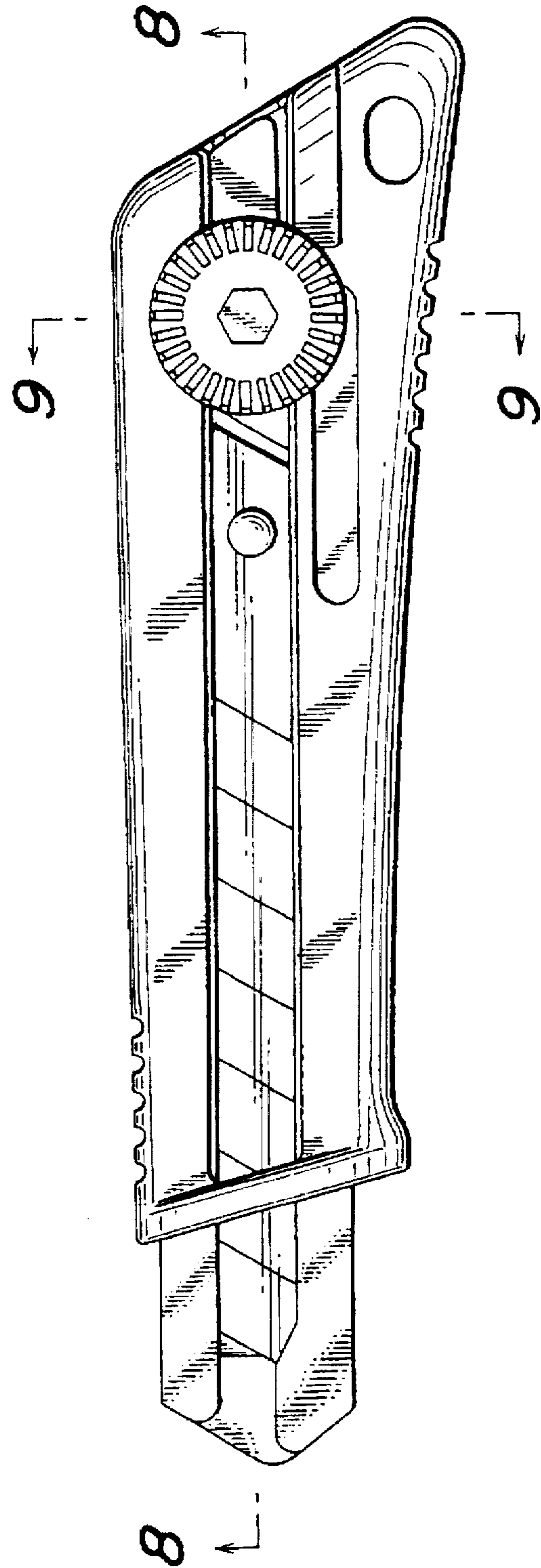
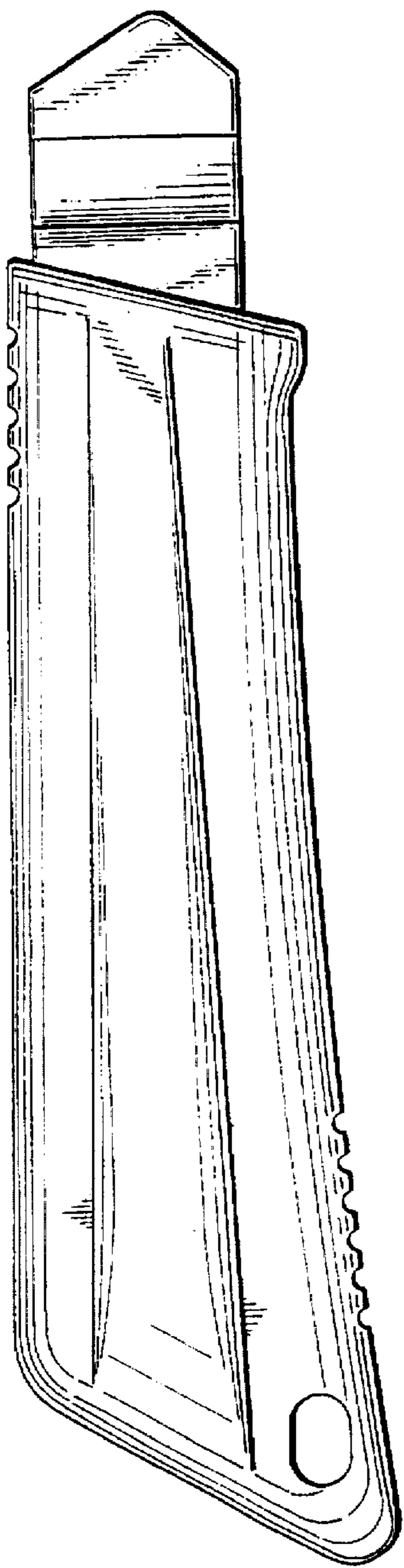


Fig. 3



*Fig. 4*



*Fig. 5*

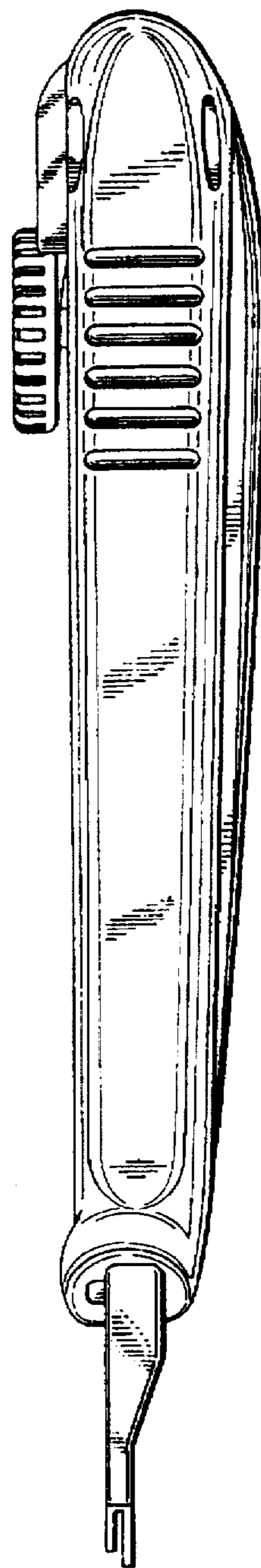


Fig. 9

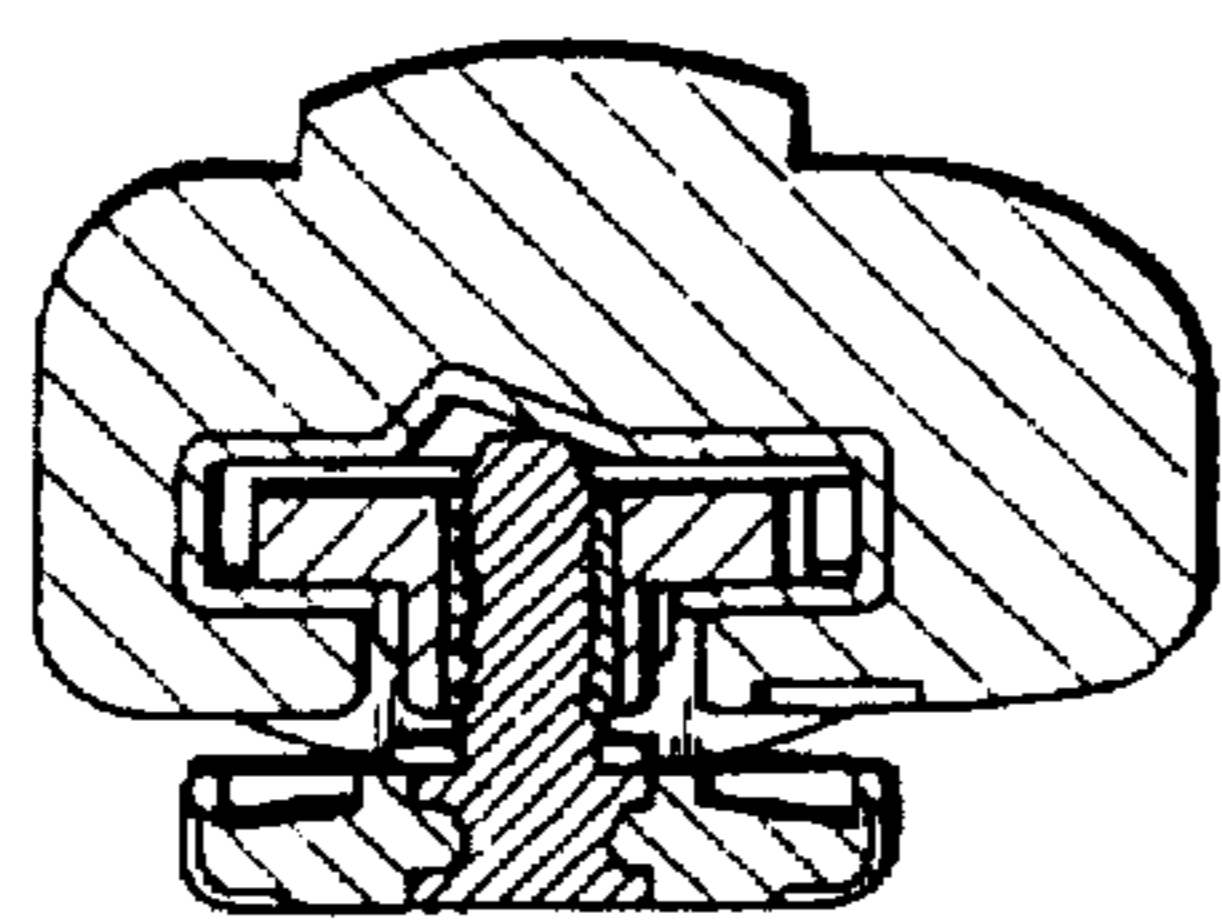


Fig. 7

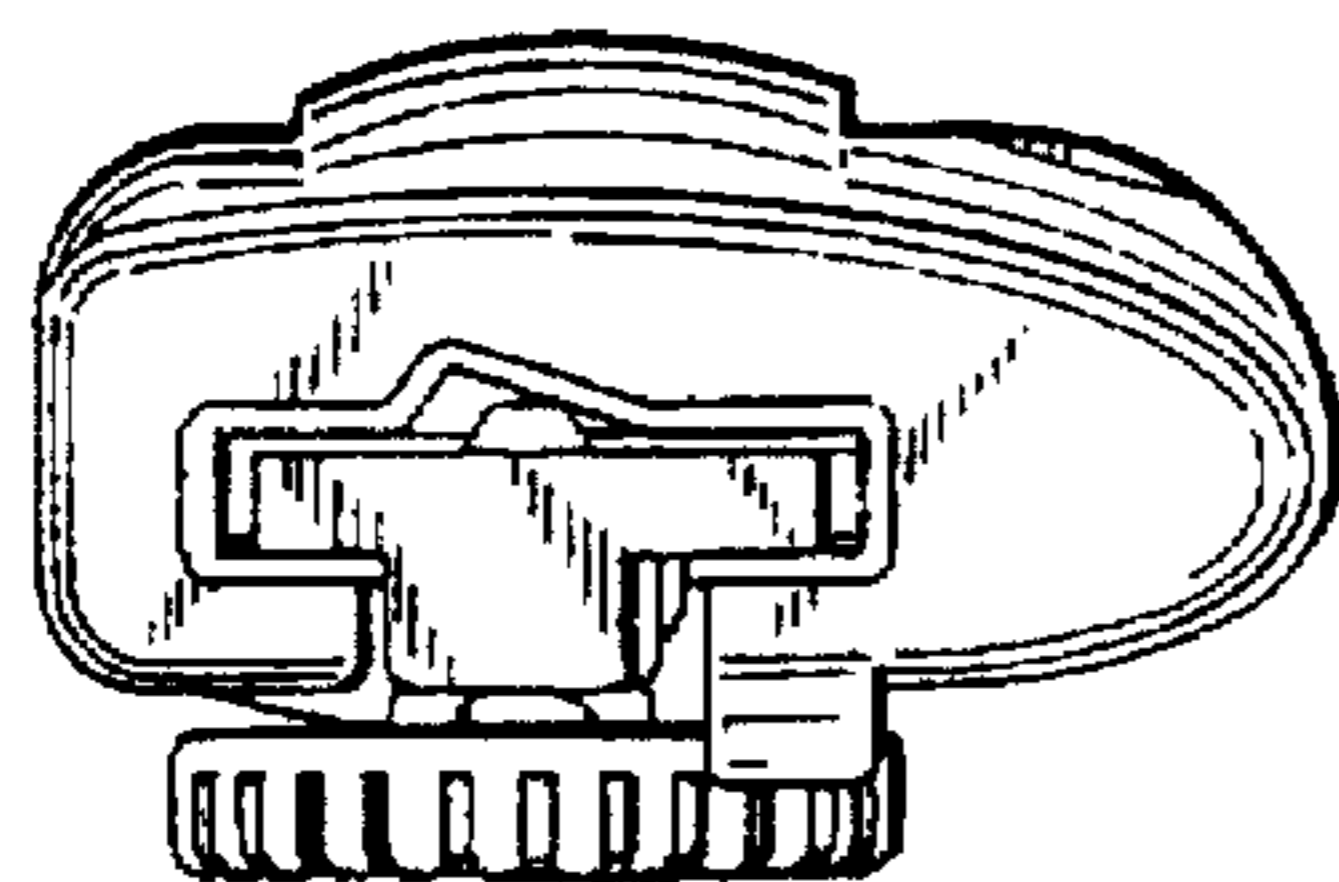


Fig. 6

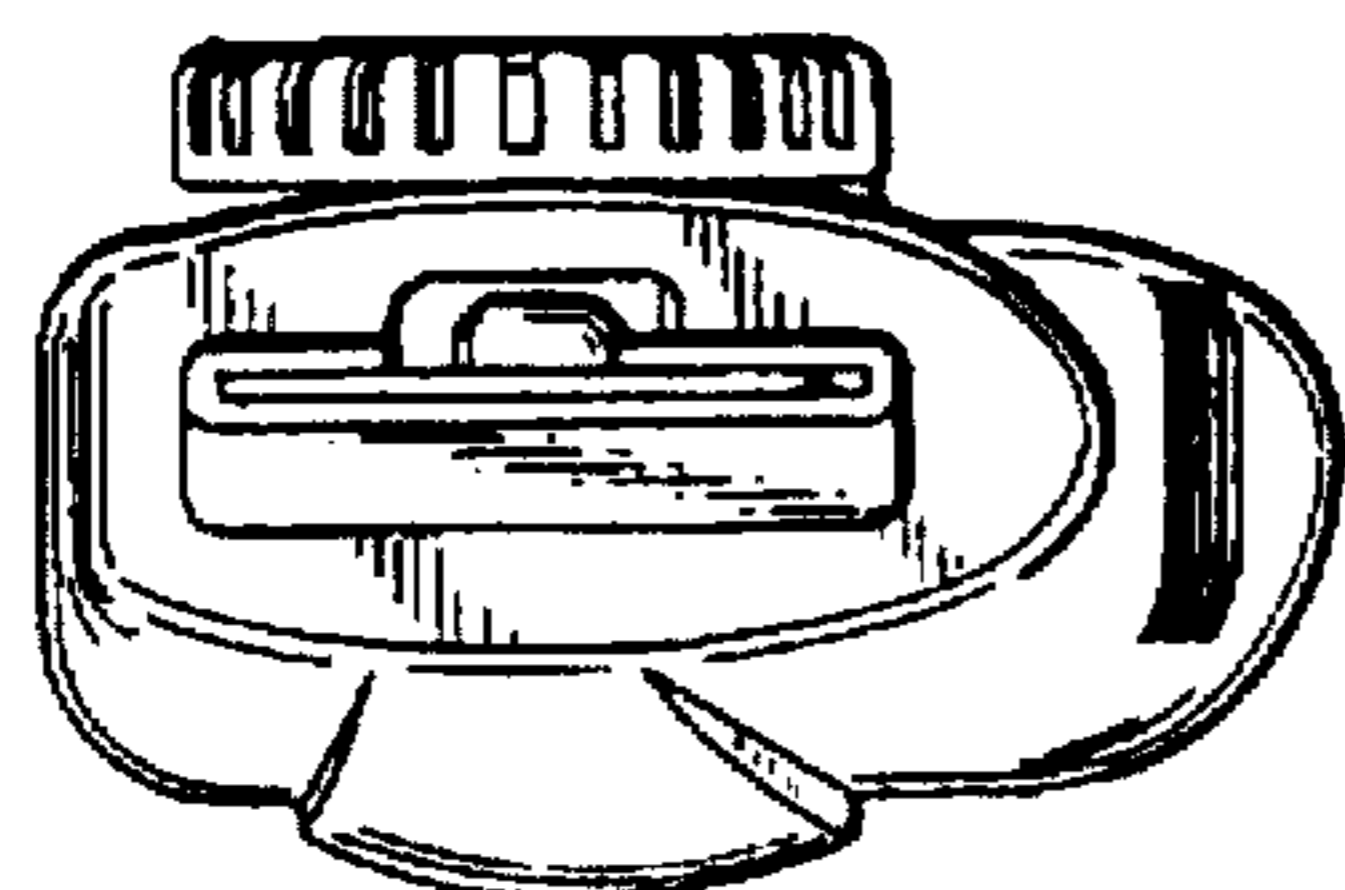


Fig. 8

