



US00D386958S

# United States Patent [19]

[11] Patent Number: **Des. 386,958**

Karlsson et al.

[45] Date of Patent: **\*\*Dec. 2, 1997**

[54] **MOTOR SAW**

D. 288,896	3/1987	Yamamoto et al.	.....	D8/65
D. 295,713	5/1988	Nagashima et al.	.....	D8/65
D. 364,326	11/1995	Lohse et al.	.....	D8/65
4,630,372	12/1986	Nagashima	.....	30/381

[75] Inventors: **Bert Kenneth Karlsson**, Huskvarna; **Vinko Hanzek**, Jönköping; **Per Olof Viktorsson**, Huskvarna; **Carl-Gustaf Pehrsson**, Jönköping; **Lars Andersson**, Nässjö, all of Sweden

*Primary Examiner*—James Gandy  
*Assistant Examiner*—Robert M. Spear  
*Attorney, Agent, or Firm*—Pearne, Gordon, McCoy & Granger LLP

[73] Assignee: **Aktiebolaget Electroux**, Stockholm, Sweden

[\*\*] Term: **14 Years**

### [57] CLAIM

The ornamental design for a motor saw, as shown and described.

[21] Appl. No.: **42,554**

[22] Filed: **Aug. 11, 1995**

### DESCRIPTION

### [30] Foreign Application Priority Data

Feb. 16, 1995 [SE] Sweden ..... 950318

FIG. 1 is a front right perspective view of a motor saw, showing our new design;

FIG. 2 is a rear left perspective view thereof;

FIG. 3 is a top plan view thereof;

FIG. 4 is a bottom plan view thereof;

FIG. 5 is a left side elevation view thereof;

FIG. 6 is a right side elevation view thereof;

FIG. 7 is a front end elevation view thereof; and,

FIG. 8 is a rear end elevatioal view thereof.

[51] LOC (6) Cl. .... **08-03**

[52] U.S. Cl. .... **D8/65**

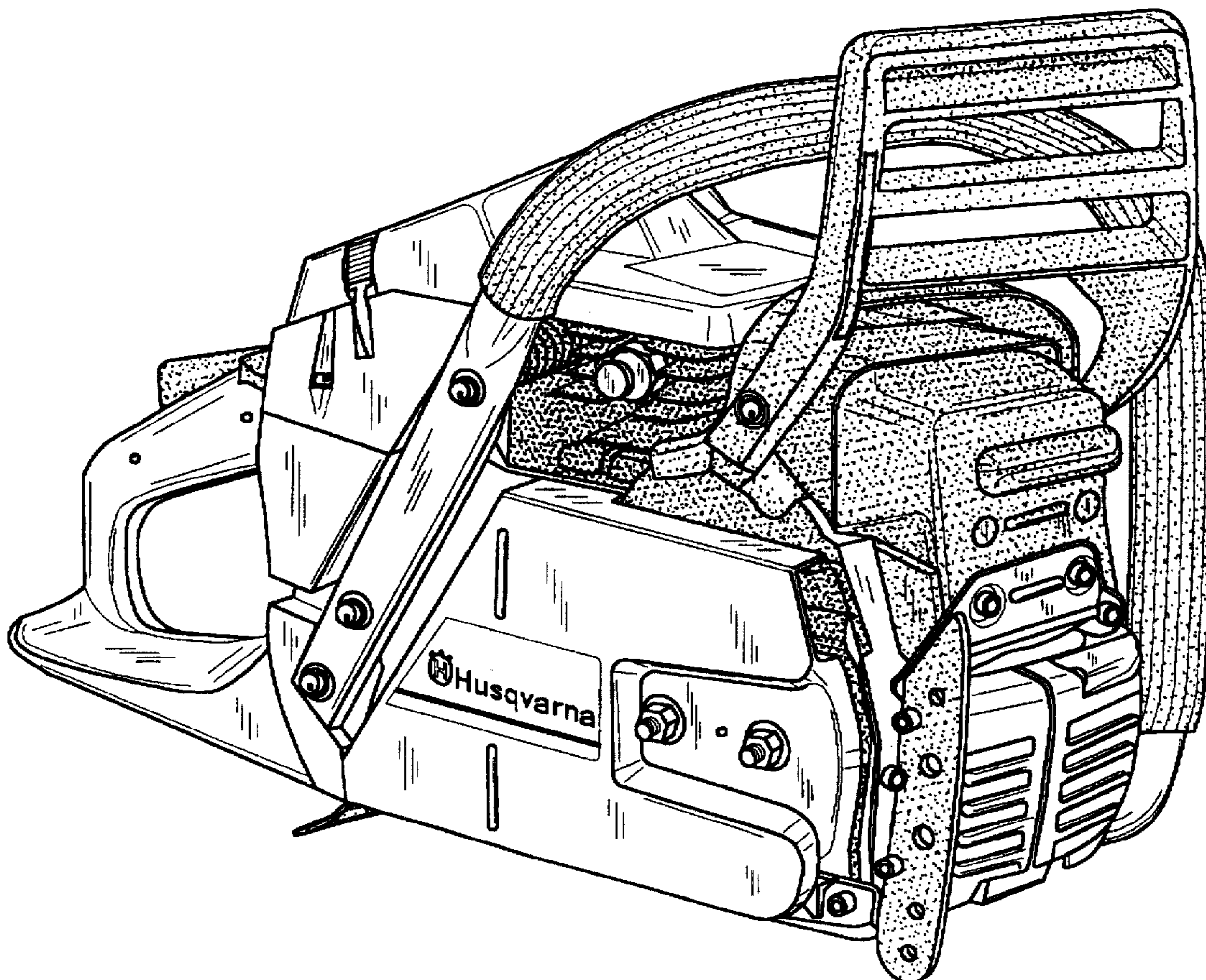
[58] Field of Search ..... D8/65, 66, 67; D15/133, 134; 30/381, 382, 383, 384, 385

### [56] References Cited

#### U.S. PATENT DOCUMENTS

D. 204,124 3/1966 Rawso, Jr. et al. .... D8/65

**1 Claim, 8 Drawing Sheets**



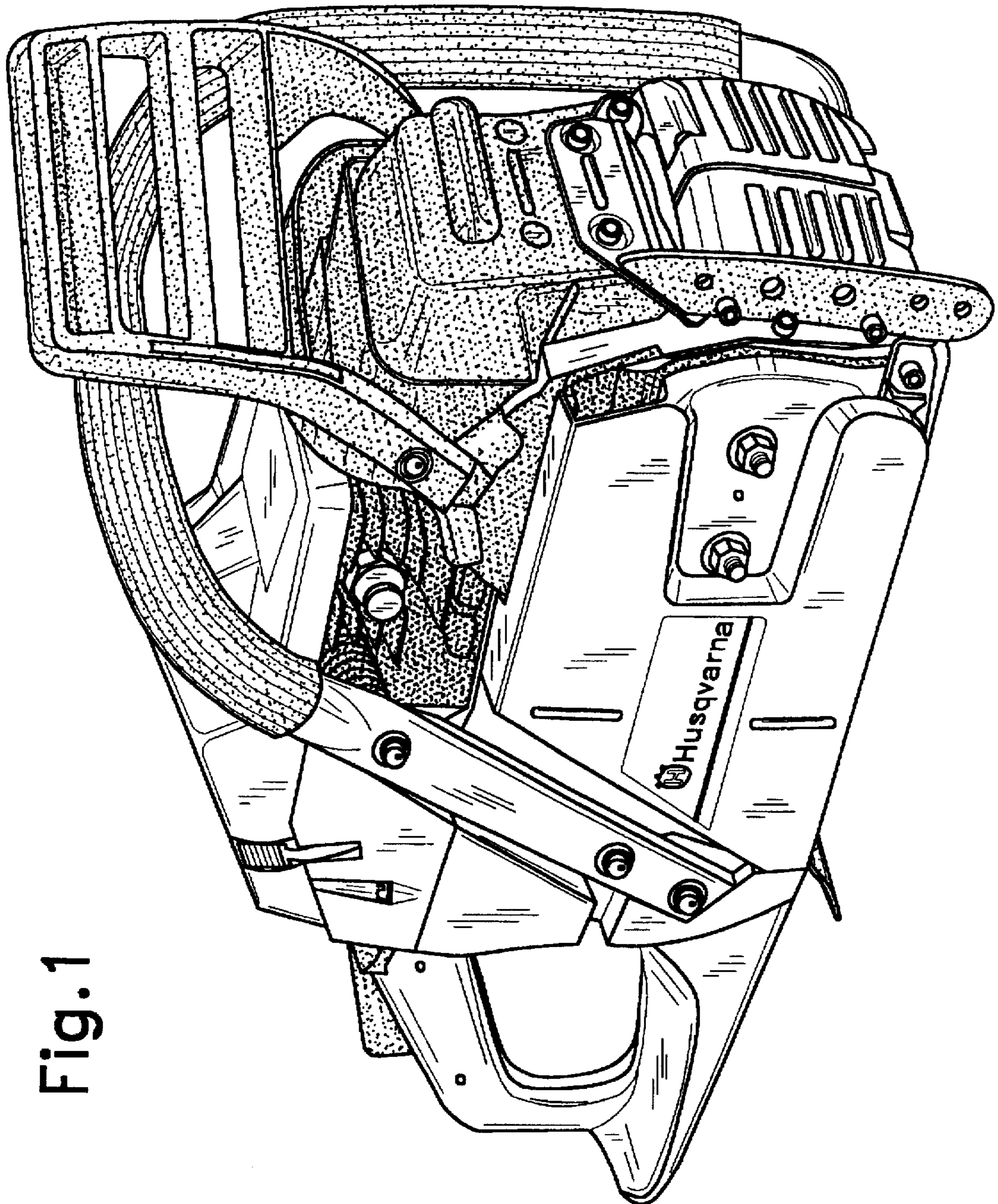
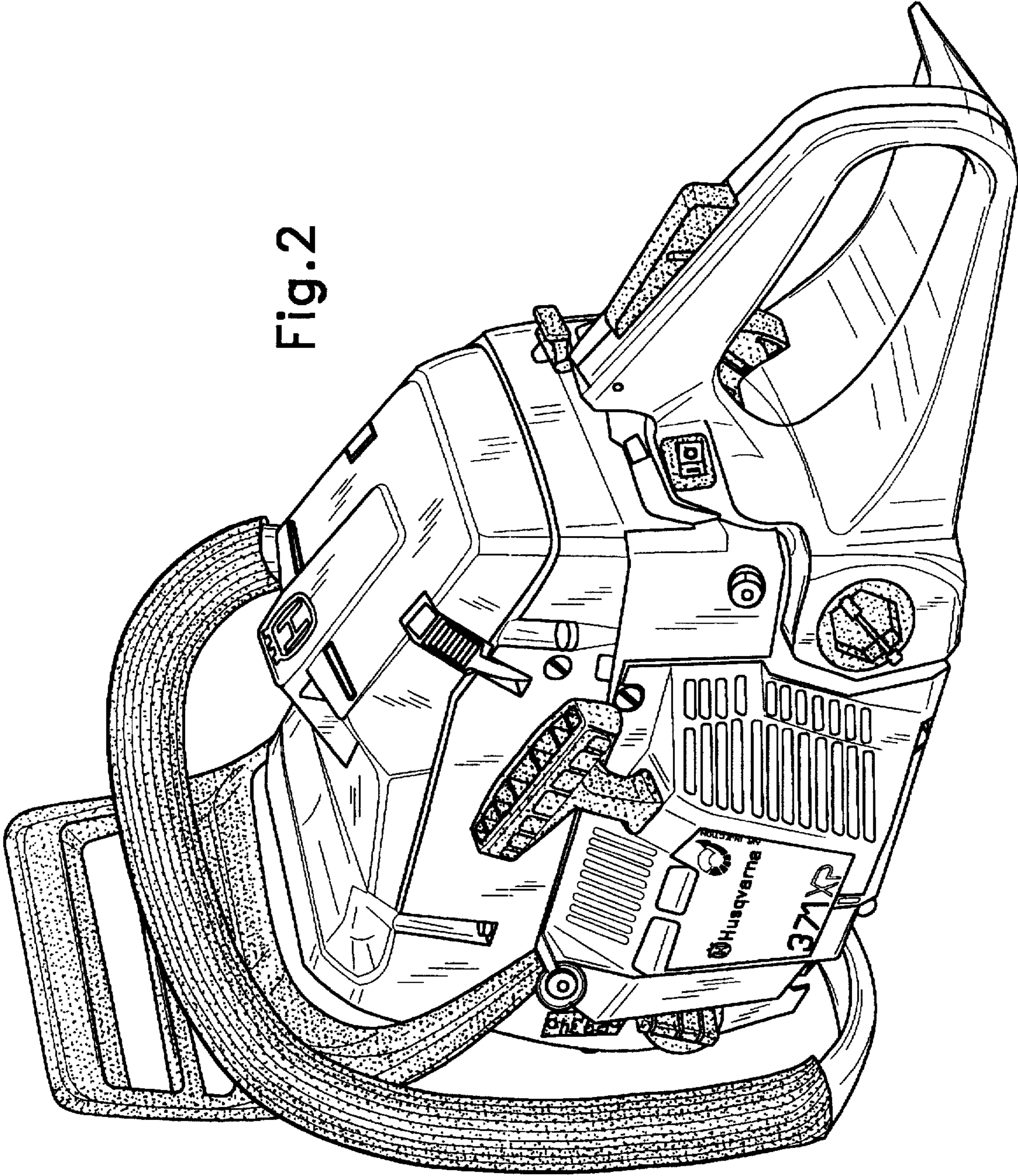


Fig. 1

Fig. 2



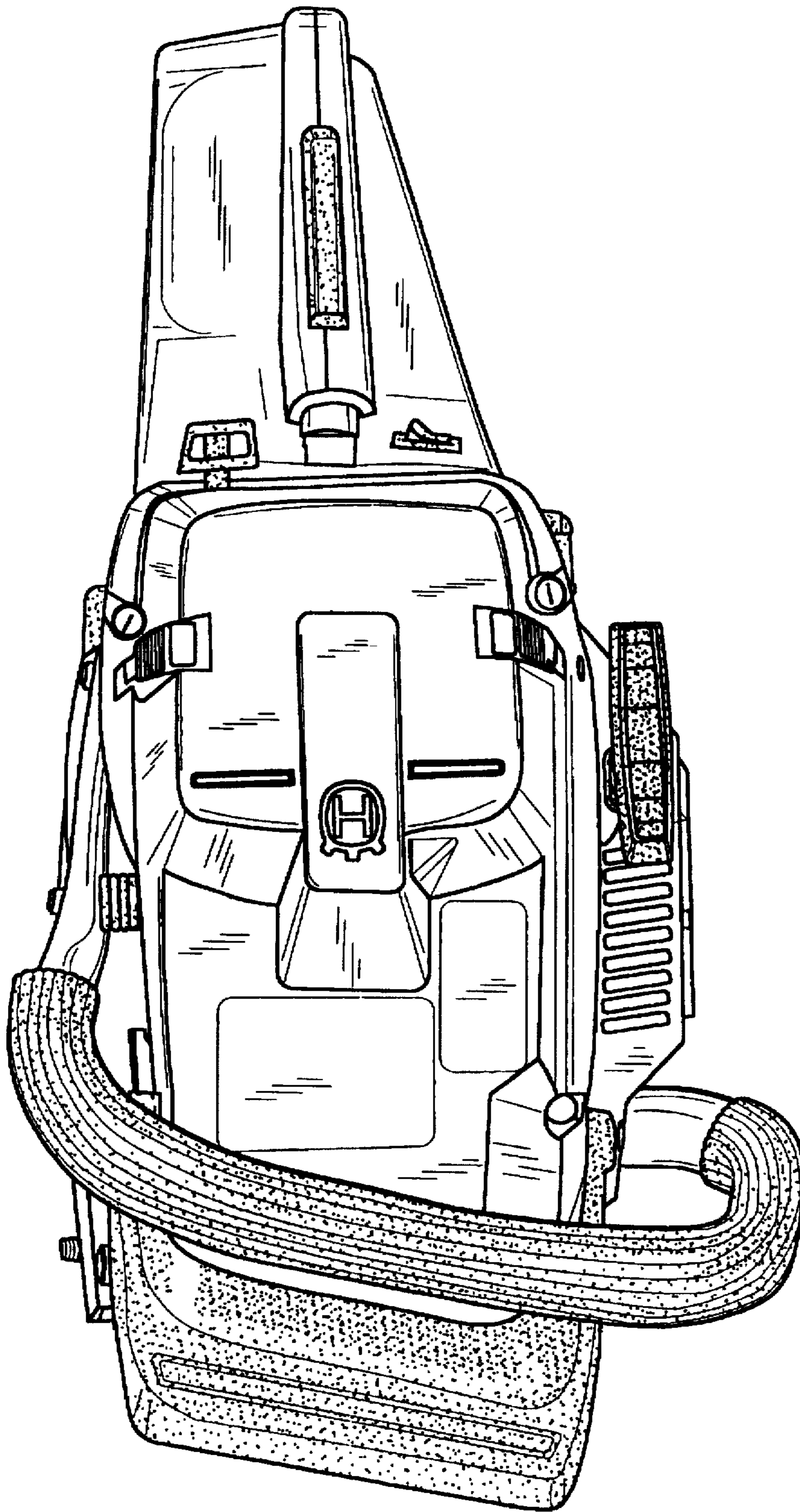
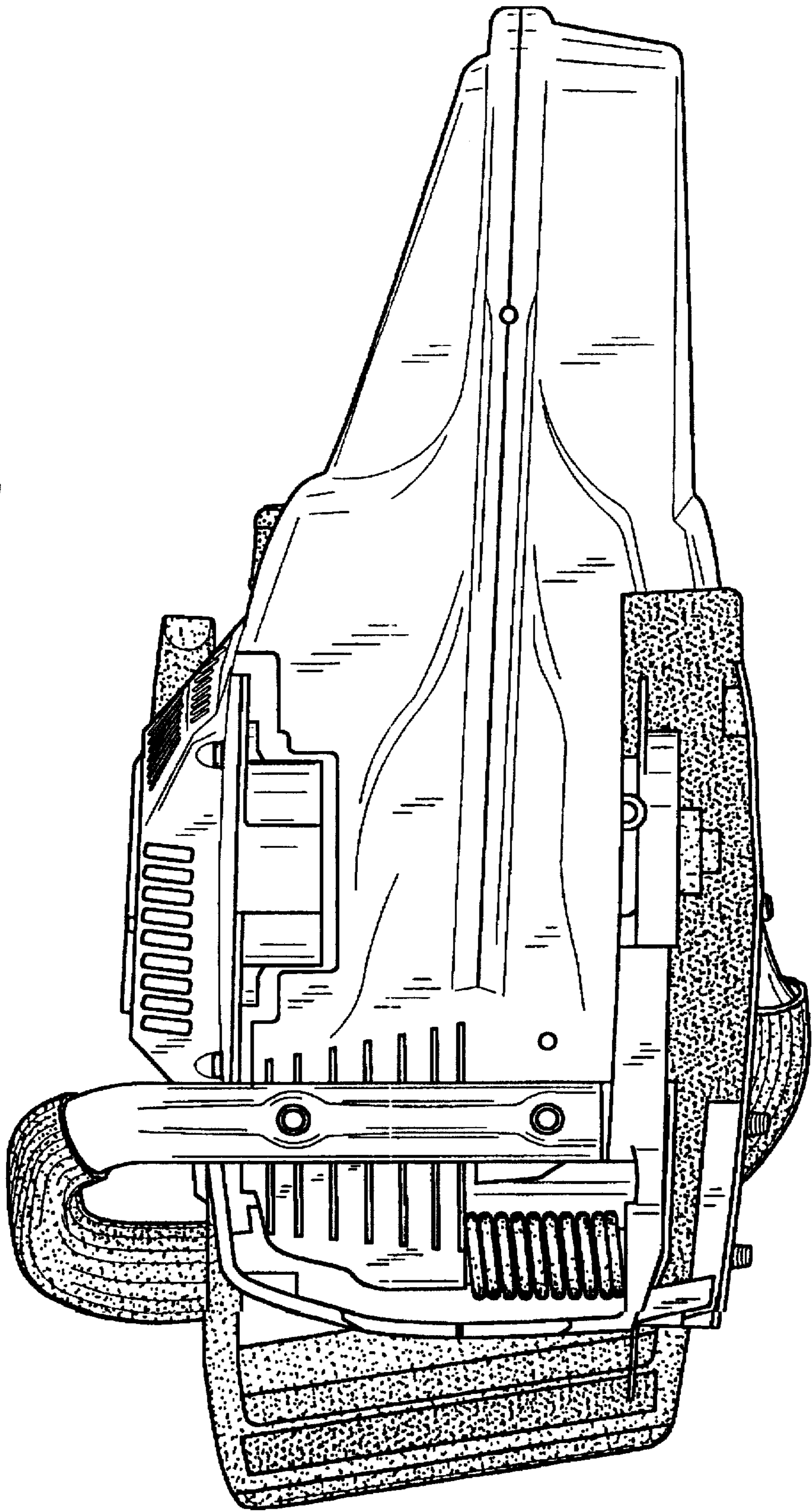


Fig. 3

Fig. 4



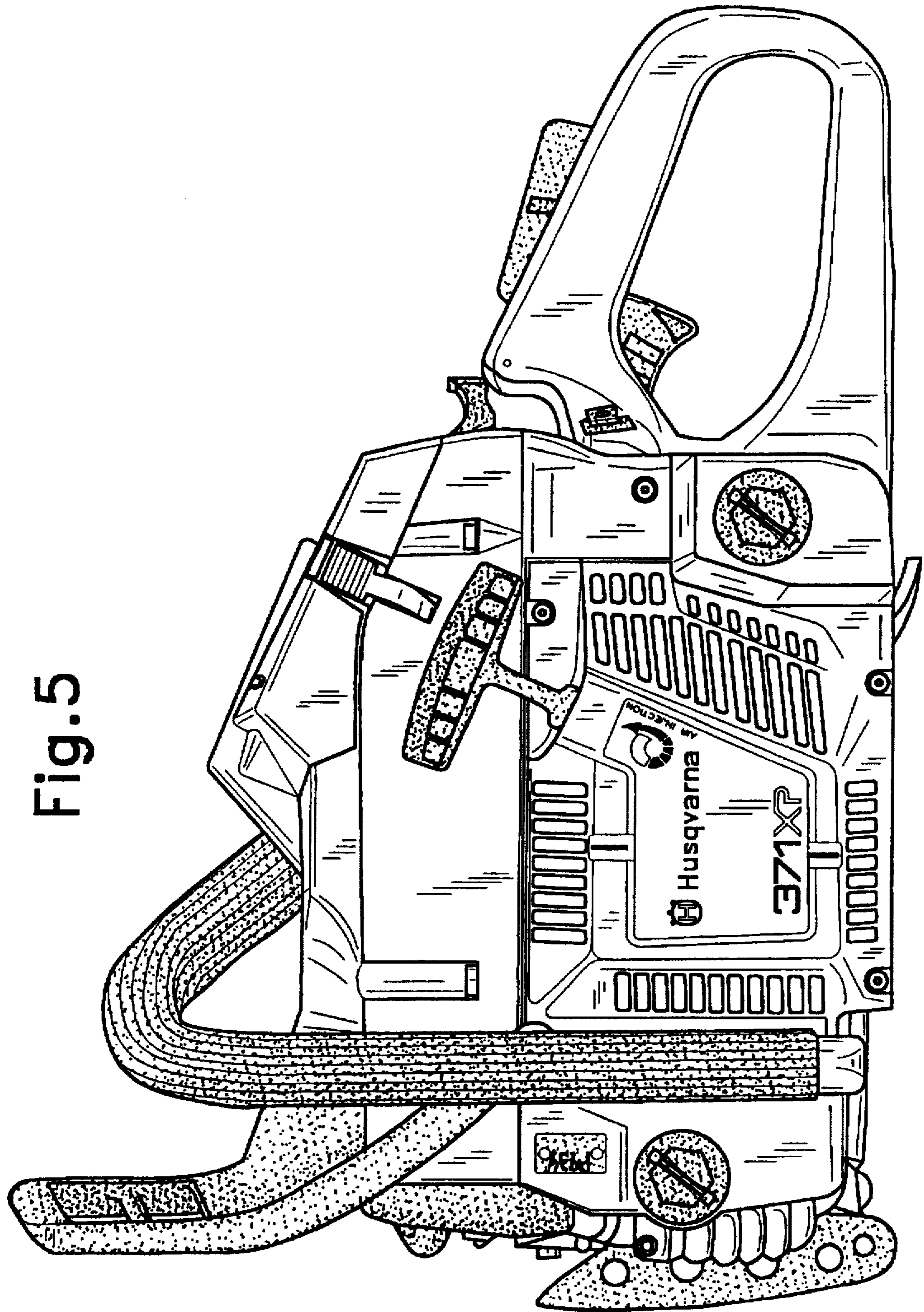


Fig. 5

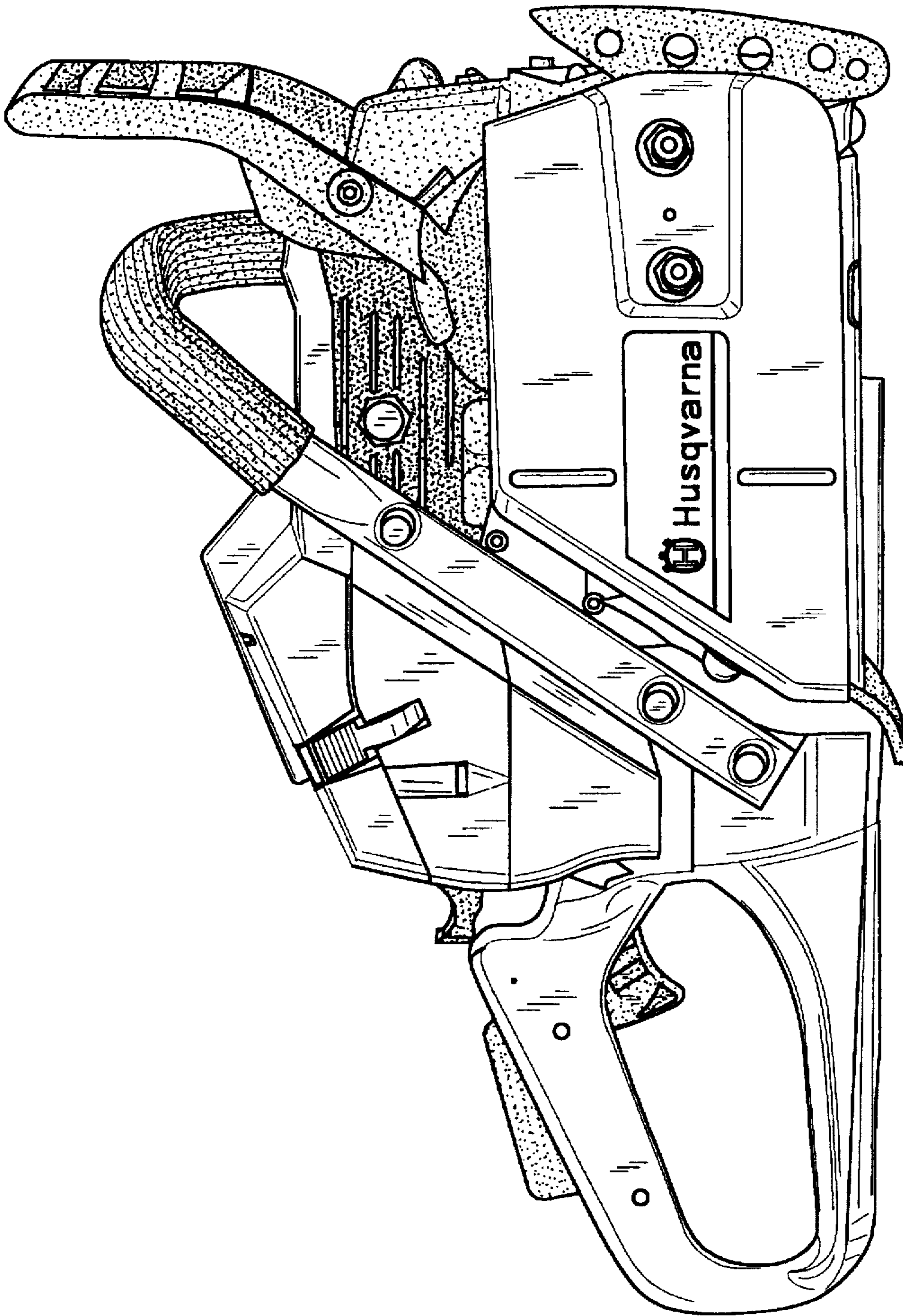


Fig. 6

Fig. 7

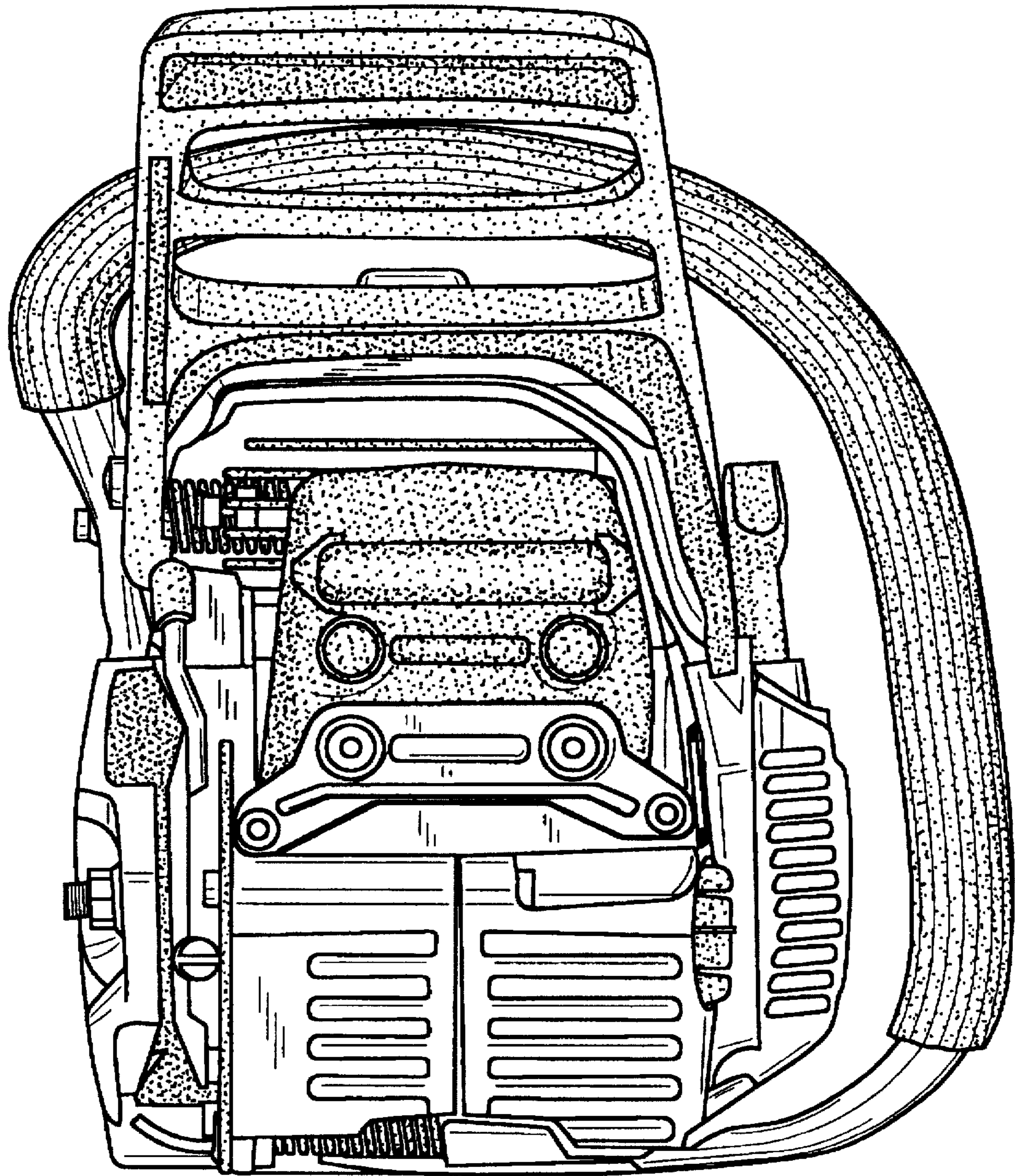




Fig.8

