



US00D386955S

United States Patent [19]

[11] Patent Number: **Des. 386,955**

Jones et al.

[45] Date of Patent: ****Dec. 2, 1997**

[54] **T-HANDLE RATCHET**

4,984,844 1/1991 Tekeyan 81/60 X
5,180,175 1/1993 Doolittle 81/63 X

[76] Inventors: **Darrel D. Jones; Kathleen E. Jones,**
both of R.R. 7, Box 213C, Manchester,
Ky. 40962

Primary Examiner—Prabhakar G. Deshmuki
Assistant Examiner—Richelle Shelton
Attorney, Agent, or Firm—Harold H. Dutton, Jr.

[**] Term: **14 Years**

[57] **CLAIM**

[21] Appl. No.: **61,279**

The ornamental design for a t-handle ratchet, as shown and described.

[22] Filed: **Oct. 18, 1996**

DESCRIPTION

[51] LOC (6) Cl. **08-05**

FIG. 1 is a perspective view of a t-handle ratchet showing our new design;

[52] U.S. Cl. **D8/25**

FIG. 2 is a top view thereof;

[58] Field of Search D8/21-29; 81/60-63,
81/63.1, 63.2

FIG. 3 is a bottom view thereof;

FIG. 4 is a front view thereof;

FIG. 5 is a rear view thereof;

FIG. 6 is a right view thereof; and,

FIG. 7 is a left view thereof.

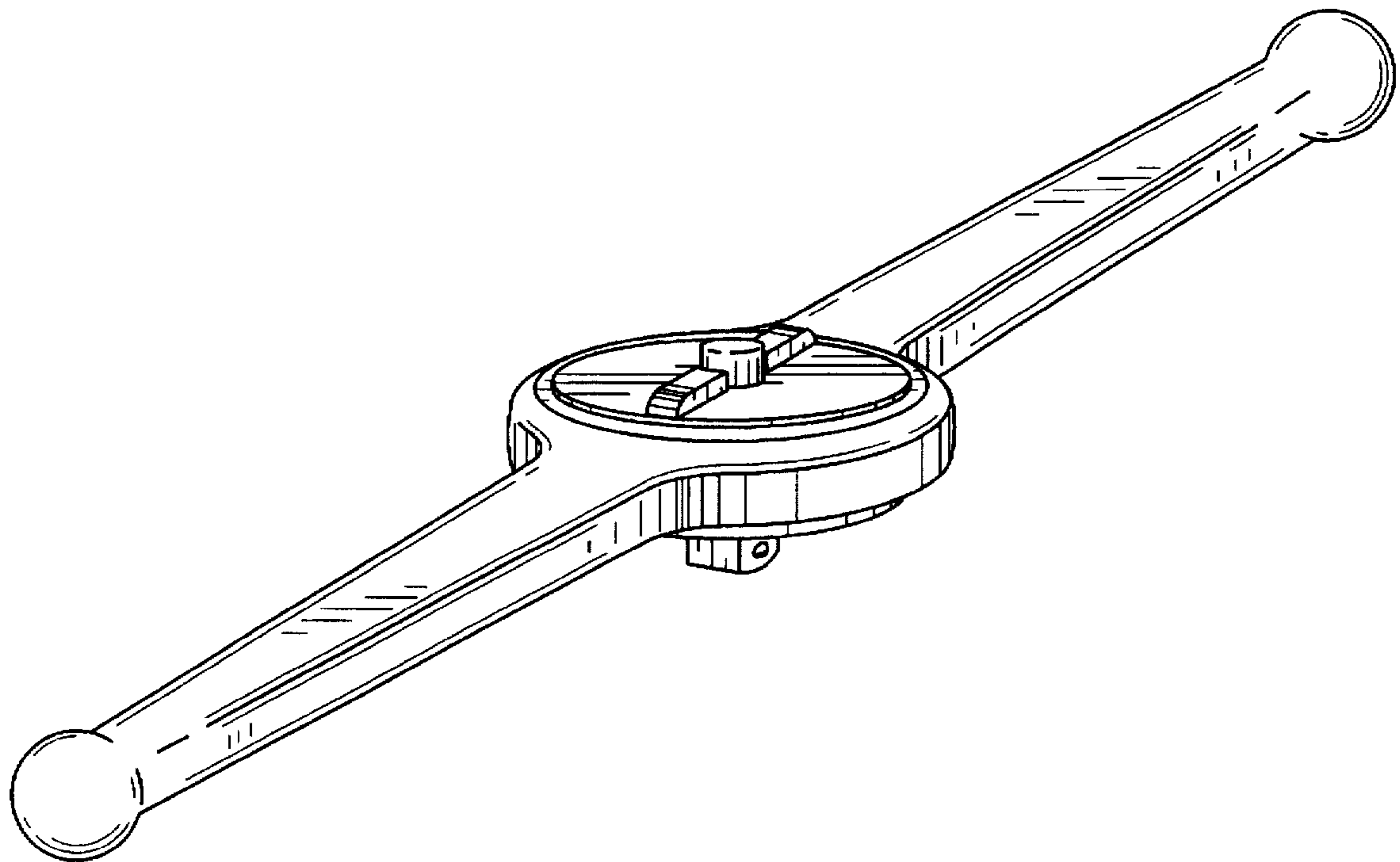
FIGS. 2-7 are shown on a reduced scale.

[56] References Cited

U.S. PATENT DOCUMENTS

D. 299,612 1/1989 Bradley D8/25
D. 314,123 1/1991 Brainard D8/25
3,572,188 3/1971 Christian 81/61 X

1 Claim, 4 Drawing Sheets



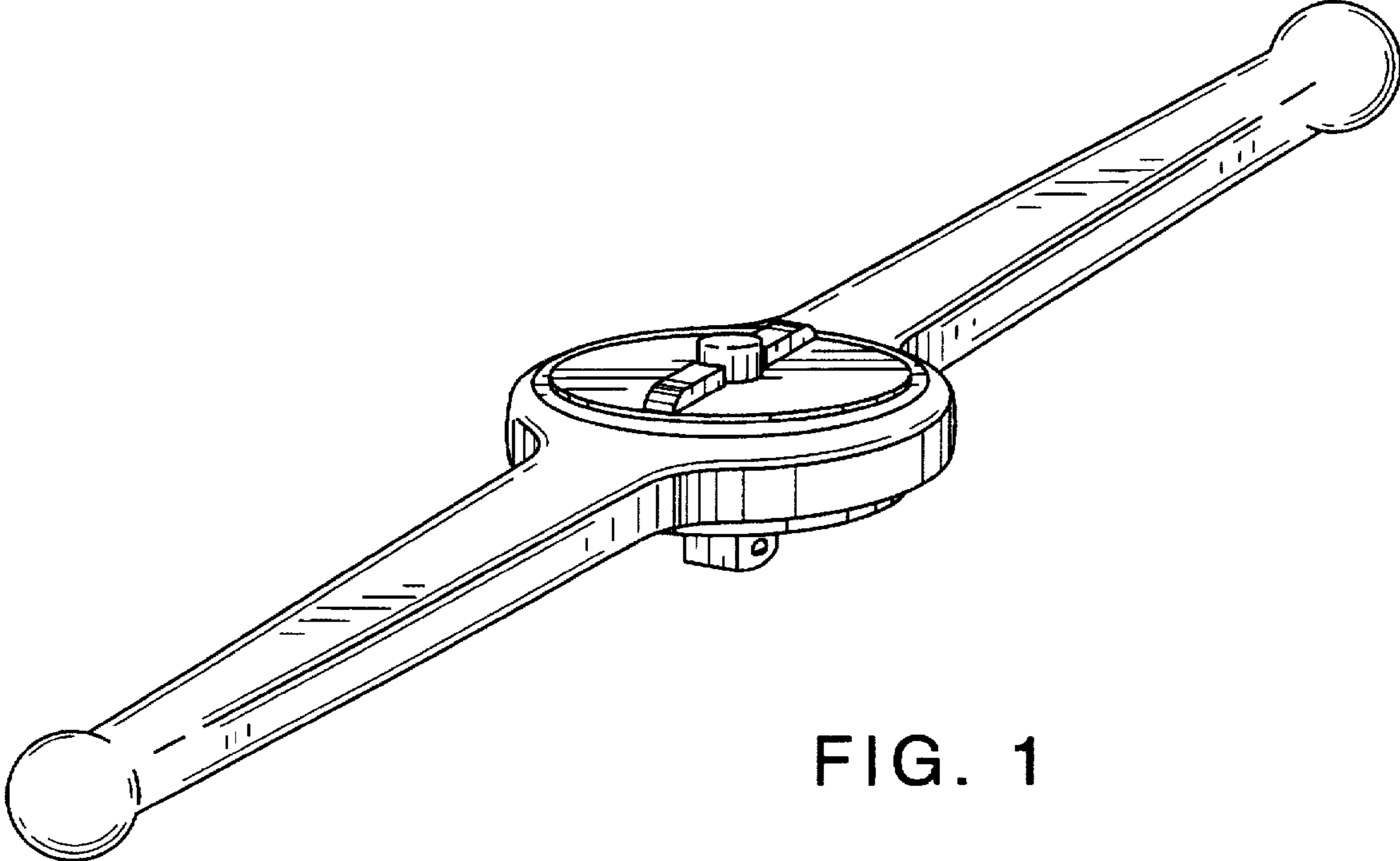


FIG. 1

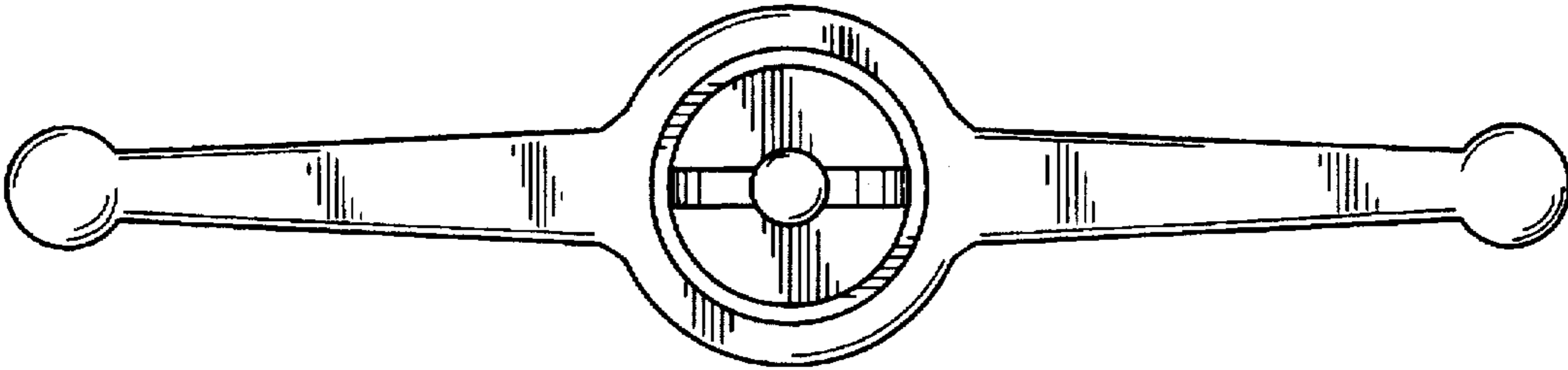


FIG. 2

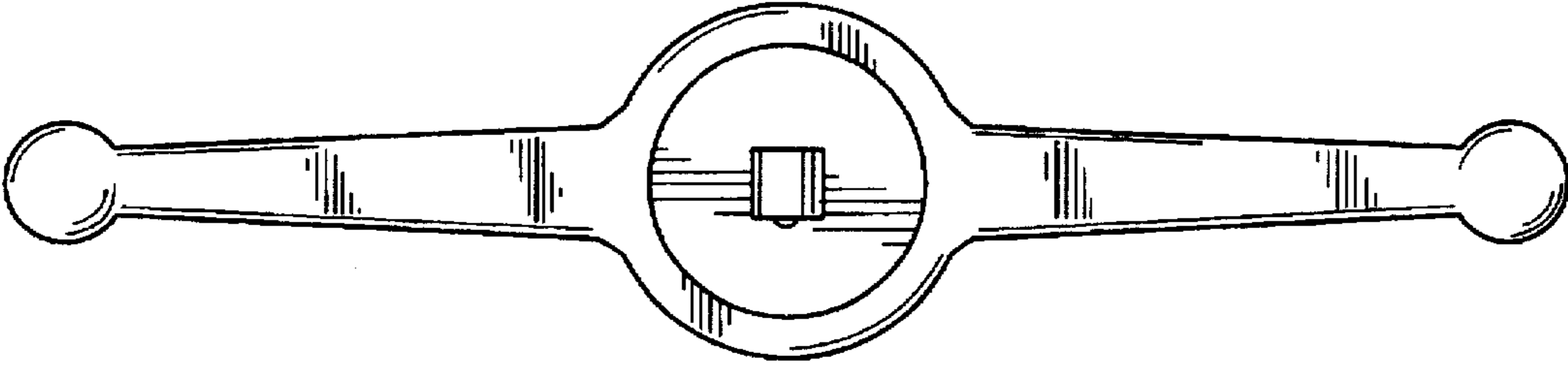


FIG. 3

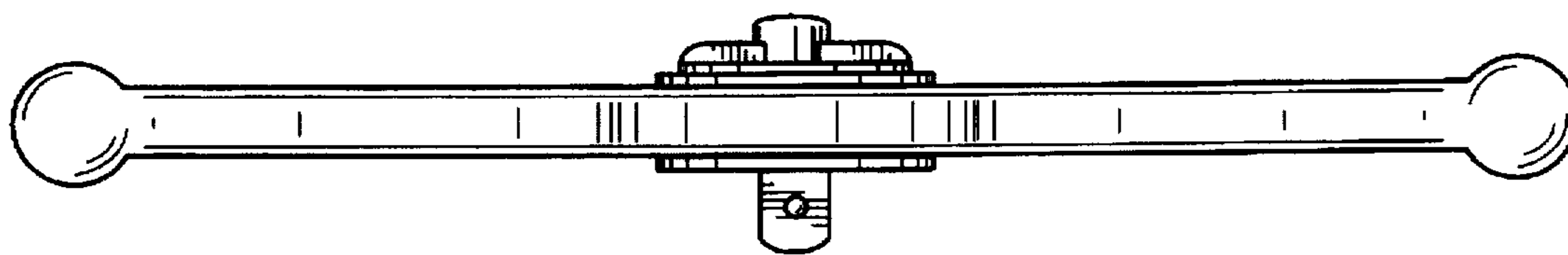


FIG. 4

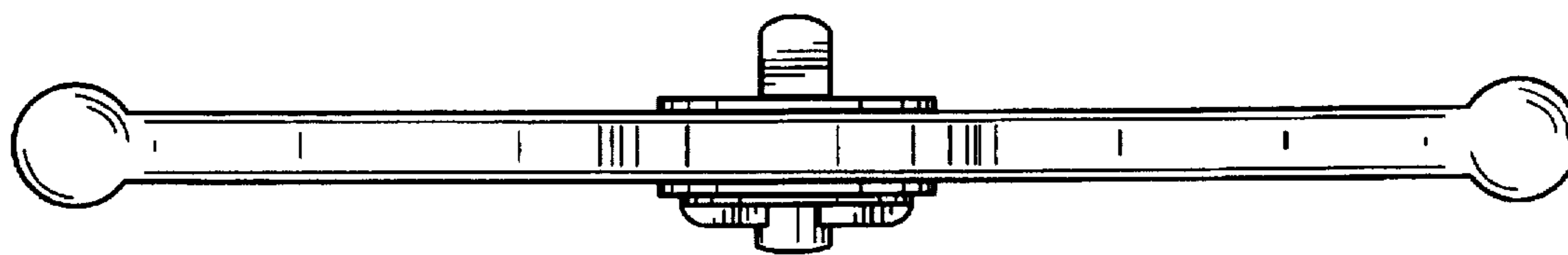


FIG. 5

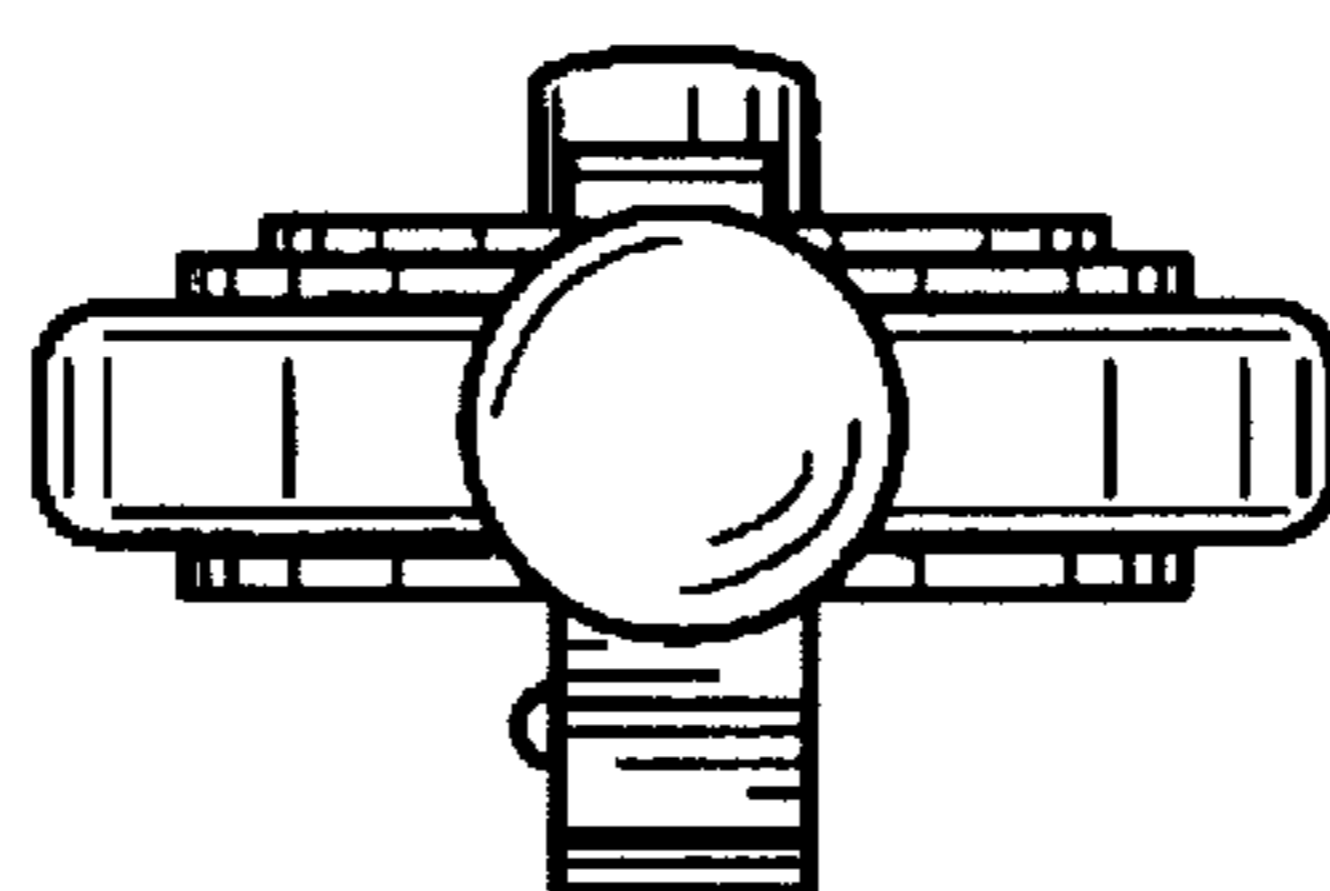


FIG. 6

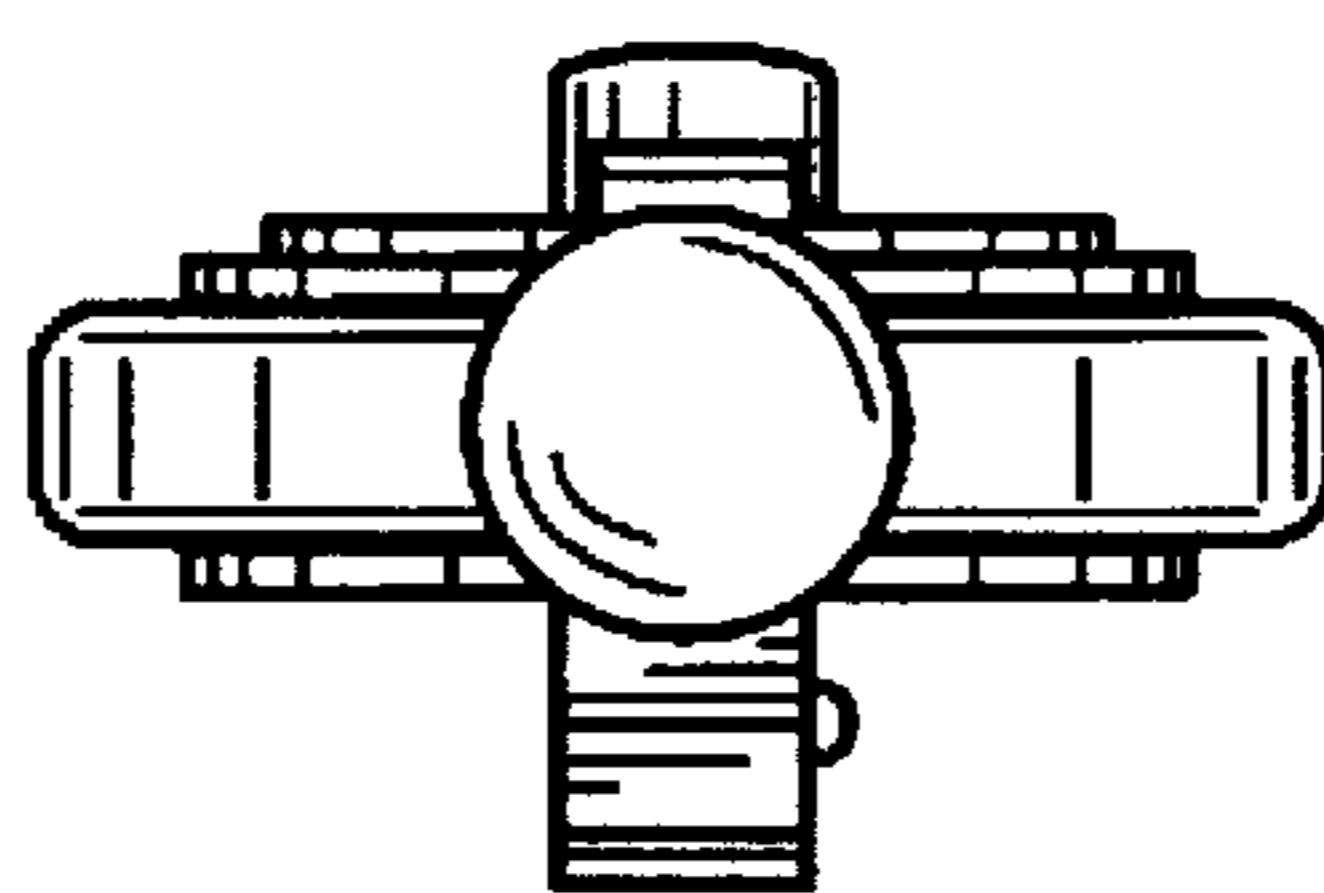


FIG. 7