



US00D386954S

United States Patent [19]

Melendy et al.

[11] Patent Number: **Des. 386,954**

[45] Date of Patent: ****Dec. 2, 1997**

[54] **PALM FEED GLUE GUN**

5,215,230 6/1993 Lee 222/146.5 X
5,375,766 12/1994 Sweeney 222/146.5 X

[75] Inventors: **Peter S. Melendy, Brentwood; Richard A. Belanger, Kensington, both of N.H.**

Primary Examiner—Antoine Duval Davis
Attorney, Agent, or Firm—Dickinson, Wright, Moon, Van Dusen & Freeman

[73] Assignee: **Adhesive Technologies, Inc., Hampton, N.H.**

[57] CLAIM

[**] Term: **14 Years**

The ornamental design for a palm feed glue gun, as shown and described.

[21] Appl. No.: **57,138**

DESCRIPTION

[22] Filed: **Jul. 17, 1996**

[51] LOC (6) Cl. **08-03**

[52] U.S. Cl. **D8/14.1; D8/30**

[58] Field of Search **D8/14.1, 29.1, D8/30, 61, 68; D15/144, 144.1, 144.2; D19/66, 68; 222/146.5**

FIG. 1 is a right side elevation view of a palm feed glue gun showing our new design. The left side elevation view is a mirror image thereof;

FIG. 2 is a front elevation view thereof;

FIG. 3 is a top plan view thereof;

FIG. 4 is a bottom plan view thereof; and,

FIG. 5 is a rear elevation view thereof.

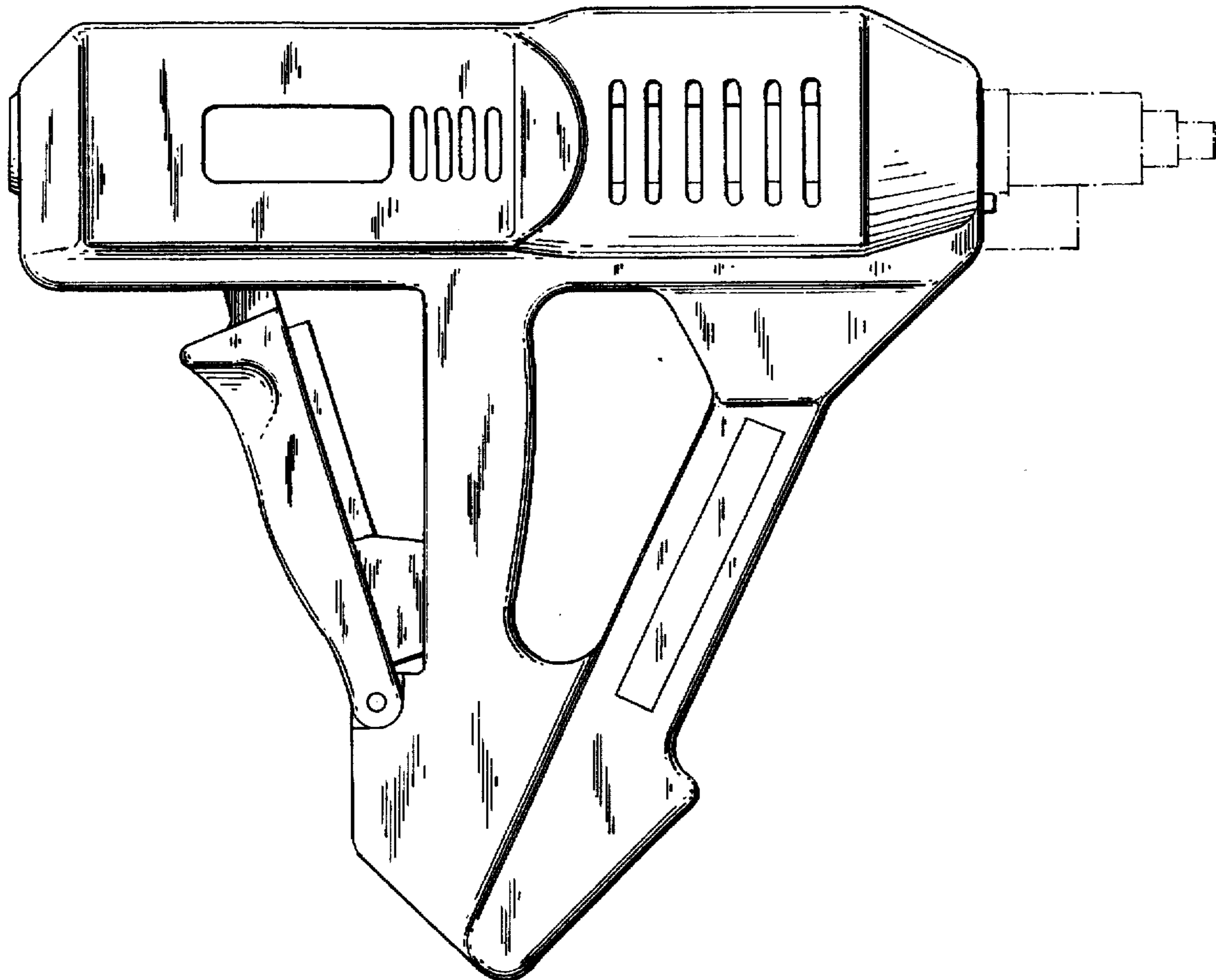
The broken line showing is for illustrative purposes only and forms no part of the claimed design.

[56] References Cited

U.S. PATENT DOCUMENTS

D. 370,396 6/1996 Belanger et al. D8/14.1

1 Claim, 2 Drawing Sheets



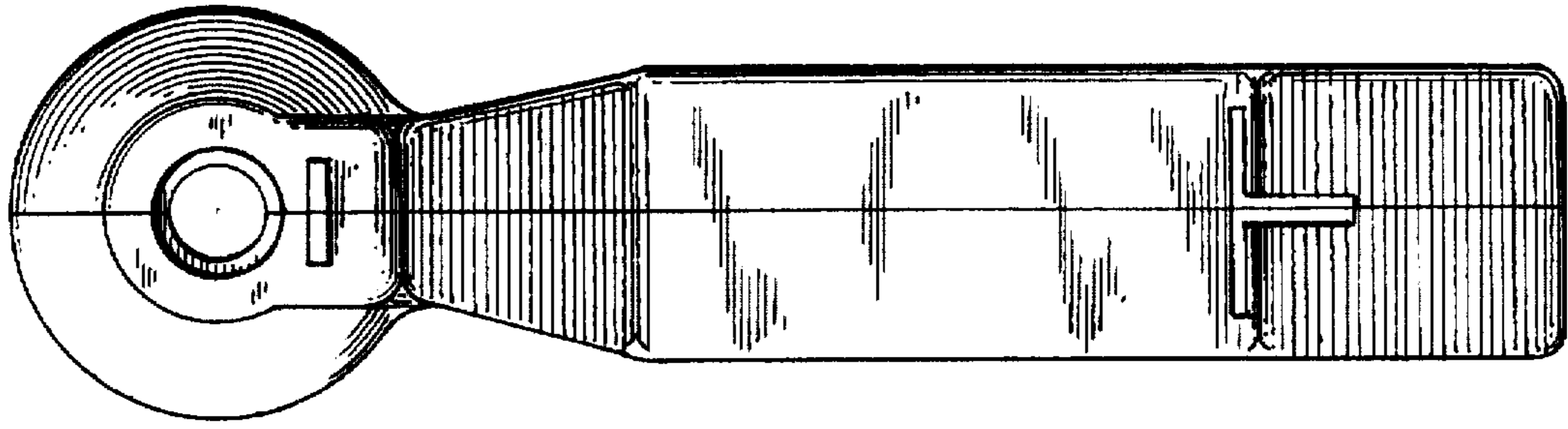


FIG. 2

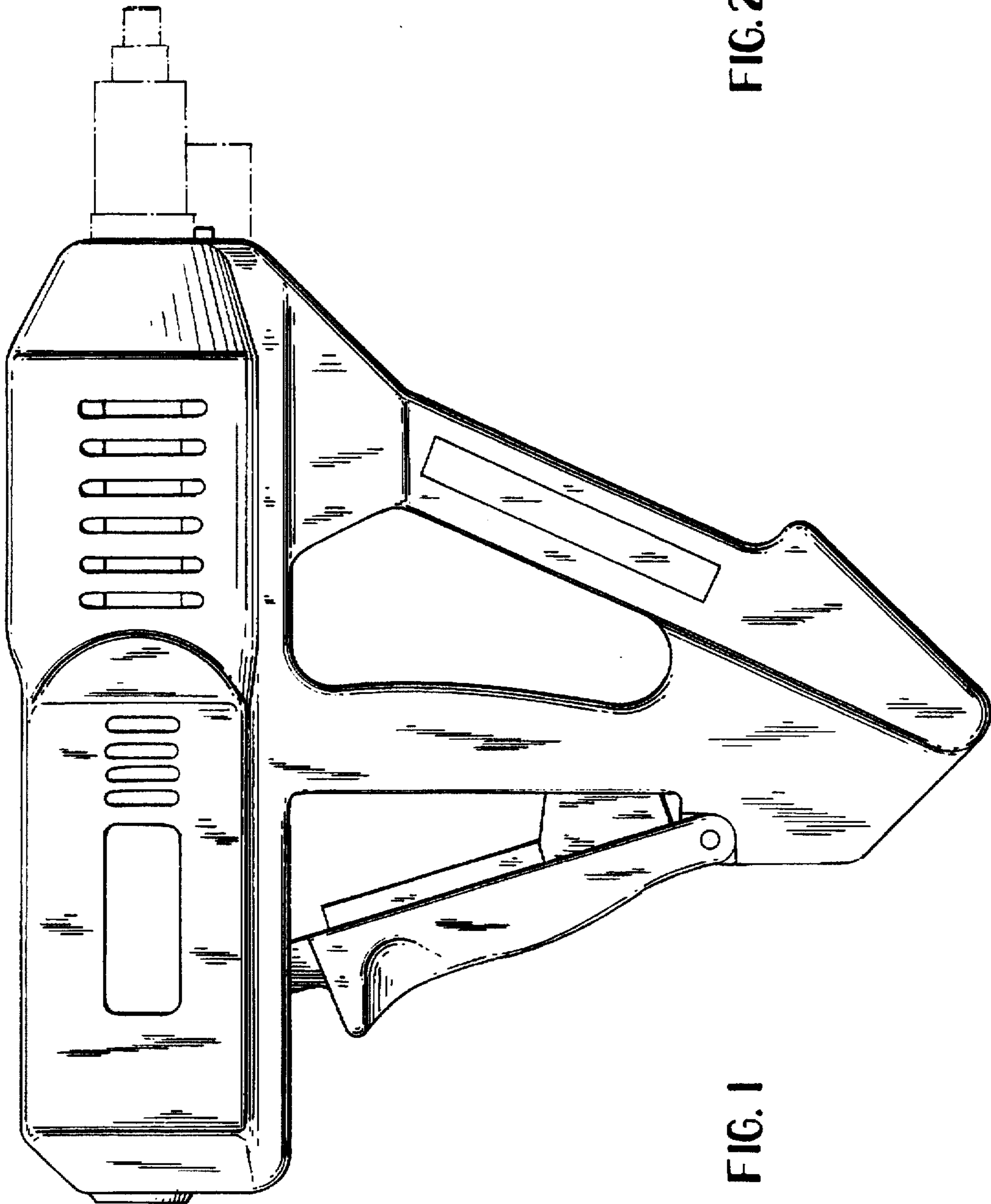


FIG. 1

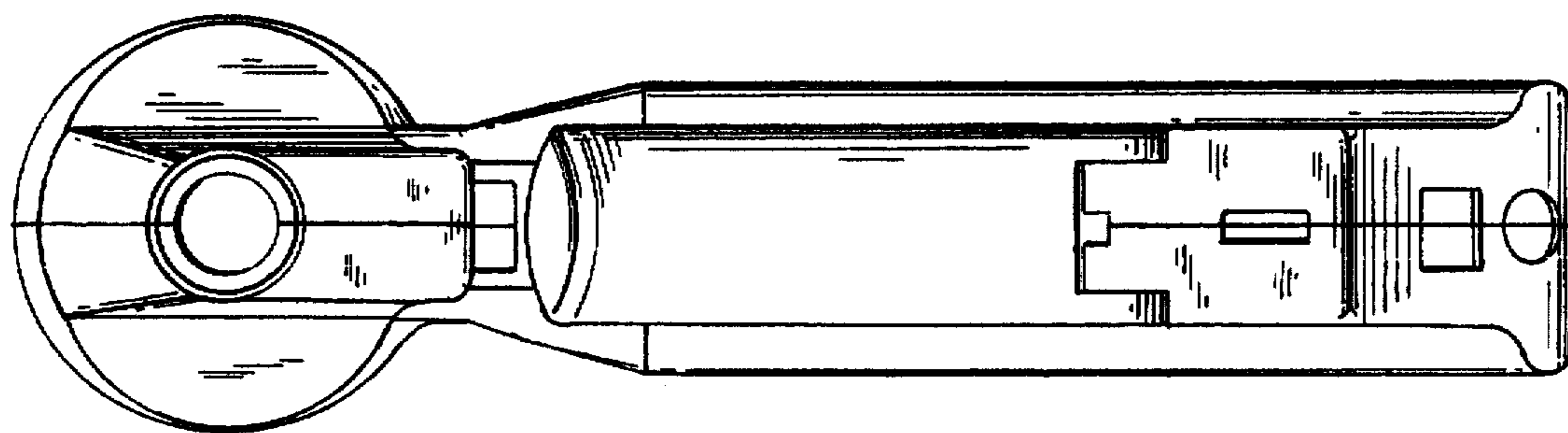


FIG. 5

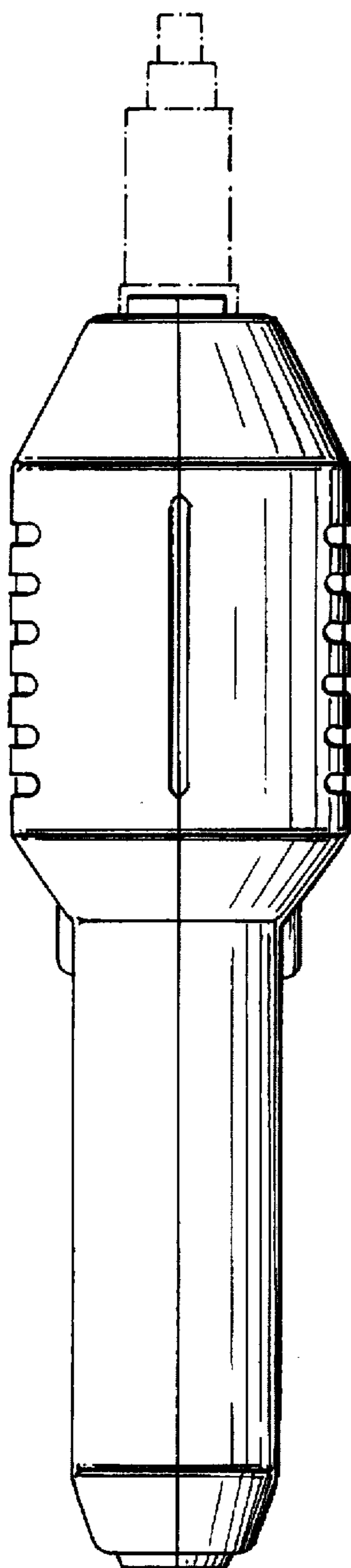


FIG. 3

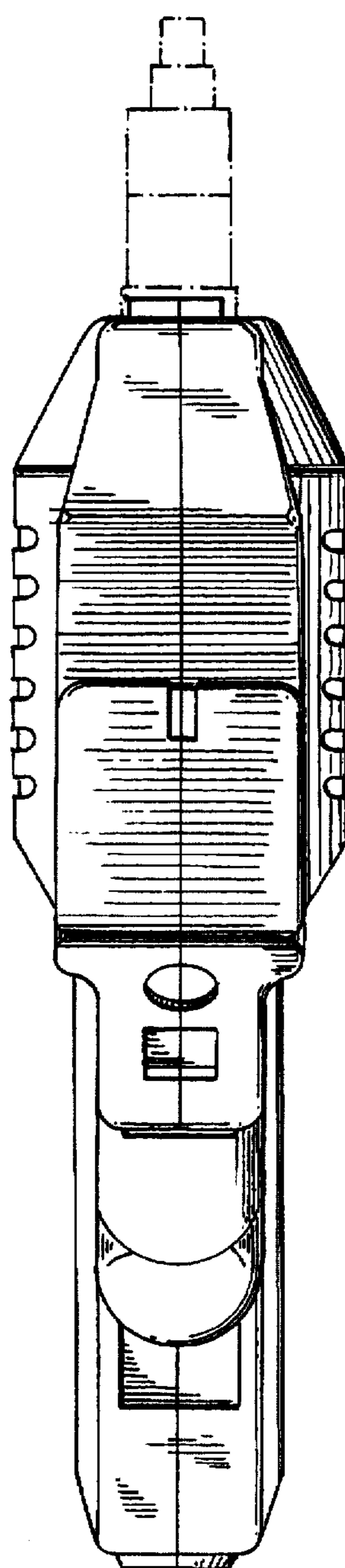


FIG. 4