



US00D386953S

United States Patent [19]

[11] Patent Number: **Des. 386,953**

Fiore

[45] Date of Patent: ****Dec. 2, 1997**

[54] **COMBINED TRASH AND RECYCLABLE GARBAGE COMPACTING DEVICE**

Primary Examiner—Prabhakar G. Deshmukh
Assistant Examiner—Richelle Shelton

[76] Inventor: **Rachel Fiore**, 720 W. Commodore Blvd., Jackson, N.J. 08527

[57] **CLAIM**

[**] Term: **14 Years**

The ornamental design for a combined trash and recyclable garbage compacting device, as shown and described.

[21] Appl. No.: **54,040**

DESCRIPTION

[22] Filed: **May 6, 1996**

FIG. 1 is a front elevational view of a combined trash and recyclable garbage compacting device showing my new design, the rear elevational view being a mirror image;

[51] LOC (6) Cl. **08-05**

[52] U.S. Cl. **D8/14**

FIG. 2 is an exploded rear elevational view thereof, the exploded front elevational view being a mirror image;

[58] Field of Search **D8/14; D32/35; D7/682; 81/488; 100/295, 902; 241/169.2; 294/1.1; 254/1**

FIG. 3 is a left side elevational view thereof;

FIG. 4 is a right side elevational view thereof;

[56] **References Cited**

FIGS. 1-4 are shown fragmented to indicate that, for ease of illustration, a precise length of the article is not claimed.

U.S. PATENT DOCUMENTS

FIG. 5 is a top plan view thereof; and,

FIG. 6 is a bottom plan view thereof.

D. 32,189	2/1900	Myers	D8/14
D. 256,770	9/1980	Broyles	D8/14
D. 260,220	8/1981	Caffee	D32/35
D. 269,302	6/1983	Auerbach	D8/14

1 Claim, 3 Drawing Sheets

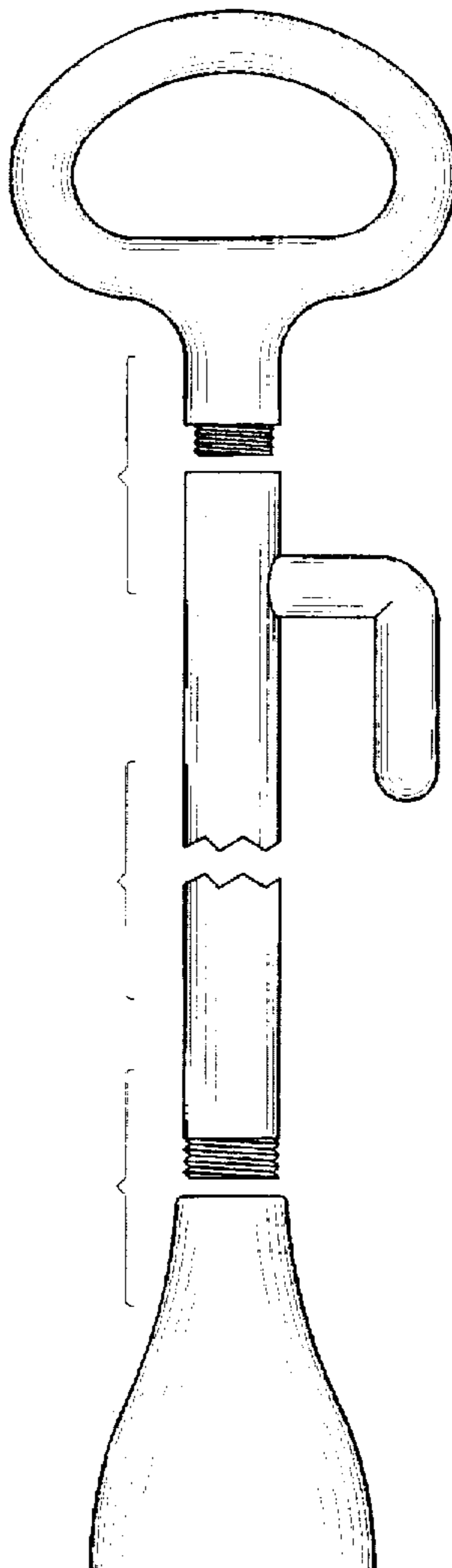


FIG. 1

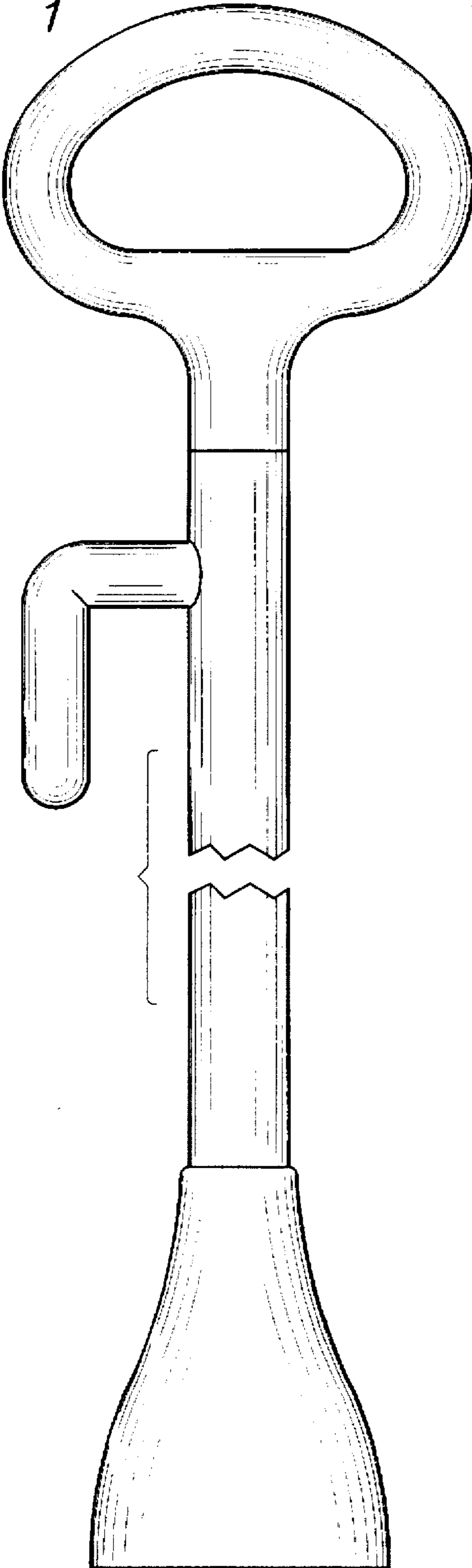


FIG. 2

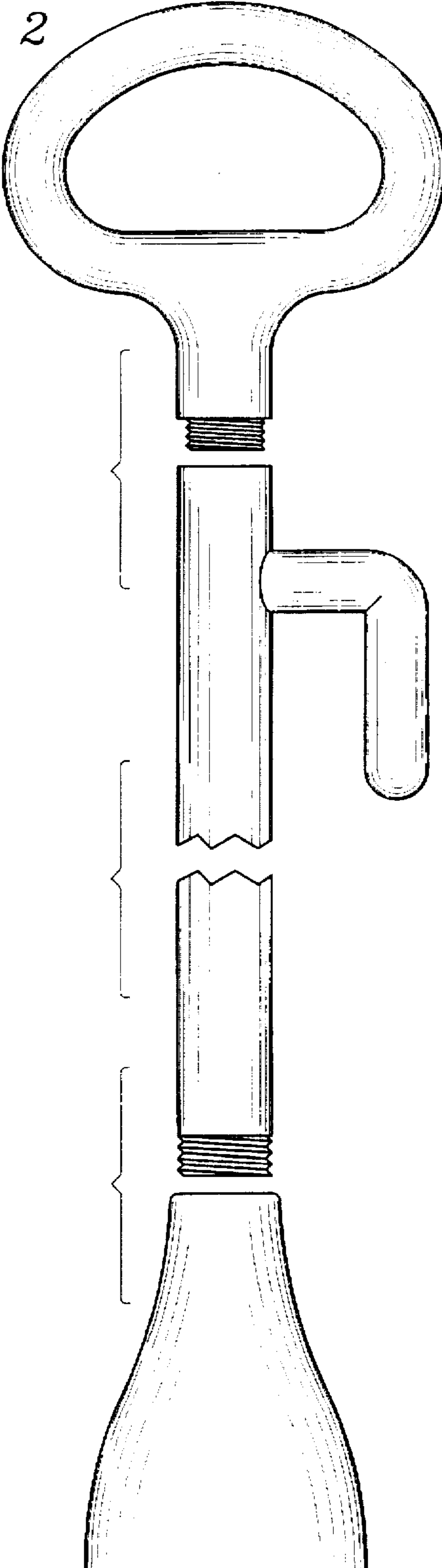


FIG. 3

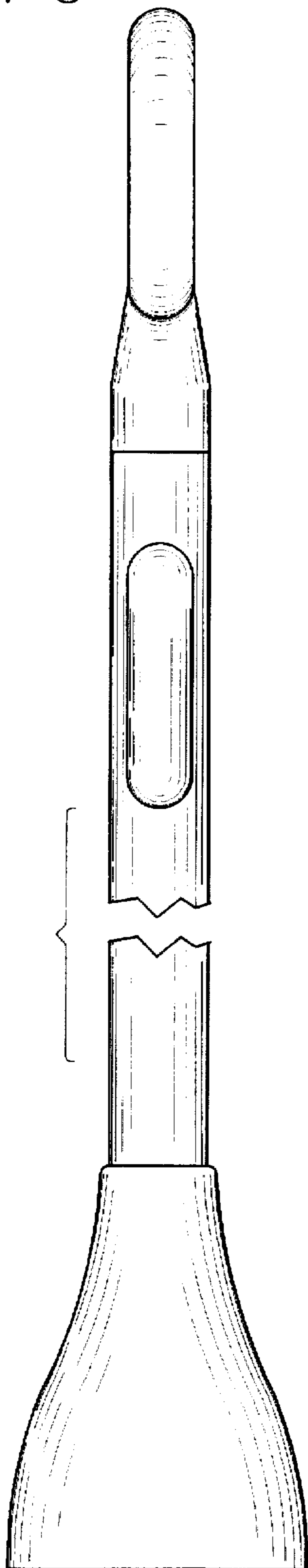


FIG. 4

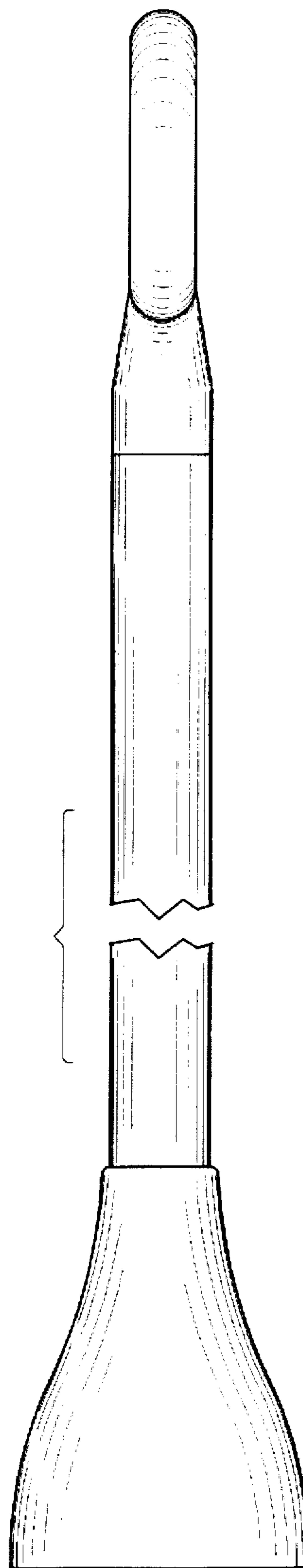


FIG. 5

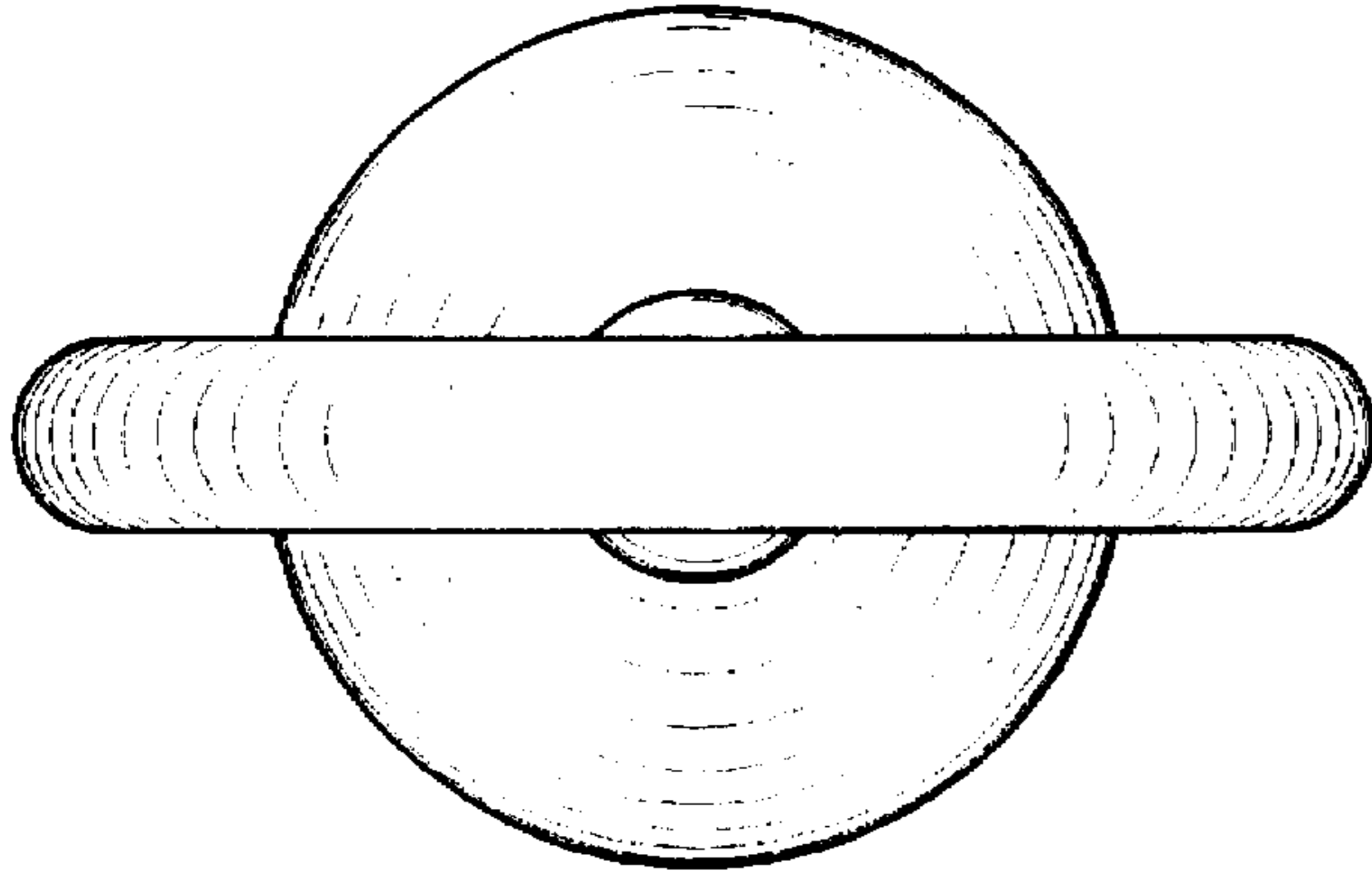


FIG. 6

