



US00D386950S

United States Patent [19]

[11] Patent Number: Des. 386,950

Dettmar

[45] Date of Patent: **Dec. 2, 1997

[54] CONTAINER PRIMARILY IN THE FORM OF A FLASK

[75] Inventor: Gary Dettmar, Braintree, Great Britain

[73] Assignee: Thermos Limited, Essex, United Kingdom

[**] Term: 14 Years

[21] Appl. No.: 54,786

[22] Filed: May 21, 1996

[30] Foreign Application Priority Data

Apr. 10, 1996	[GB]	United Kingdom	2055434
Apr. 10, 1996	[GB]	United Kingdom	2055435
Apr. 10, 1996	[GB]	United Kingdom	2055436

[51] LOC (6) Cl. 07-01

[52] U.S. Cl. D7/608

[58] Field of Search D7/605-608, 312-322; D9/500, 503, 504, 529, 549; 62/457.2-457.5; 215/6, 12.1, 12.2, 13.1; 220/412, 903

[56] References Cited

U.S. PATENT DOCUMENTS

D. 222,521	10/1971	Johnson	D7/608
D. 296,645	7/1988	Seeley	D7/608
3,261,491	7/1966	Bramming	215/12.1
3,356,243	12/1967	Piker	215/13.1
3,465,905	9/1969	Schottanes	D7/608 X

OTHER PUBLICATIONS

Sears, Roebuck & Co. Brochure, Vacuum bottle #7332, 7333.

Primary Examiner—Sandra L. Morris

Attorney, Agent, or Firm—McCormick, Paulding & Huber

[57] CLAIM

The ornamental design for a container primarily in the form of a flask, as shown.

DESCRIPTION

FIG. 1 is a perspective view of a container primarily in the form of a flask showing my new design;

FIG. 2 is a top plan view thereof;

FIG. 3 is a bottom plan view thereof;

FIG. 4 is a side elevation view thereof;

FIG. 5 is an opposite side elevation view thereof;

FIG. 6 is a front elevation view thereof;

FIG. 7 is a rear elevation view thereof;

FIG. 8 is a perspective view of an alternate embodiment of FIG. 1;

FIG. 9 is a top plan view of FIG. 8;

FIG. 10 is a bottom plan view of FIG. 8;

FIG. 11 is a side elevation view of FIG. 8;

FIG. 12 is a an opposite side view of FIG. 8;

FIG. 13 is a front elevation view of FIG. 8;

FIG. 14 is a rear elevation view of FIG. 8;

FIG. 15 is a perspective view of an alternate embodiment of FIG. 1;

FIG. 16 is a top plan view of FIG. 15;

FIG. 17 is a bottom plan view of FIG. 15;

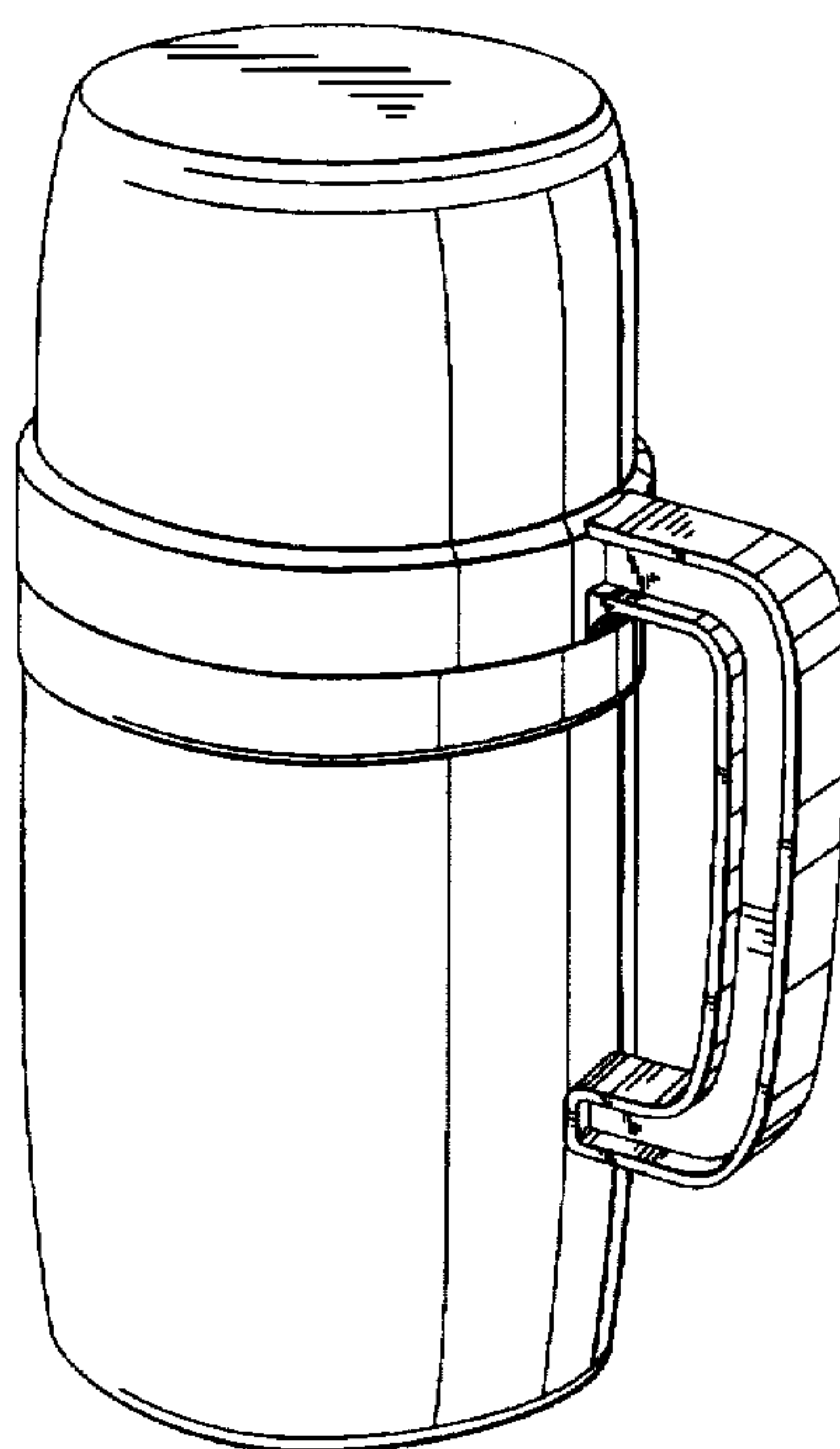
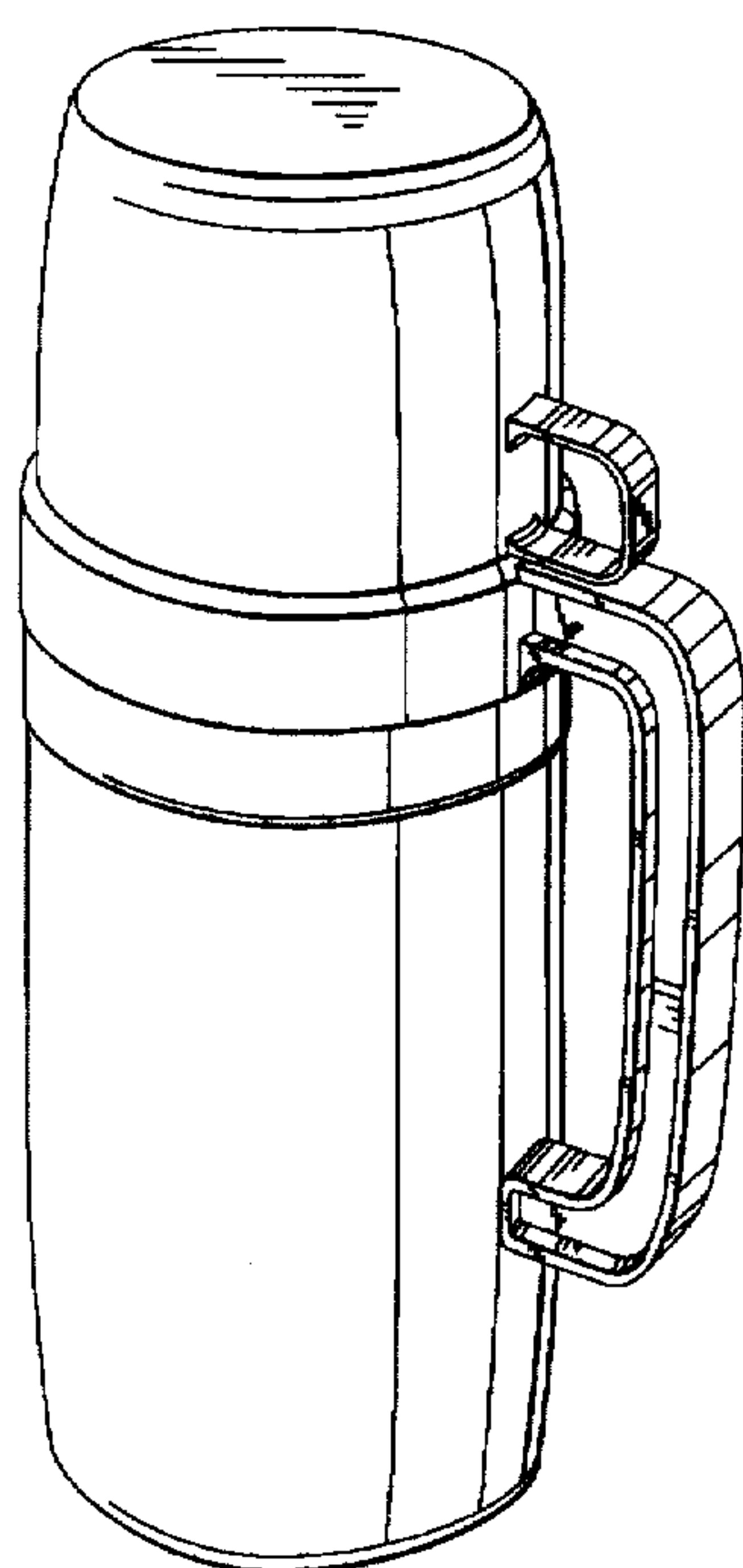
FIG. 18 is a side elevation view of FIG. 15;

FIG. 19 is an opposite side view of FIG. 15;

FIG. 20 is a front elevation view of FIG. 15; and,

FIG. 21 is a rear elevation view of FIG. 15.

1 Claim, 18 Drawing Sheets



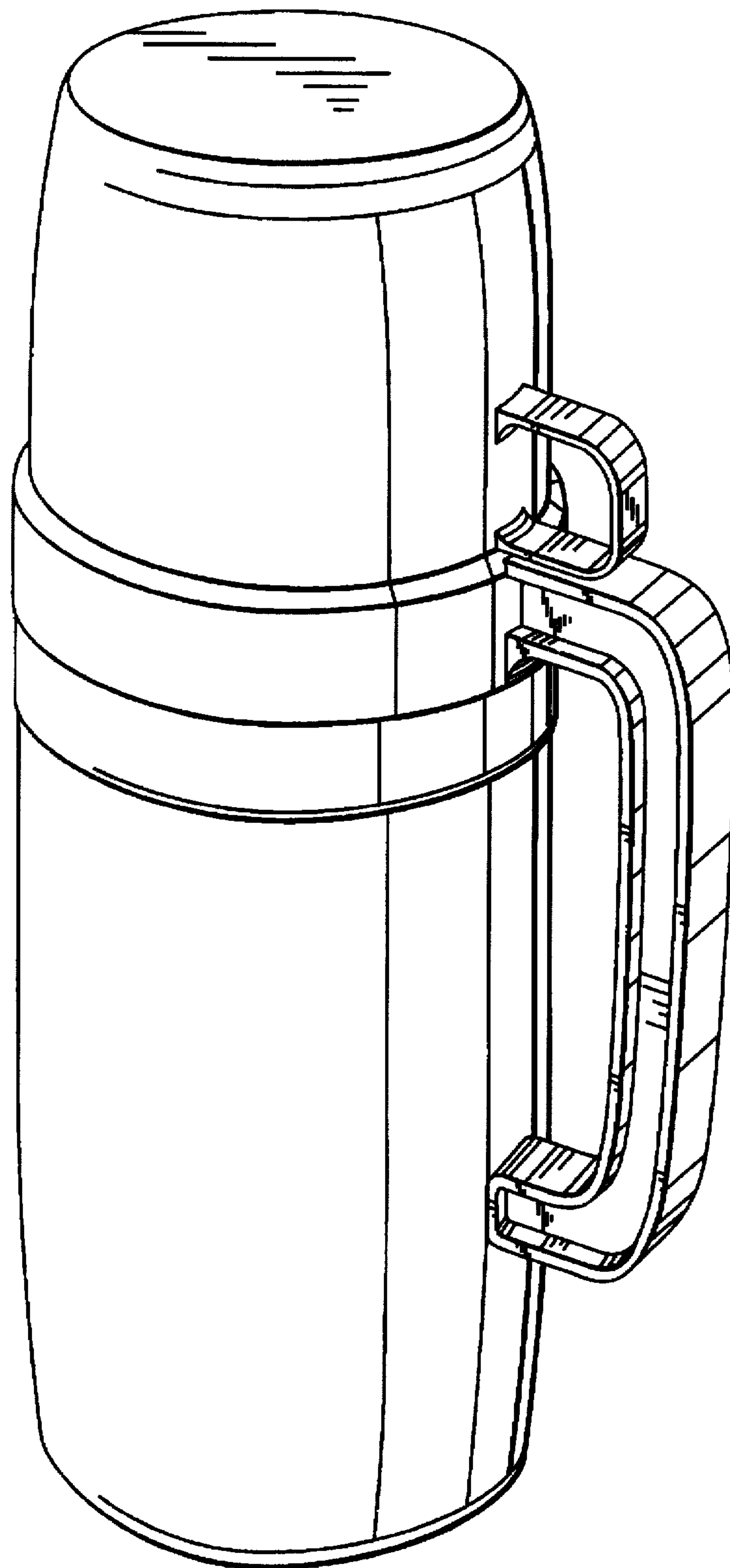


FIG. 1

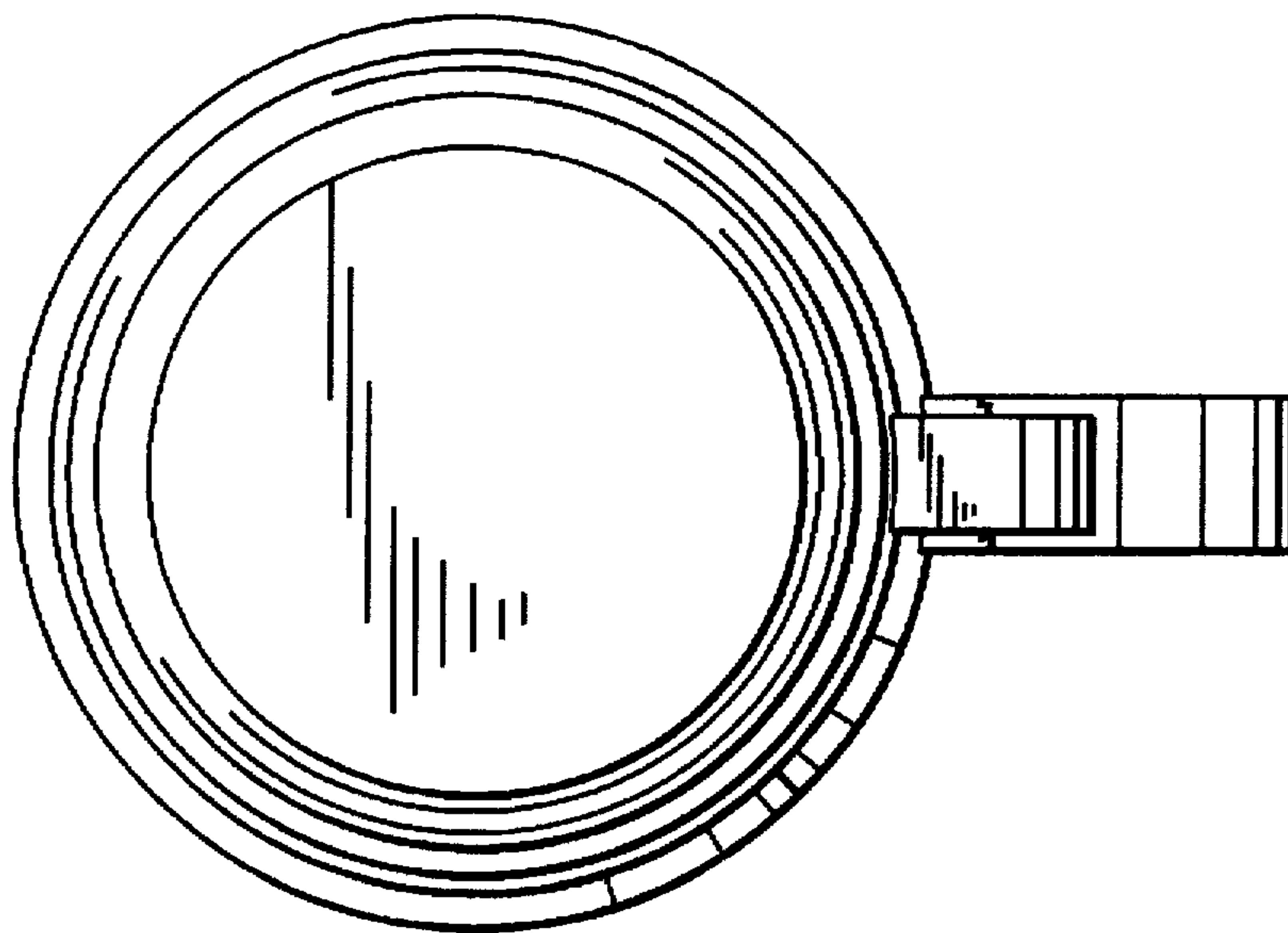


FIG. 2

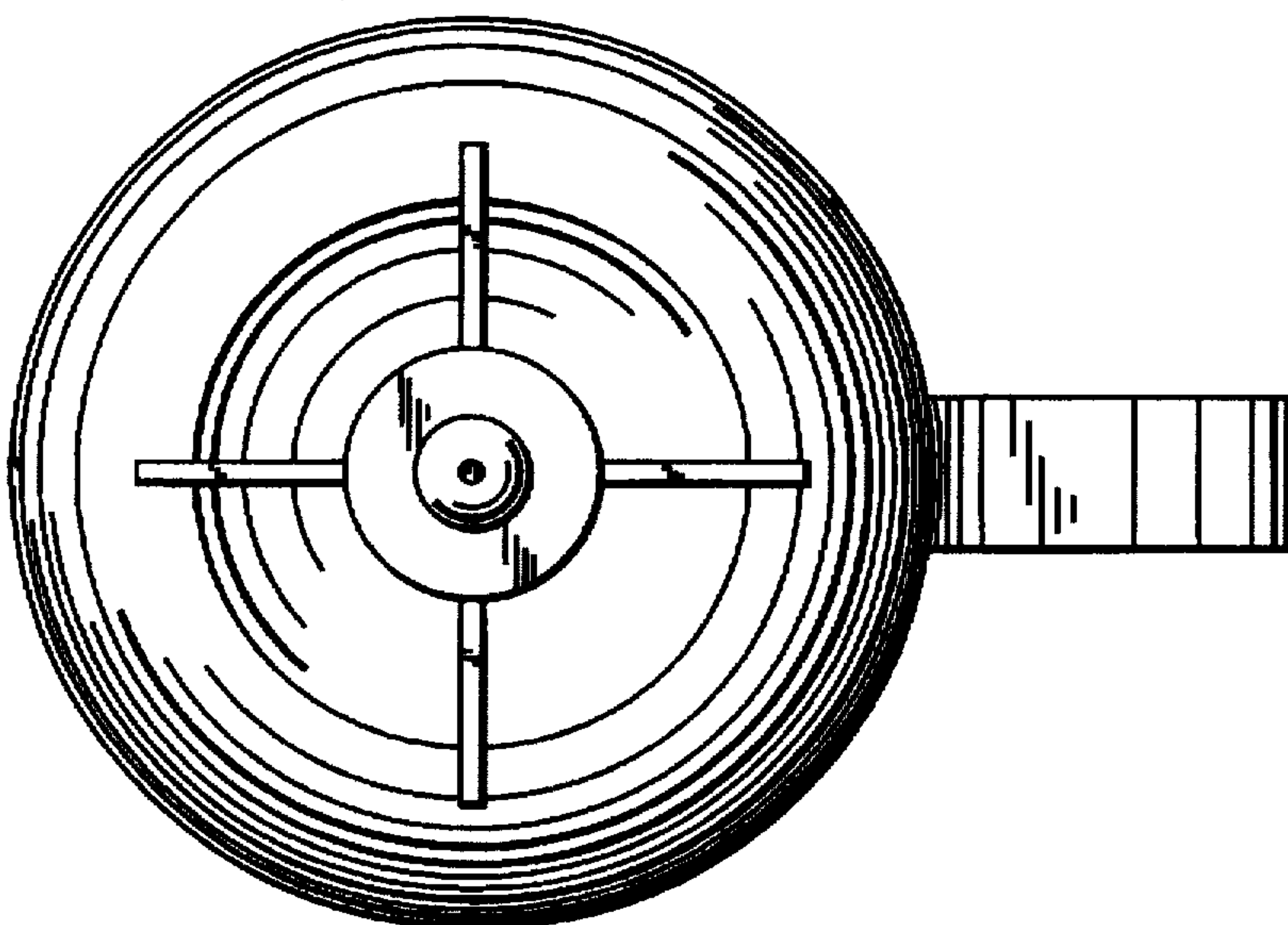


FIG. 3

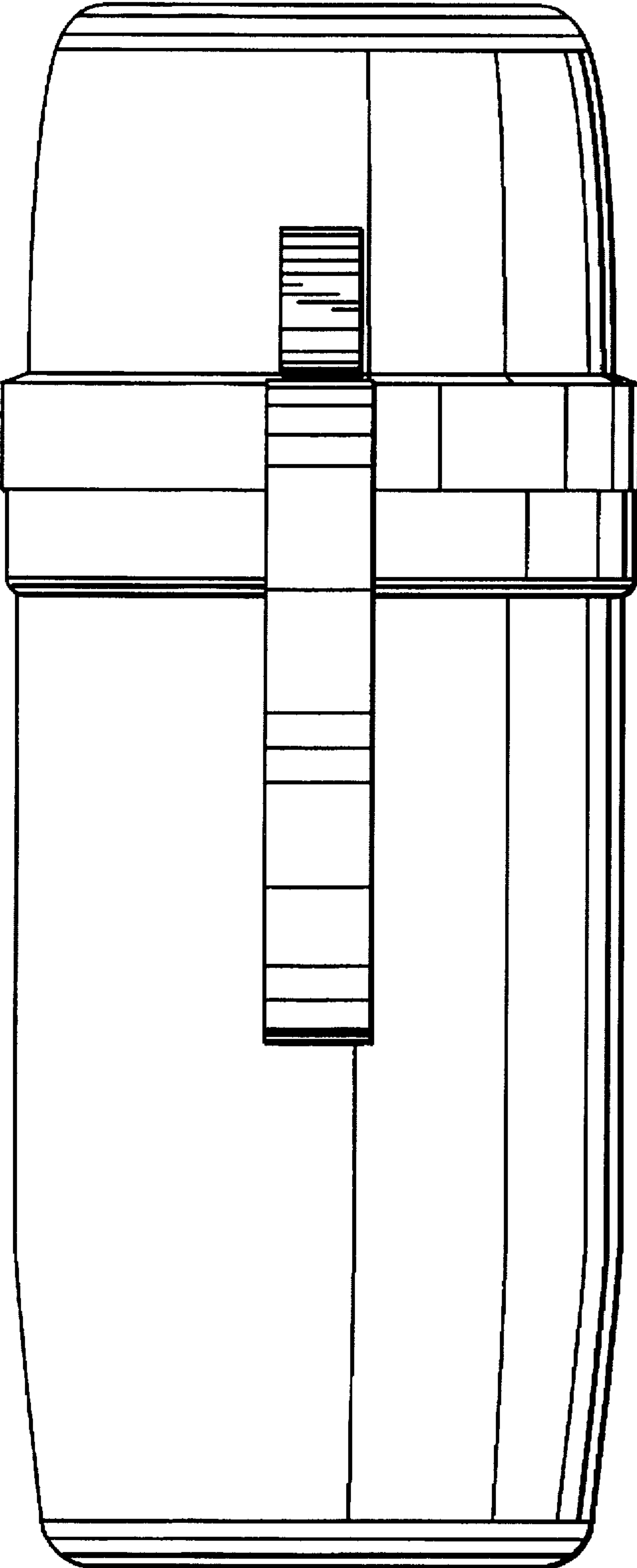


FIG. 4

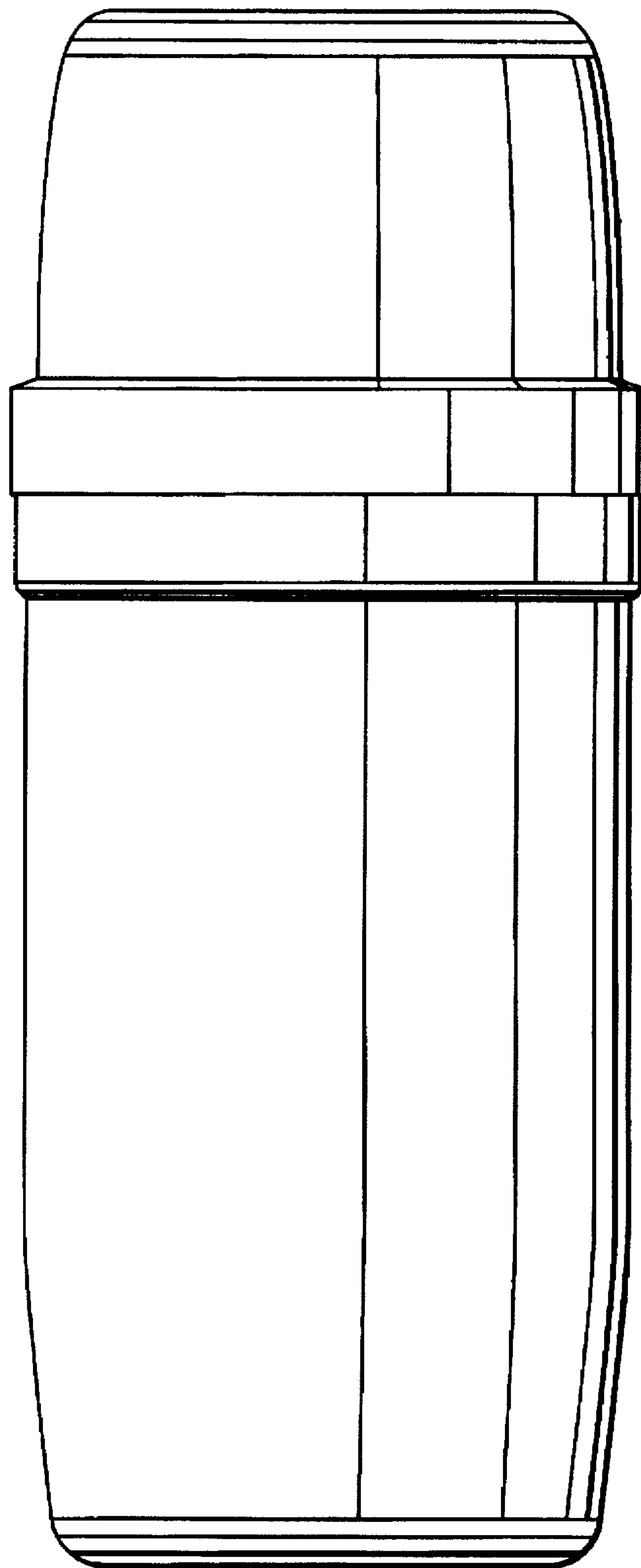


FIG. 5

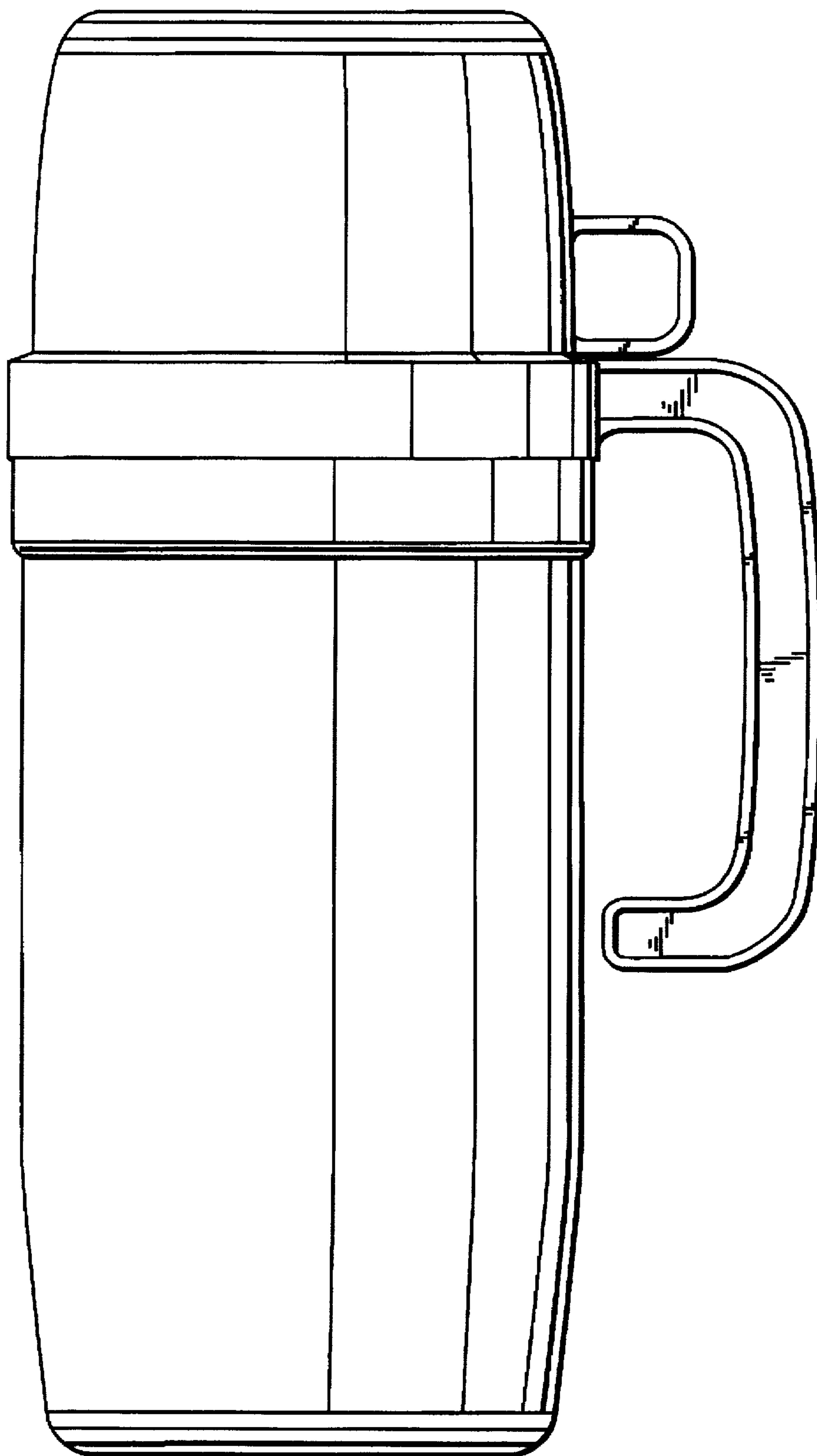


FIG. 6

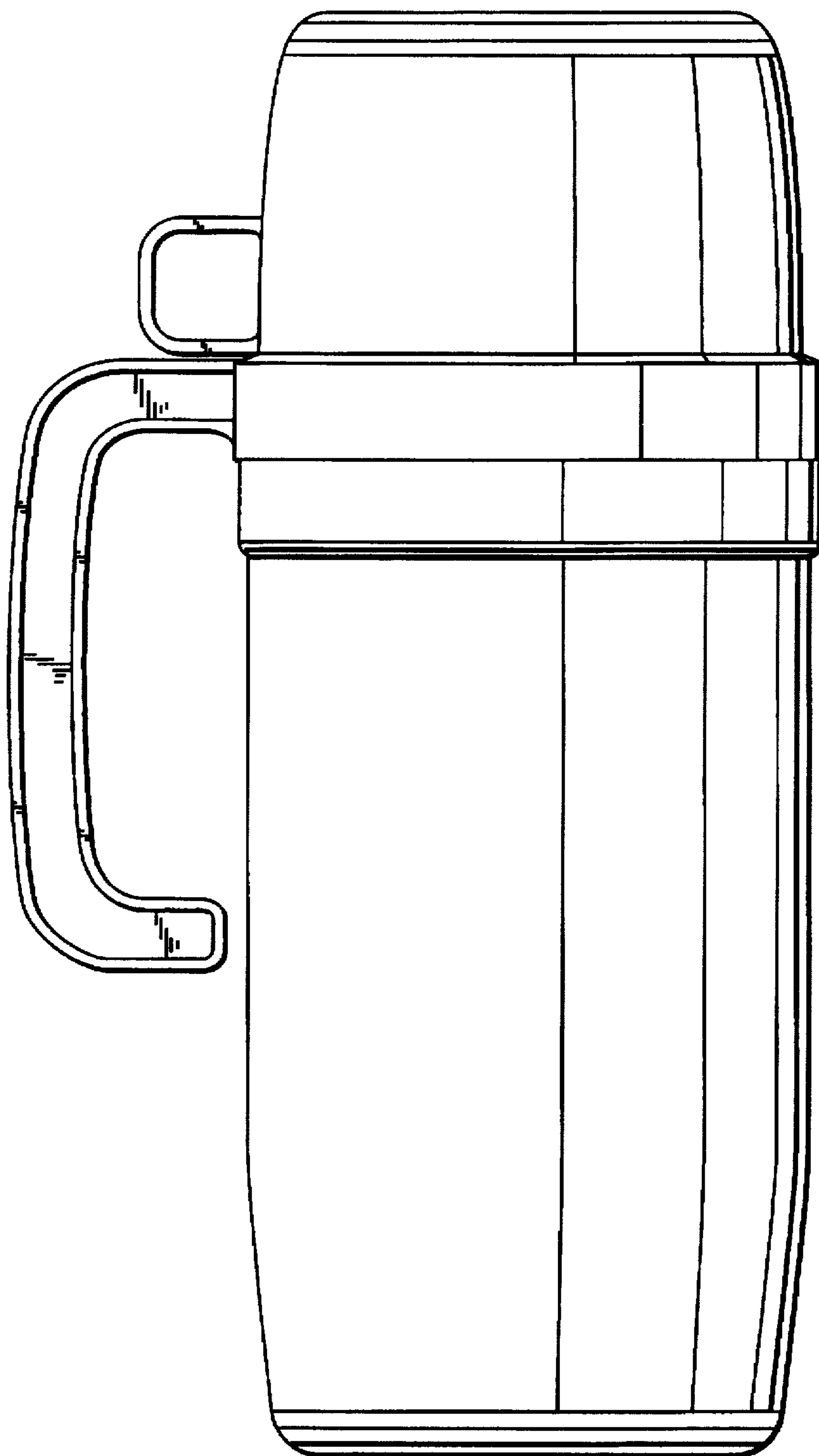


FIG. 7

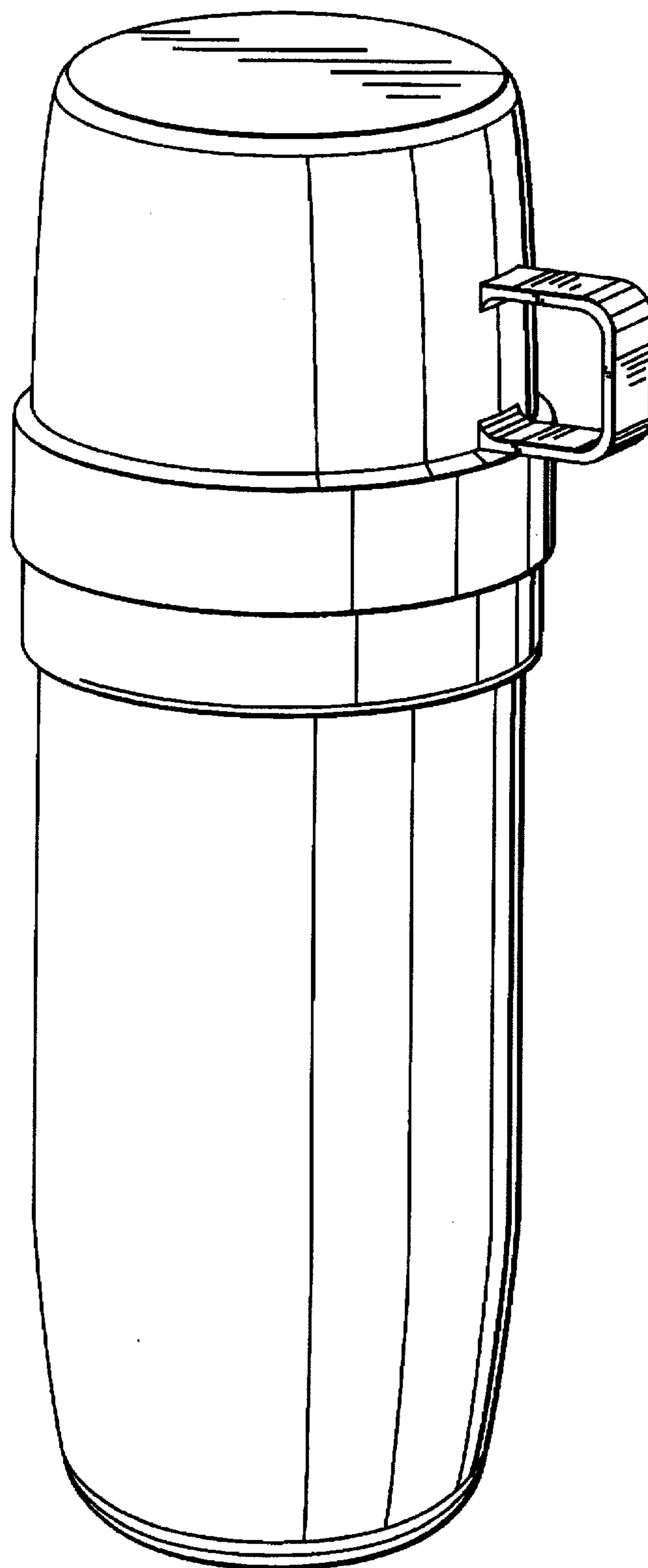


FIG. 8

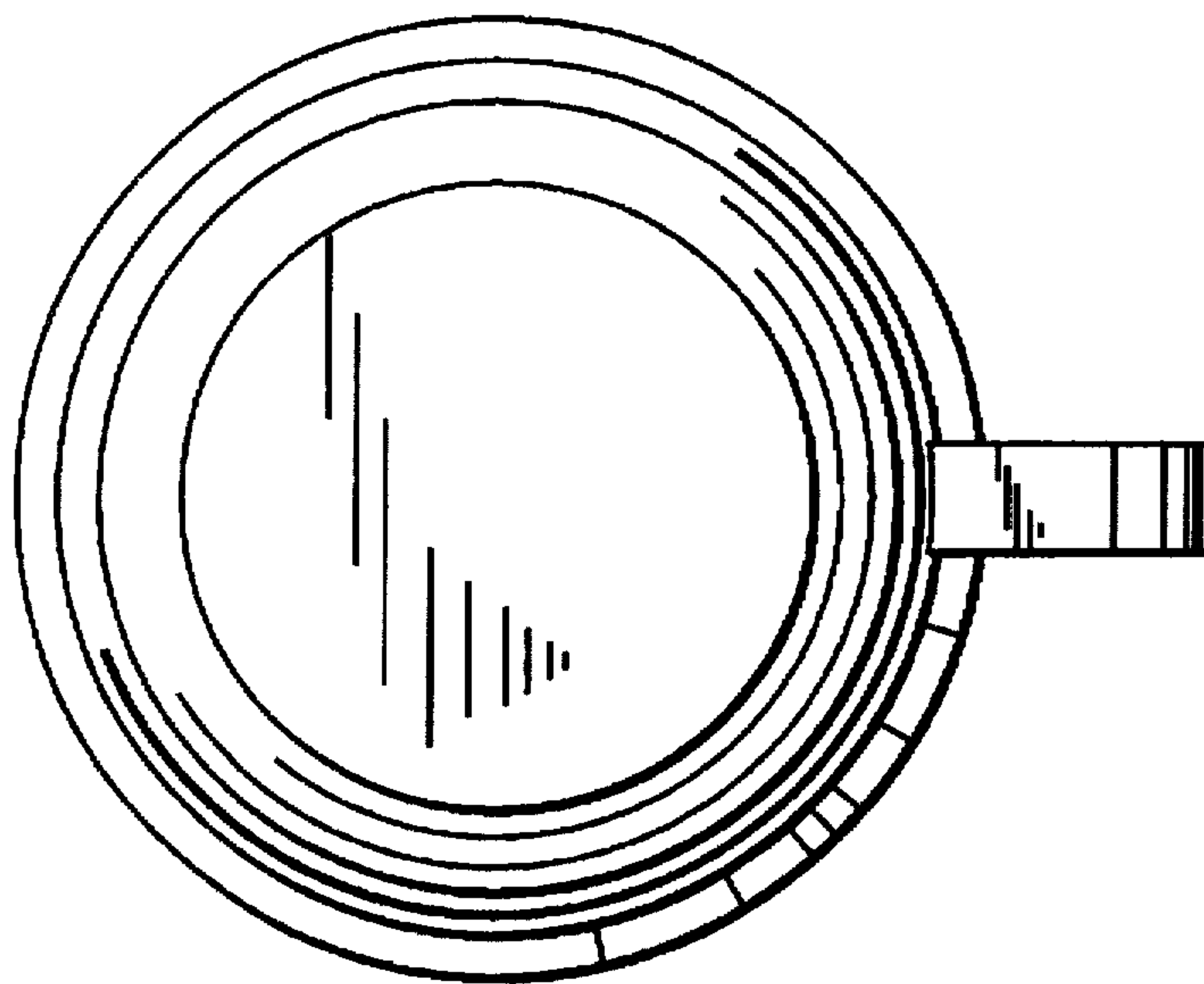


FIG. 9

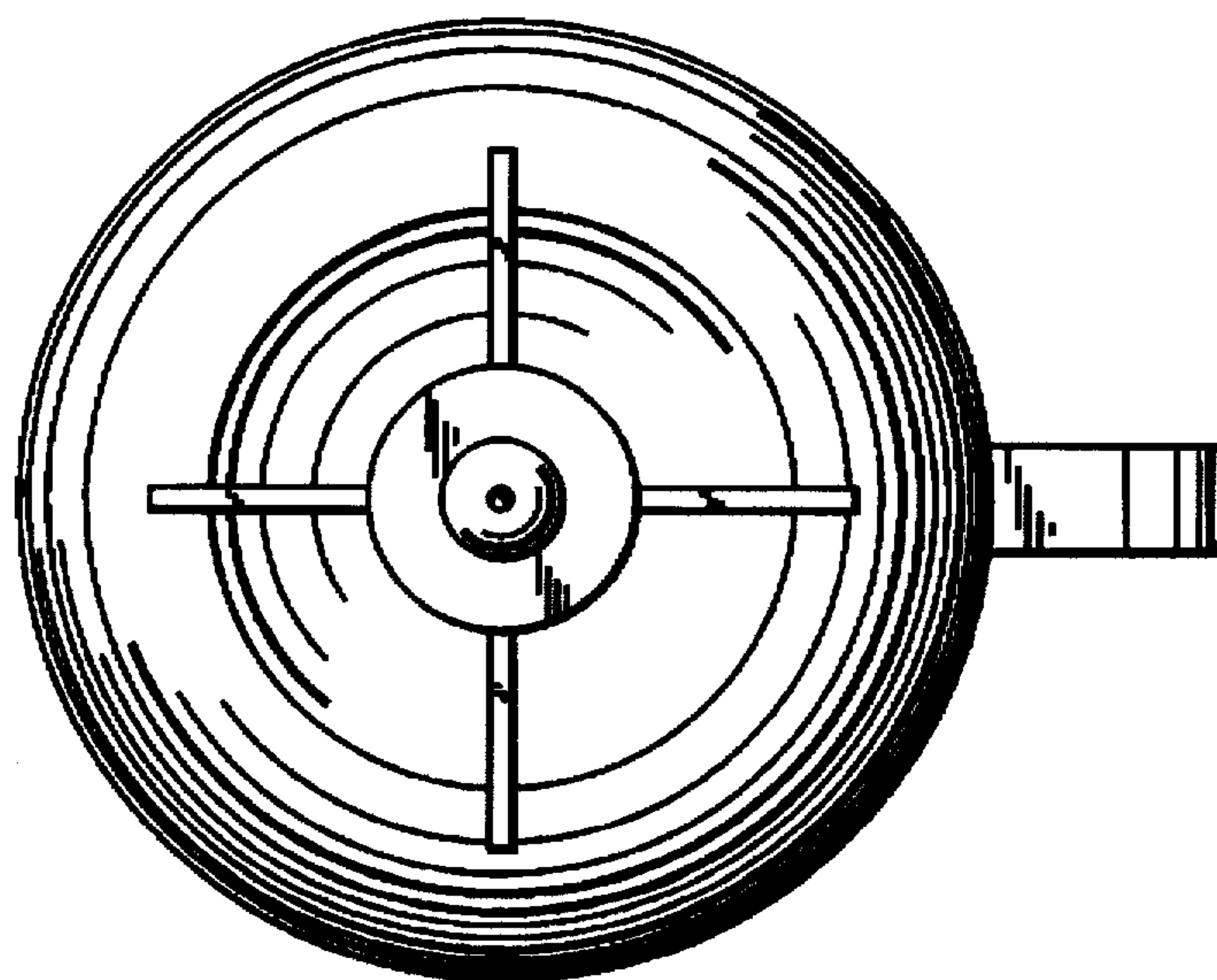


FIG. 10

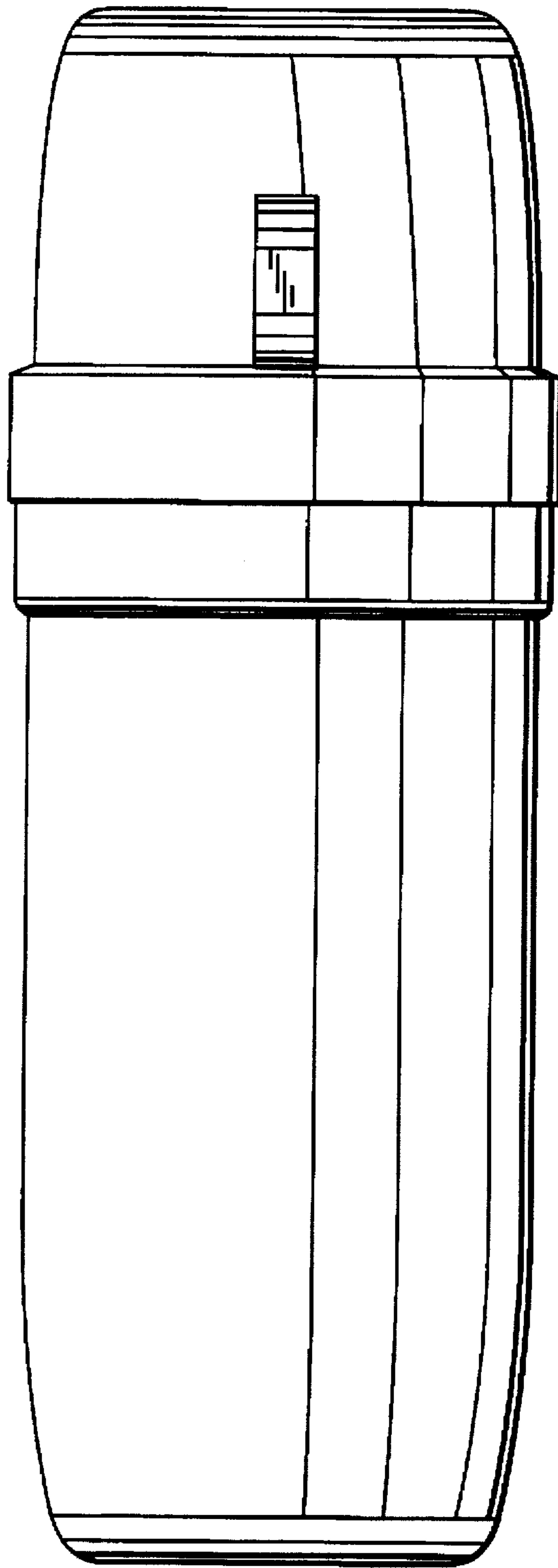


FIG. 11

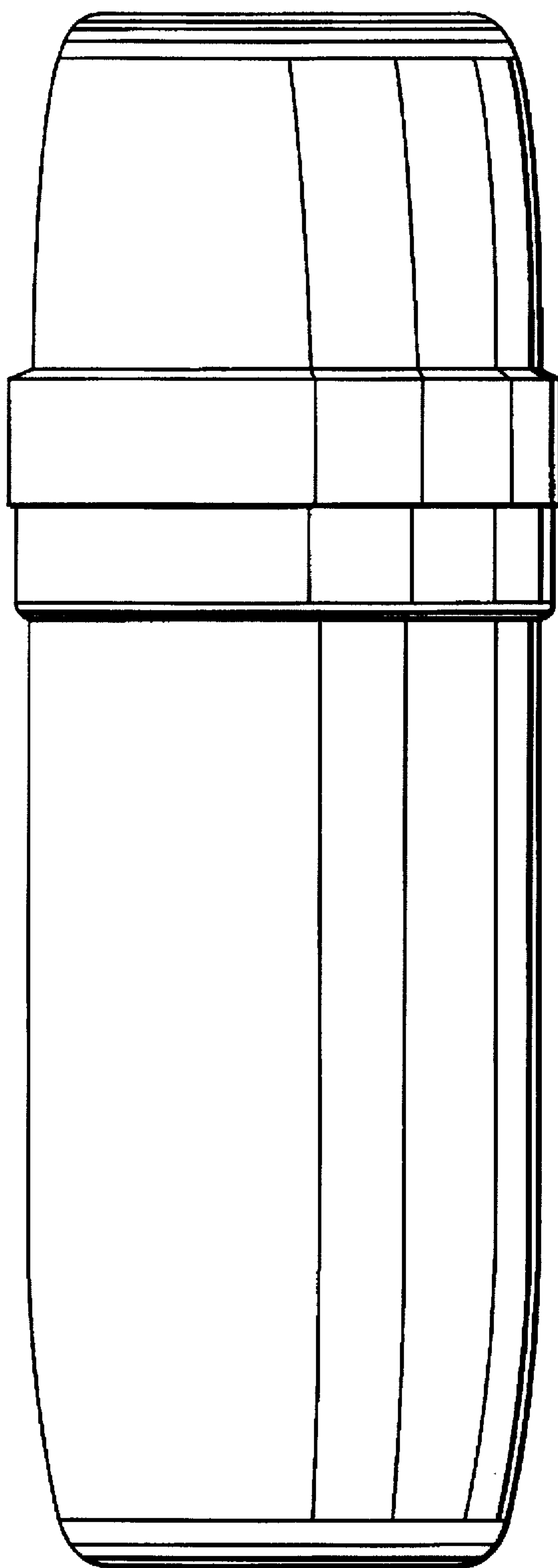


FIG. 12

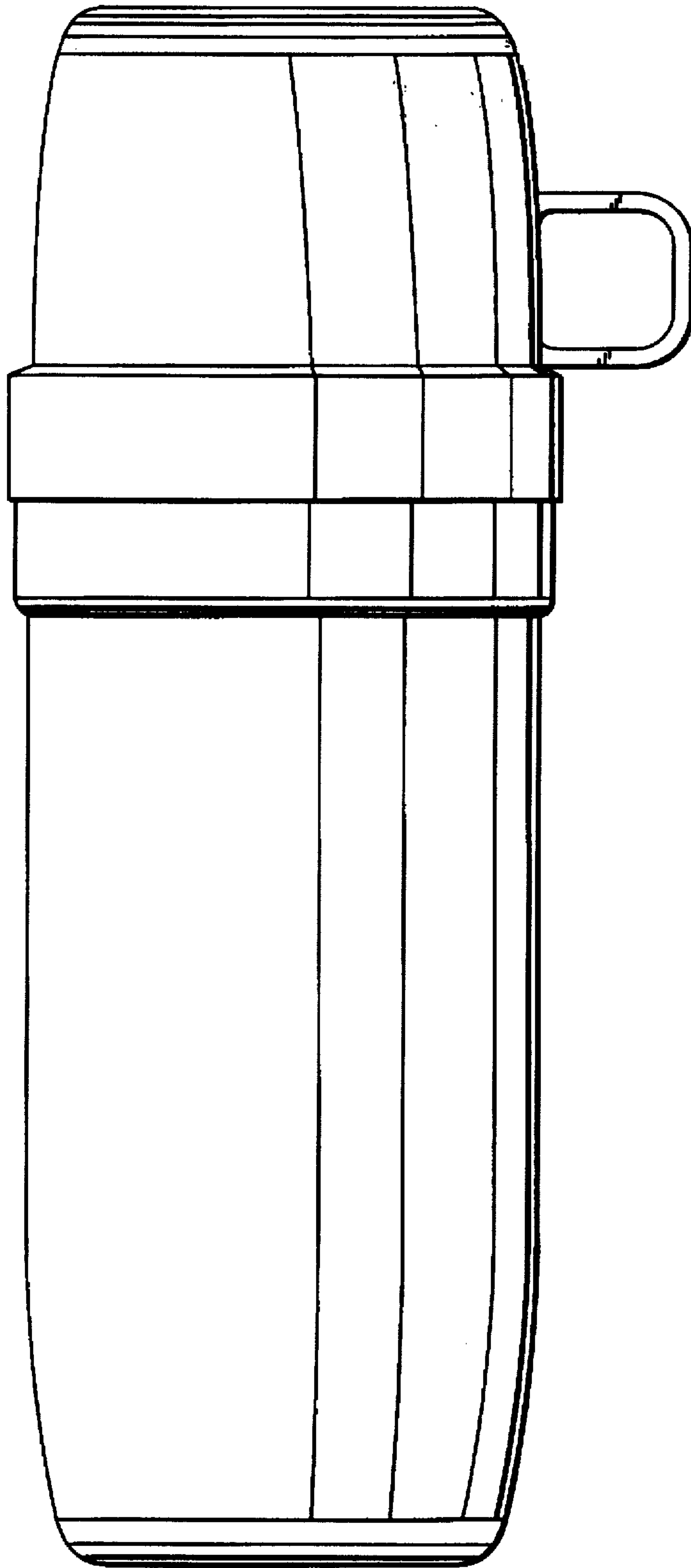


FIG. 13

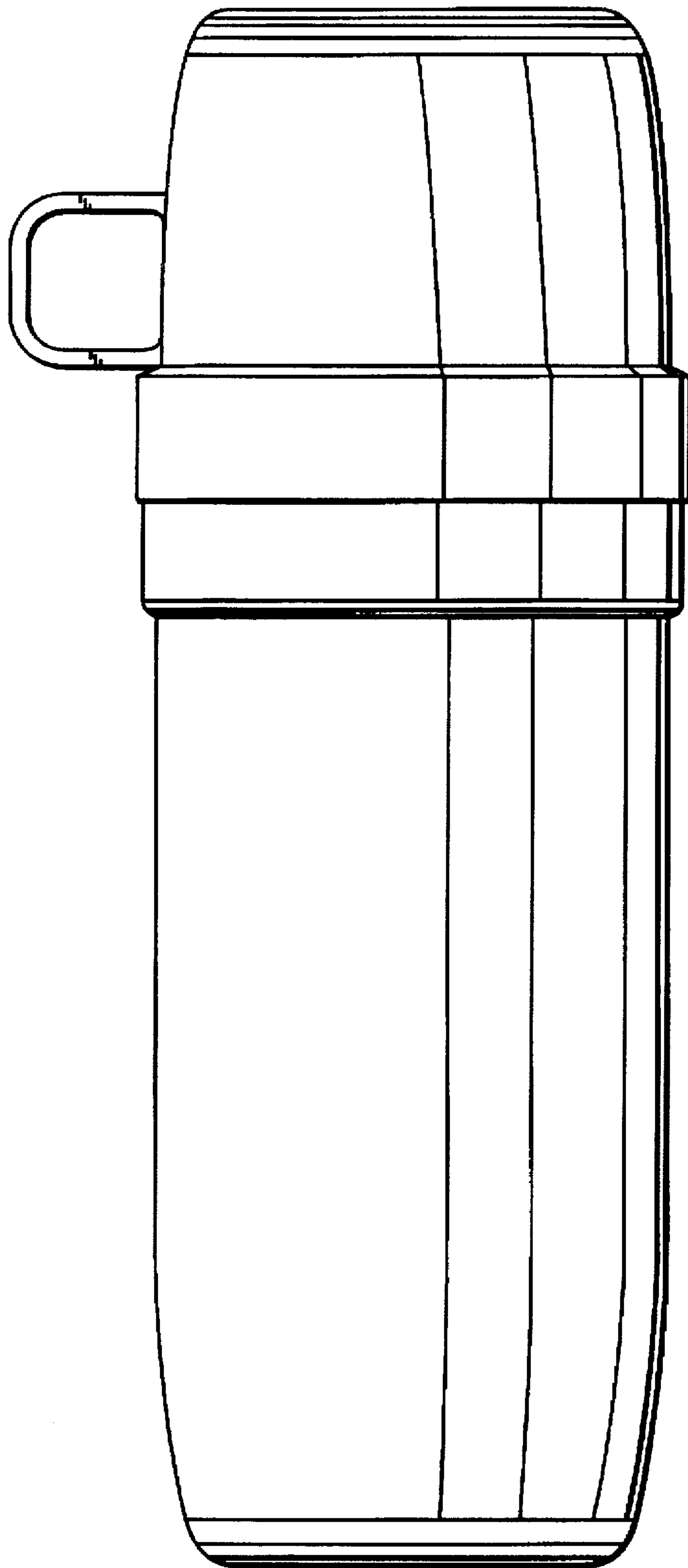


FIG. 14

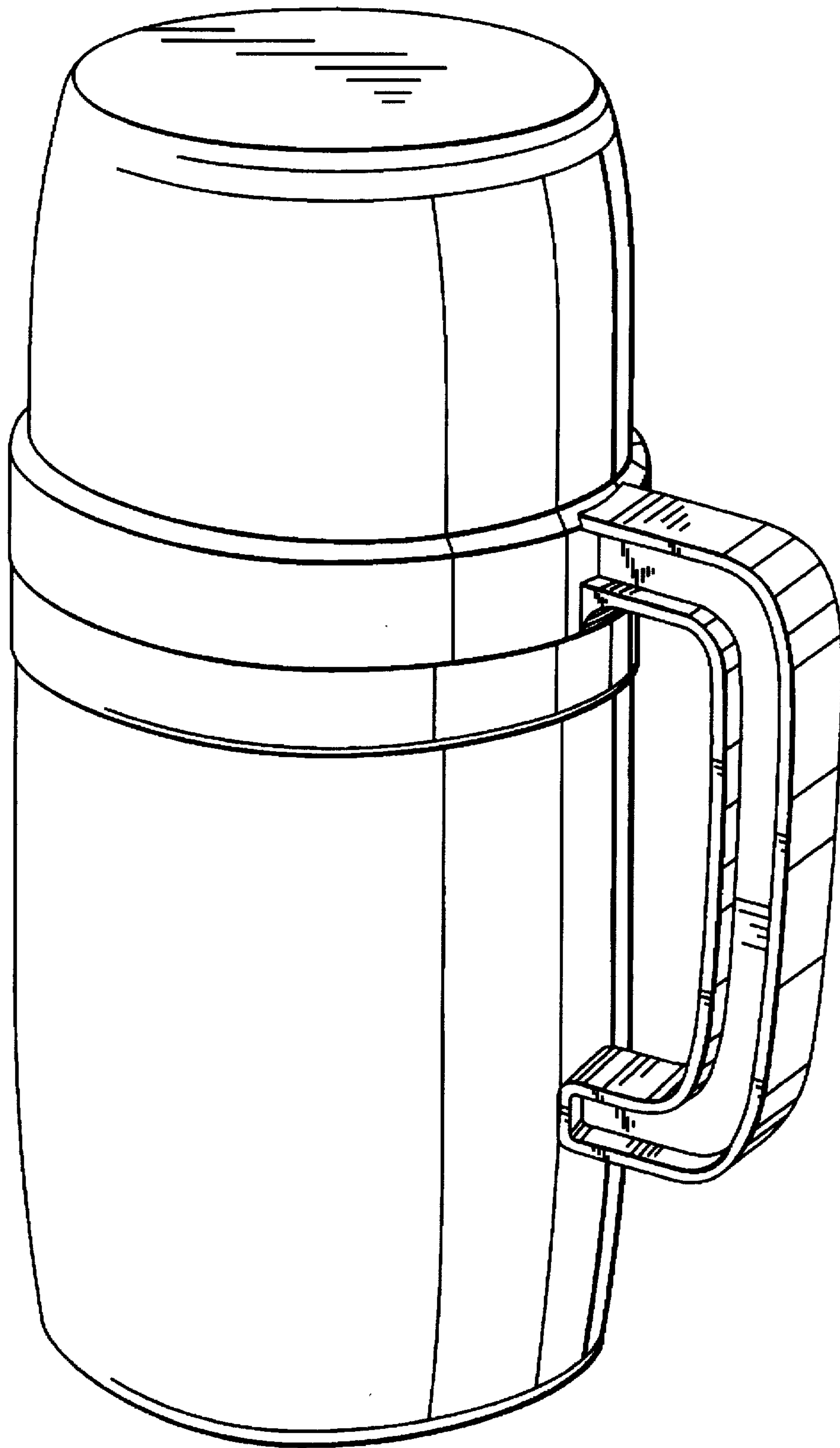


FIG. 15

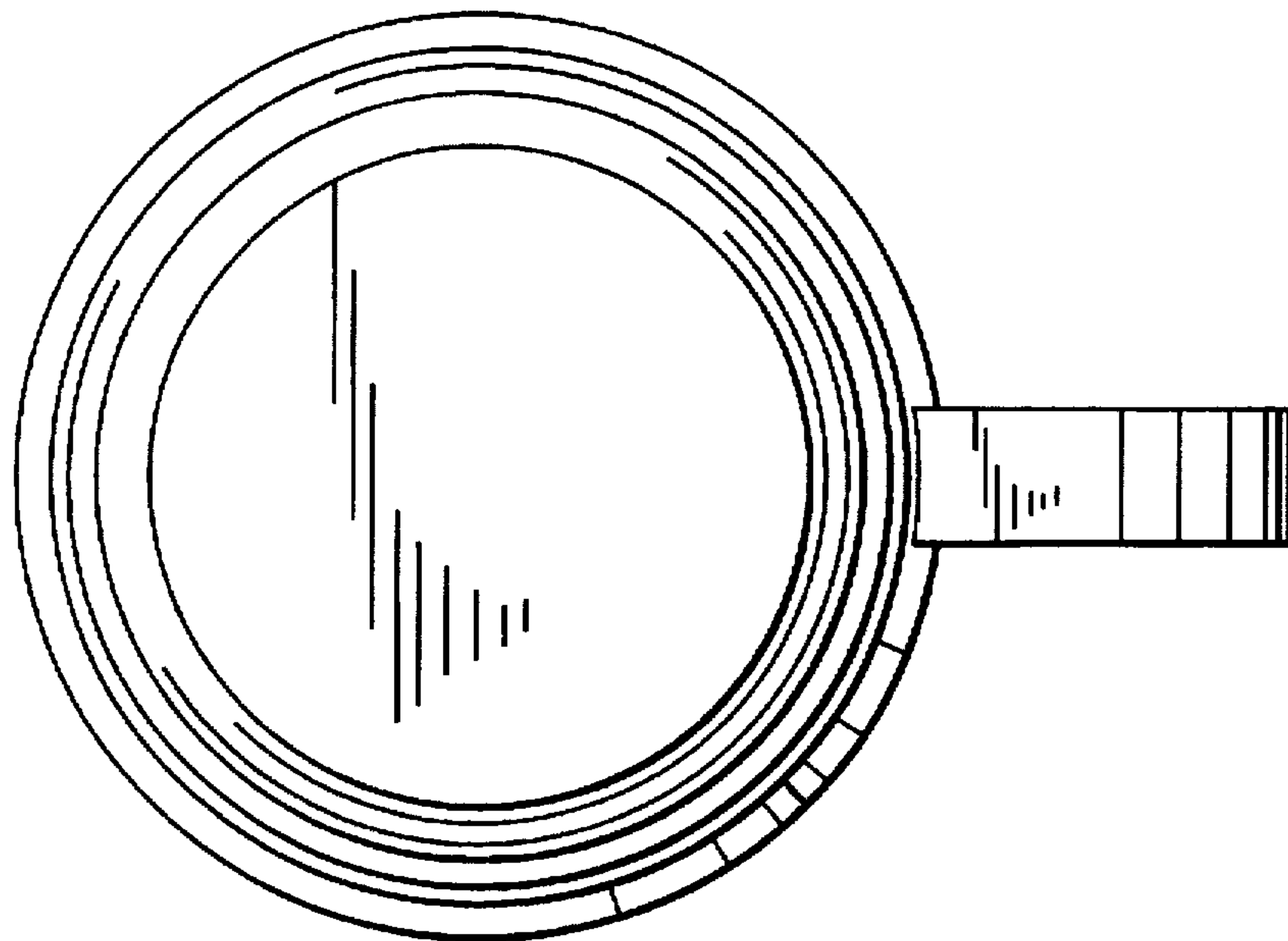


FIG. 16

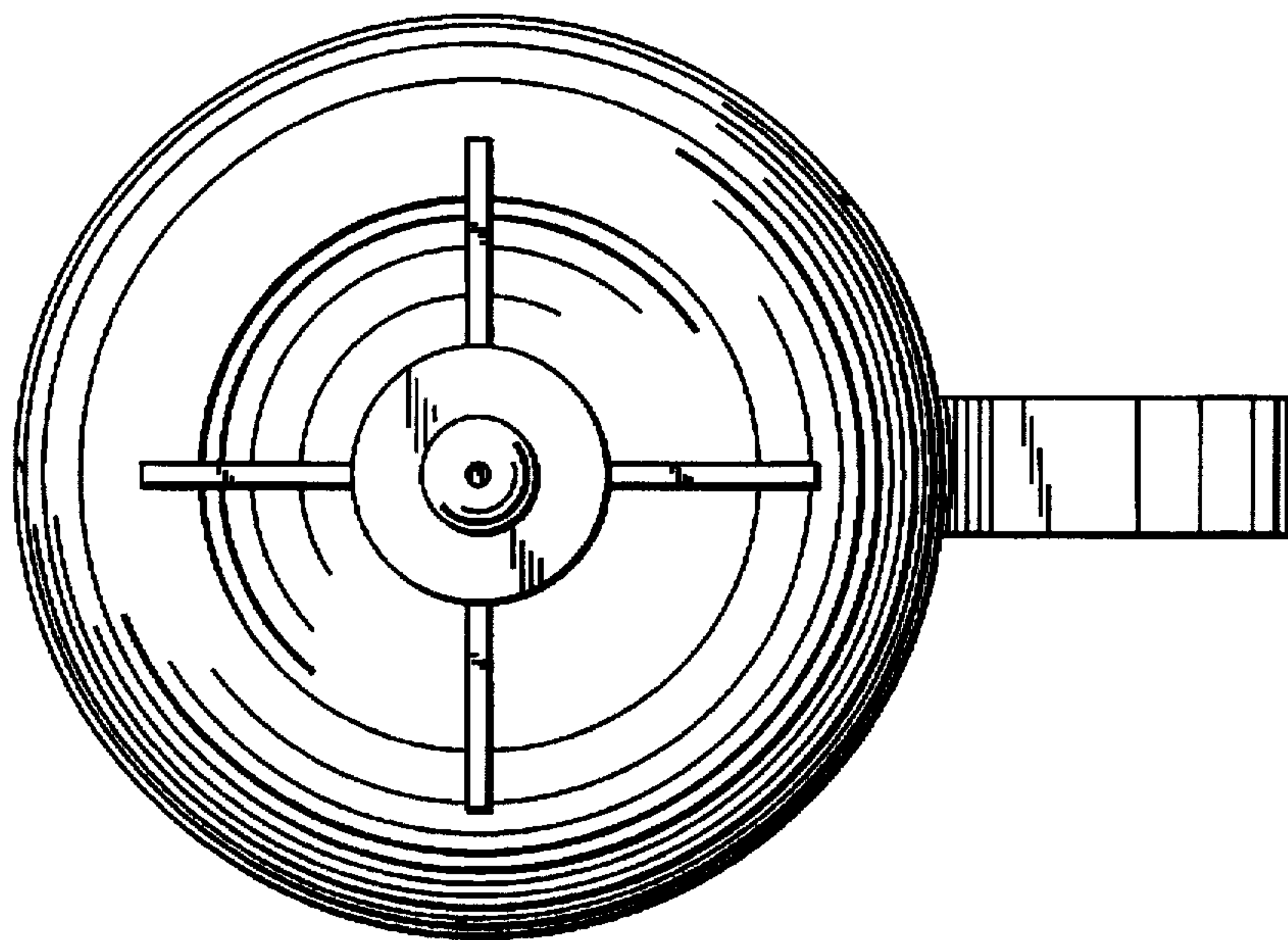


FIG. 17

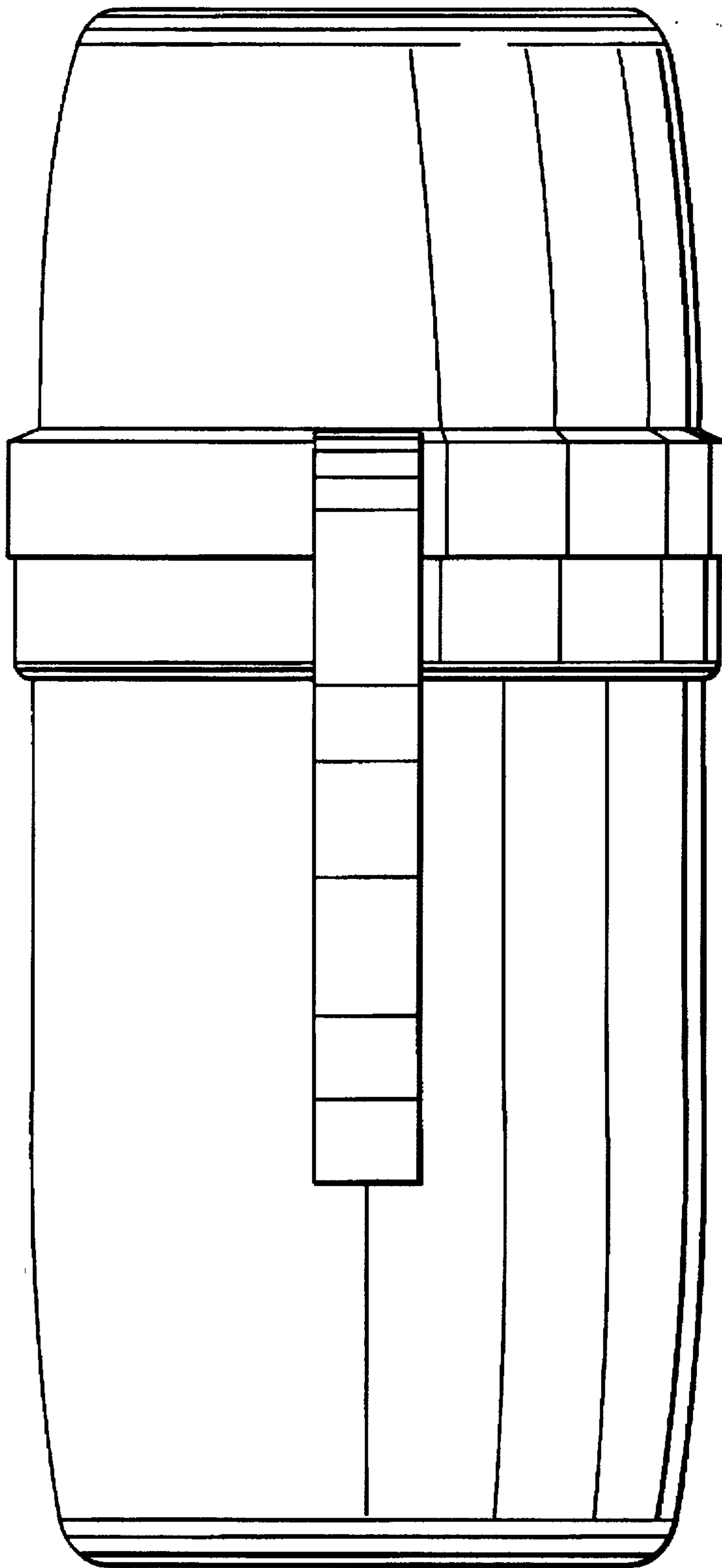


FIG. 18

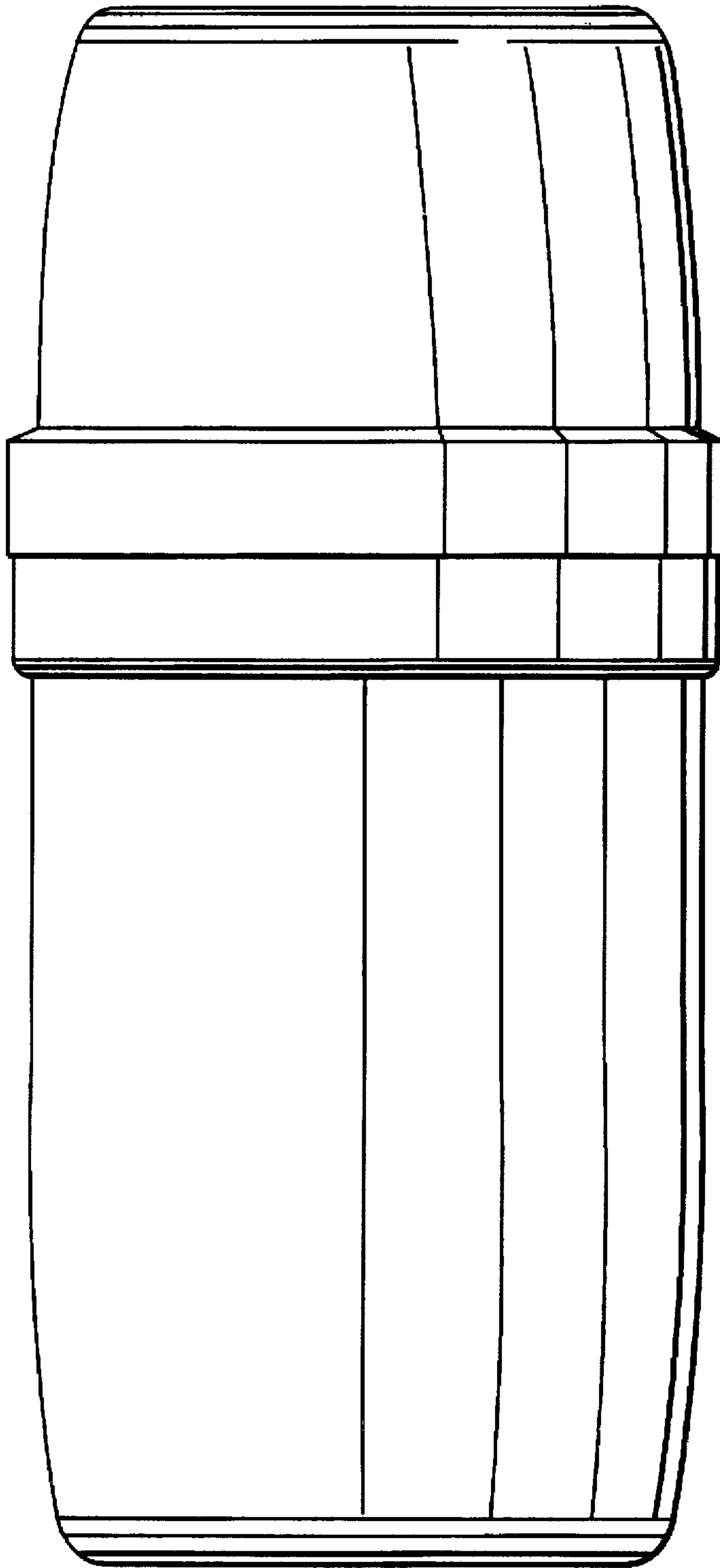


FIG. 19

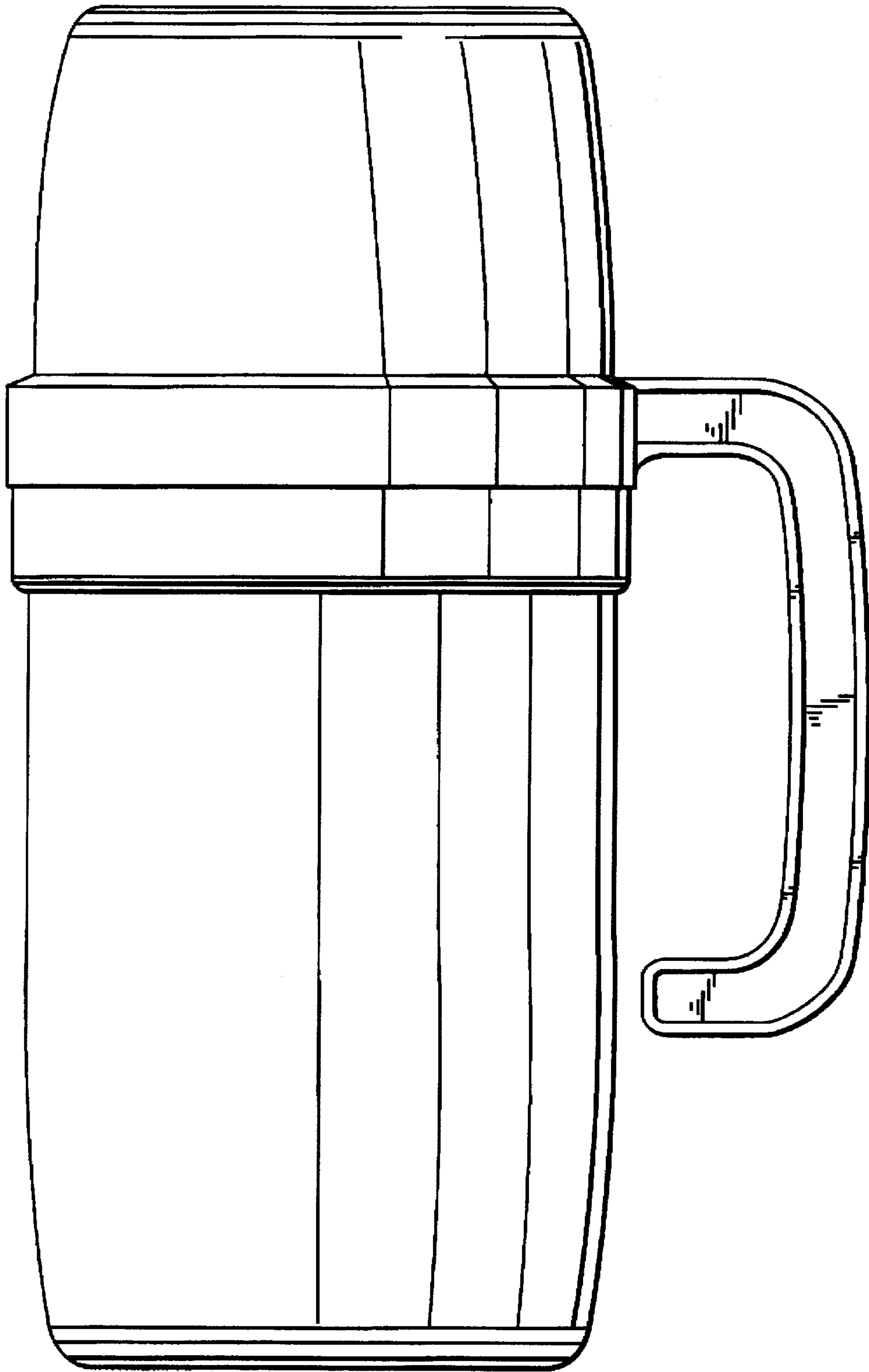


FIG. 20

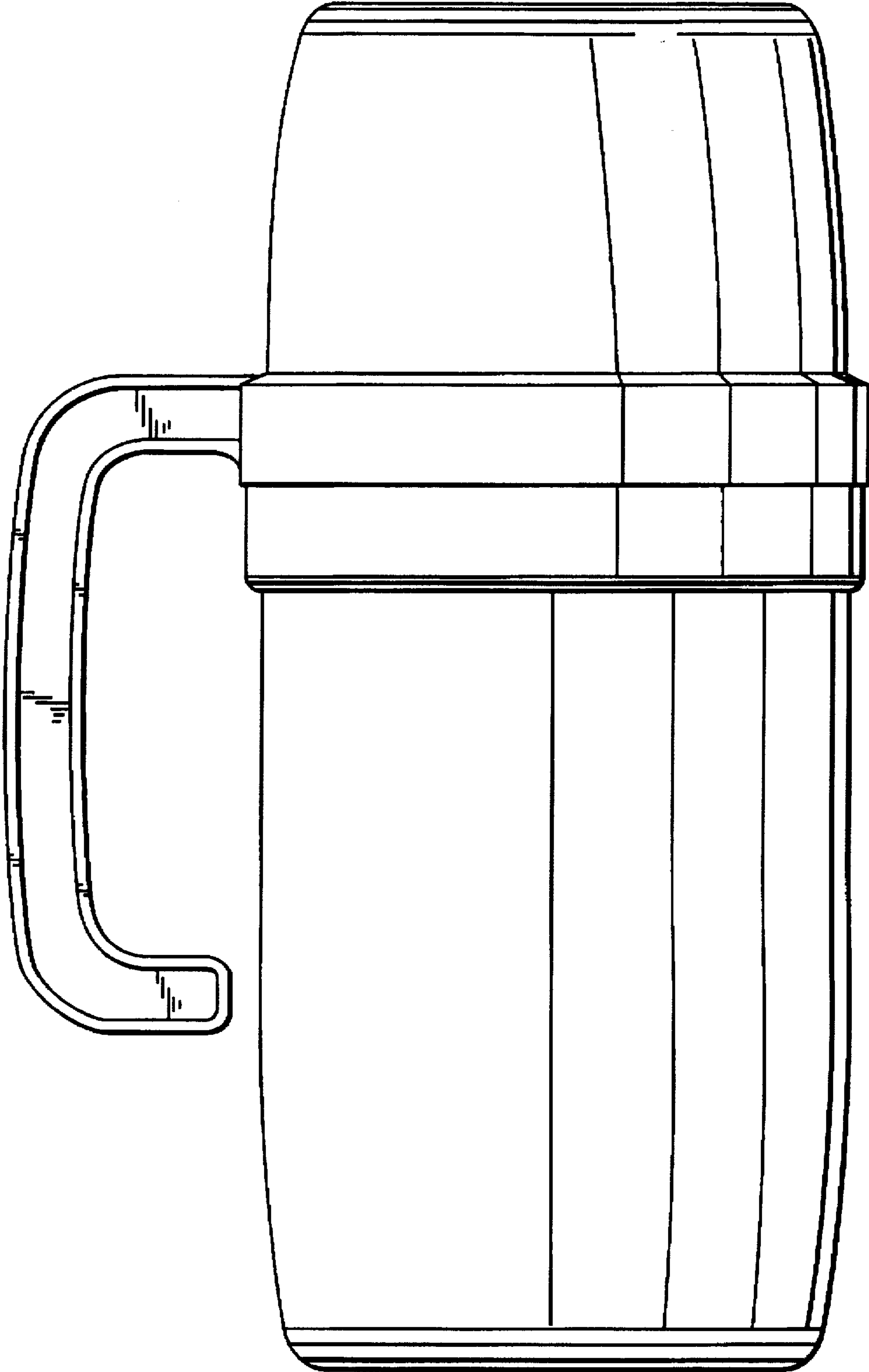


FIG. 21