



US00D386949S

United States Patent [19]
McArdle

[11] **Patent Number:** **Des. 386,949**
[45] **Date of Patent:** ****Dec. 2, 1997**

- [54] **COMBINED SPICE AND CRUET CONTAINER**
- [75] **Inventor:** **Christopher J. McArdle**, Alta Loma, Calif.
- [73] **Assignee:** **Prodyne Enterprises, Inc.**, Ontario, Calif.
- [**] **Term:** **14 Years**
- [21] **Appl. No.:** **52,678**
- [22] **Filed:** **Mar. 27, 1996**
- [51] **LOC (6) Cl.** **07-06**
- [52] **U.S. Cl.** **D7/590; D9/503**
- [58] **Field of Search** **D7/590-596; D9/341, D9/347, 503, 520; 206/508, 509; 220/4.27, 4.26; 222/480, 565, 143, 142.1-142.9; 215/10, 6**

3,217,915 11/1965 Weygandt 215/10
4,714,181 12/1987 Kozłowski et al. 222/480

FOREIGN PATENT DOCUMENTS

2729285 1/1979 Germany 215/6

OTHER PUBLICATIONS

European Jeweler, Dec. 1969, p. 1458, Container 3a.

Primary Examiner—Terry A. Wallace

[57] **CLAIM**

The ornamental design for a combined spice and cruet container, as shown and described.

DESCRIPTION

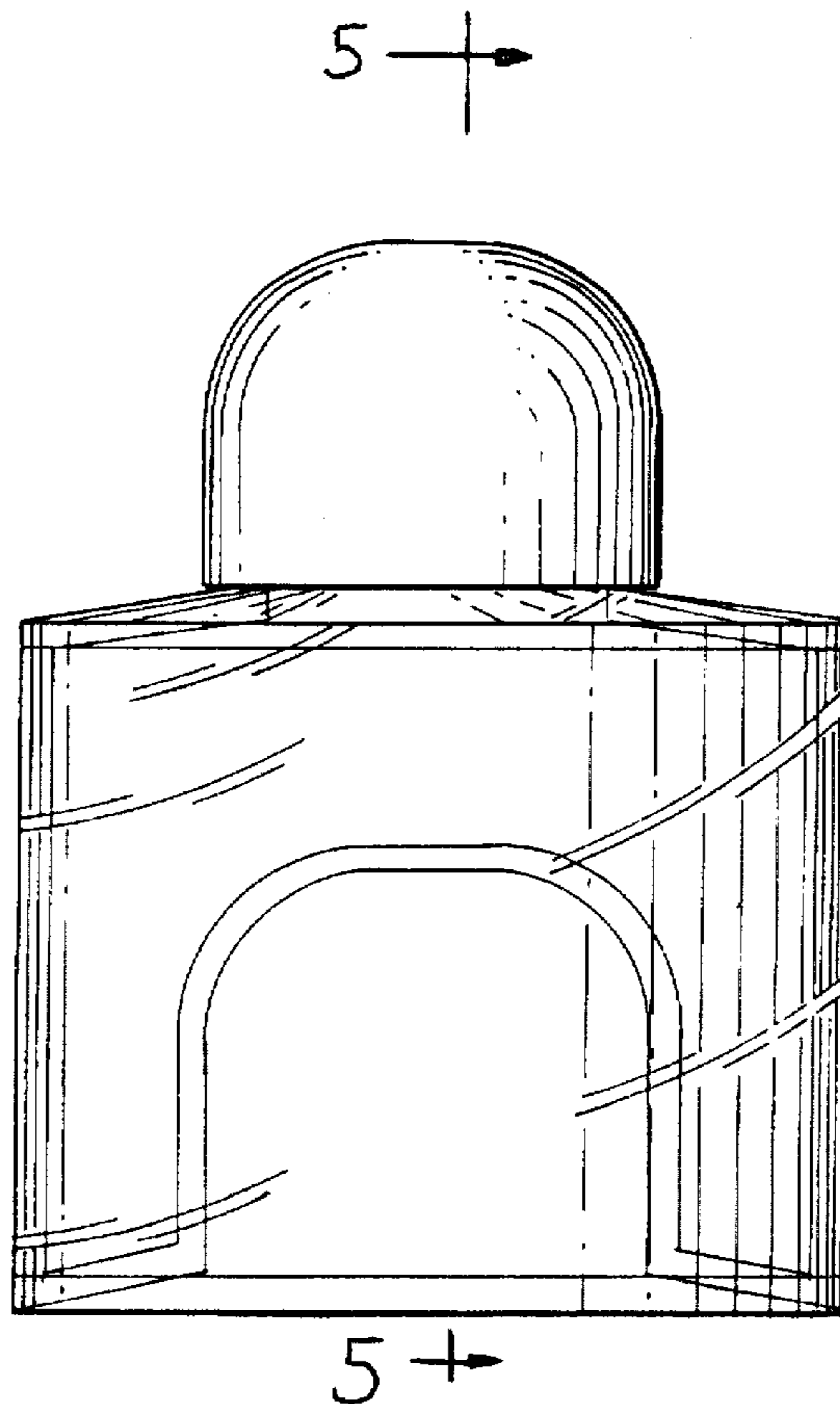
FIG. 1 is a top, front, side perspective view of a combined spice and cruet container showing my new design;
FIG. 2 is a side elevational view thereof;
FIG. 3 is a top plan view thereof;
FIG. 4 is a bottom view thereof;
FIG. 5 is a sectional view taken along the line 5—5 of FIG. 2; and,
FIG. 6 is a perspective view thereof, the additional containers shown in broken lines for illustrative purposes only and forming no part of the claimed design.

[56] **References Cited**

U.S. PATENT DOCUMENTS

- D. 148,862 3/1948 Kasin D7/591
- D. 318,778 8/1991 Fiore et al. D7/591
- 769,615 9/1904 Kosanvich 215/10
- 2,631,747 3/1953 Stolte 215/10
- 2,663,450 12/1953 Bourcart 220/4.27 X

1 Claim, 3 Drawing Sheets



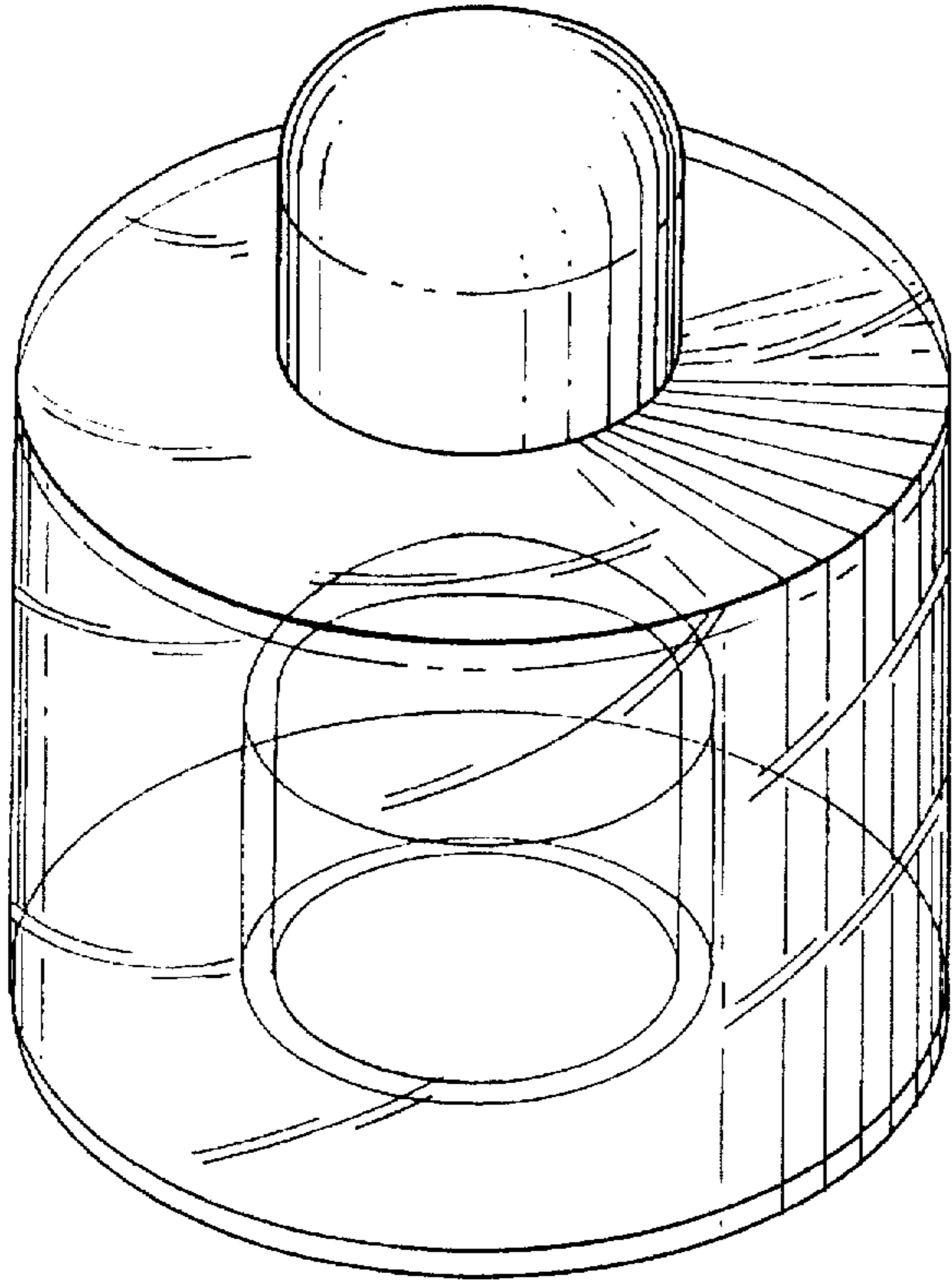


FIG. 1

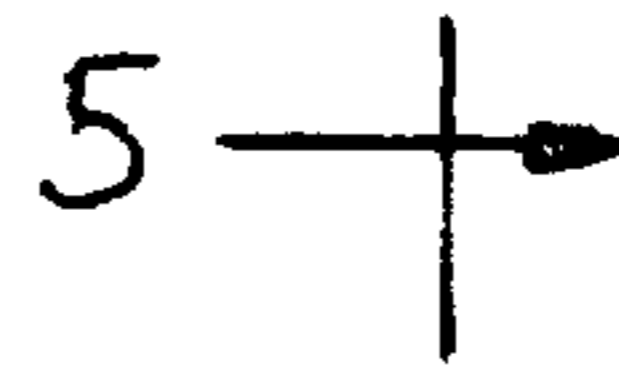
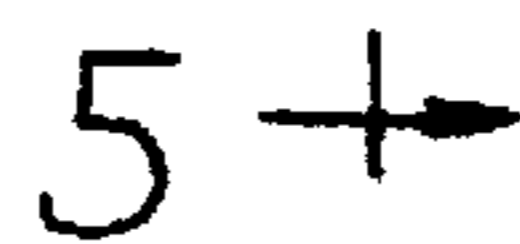
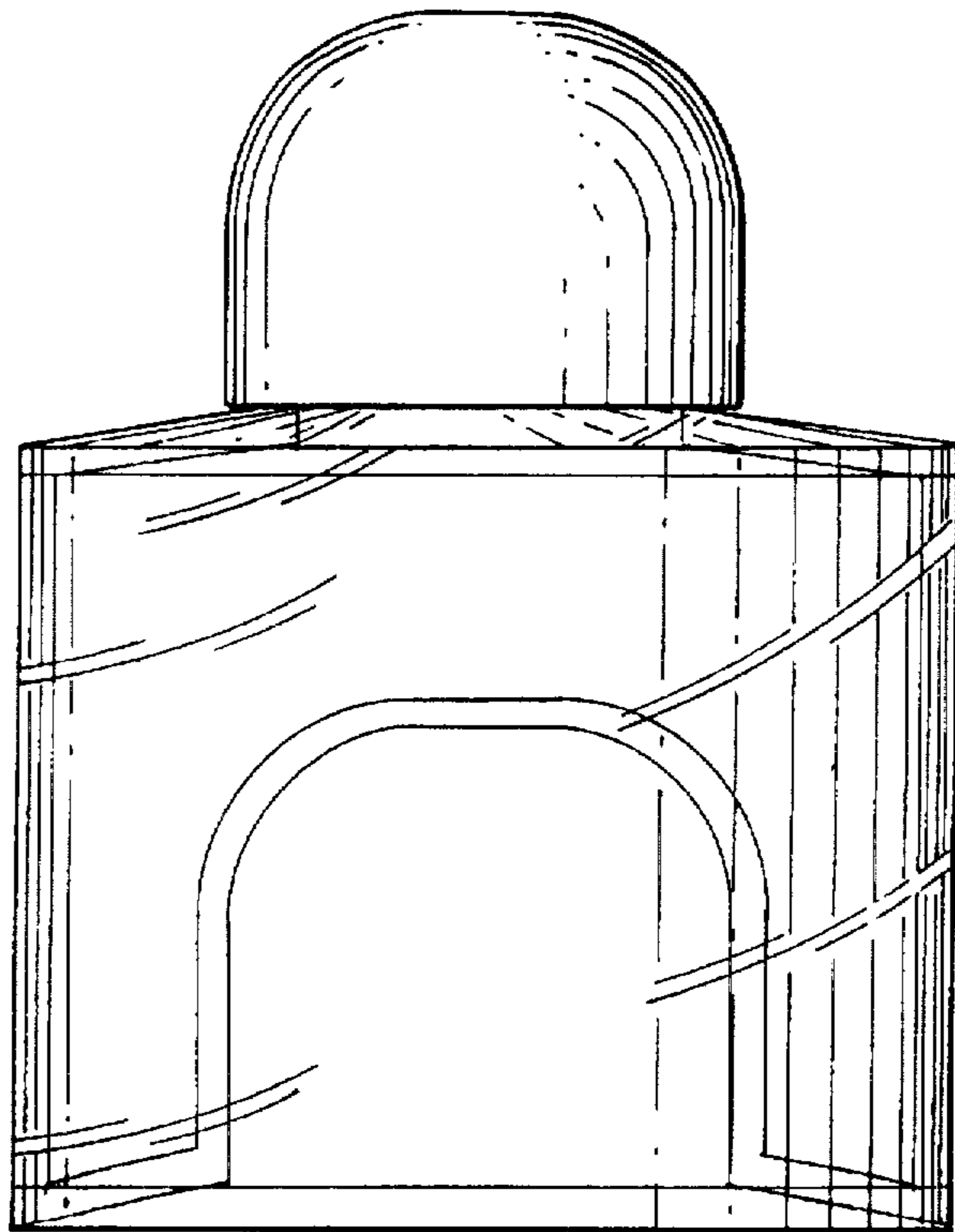


FIG. 2



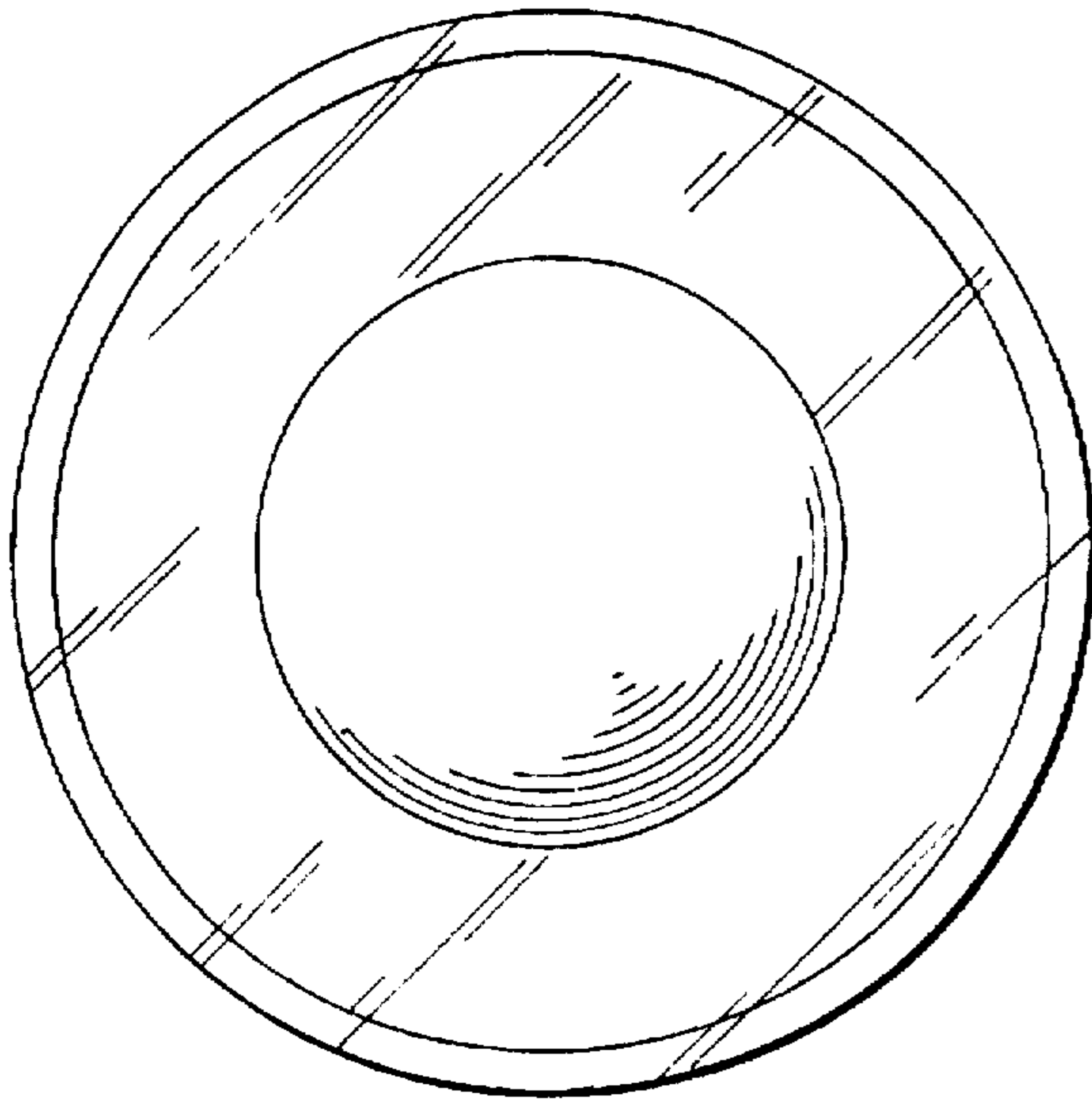


FIG. 3

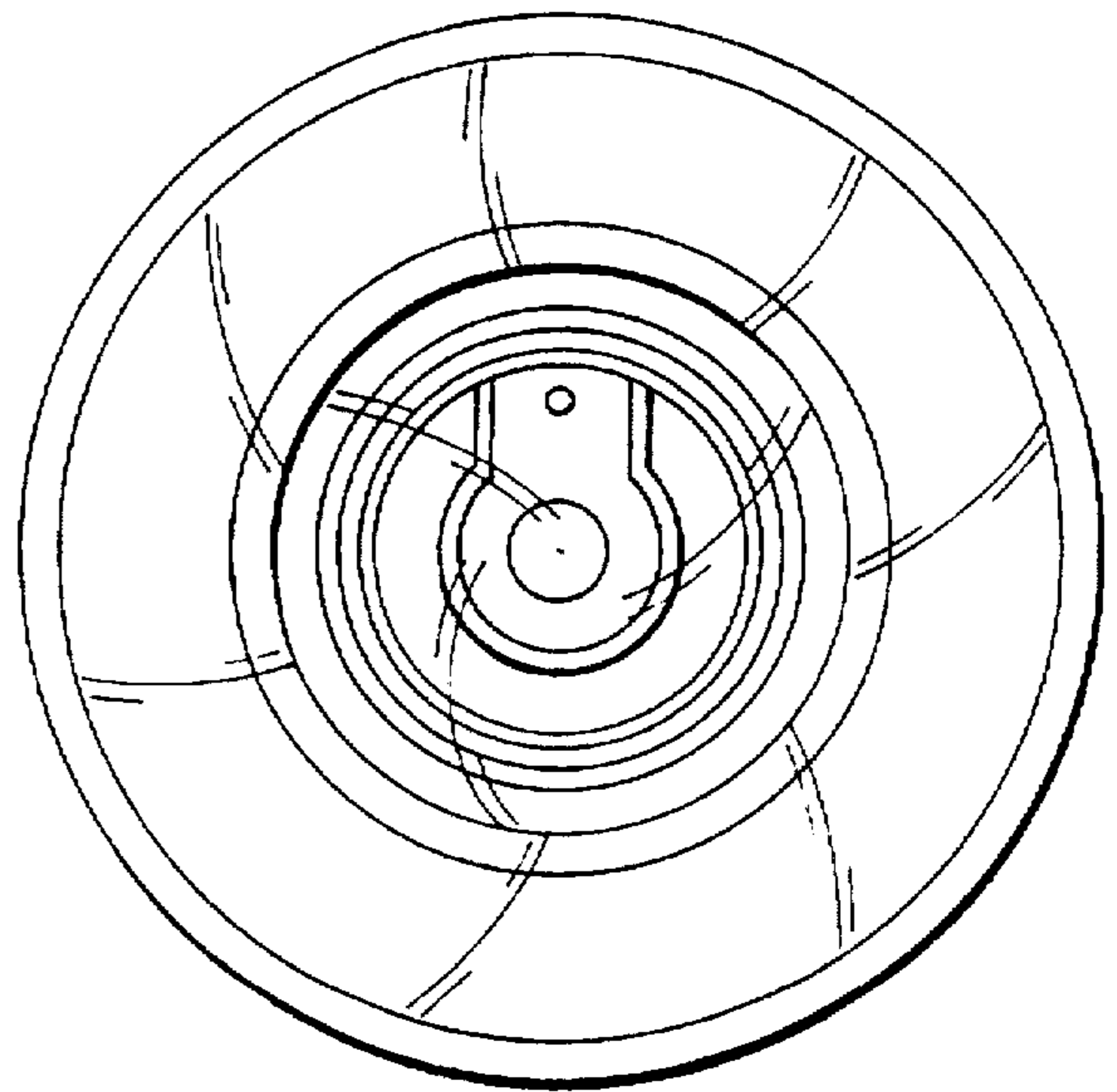


FIG. 4

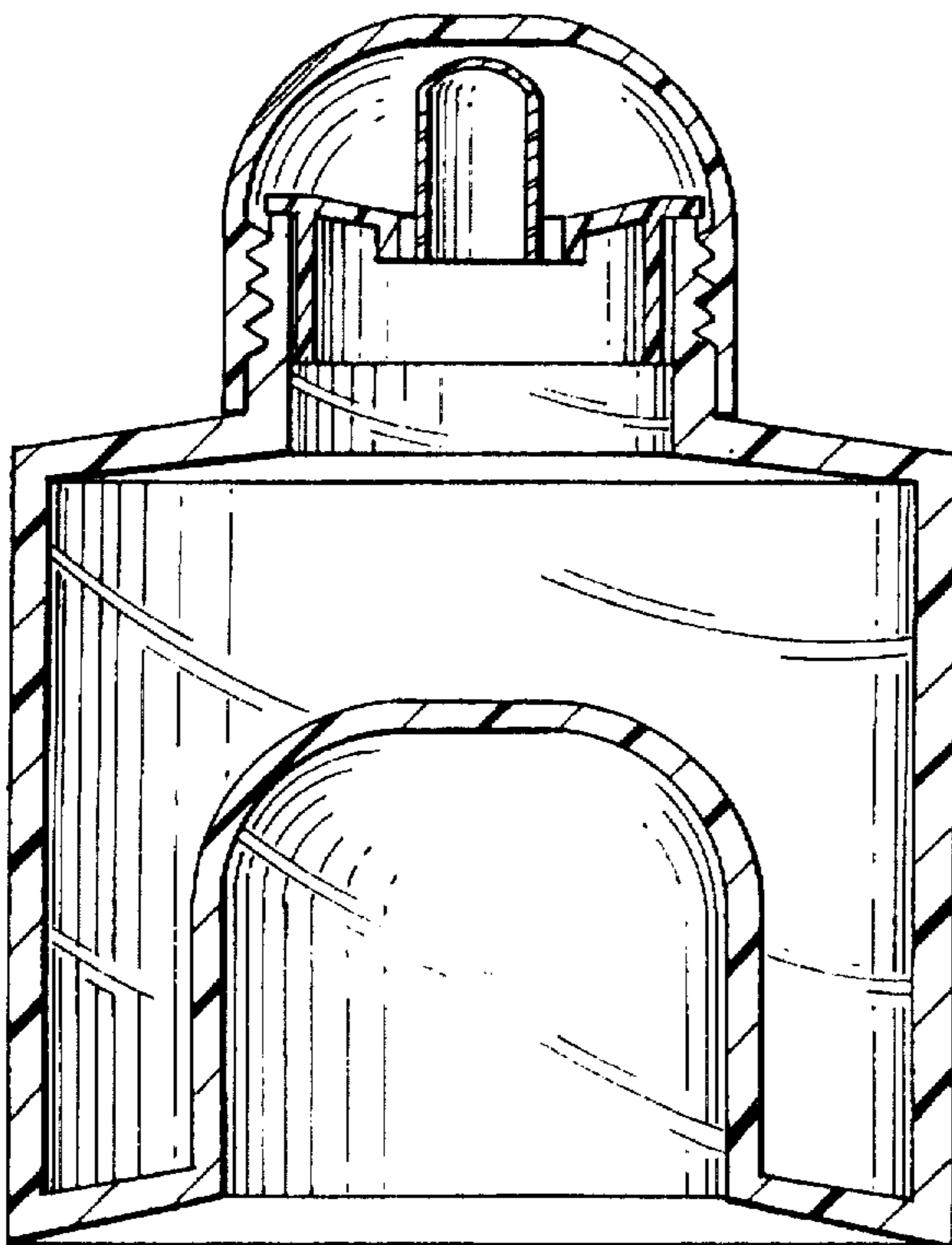


FIG. 5

FIG. 6

