



US00D386944S

United States Patent [19]

[11] Patent Number: **Des. 386,944**

Demore et al.

[45] Date of Patent: ****Dec. 2, 1997**

[54] PITCHER RESERVOIR

FOREIGN PATENT DOCUMENTS

[75] Inventors: **Anthony Demore, Copley; Patrick Douglas, Medina, both of Ohio**

9301281 2/1993 Germany .

[73] Assignee: **Rubbermaid Incorporated, Wooster, Ohio**

OTHER PUBLICATIONS

[**] Term: **14 Years**

Sell sheet, Pitcher reservoir; Brita Wasser-Filter Systems GmbH, Germany. Published at least as early as Apr., 1996.
Sell sheet, Pitcher reservoir; Teledyne Water Pik, 1730 East Prospect Road Fort Collins, Colorado 80553. Published at least as early as Apr., 1996.

[21] Appl. No.: **62,263**

Sell sheet, Pitcher reservoir; Hague Quality Water International, 4343 South Hamilton Road, Groveport, Ohio 43125. Published at least as early as Apr., 1996.

[22] Filed: **Nov. 12, 1996**

Sell sheet, Pitcher reservoir; Health-O-Meter, Inc., 24700 Miles Road, Bedford Heights, Ohio 44146. Published at least as early as Jun., 1996.

[51] LOC (6) Cl. **07-99**

[52] U.S. Cl. **D7/397; D7/316; D7/387; D7/400; D23/209**

[58] Field of Search **D7/608, 624, 300, D7/213, 300.2, 312, 316, 317, 318, 319, 321, 322, 397, 598, 600, 387, 400, 587, 586; D23/209, 212; 222/465.1; D34/2**

Primary Examiner—M. N. Pandozzi
Attorney, Agent, or Firm—Richard B. O'Planick; Lisa B. Riedesel

[56] References Cited

[57] CLAIM

U.S. PATENT DOCUMENTS

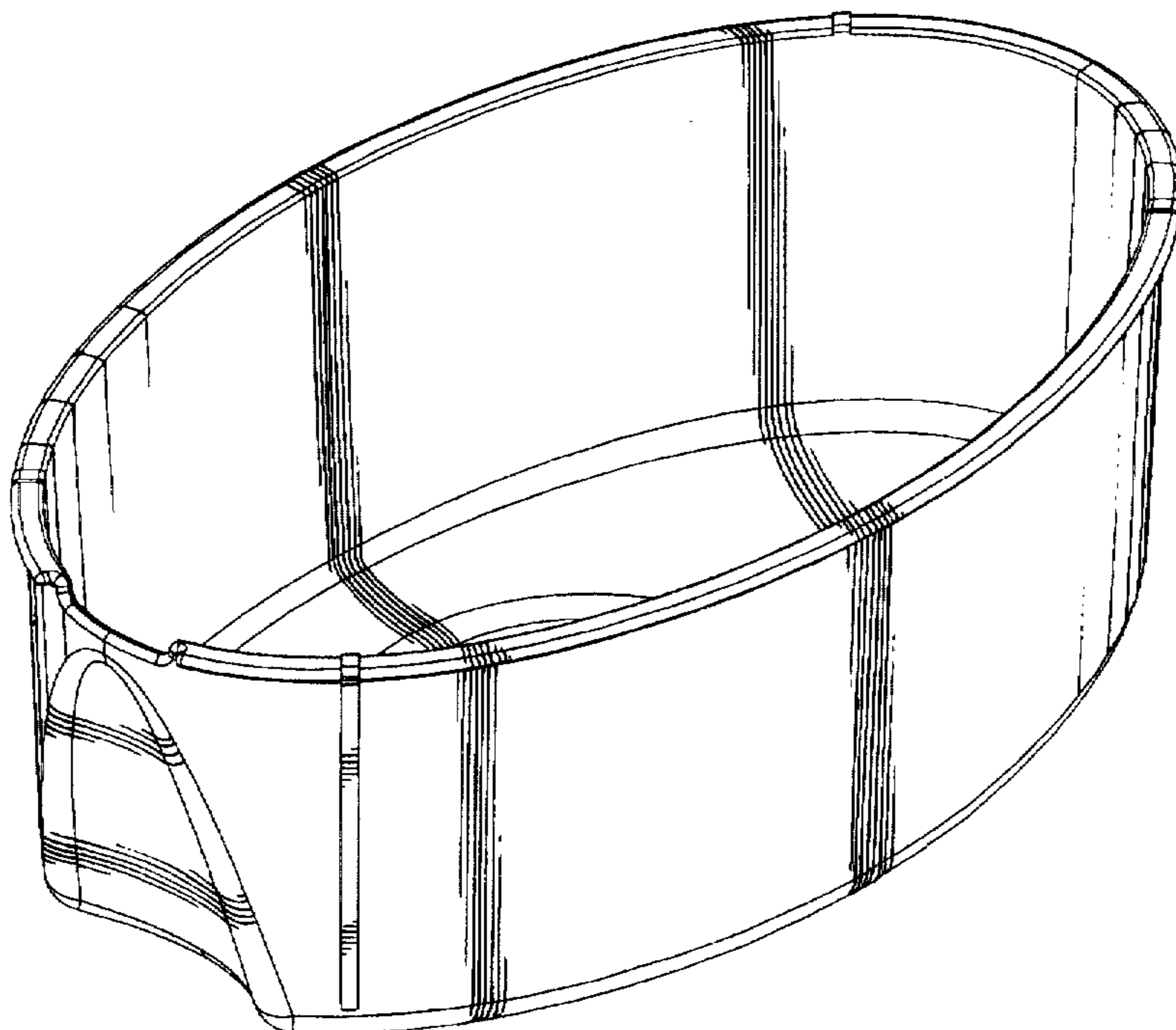
The ornamental design for a pitcher reservoir, as shown and described.

- D. 45,319 3/1914 Atterholt D7/586
- D. 266,894 11/1982 Bersten D7/400
- D. 270,513 6/1983 Wallsten D7/400
- D. 297,452 8/1988 Larsen D23/209
- D. 323,874 2/1992 Hirman et al. D23/209
- D. 336,760 6/1993 Raunkjaer D23/209
- D. 337,691 7/1993 Raunkjaer D7/317
- D. 369,850 5/1996 Cammack et al. D23/209
- D. 370,051 5/1996 Samson et al. D23/209
- D. 373,932 9/1996 Onneweer D7/316 X
- 1,951,656 3/1934 Haffling D7/624 X
- 4,419,232 12/1983 Arntyr et al. D7/400 X
- 4,623,457 11/1986 Hankammer 210/237

DESCRIPTION

FIG. 1 is a top right front perspective view of a pitcher reservoir showing our new design;
FIG. 2 is a top plan view thereof;
FIG. 3 is a rear elevational view thereof;
FIG. 4 is a right side elevational view thereof; the left side elevational view being a mirror image;
FIG. 5 is a front elevational view thereof; and,
FIG. 6 is a bottom plan view thereof.

1 Claim, 6 Drawing Sheets



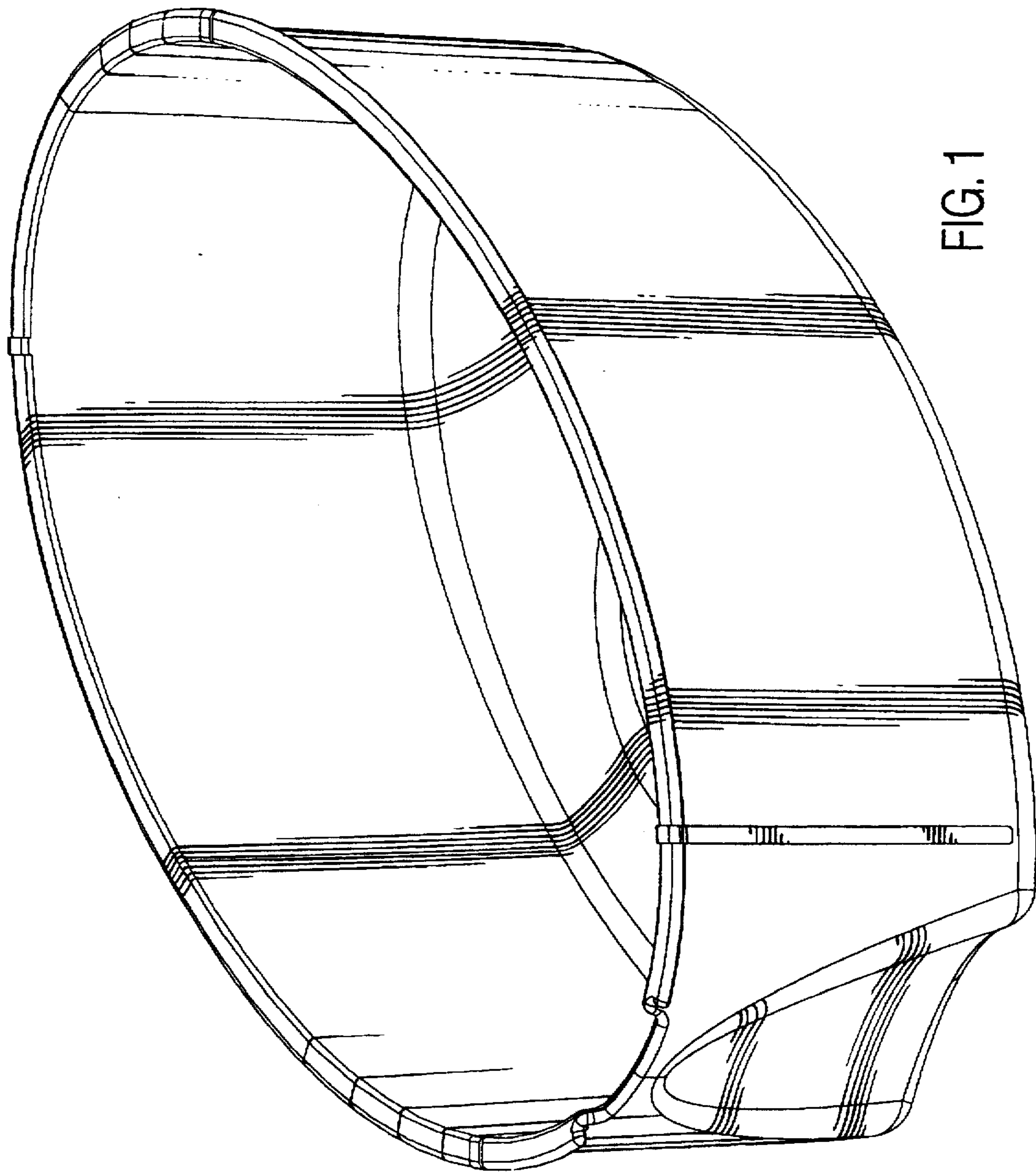


FIG. 1

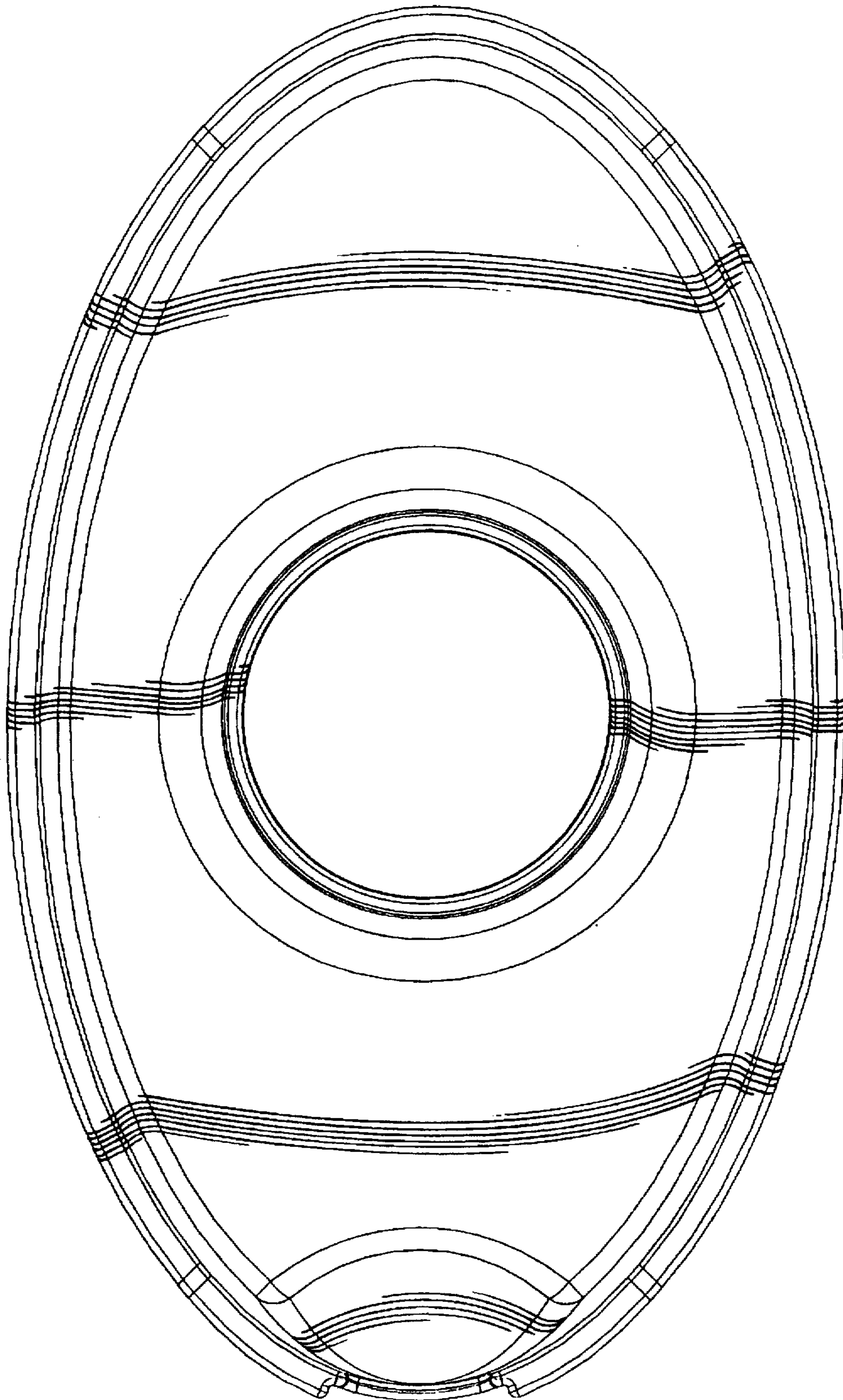


FIG. 2

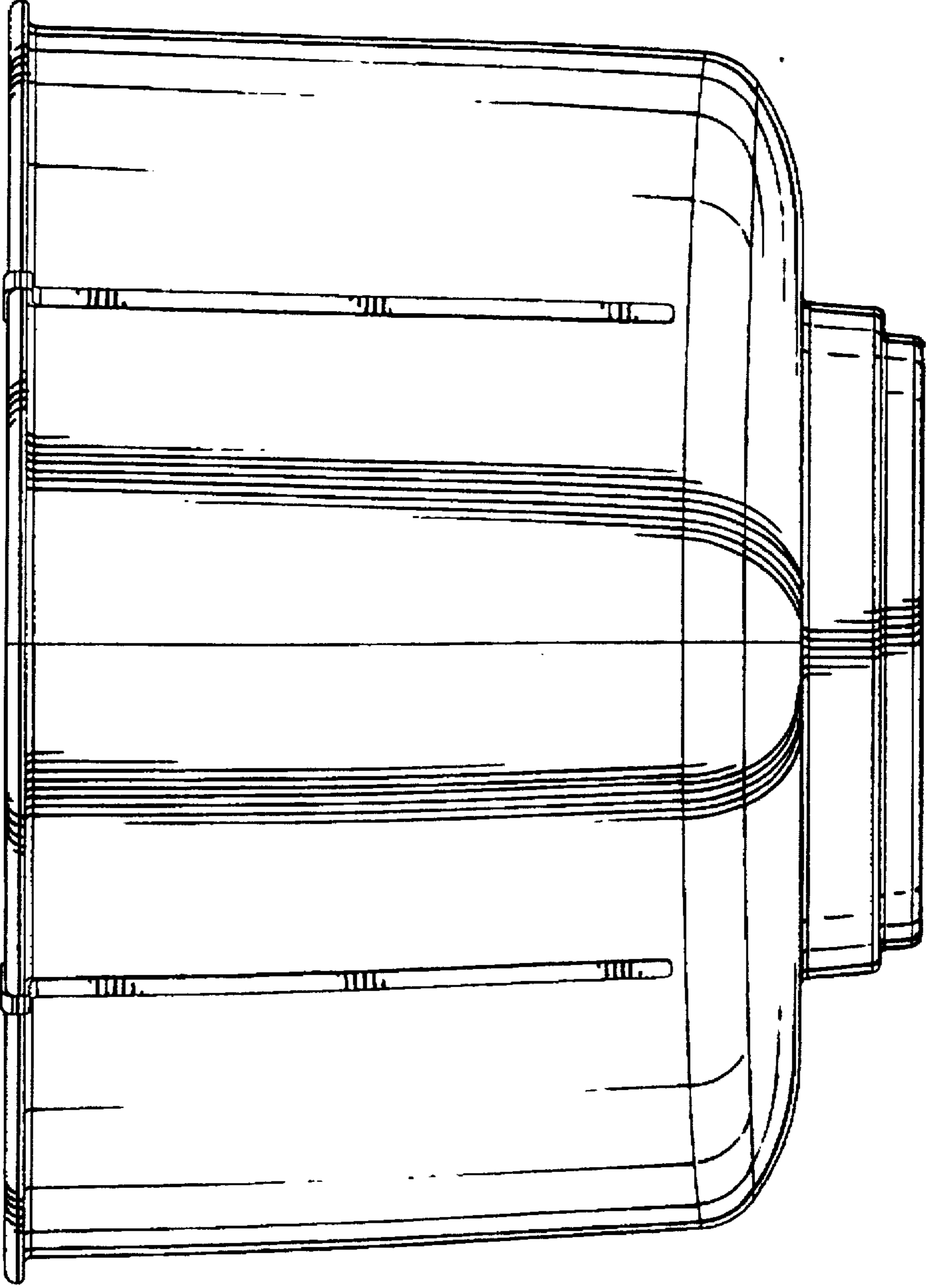


FIG. 3

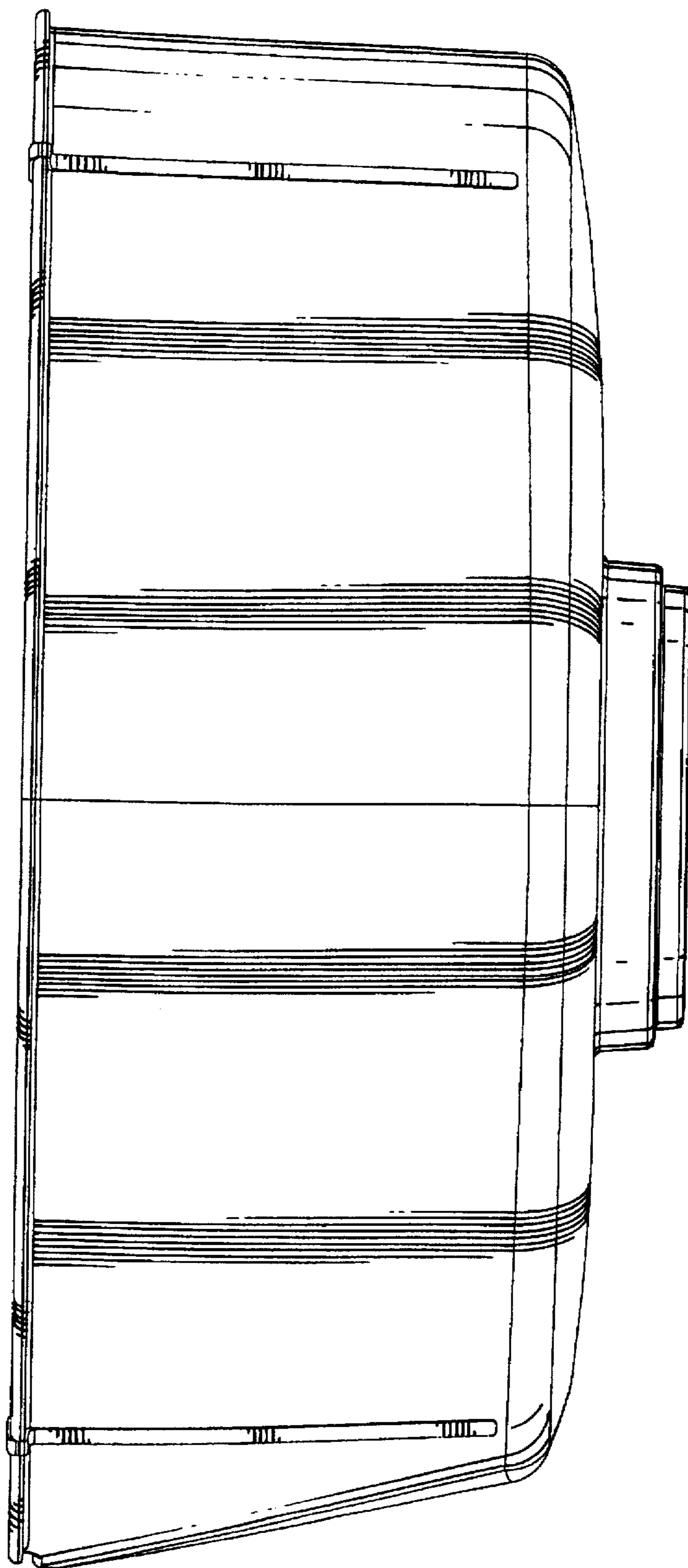


FIG. 4

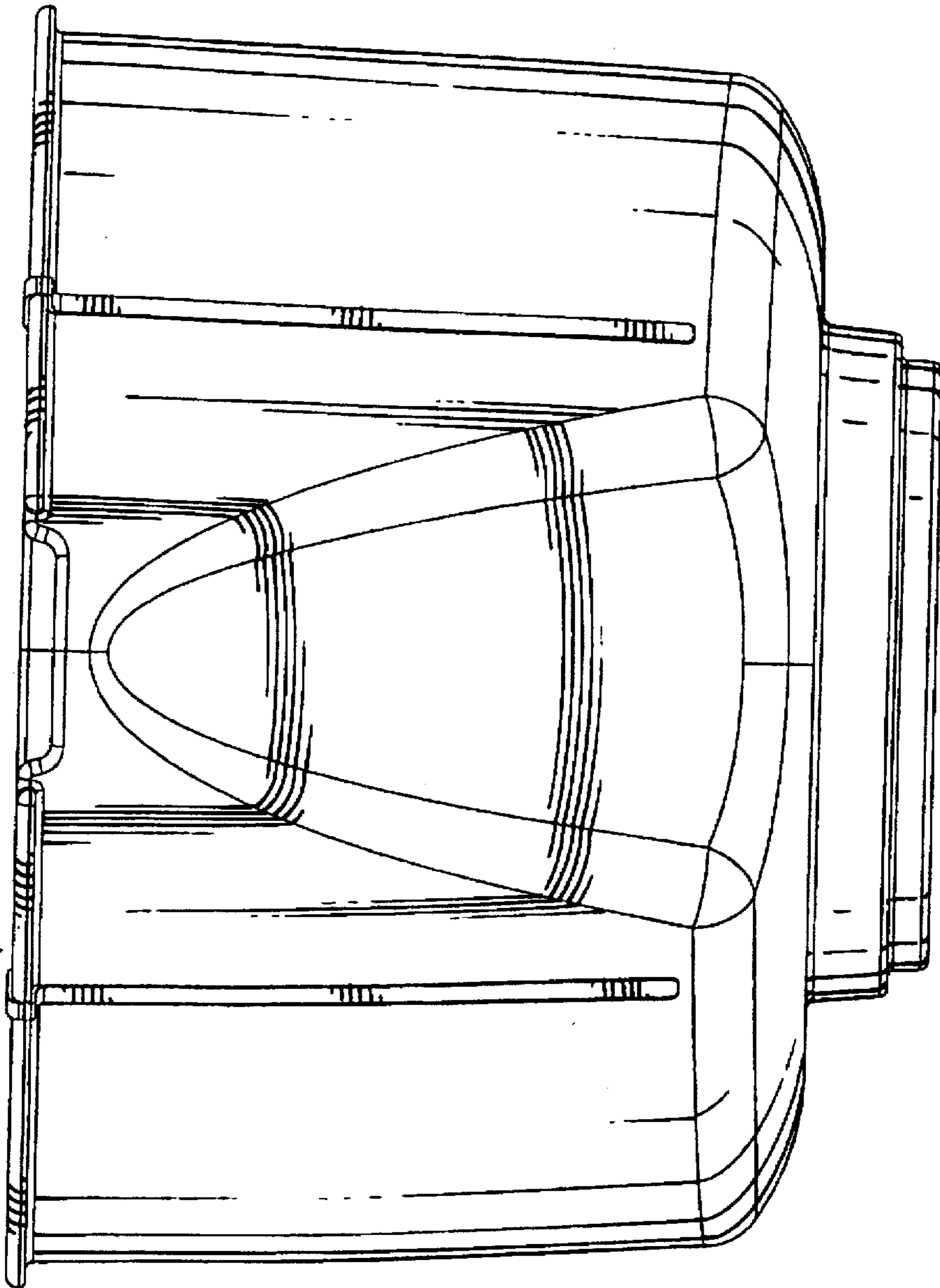


FIG. 5

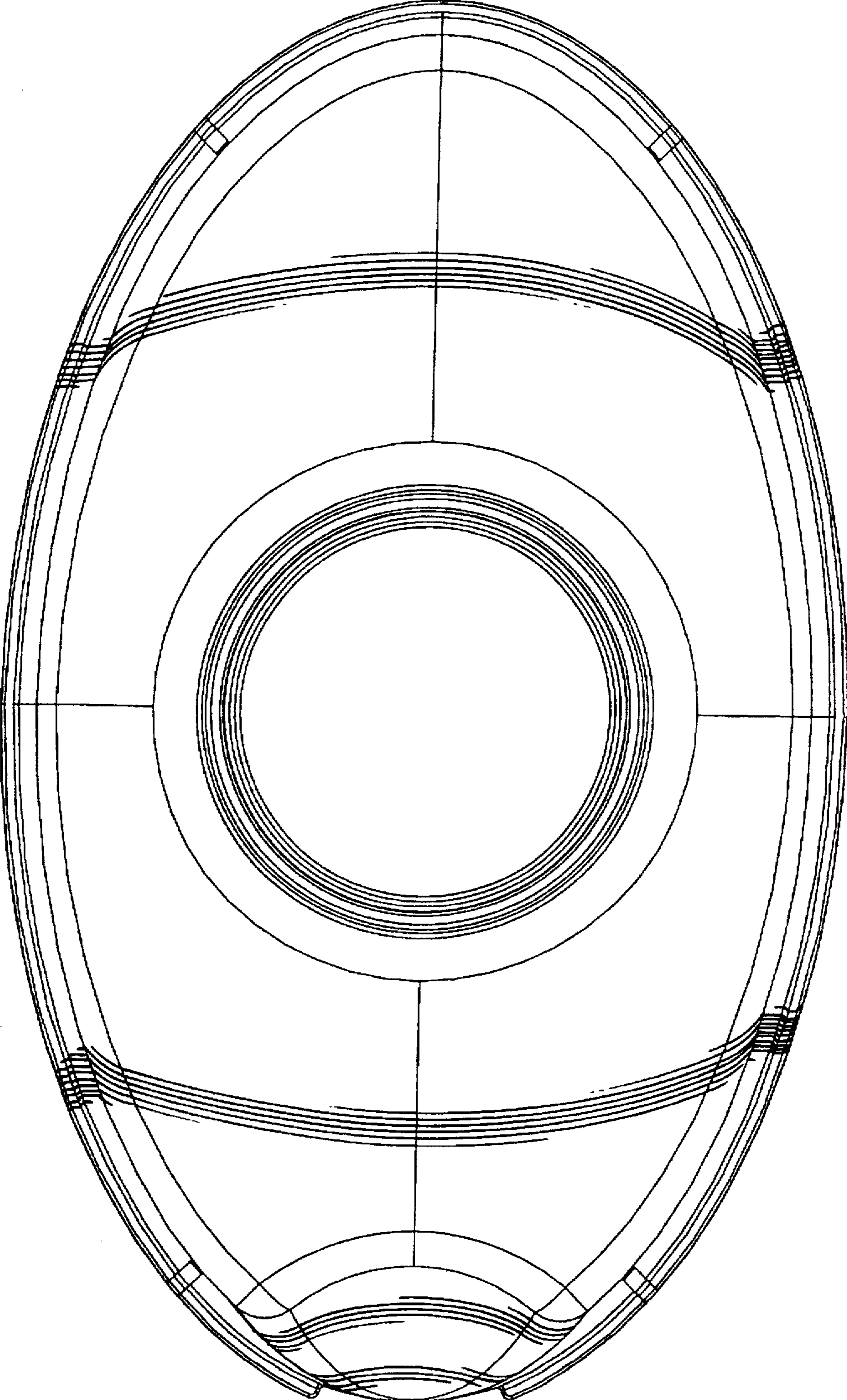


FIG. 6