



US00D386941S

United States Patent [19]

Barker

[11] Patent Number: **Des. 386,941**

[45] Date of Patent: ****Dec. 2, 1997**

[54] **BLENDER**

[75] Inventor: **Mario John Barker**, 149 Pymont Street, Pymont, New South Wales, Australia

[73] Assignee: **Mario John Barker**, Pymont, Australia

[**] Term: **14 Years**

[21] Appl. No.: **55,276**

[22] Filed: **Jun. 3, 1996**

[51] LOC (6) Cl. **31-00**

[52] U.S. Cl. **D7/378**

[58] Field of Search D7/376-378, 386, D7/413; 241/12, 37.5, 100, 199; 366/129, 130, 197, 199, 204, 205, 314

[56] **References Cited**

U.S. PATENT DOCUMENTS

D. 120,225 4/1940 Lawrence D7/386

D. 123,509 11/1940 Poplawski D7/378
D. 183,177 7/1958 Oertli D7/378

Primary Examiner—Caron D. Veynar
Attorney, Agent, or Firm—Michael J. Striker

[57] **CLAIM**

The ornamental design for a blender, as shown and described.

DESCRIPTION

FIG. 1 is a front elevation of a blender according to the invention;

FIG. 2 is a side elevation thereof from the left;

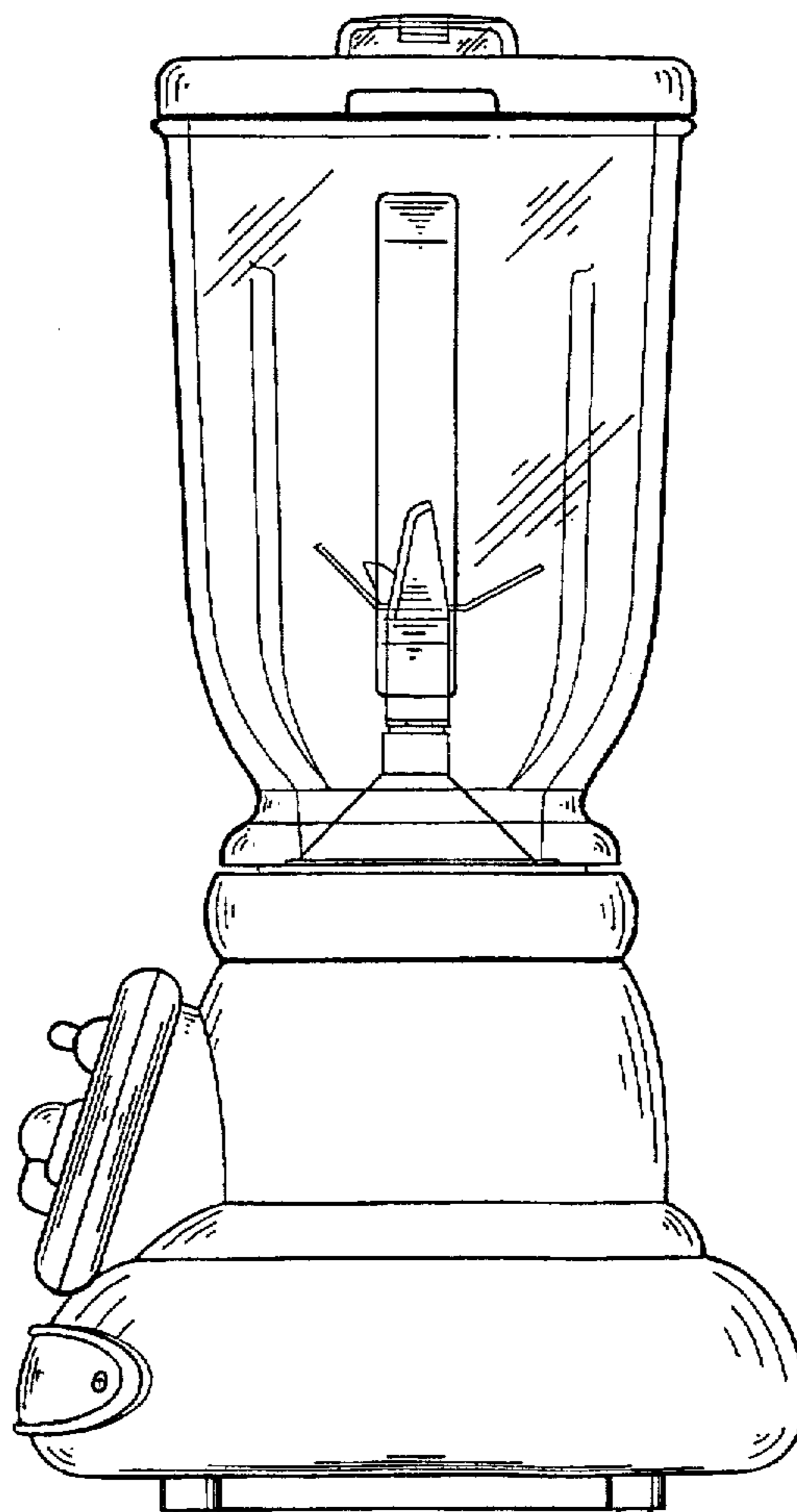
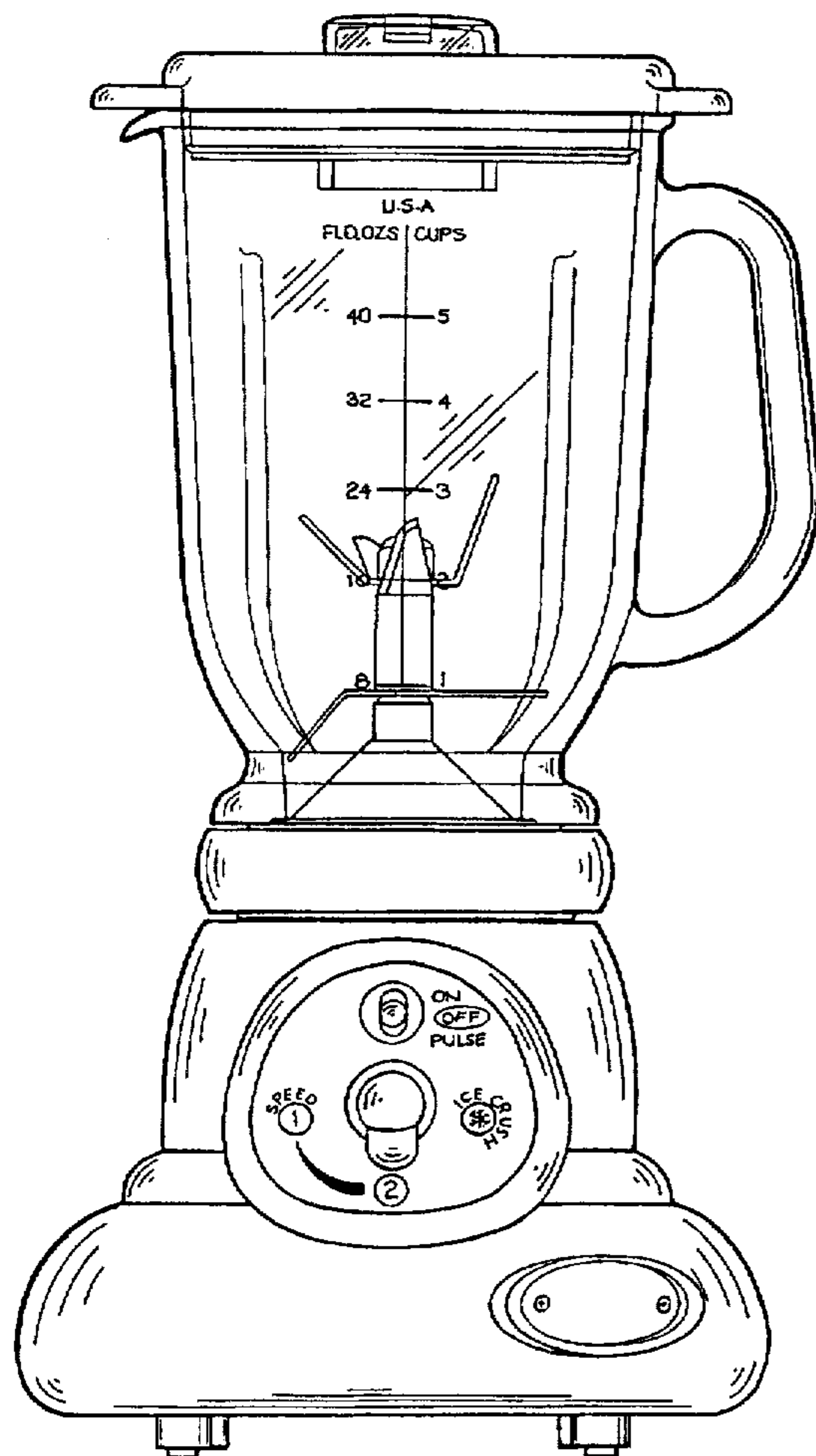
FIG. 3 is a side elevation thereof from the right;

FIG. 4 is a rear elevation thereof;

FIG. 5 is a plan thereof from above; and,

FIG. 6 is a plan view thereof from below.

1 Claim, 6 Drawing Sheets



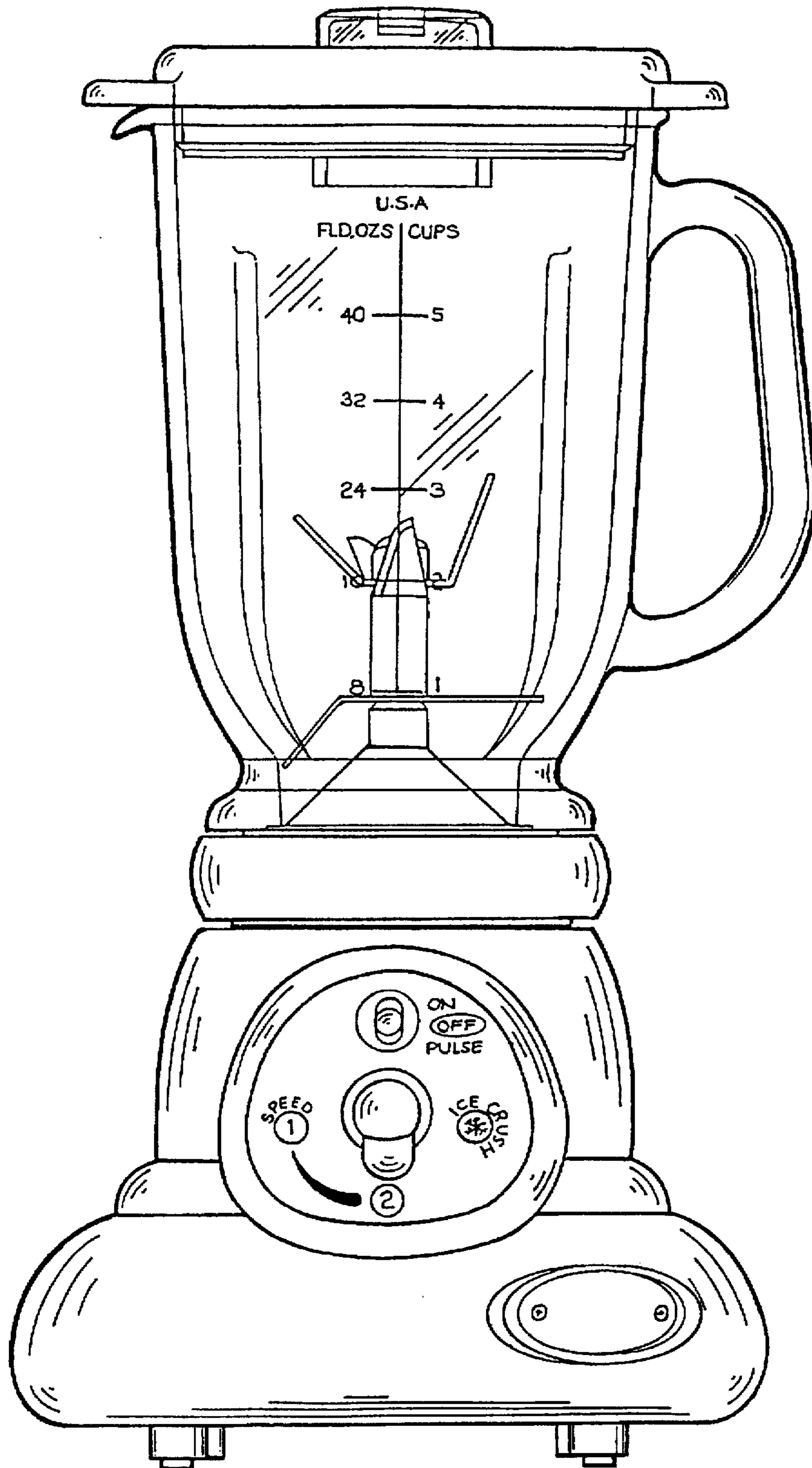


FIG. 1

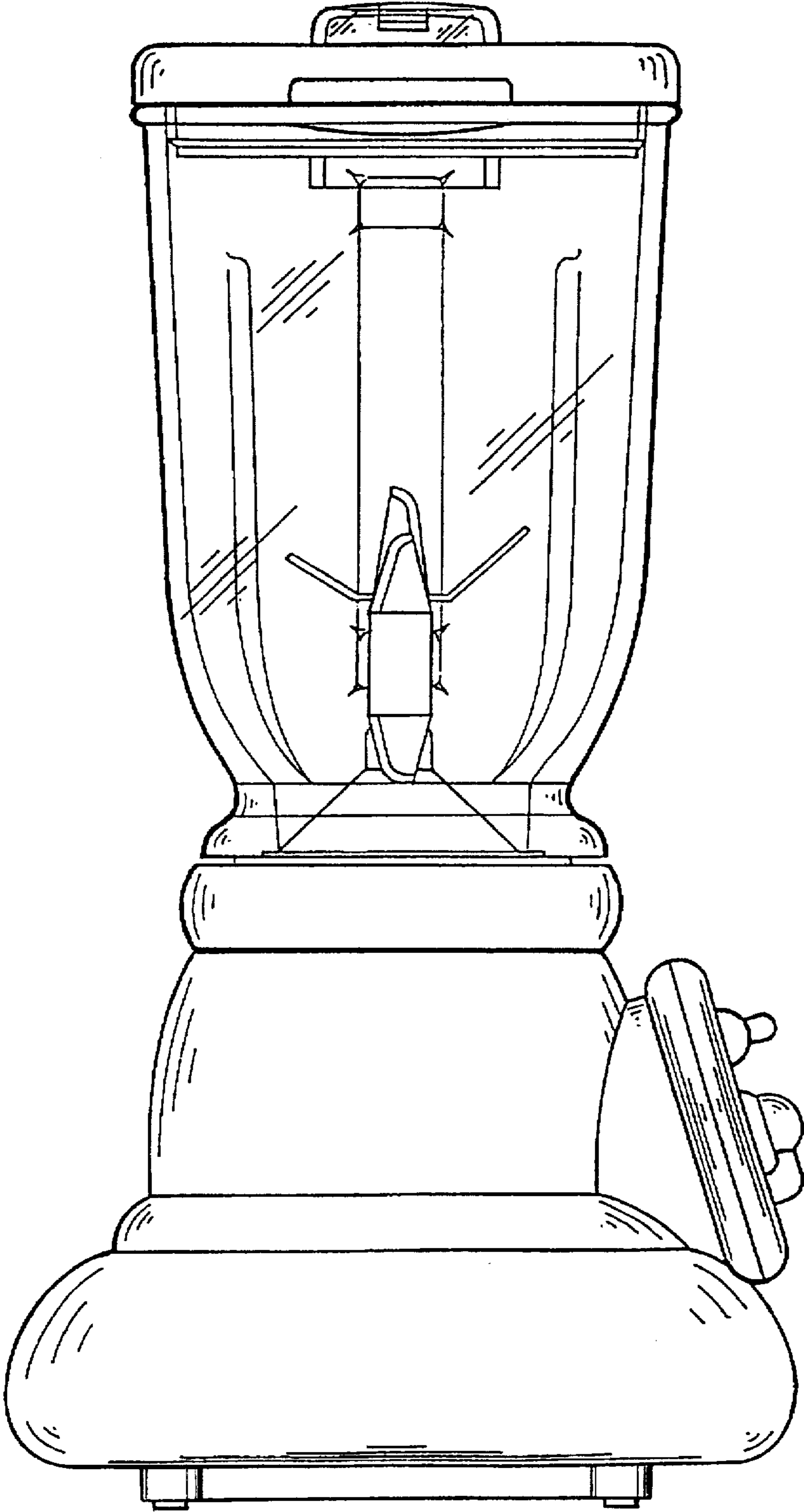


FIG. 2

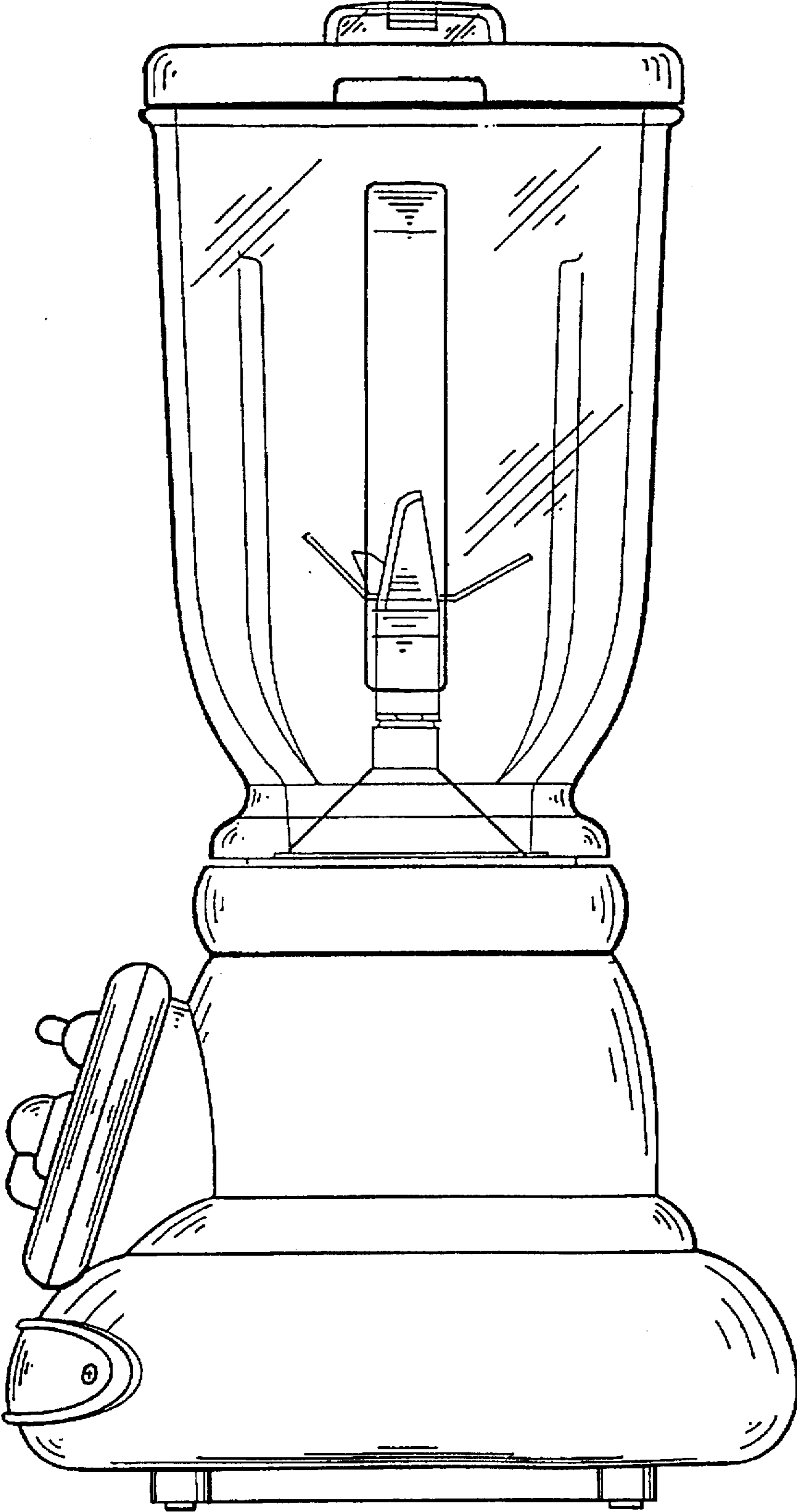


FIG. 3

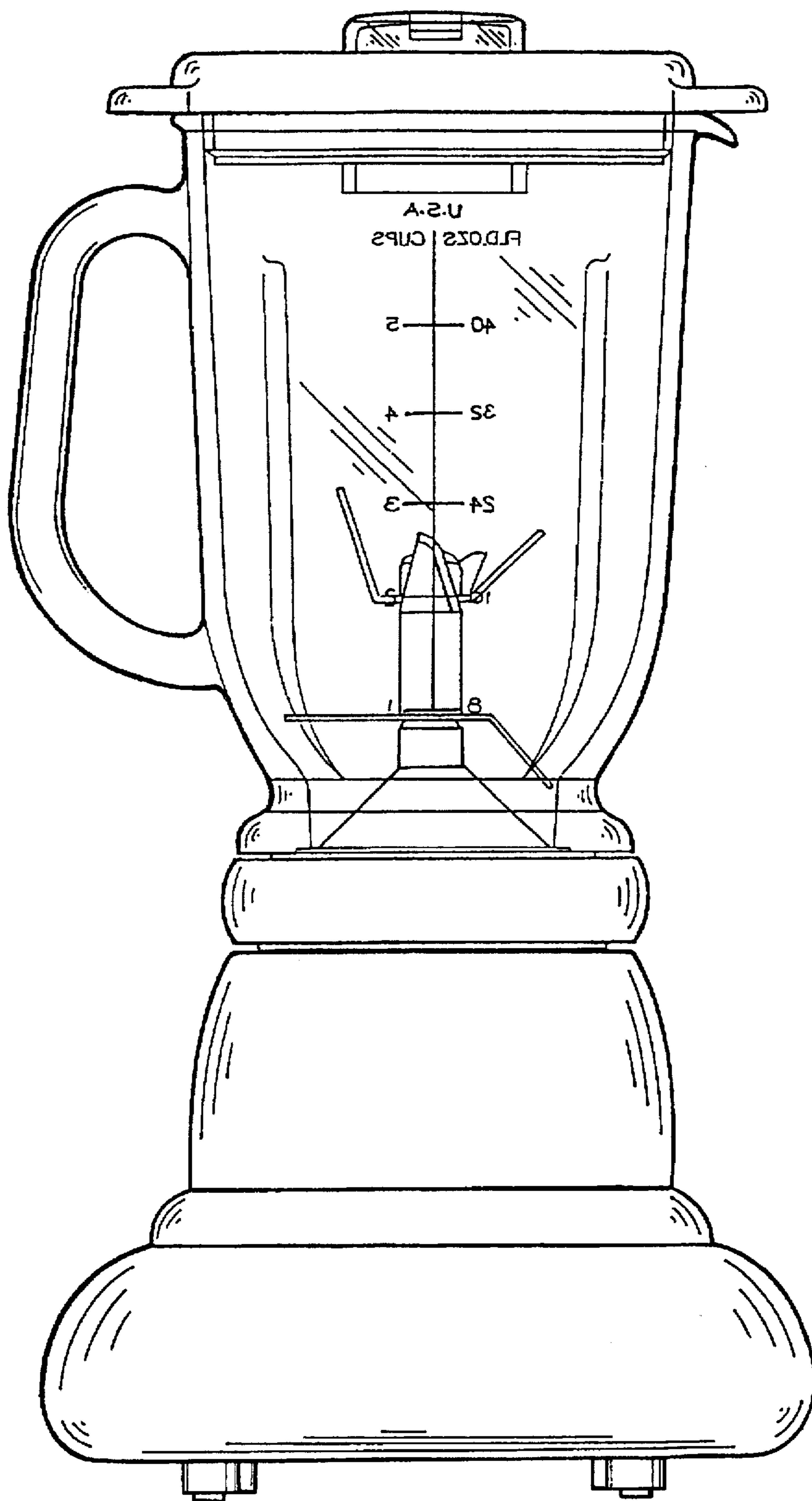


FIG. 4

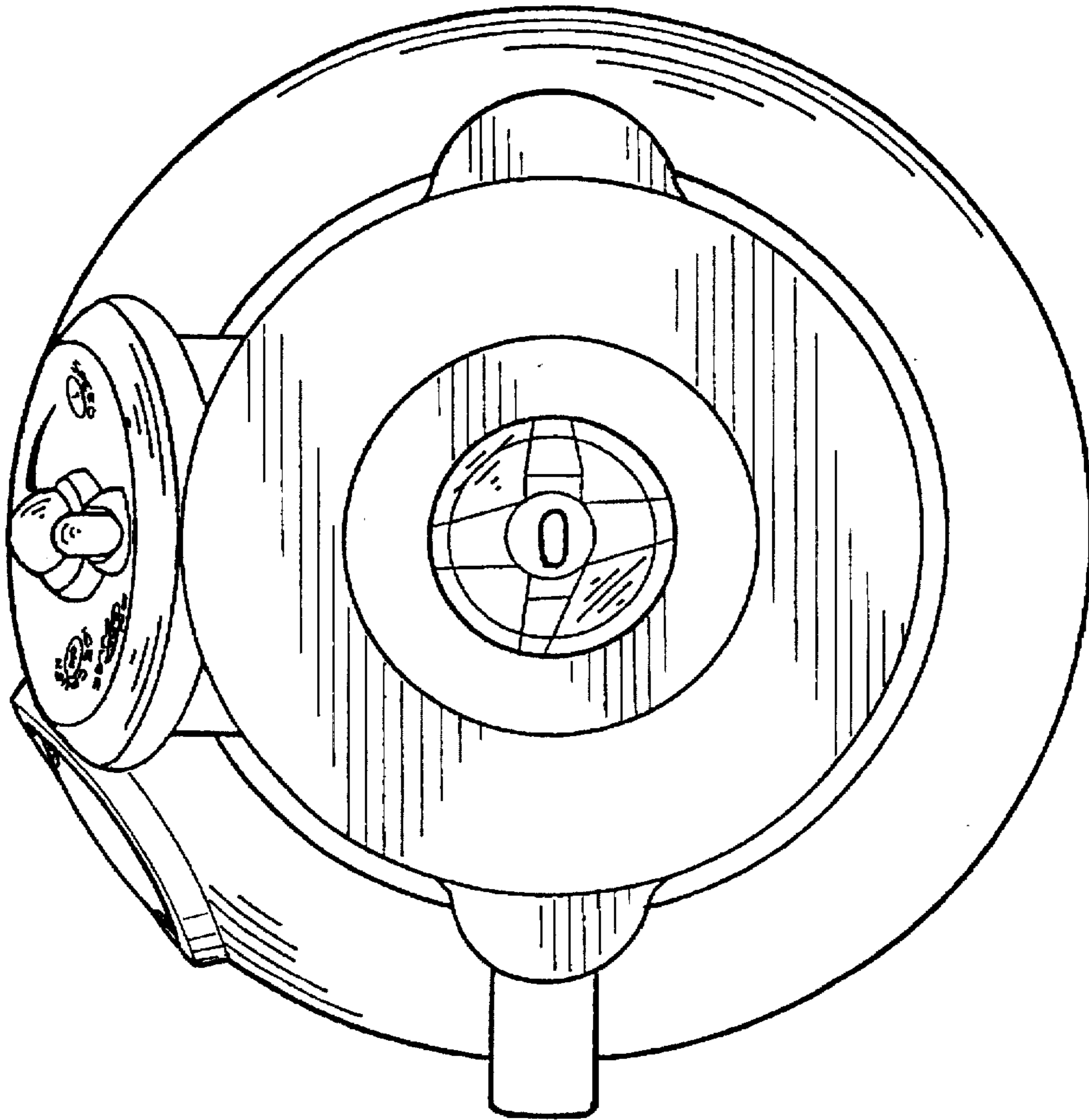


FIG. 5

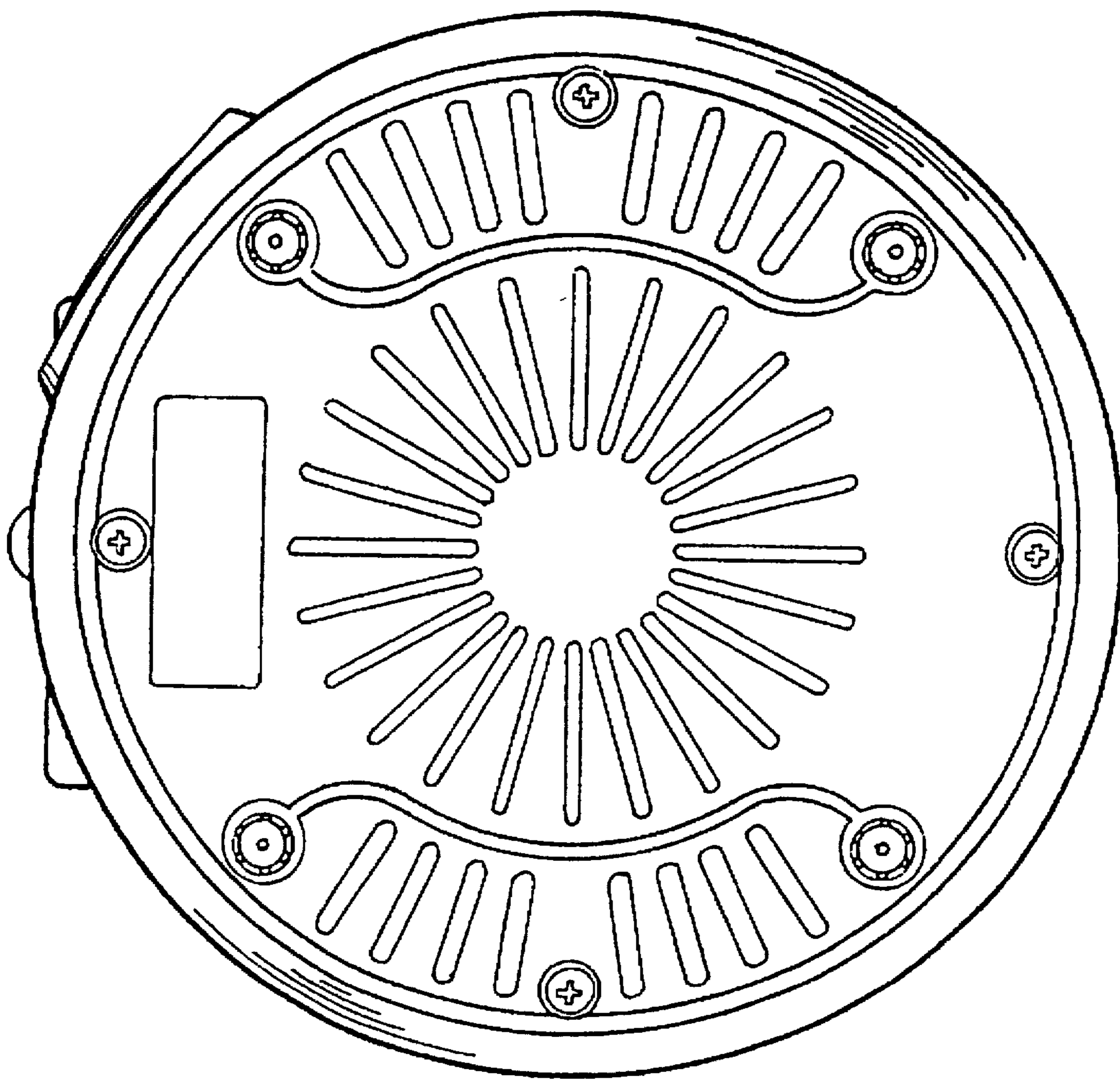


FIG. 6