



US00D386939S

# United States Patent [19]

[11] Patent Number: **Des. 386,939**

Kelly et al.

[45] Date of Patent: **\*\*Dec. 2, 1997**

[54] **MICROWAVE BACON COOKER DEVICE**

[75] Inventors: **Roger L. Kelly, Eau Claire; Brent W. Dressel, Elk Mound, both of Wis.**

[73] Assignee: **National Presto Industries, Inc., Eau Claire, Wis.**

[\*\*] Term: **14 Years**

[21] Appl. No.: **60,268**

[22] Filed: **Sep. 25, 1996**

[51] LOC (6) Cl. .... **07-02**

[52] U.S. Cl. .... **D7/359; D7/360**

[58] Field of Search ..... **D7/354, 356, 359, D7/360, 500, 409; 99/419, 422, 425, 426, 444, 446**

### [56] References Cited

#### U.S. PATENT DOCUMENTS

D. 227,132	6/1973	Kelly .....	D7/359
D. 260,221	8/1981	Lee et al. ....	D7/359
D. 266,892	11/1982	Ford .....	D7/359
D. 318,206	7/1991	Watznauer .....	D7/409
D. 366,807	2/1996	Fleck et al. ....	D7/354
D. 370,825	6/1996	Parduhn .....	D7/359
2,626,561	1/1953	Fortune .	
2,924,168	2/1960	Jamentz .....	D7/409 X
3,713,379	1/1973	Gordy .....	99/349

4,064,797	12/1977	Forlani .....	D7/359 X
4,074,102	2/1978	Asen .....	219/10.55 E
4,112,833	9/1978	Oda et al. ....	99/425
4,214,515	7/1980	Kubiatowicz .....	99/400
4,249,464	2/1981	Hansen .....	99/450
4,343,978	8/1982	Kubiatowicz .....	219/10.55 E
4,559,869	12/1985	Hogan .....	99/426
4,924,049	5/1990	Dexter, Jr. ....	219/10.55 E
4,933,528	6/1990	Barr .....	219/10.55 E
4,952,764	8/1990	Harrington .....	219/10.55 E
5,151,568	9/1992	Ripley .....	219/10.55 E
5,552,585	9/1996	Fleck et al. ....	219/732

Primary Examiner—Caron D. Veynar  
Attorney, Agent, or Firm—Merchant, Gould, Smith, Edell, Welter & Schmidt P.A.

### [57] CLAIM

The ornamental design for a microwave bacon cooker device, as shown and described.

### DESCRIPTION

FIG. 1 is a perspective view of a microwave bacon cooker device showing our new design; FIG. 2 is a side elevational view thereof, an opposite side being identical thereto; FIG. 3 is an end elevational view thereof, an opposite end being identical thereto; FIG. 4 is a top plan view thereof; and, FIG. 5 is a bottom plan view thereof.

**1 Claim, 3 Drawing Sheets**

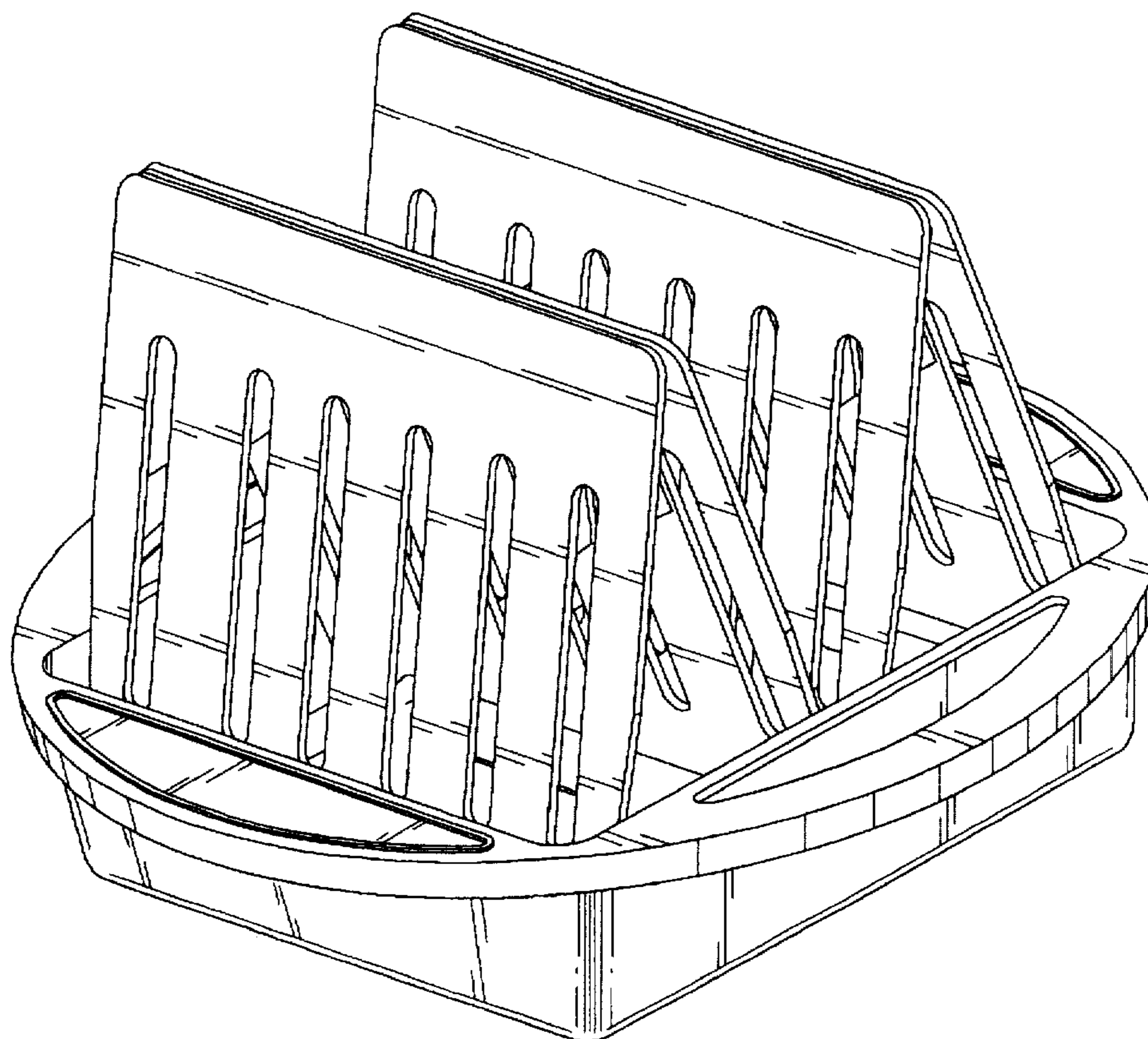


FIG. 1

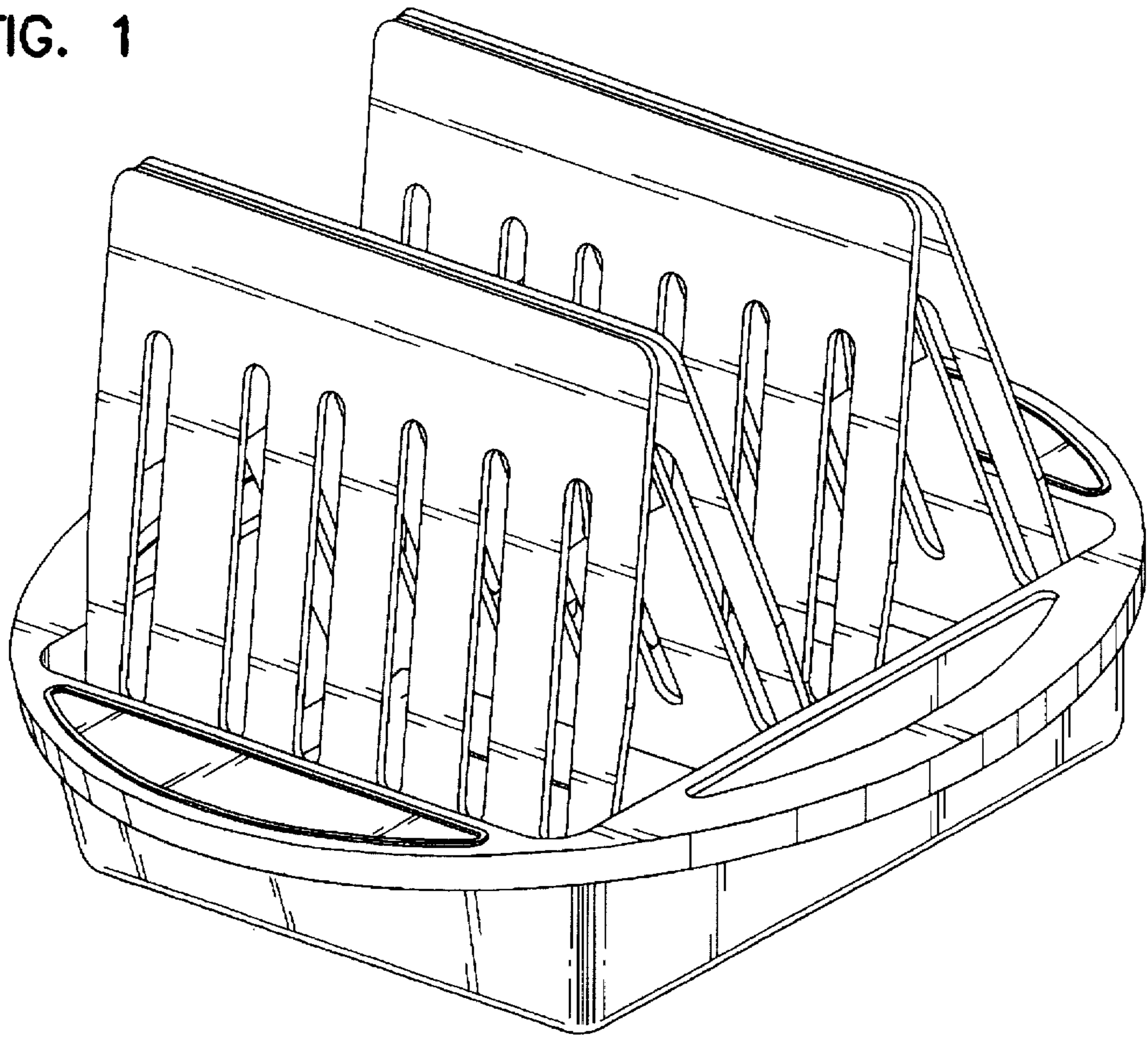


FIG. 2

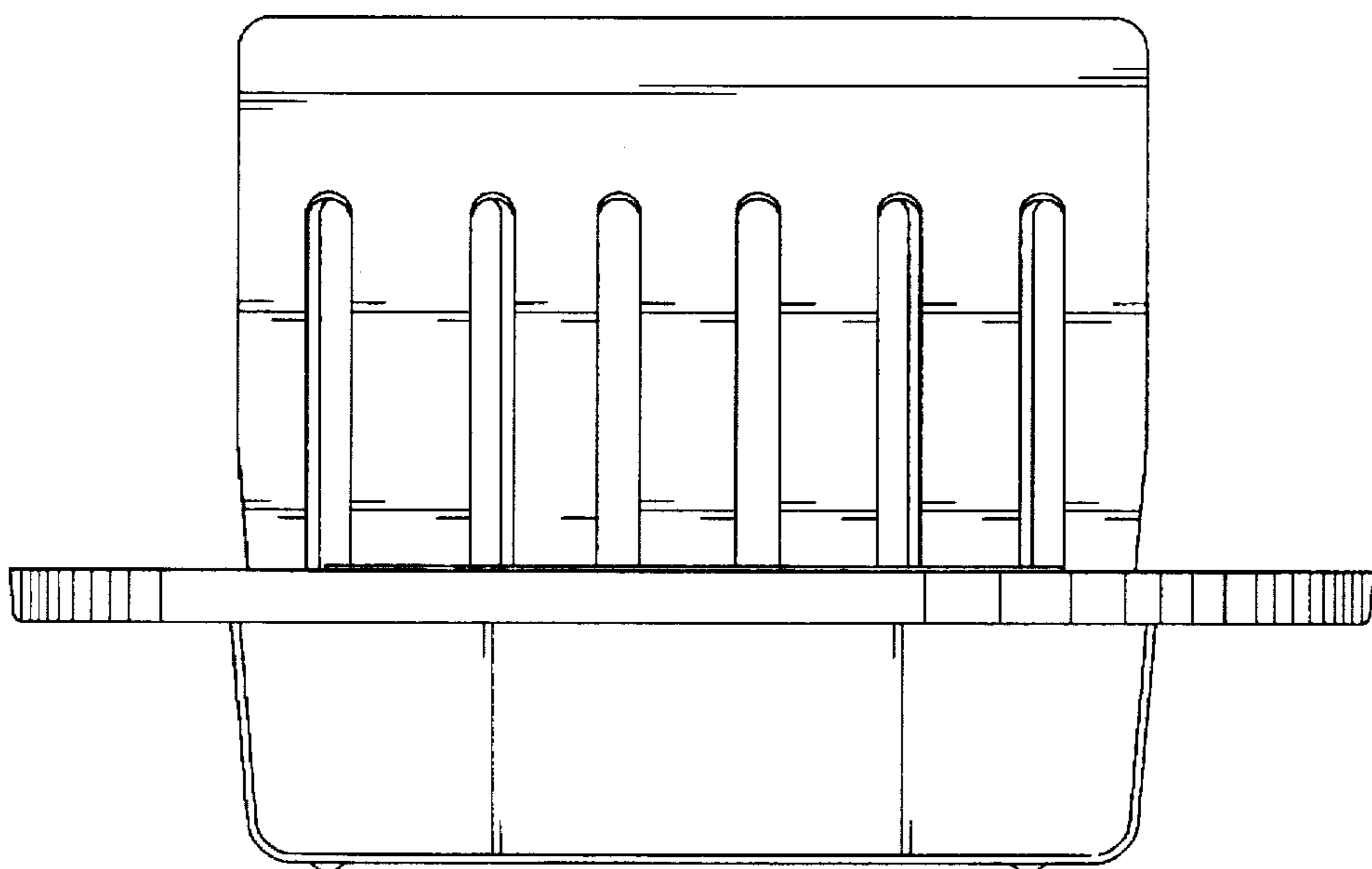


FIG. 3

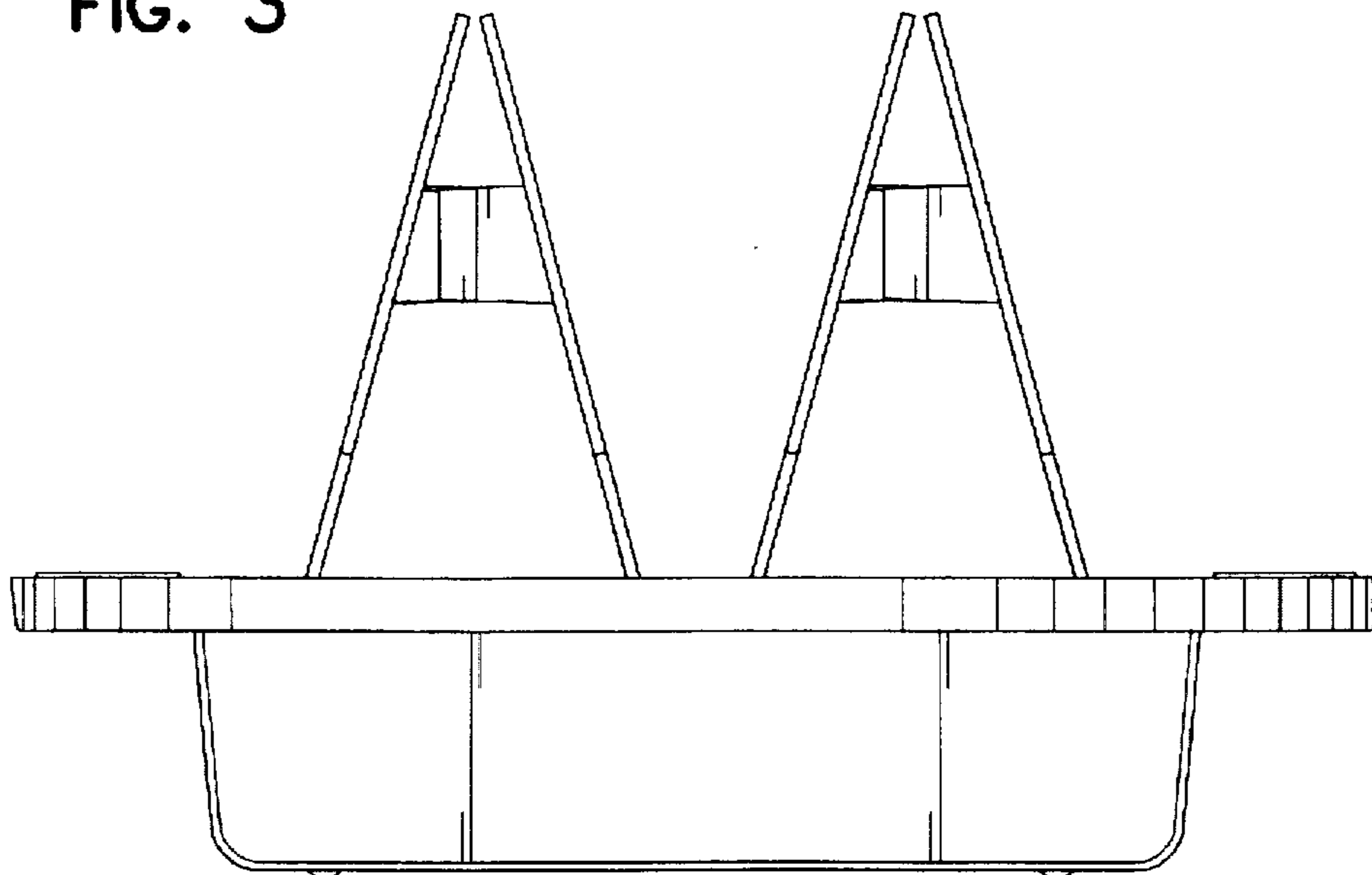


FIG. 4

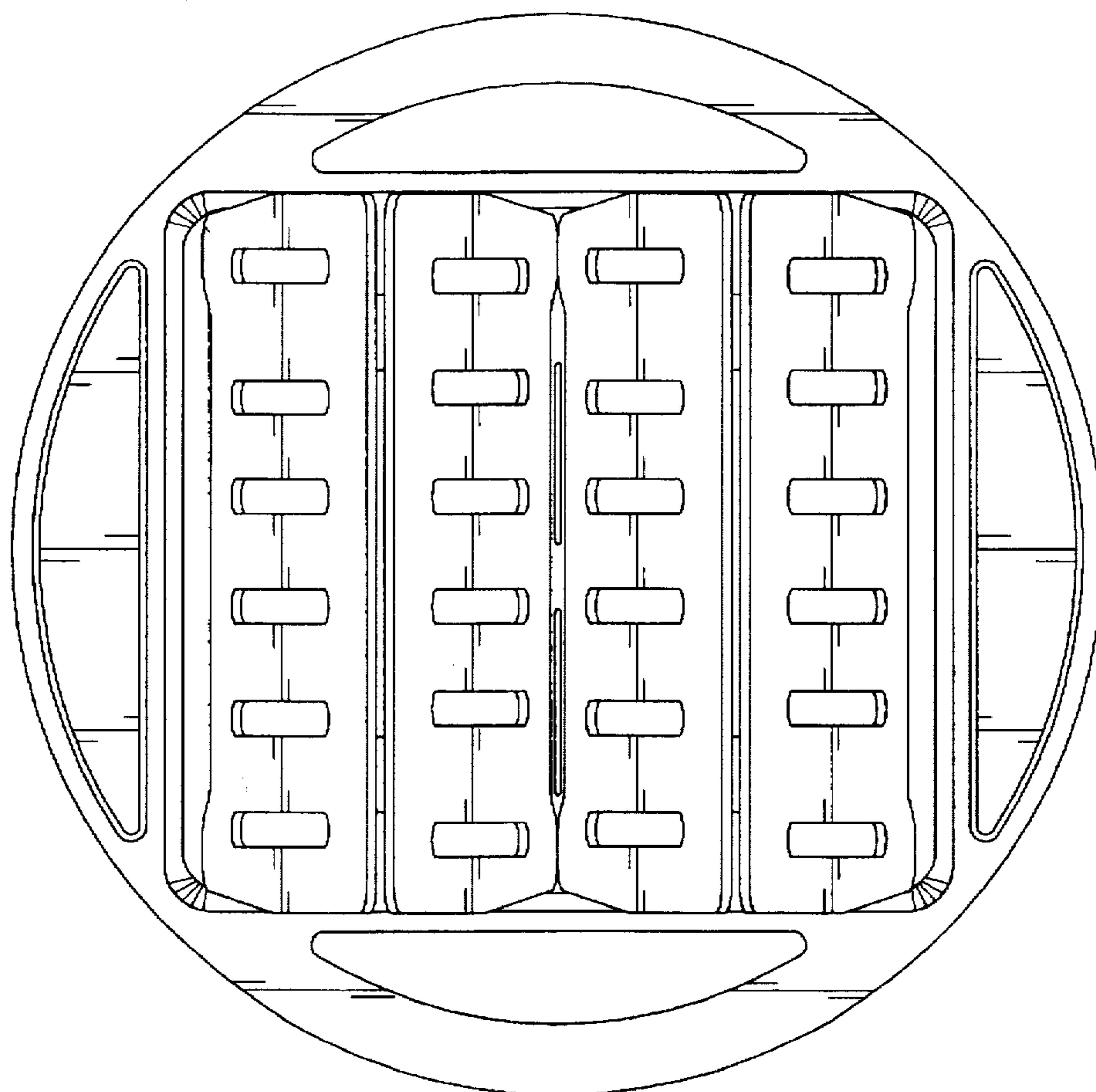


FIG. 5

