



US00D386936S

United States Patent [19]

Stone et al.

[11] Patent Number: **Des. 386,936**

[45] Date of Patent: ****Dec. 2, 1997**

[54] PORTABLE OUTDOOR COOKER

[76] Inventors: **Brian J. Stone**, 105 N. 1st Ave. #251, Sandpoint, Id. 83864; **Richard J. Jafrate**, 214 W. 6th #108, Spokane, Wash. 99204

[**] Term: **14 Years**

[21] Appl. No.: **61,275**

[22] Filed: **Oct. 18, 1996**

[51] LOC (6) Cl. **07-02**

[52] U.S. Cl. **D7/332**

[58] Field of Search D7/332-337, 365-366, D7/403-404; 126/25 R, 25 A, 29, 30, 9 R, 38

[56] References Cited

U.S. PATENT DOCUMENTS

D. 170,943	11/1953	Reinecke	D7/334
D. 171,639	3/1954	Clemens, Jr.	D7/332
D. 242,593	12/1976	Sterket	D7/332
D. 281,944	12/1985	Chan	D7/332
D. 351,507	10/1994	Gregory	D7/335
3,791,368	2/1974	Hunt	126/25 A
4,284,058	8/1981	Lutz	126/9 R
4,502,460	3/1985	Kelz	126/29
4,530,345	7/1985	Christiansen	126/40

4,809,671	3/1989	Vallejo, Jr.	126/39 R
4,889,103	12/1989	Fraioli	126/92 AC
5,158,067	10/1992	Dutro et al.	126/39 R

Primary Examiner—Ruth McInroy
Attorney, Agent, or Firm—Wells, St. John, Roberts, Gregory & Matkin P.S.

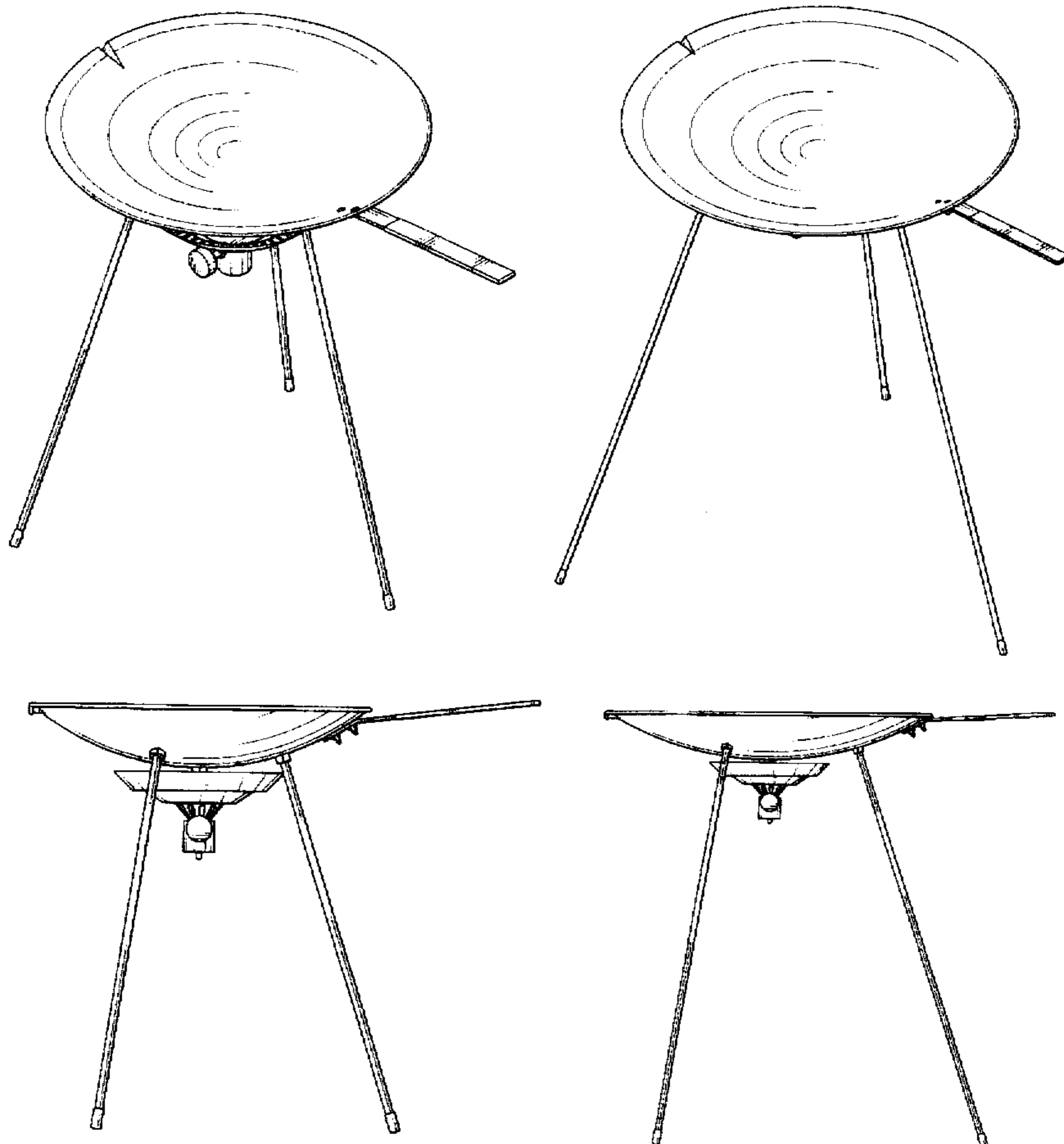
[57] CLAIM

The ornamental design for a portable outdoor cooker, as shown and described.

DESCRIPTION

FIG. 1 is a perspective view of a portable outdoor cooker showing our new design;
 FIG. 2 is a left side elevation view thereof;
 FIG. 3 is a front side elevation view thereof;
 FIG. 4 is a right side elevation view thereof;
 FIG. 5 is a rear side elevation view thereof;
 FIG. 6 is a top plan view thereof;
 FIG. 7 is a bottom plan view thereof;
 FIG. 8 is a perspective view of an alternate form thereof;
 FIG. 9 is a left side elevation view of FIG. 8;
 FIG. 10 is a front side elevation view of FIG. 8;
 FIG. 11 is a right side elevation view of FIG. 8;
 FIG. 12 is a rear side elevation view of FIG. 8;
 FIG. 13 is a top plan view of FIG. 8; and,
 FIG. 14 is a bottom plan view of FIG. 8.

1 Claim, 12 Drawing Sheets





11

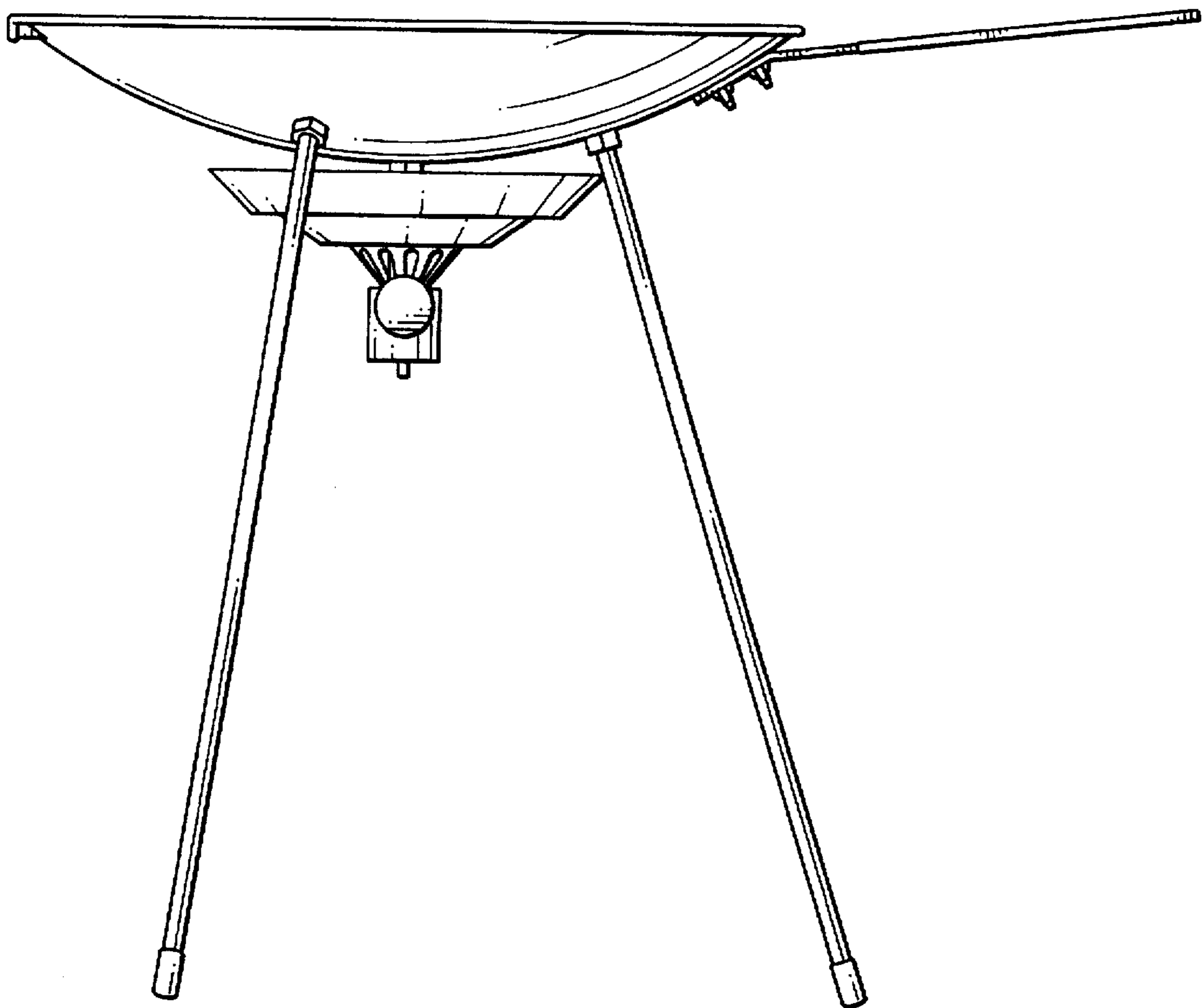


Fig. 2

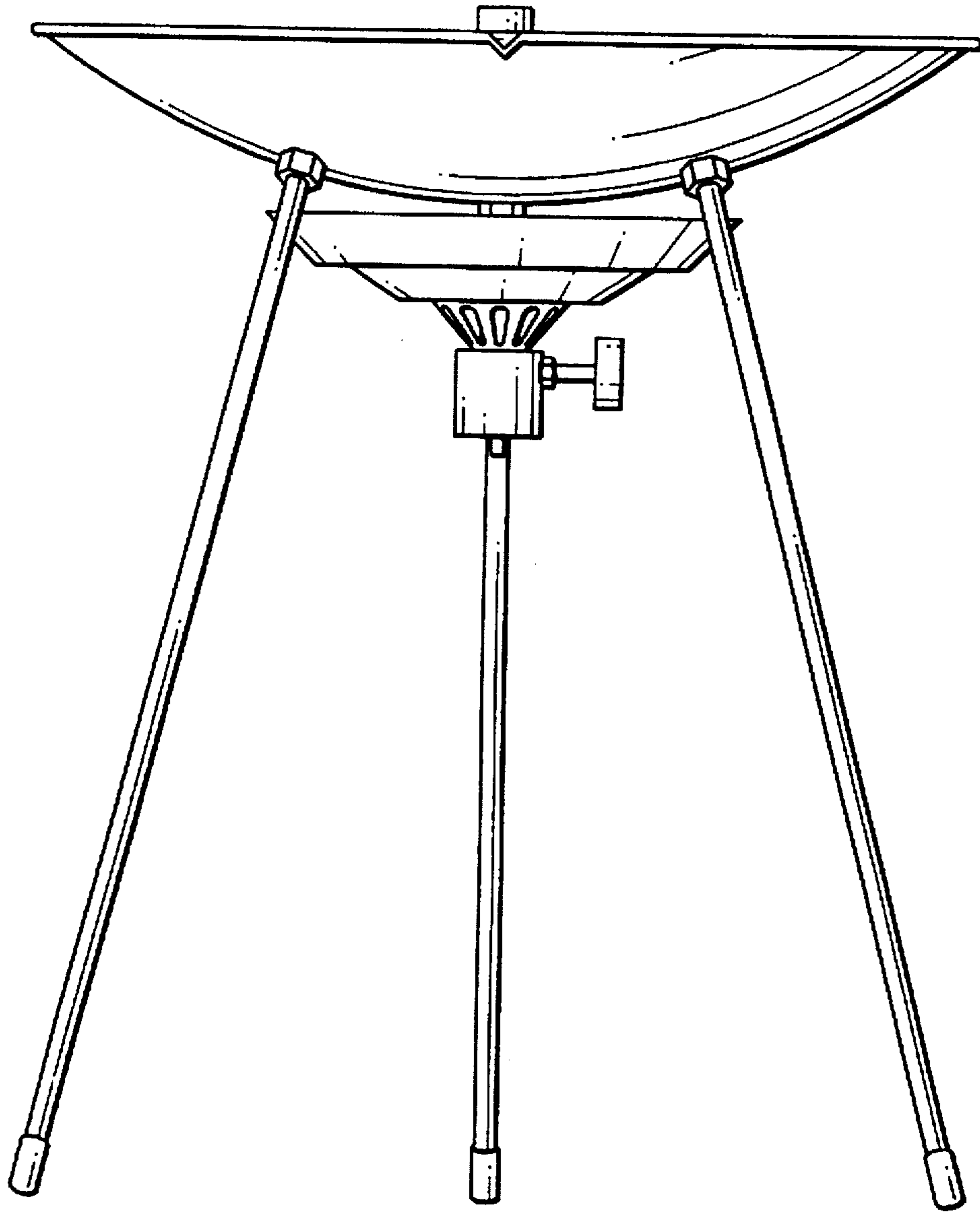


Fig. 3

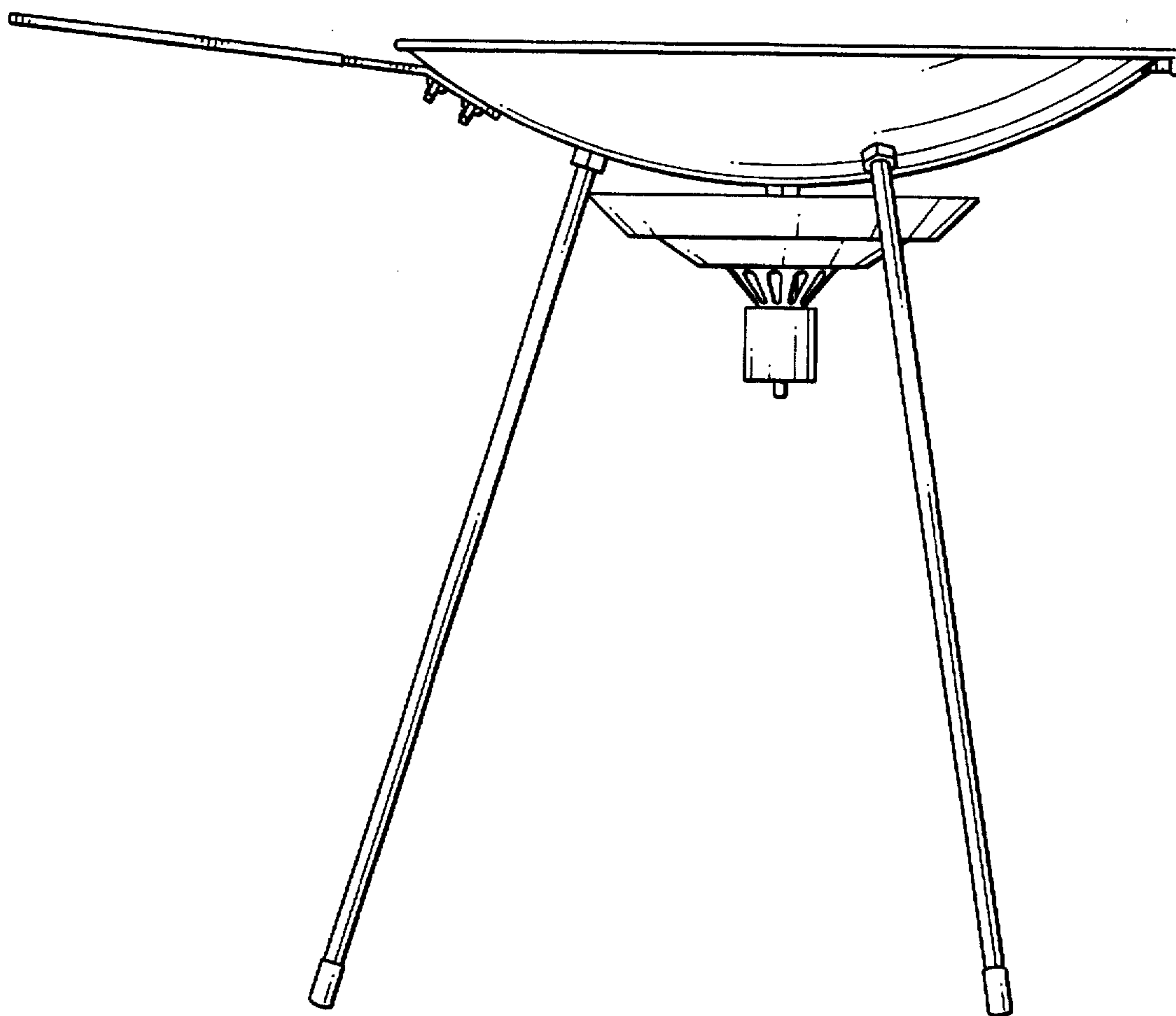


Fig. 4

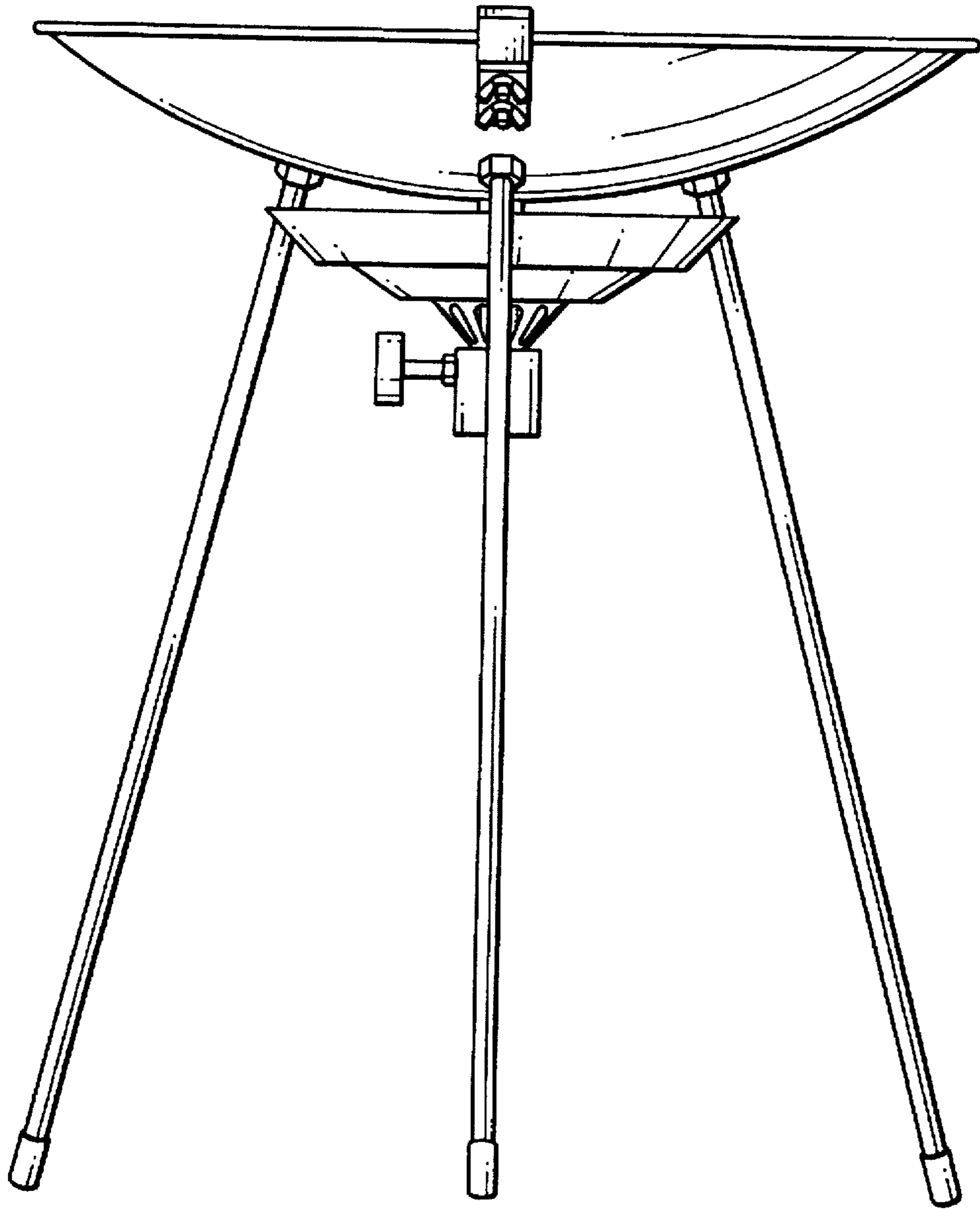
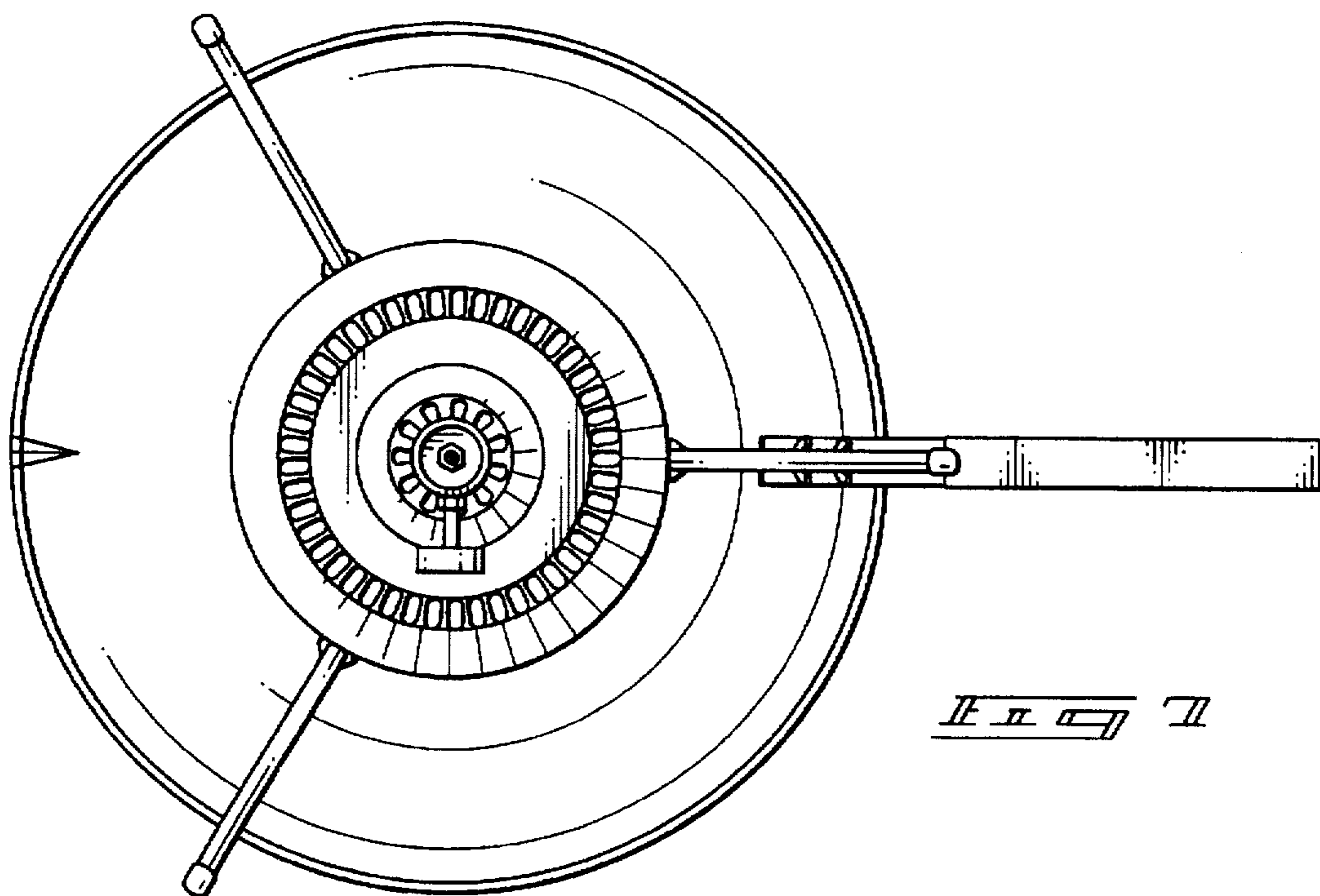
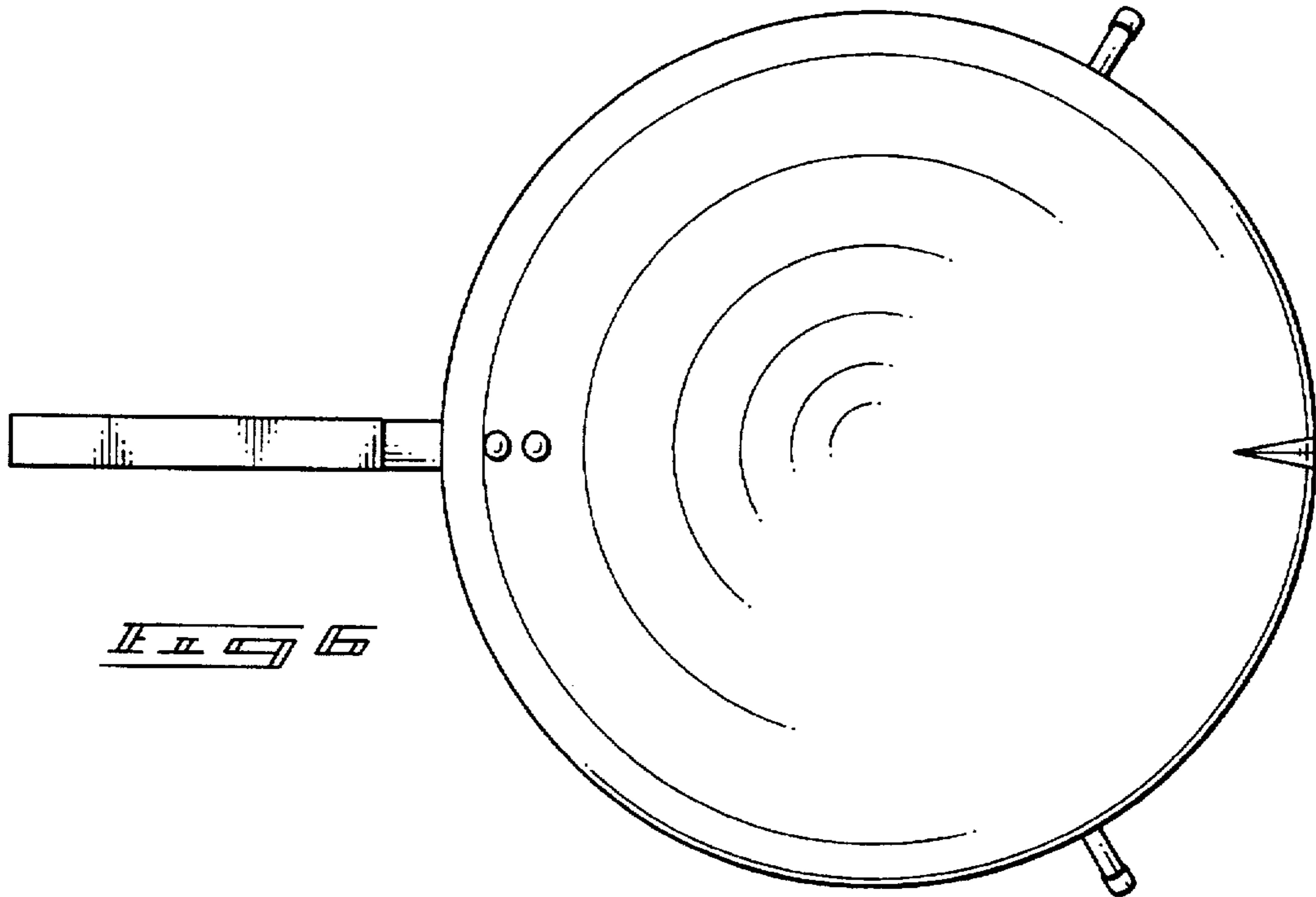
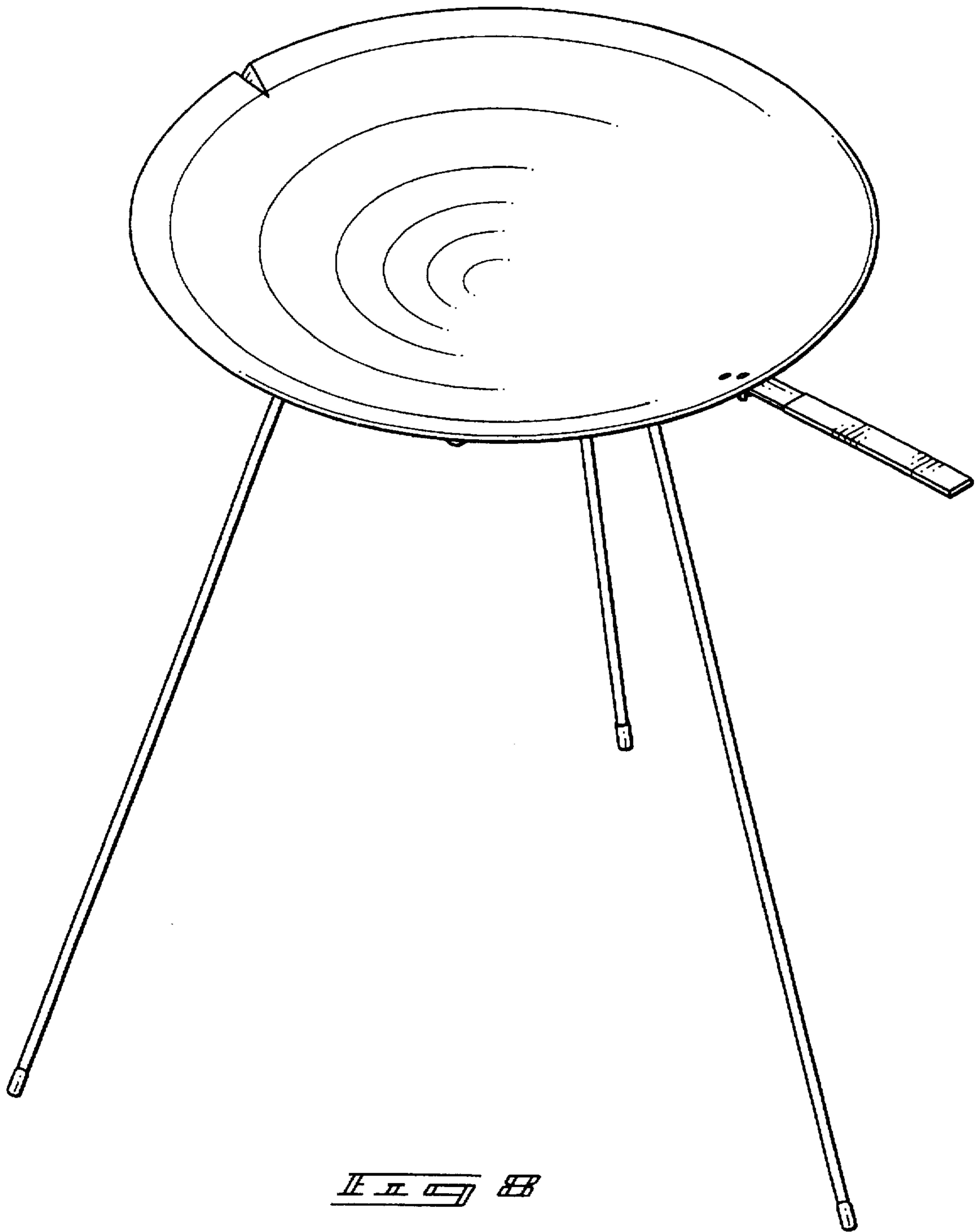


FIG. 5





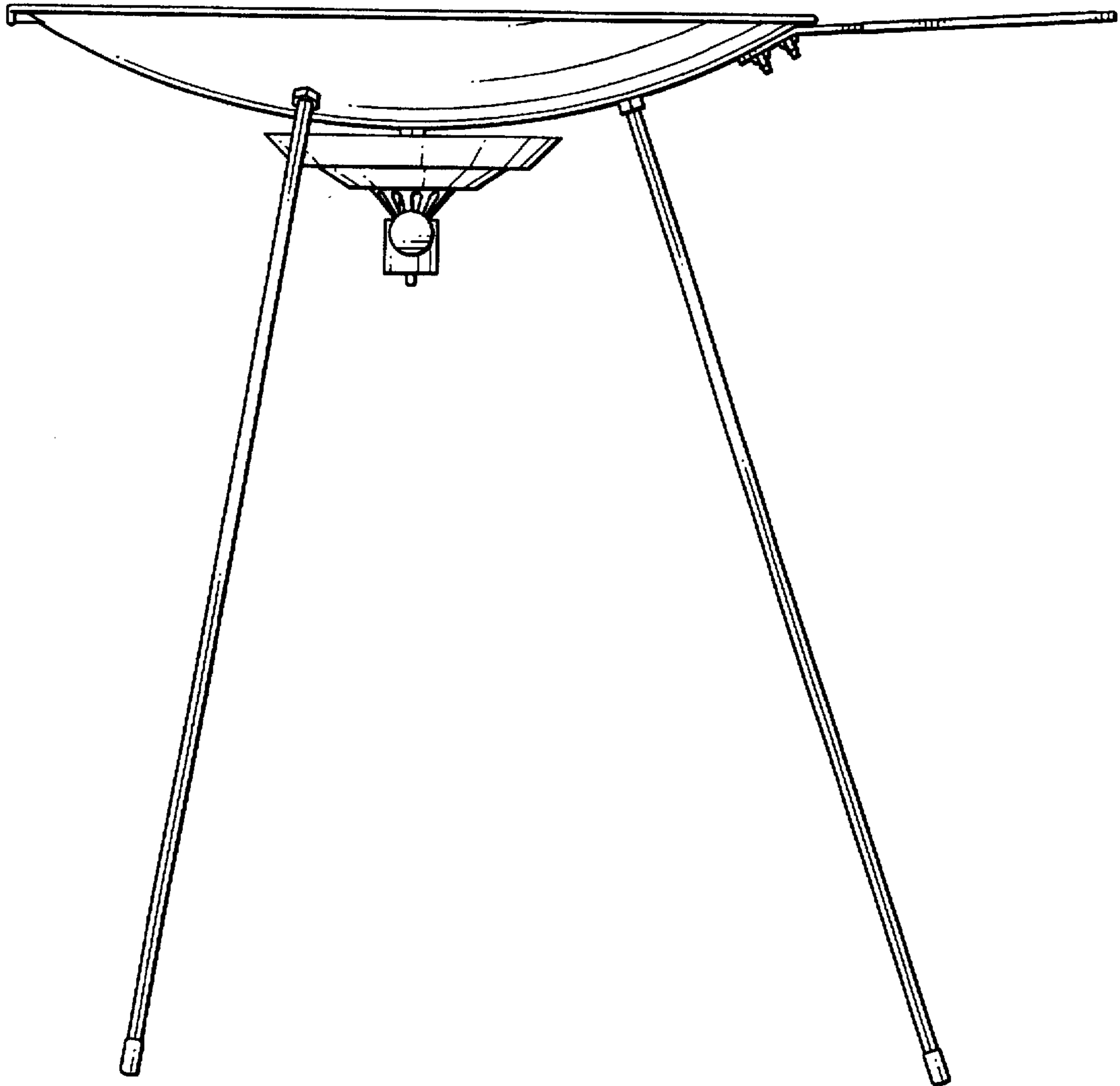


FIG. 9

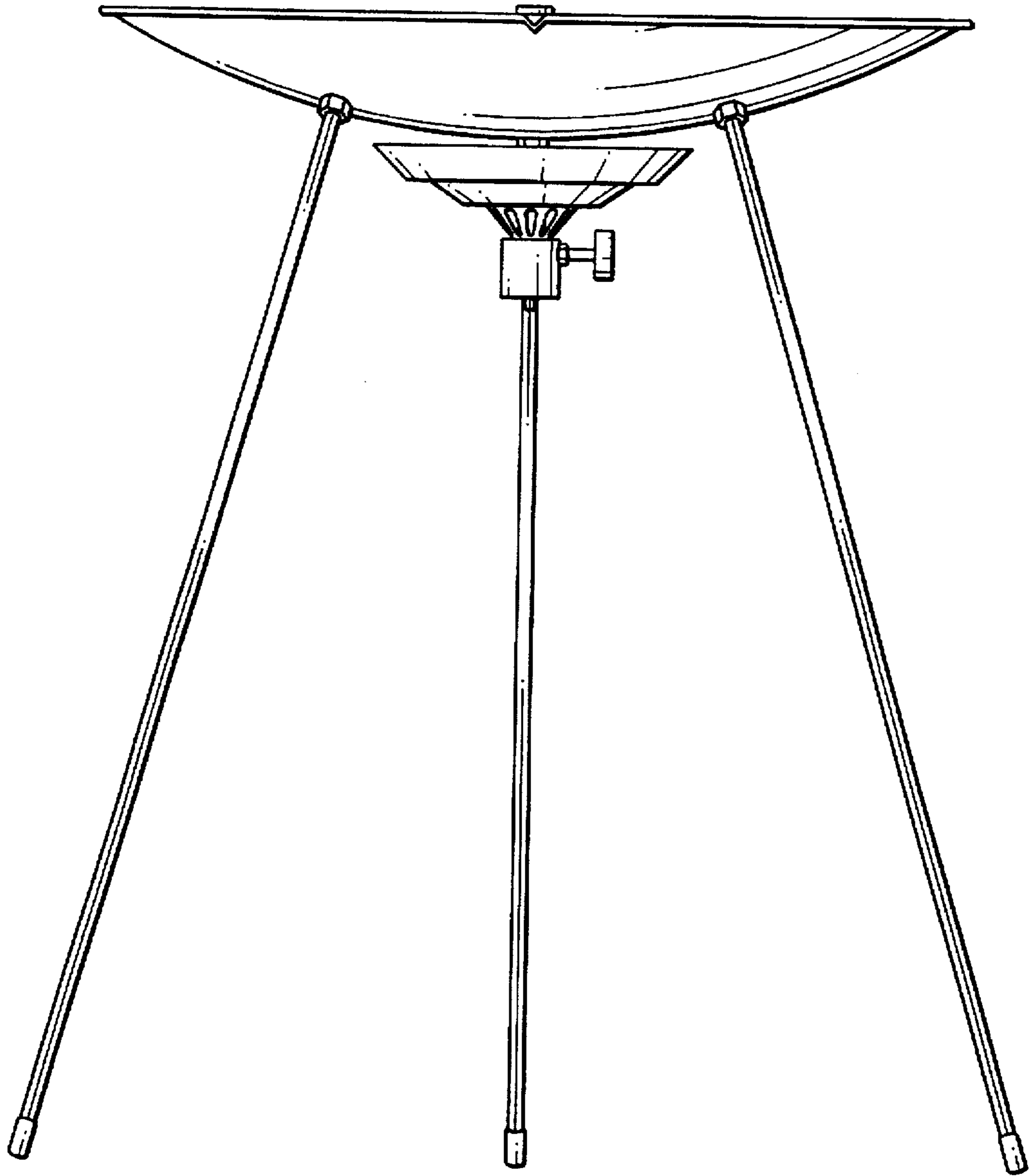


Fig. 10

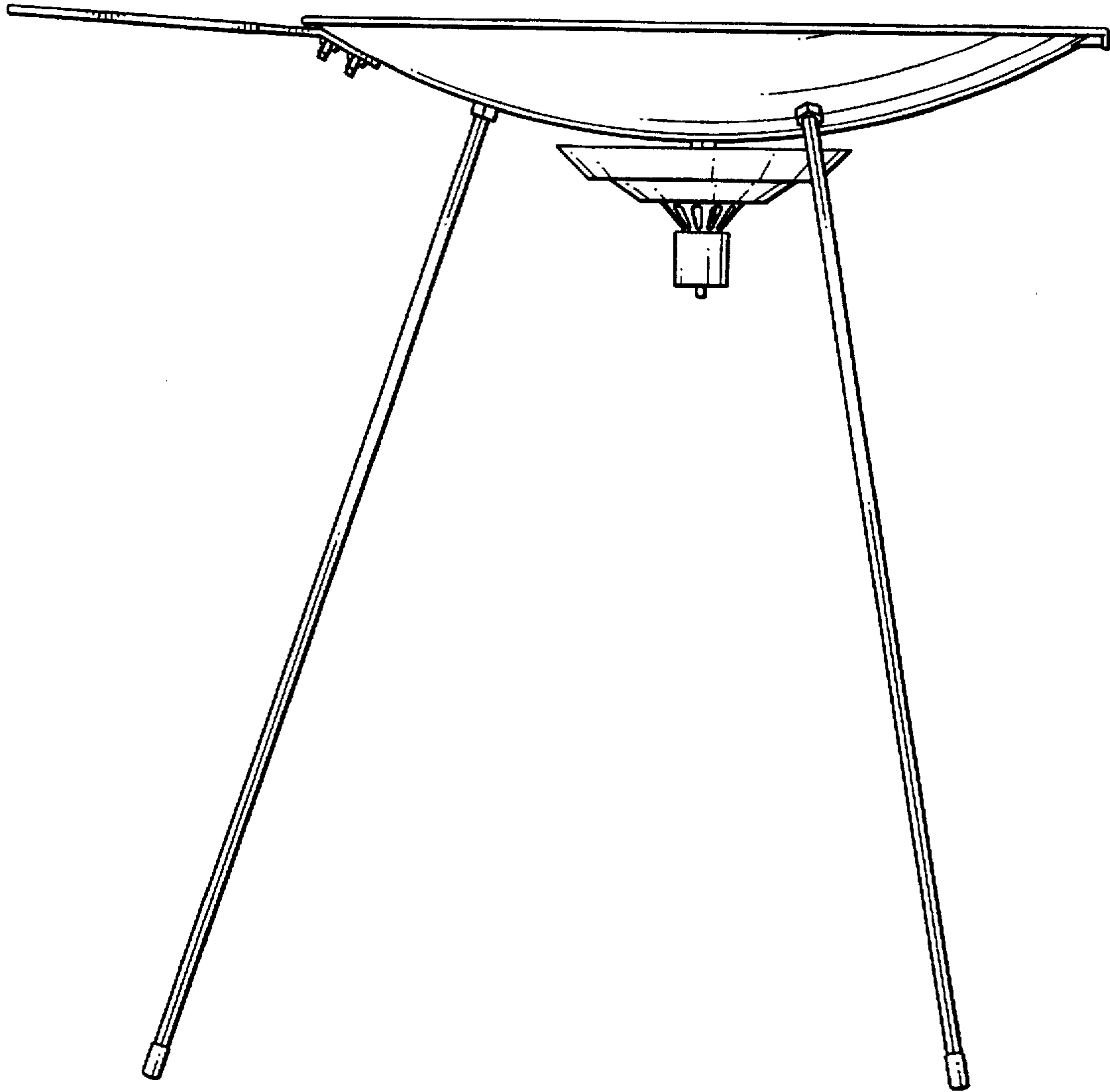


FIG. 11

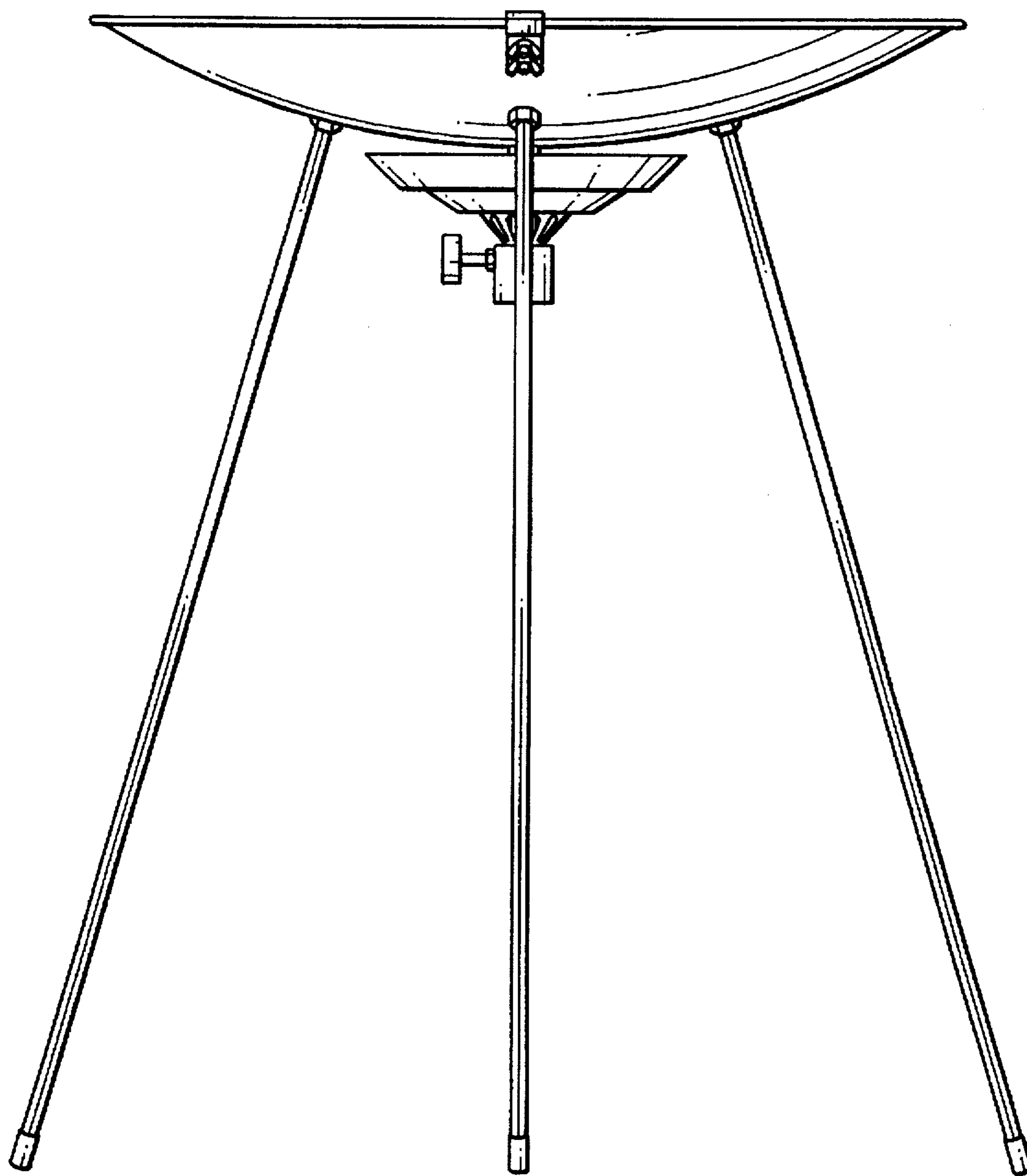


FIG. 11 FIG. 12

