



US00D386931S

United States Patent [19]

[11] Patent Number: **Des. 386,931**

Nemeth

[45] Date of Patent: ****Dec. 2, 1997**

[54] **STORAGE RACK FOR ELECTRONIC DATA MEDIA**

[75] Inventor: **Bradley M. Nemeth**, Oak Ridge, Tenn.

[73] Assignee: **Brauner-Nemeth, Inc.**, Palo Alto, Calif.

[**] Term: **14 Years**

[21] Appl. No.: **62,509**

[22] Filed: **Nov. 18, 1996**

[51] LOC (6) Cl. **06-04**

[52] U.S. Cl. **D6/629; D6/467**

[58] Field of Search D6/407, 629, 630, D6/627, 628, 466, 468, 467, 476; 211/40-42; 206/503, 509, 307, 307.1, 308.1, 309, 387.1, 387.15, 445, 454; 312/9.48, 9.53, 9.47, 9.1, 9.64

[56] **References Cited**

U.S. PATENT DOCUMENTS

- D. 283,957 5/1986 Stravitz D6/407
- D. 295,930 5/1988 Drake et al. D6/407
- D. 307,977 5/1990 Egly et al. D6/407 X

- D. 308,599 6/1990 Long et al. D6/629
- D. 320,707 10/1991 Garfinkle D6/407
- 4,620,740 11/1986 Kinzig 312/9.64 X
- 4,655,345 4/1987 Drake et al. 206/309
- 4,678,245 7/1987 Fouassier 206/308.1 X
- 4,889,244 12/1989 Hehn et al. 211/40 X
- 5,050,734 9/1991 Chen 312/9.47 X
- 5,238,112 8/1993 Massey et al. 312/9.53 X

Primary Examiner—Jeffrey Asch
Attorney, Agent, or Firm—Pitts & Brittan, P.C.

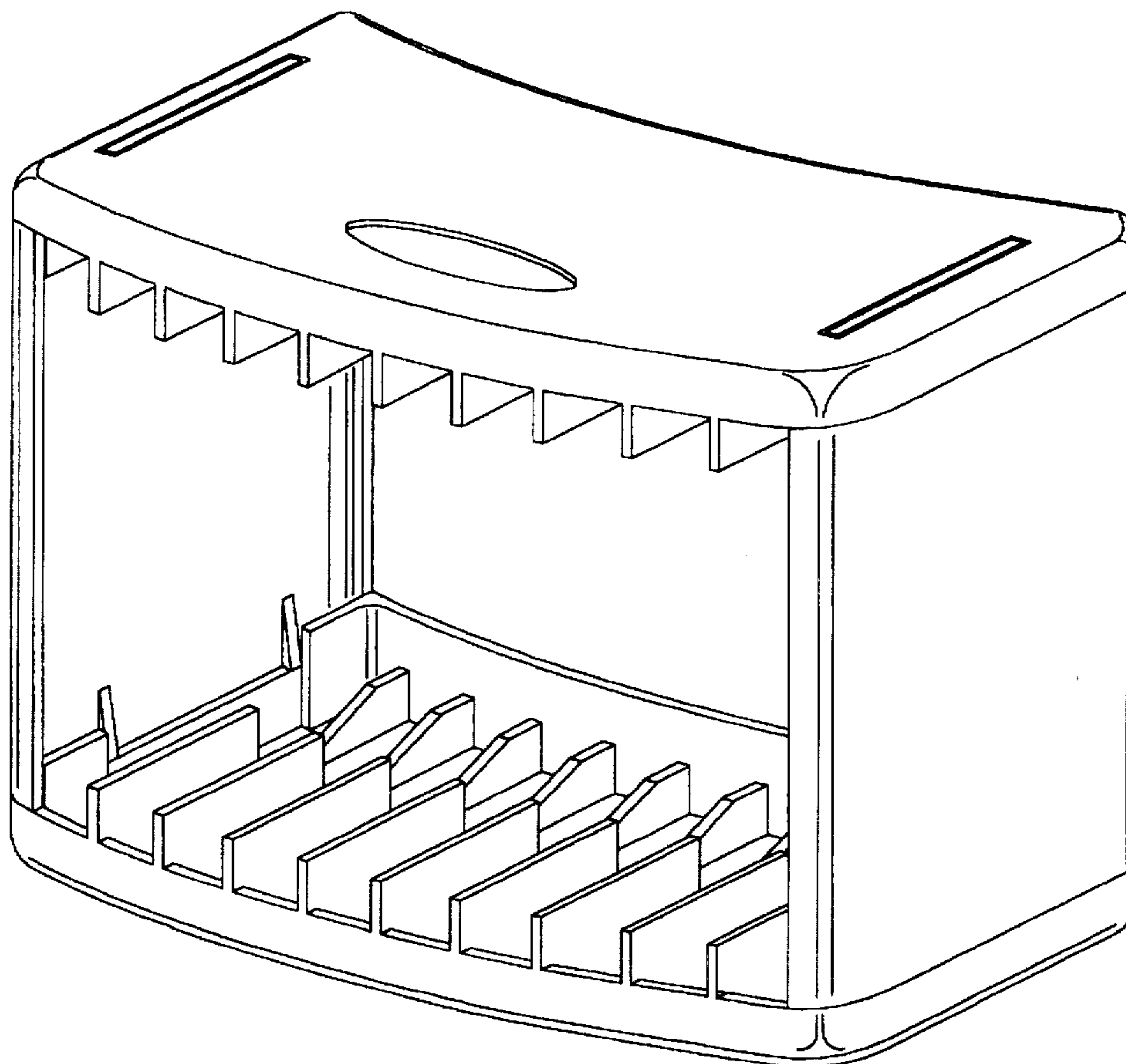
[57] **CLAIM**

The ornamental design of a storage rack for electronic data media, as shown and described.

DESCRIPTION

FIG. 1 is a perspective view of a storage rack for electronic data media showing my new design; FIG. 2 is a top plan view thereof, the bottom plan view being a mirror image of the top plan view; FIG. 3 is a front elevation view thereof; FIG. 4 is a back elevation thereof; and, FIG. 5 is a right end elevation view thereof, the left end elevation being a mirror image of the right end elevation.

1 Claim, 5 Drawing Sheets



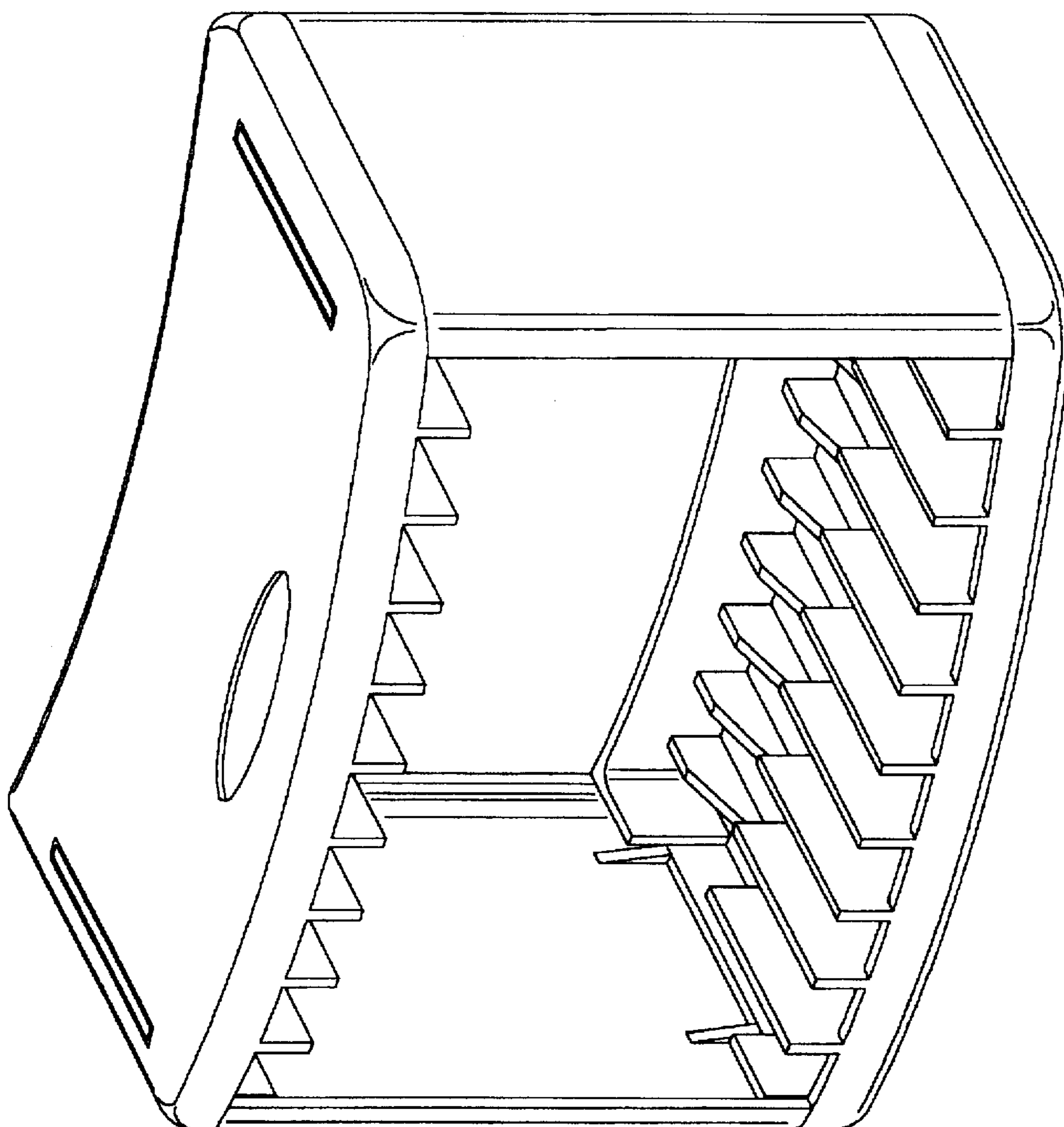


Fig. 1

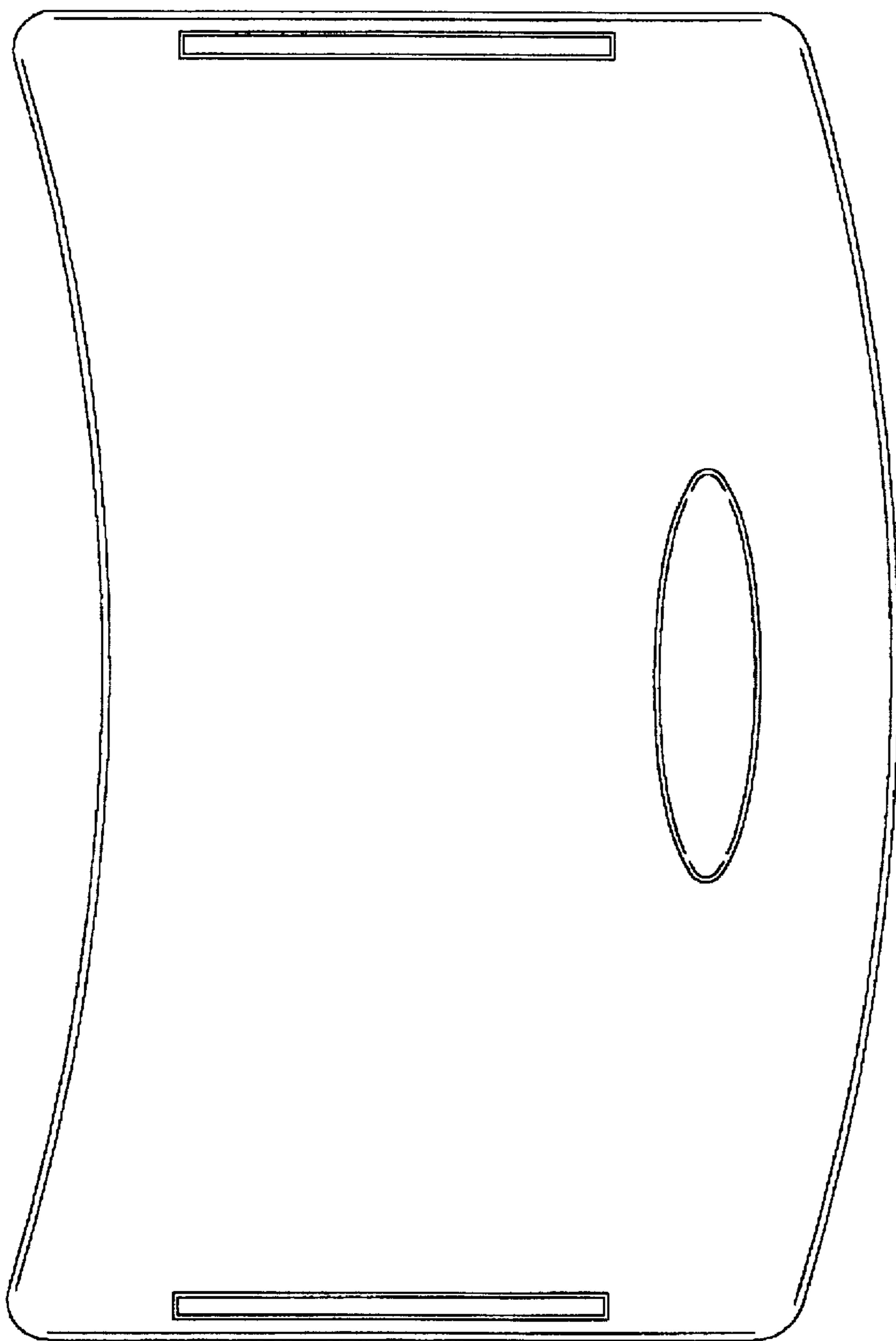


Fig. 2

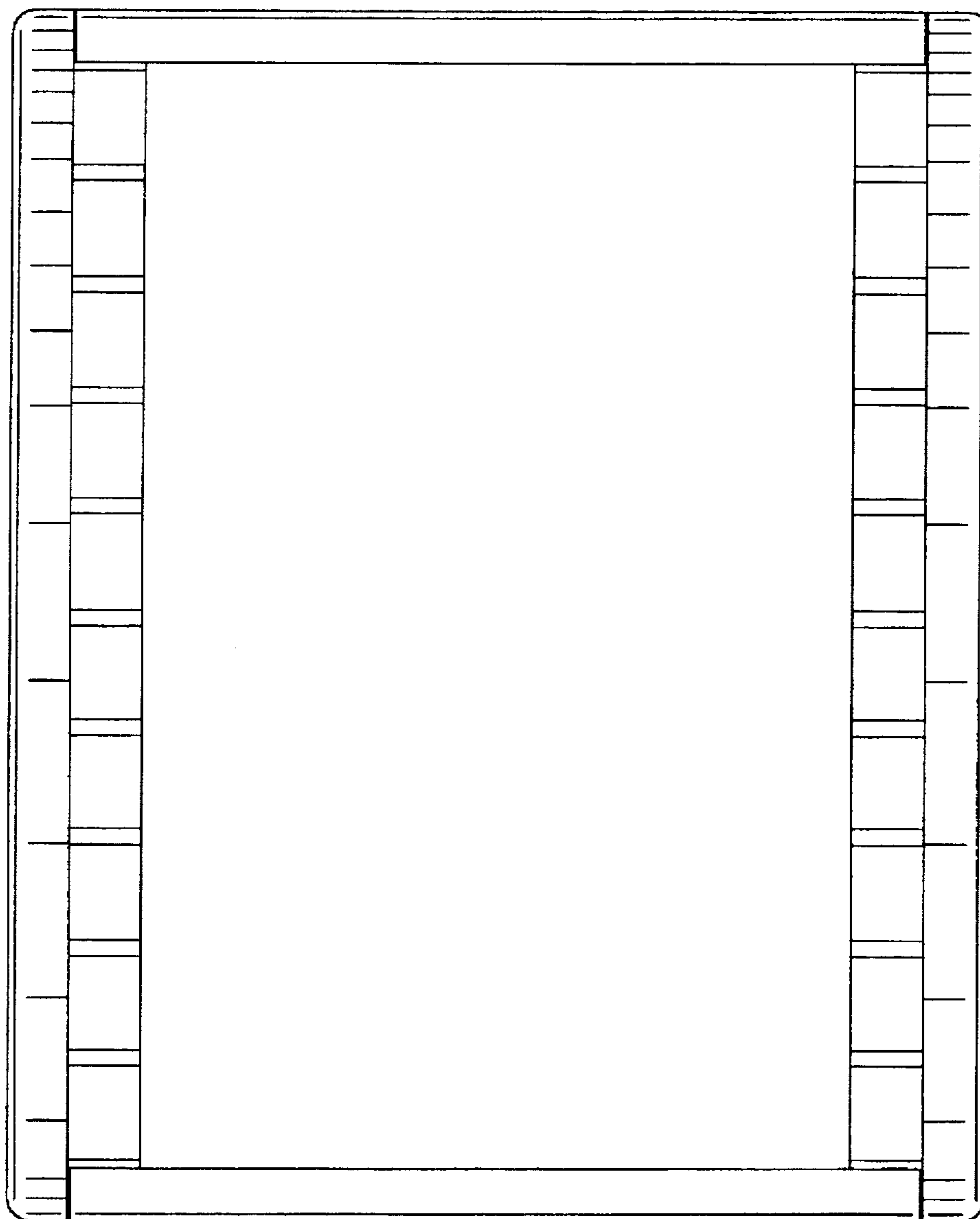


Fig. 3

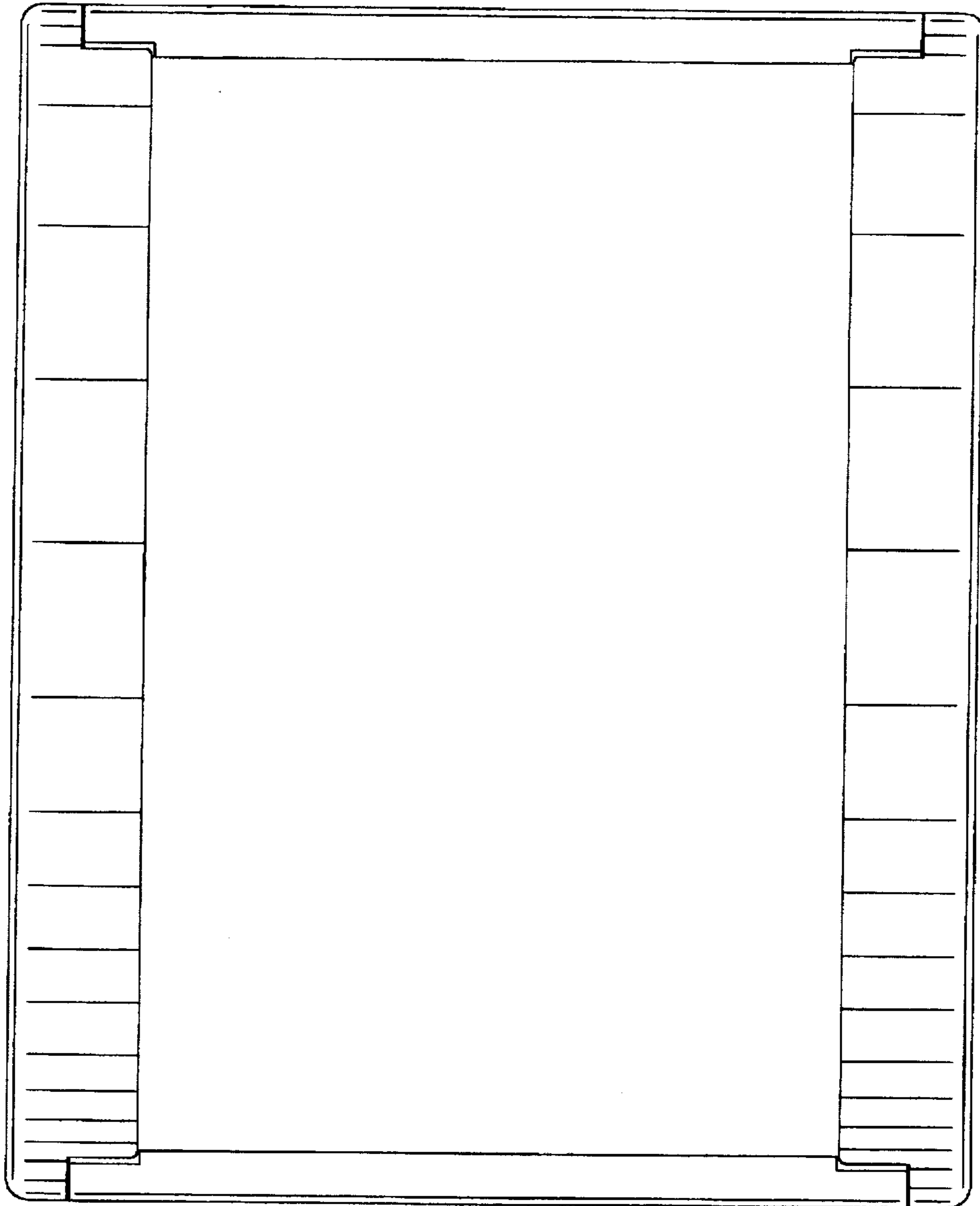


Fig. 4

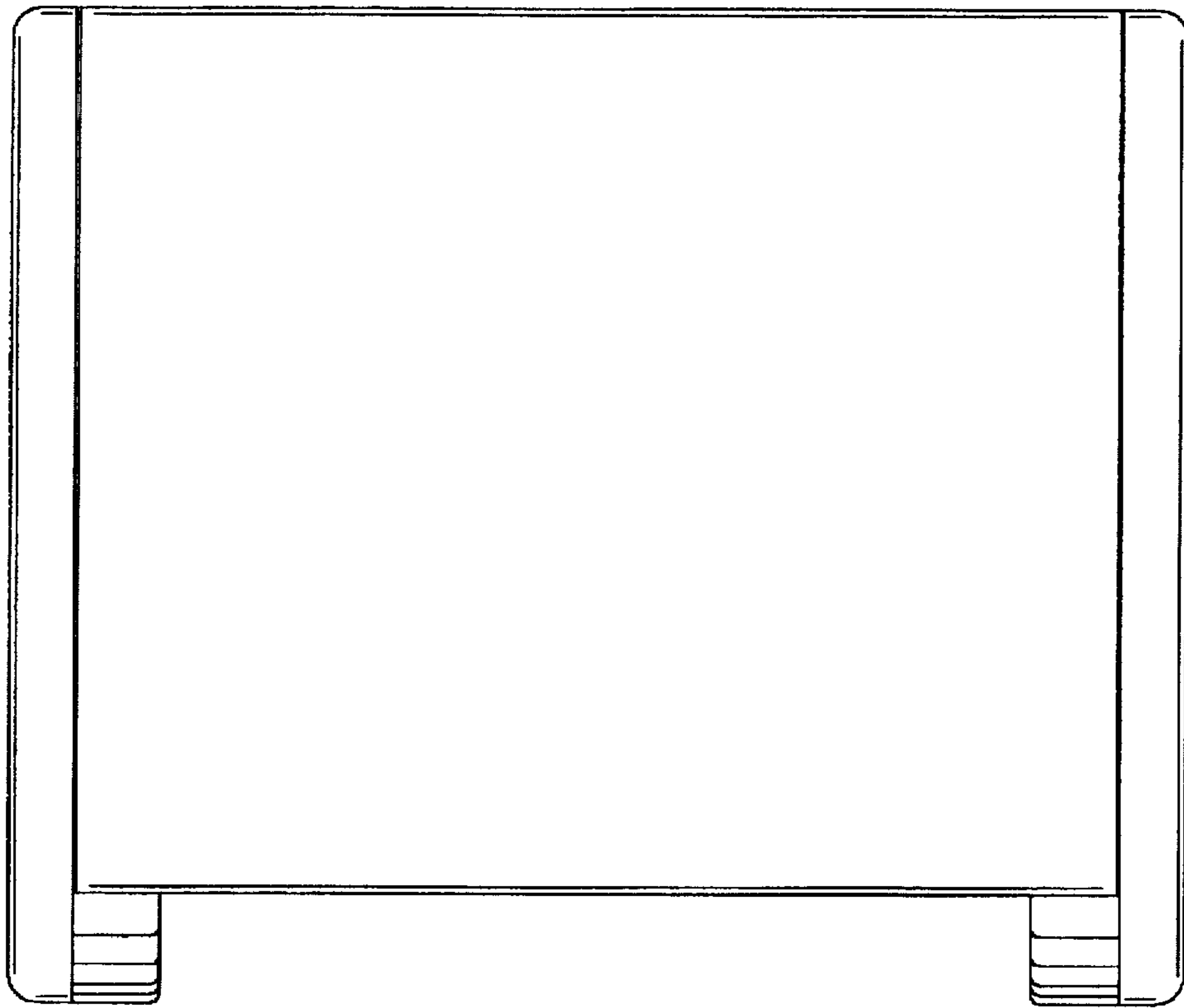


Fig. 5