

US00D386930S

United States Patent [19]
Bissett

[11] **Patent Number:** **Des. 386,930**
[45] **Date of Patent:** ****Dec. 2, 1997**

[54] **ARM COVER FOR FUTON BED**
[75] **Inventor:** **J. Glenn Bissett, Asheville, N.C.**
[73] **Assignee:** **BJ Mountain Inc., Asheville, N.C.**
[**] **Term:** **14 Years**
[21] **Appl. No.:** **54,933**
[22] **Filed:** **May 24, 1996**
[51] **LOC (6) Cl.** **06-13**
[52] **U.S. Cl.** **D6/610; D6/611**
[58] **Field of Search** **D6/501, 601, 335,**
D6/379, 610, 611, 588-592, 582-583; 150/158,
164, 165

[56] **References Cited**

U.S. PATENT DOCUMENTS

D. 225,504 12/1972 Good D6/500
D. 331,521 12/1992 Kelldorf D6/610 X

Primary Examiner—Nelson C. Holtje
Attorney, Agent, or Firm—Carter & Schnedler, P.A.

[57] **CLAIM**

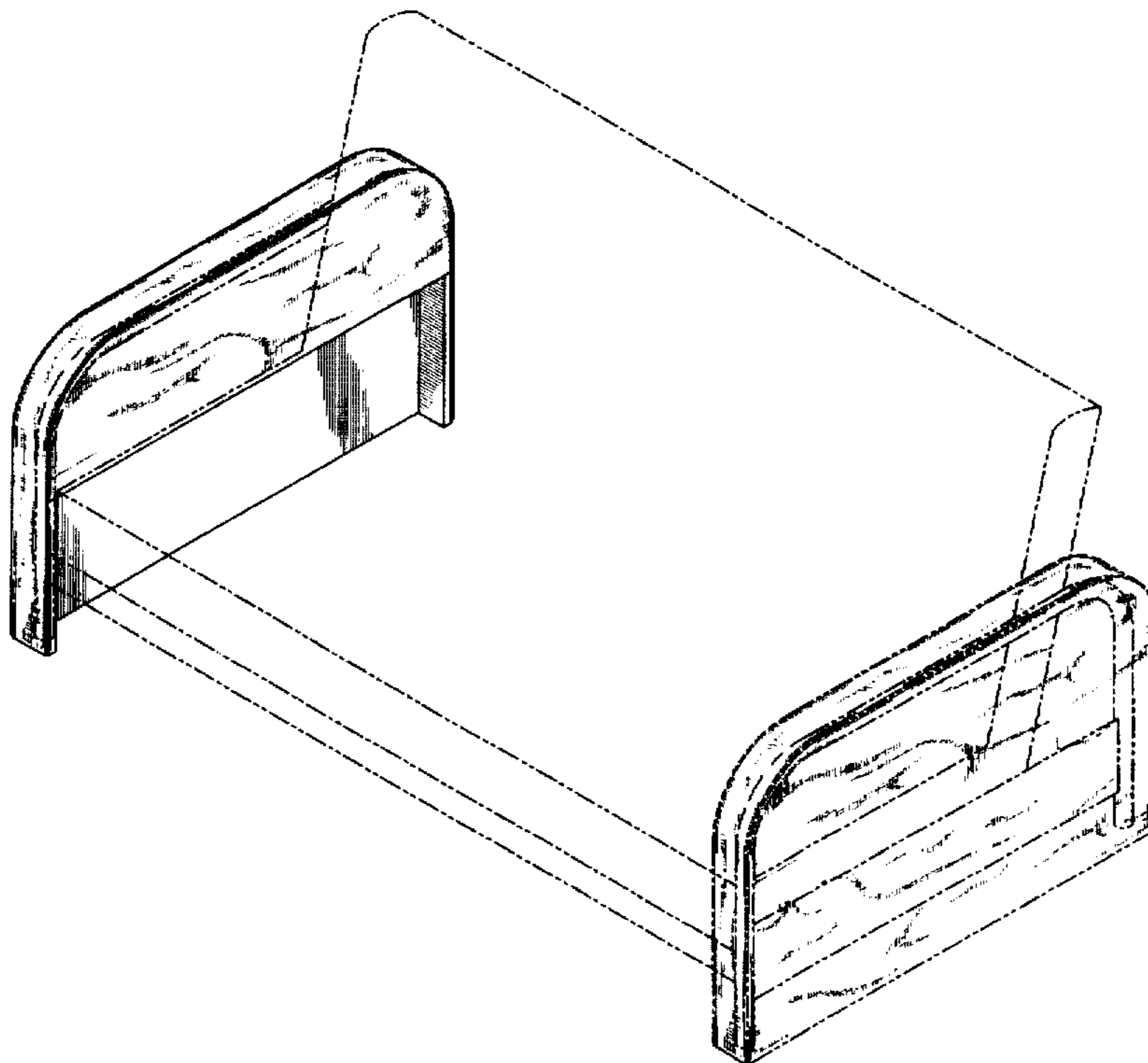
The ornamental design for the arm cover for Futon bed, as shown and described.

DESCRIPTION

FIG. 1 is a perspective view of the arm cover for futon bed showing my new design, the broken line showings of another cover and the bed are environmental only and form no part of the claimed design;

FIG. 2 is an outer side elevational view thereof;
FIG. 3 is an inner side elevational view thereof;
FIG. 4 is a front elevational view thereof, the rear being a mirror image;
FIG. 5 is a top plan view thereof;
FIG. 6 is a bottom plan view thereof;
FIG. 7 is an outer side elevational view of a second embodiment of my new design of FIGS. 1-6, the inner side being identical to FIG. 3;
FIG. 8 is a right side elevational view of FIG. 7, all other views being identical except for the horizontal strip;
FIG. 9 is a perspective view of a third embodiment of my new design of FIGS. 1-6, the broken line showings of another cover and the bed are environmental only and form no part of the claimed design;
FIG. 10 is an outer side elevational view thereof;
FIG. 11 is an inner side elevational view thereof;
FIG. 12 is a left side elevational view of FIG. 10;
FIG. 13 is a right side elevational view of FIG. 10;
FIG. 14 is a top plan view thereof;
FIG. 15 is a bottom plan view thereof;
FIG. 16 is an outer side elevational view of a fourth embodiment of my new design of FIGS. 1-6, the inner side being identical to FIG. 3; and,
FIG. 17 is a right side elevational view of FIG. 16, all other views being identical except for the horizontal strip.

1 Claim, 8 Drawing Sheets



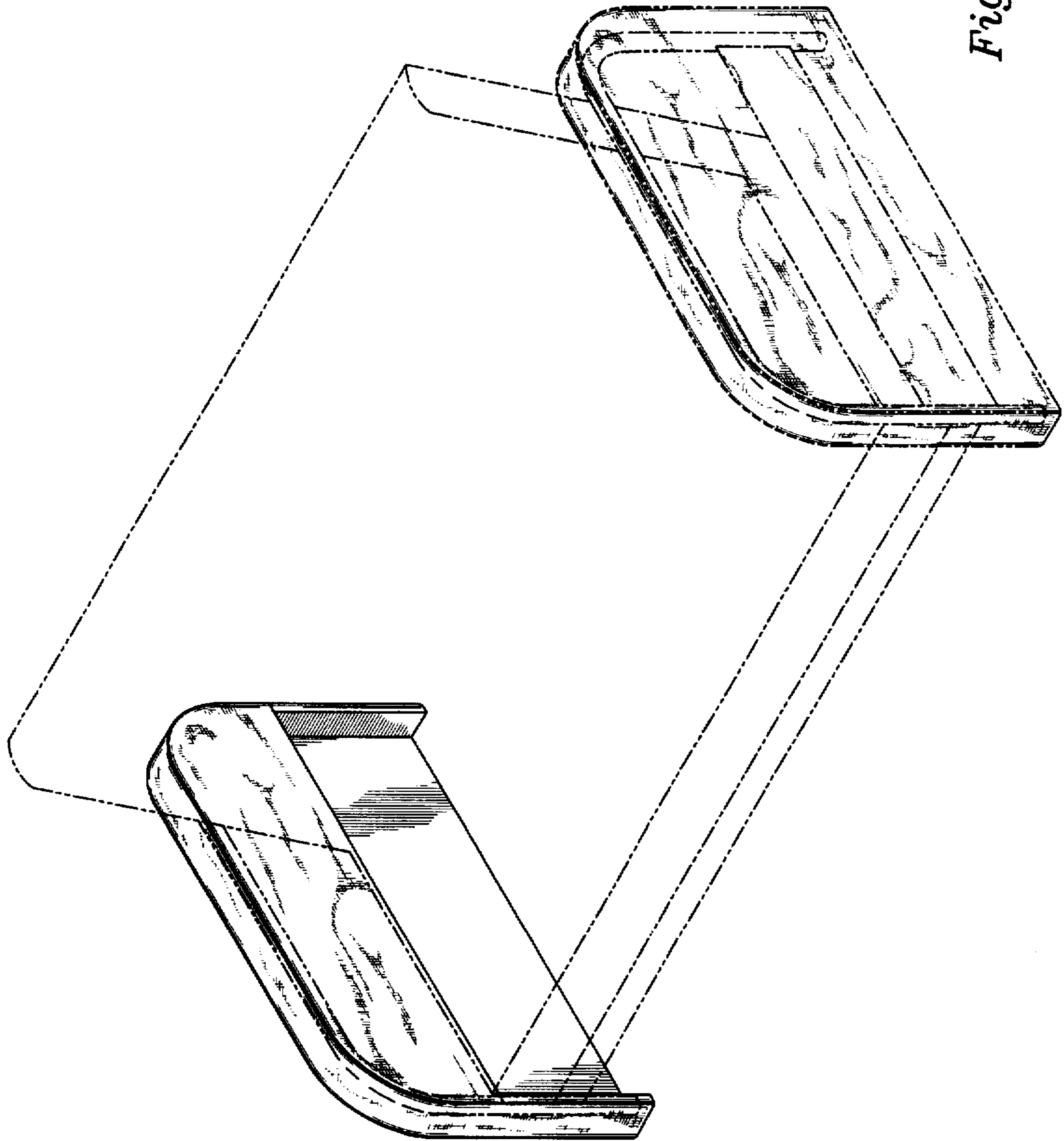


Fig. 1

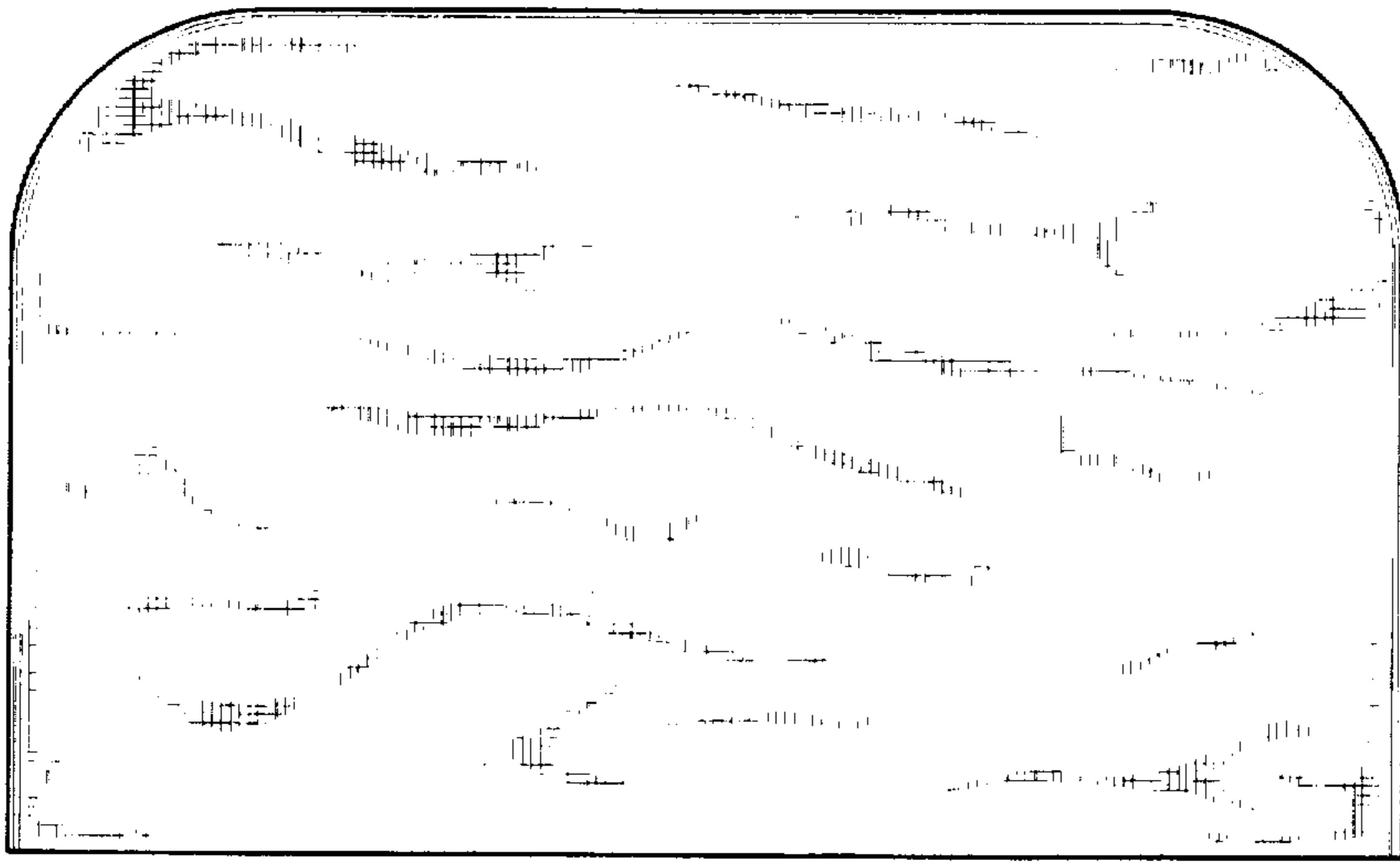


Fig. 2

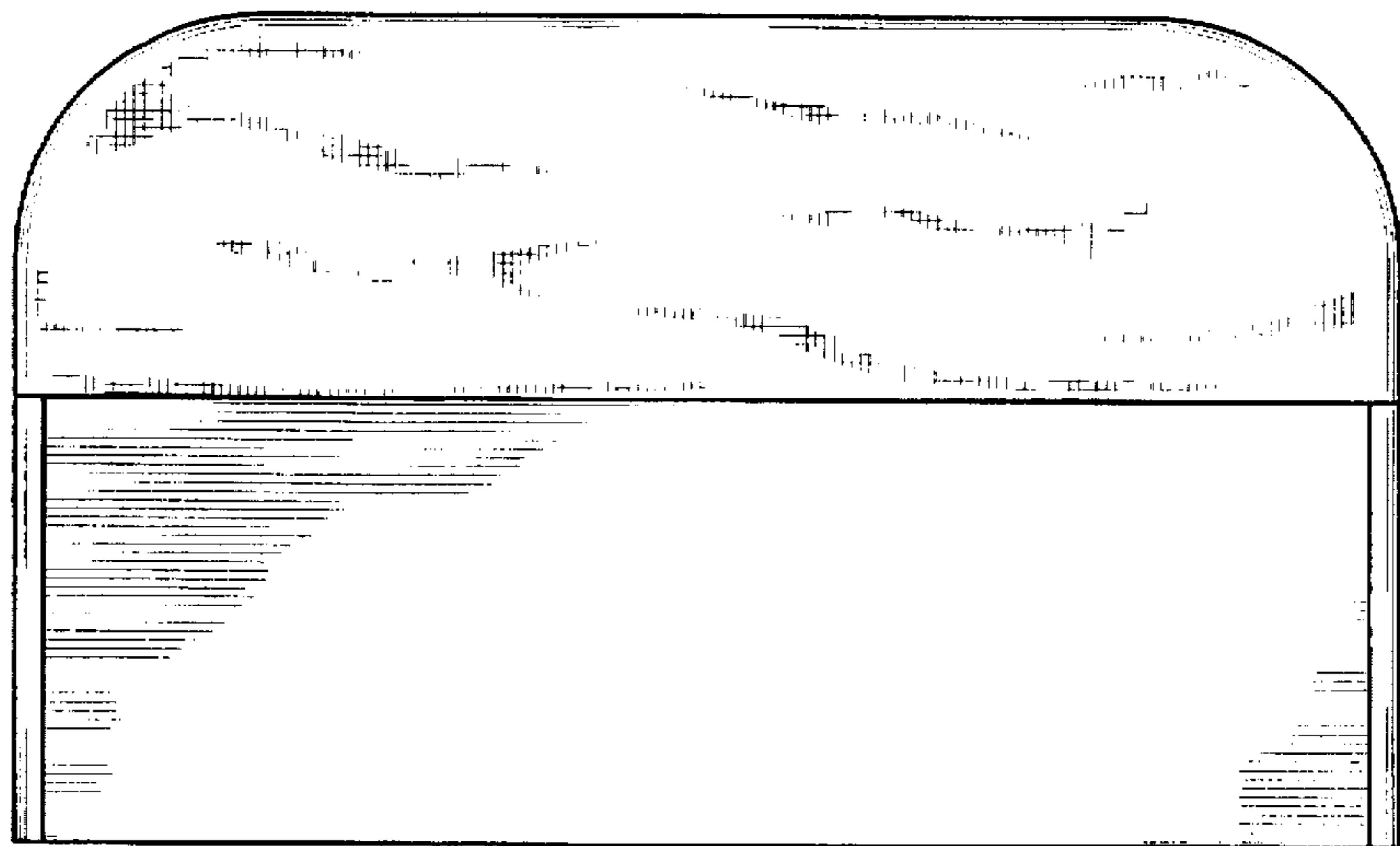


Fig. 3

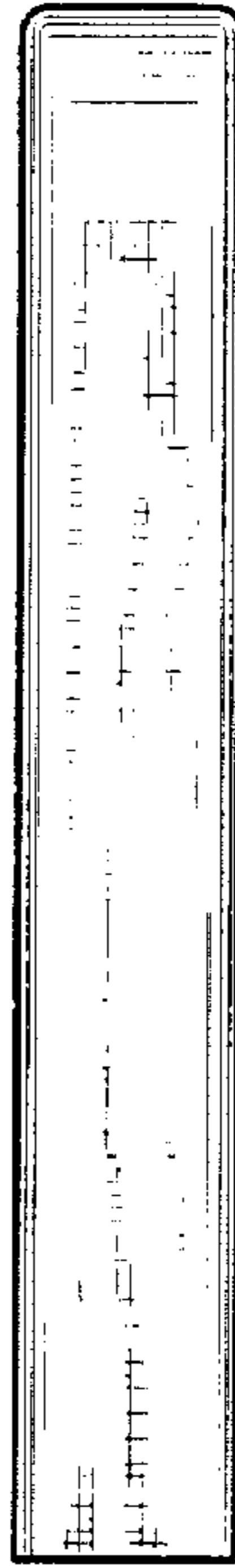


Fig. 4



Fig. 5

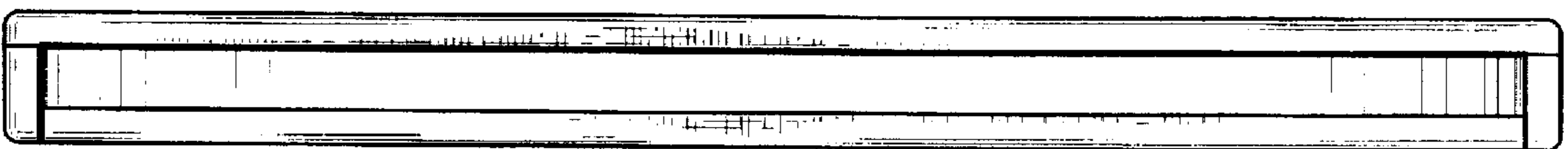


Fig. 6

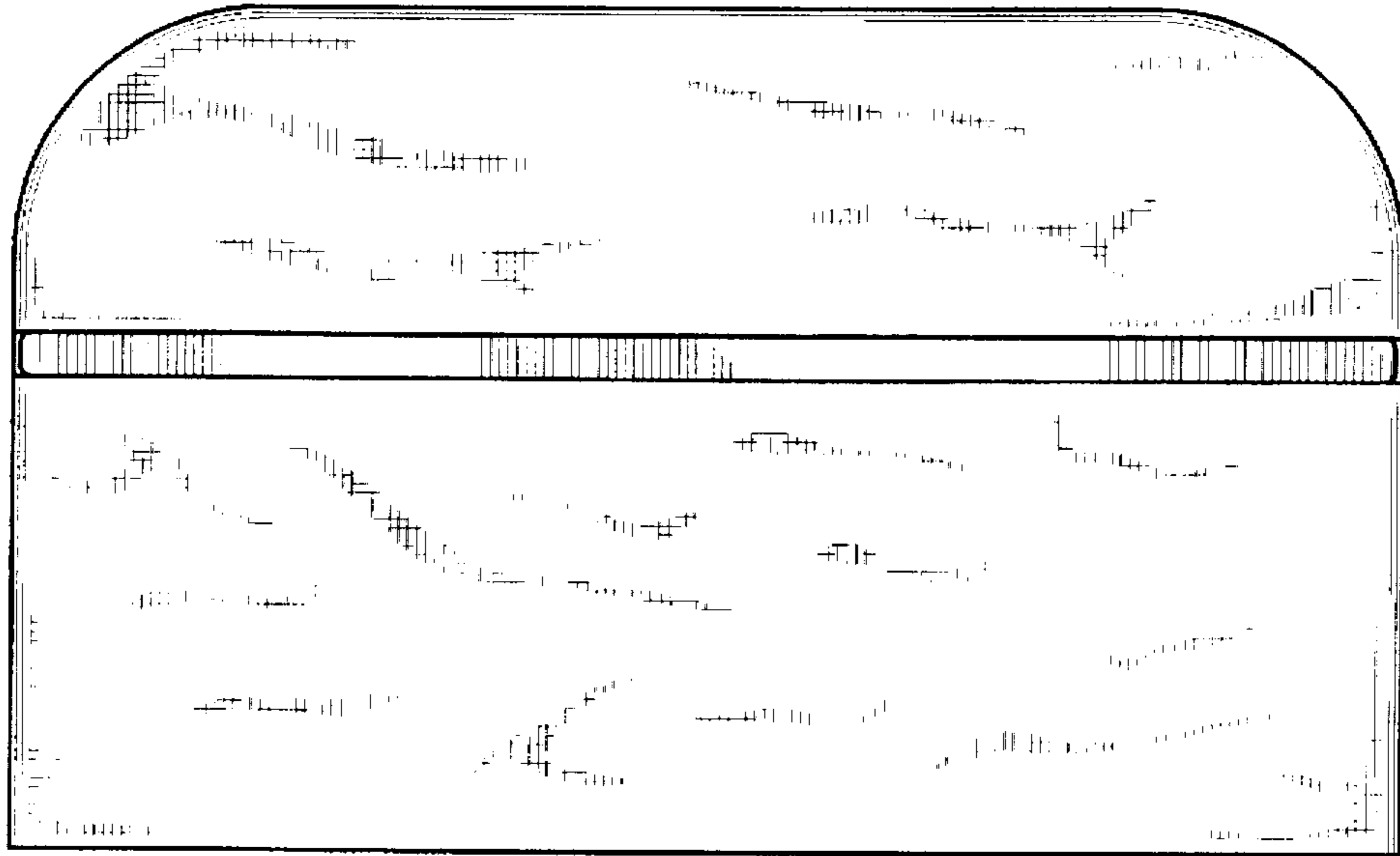


Fig. 7



Fig. 8

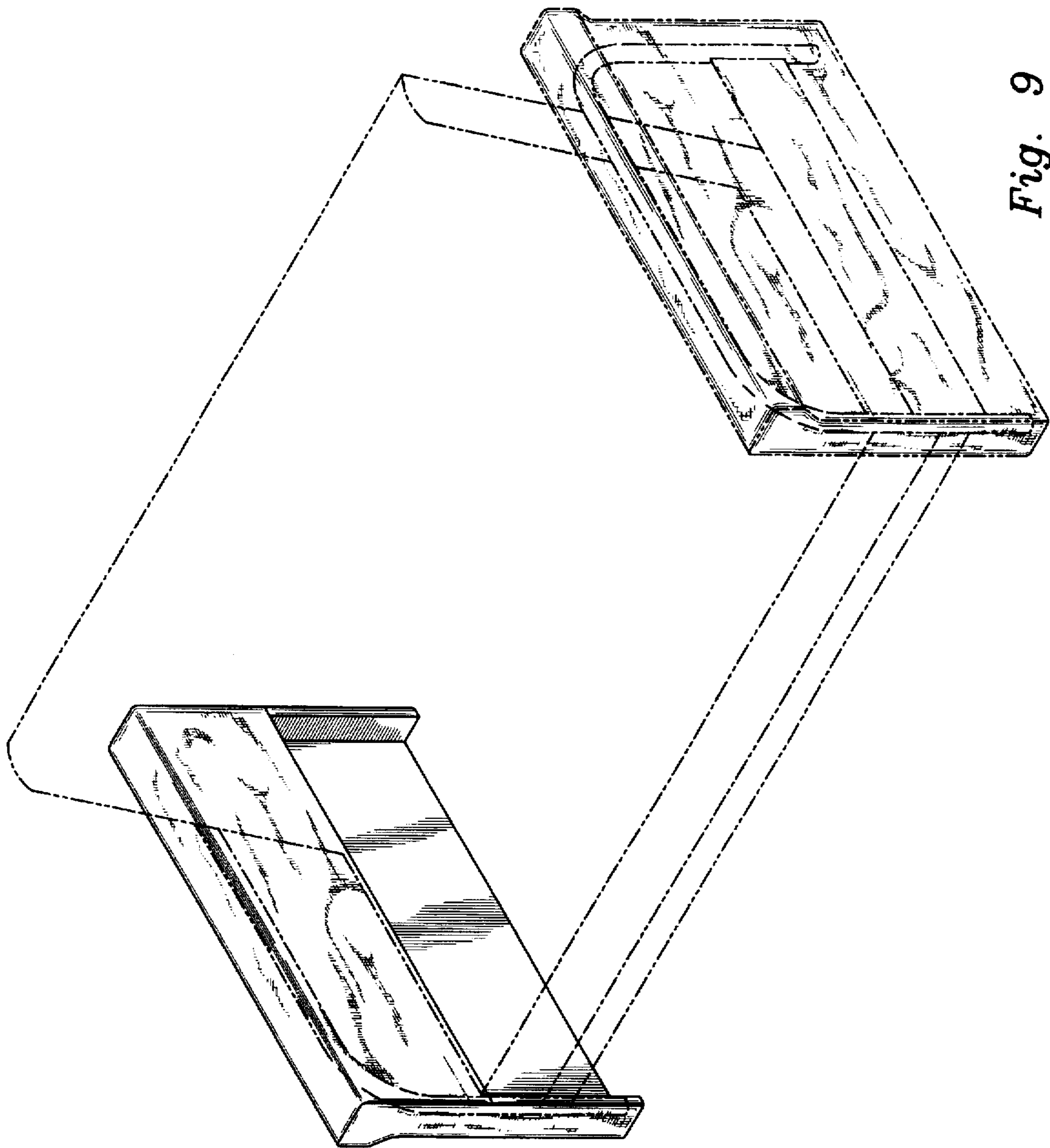


Fig. 9

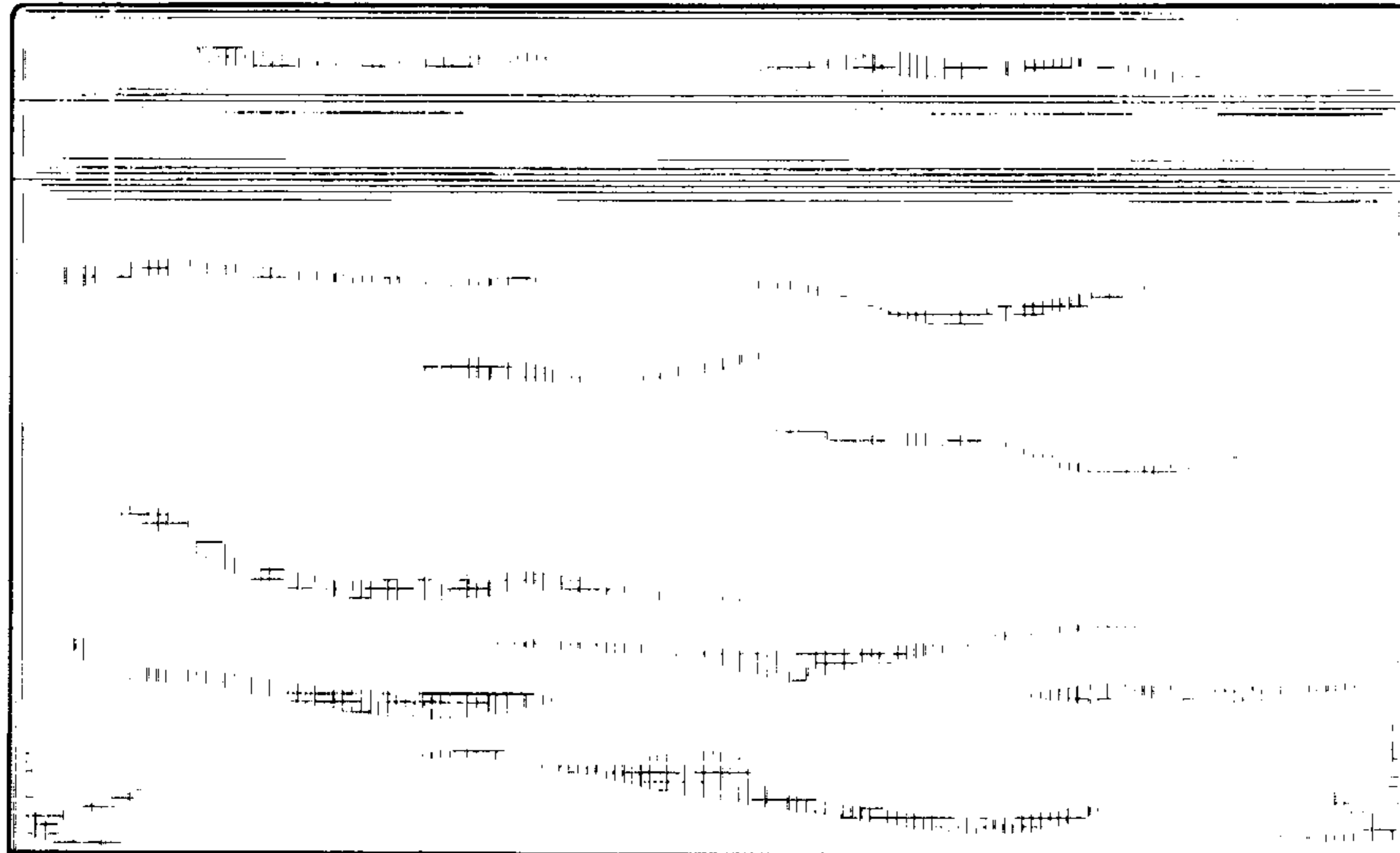


Fig. 10

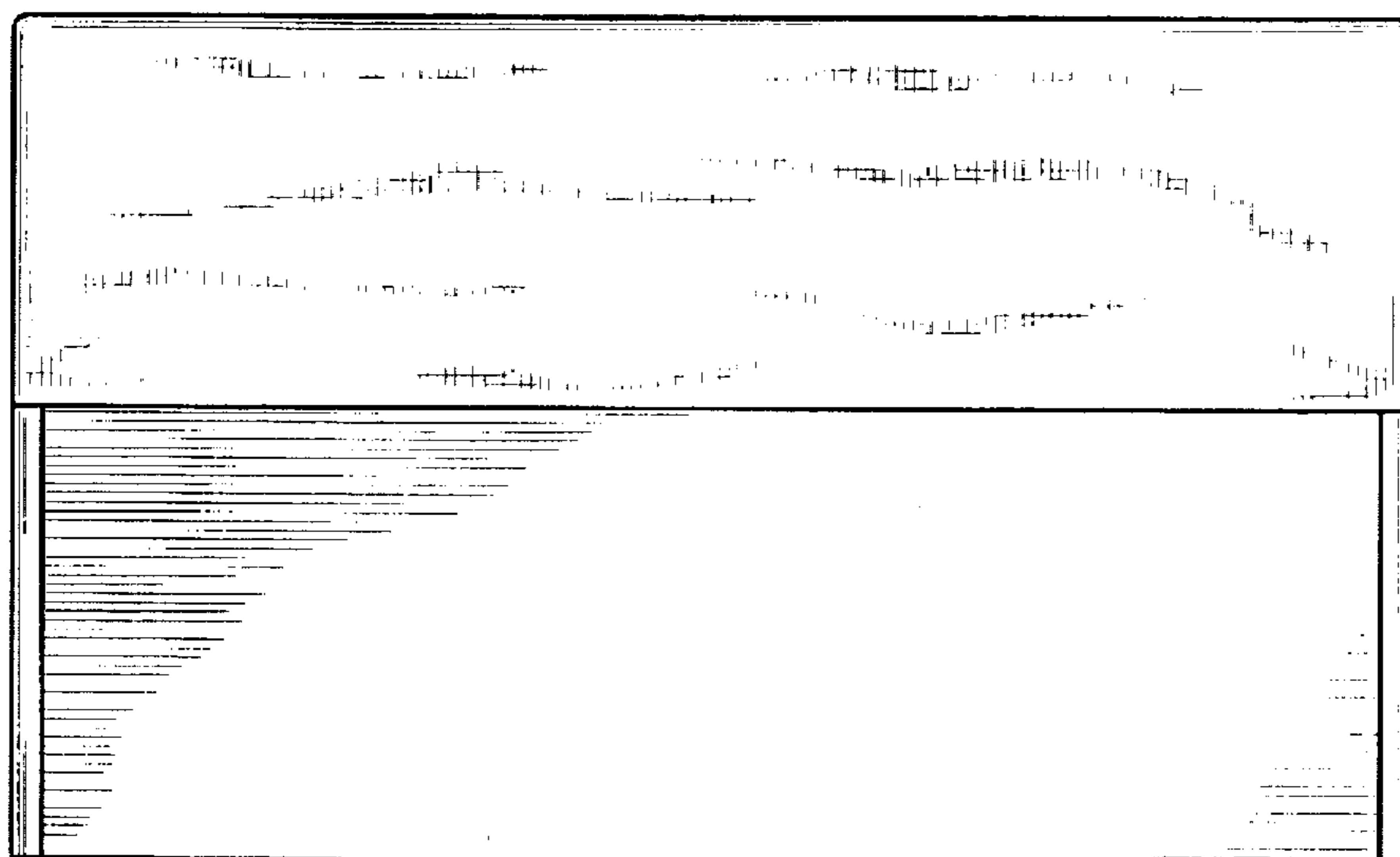


Fig. 11

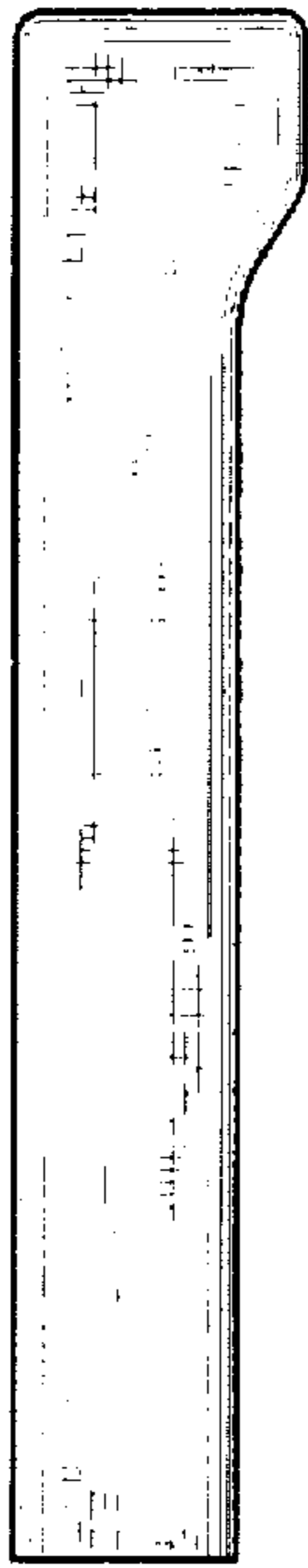


Fig. 12

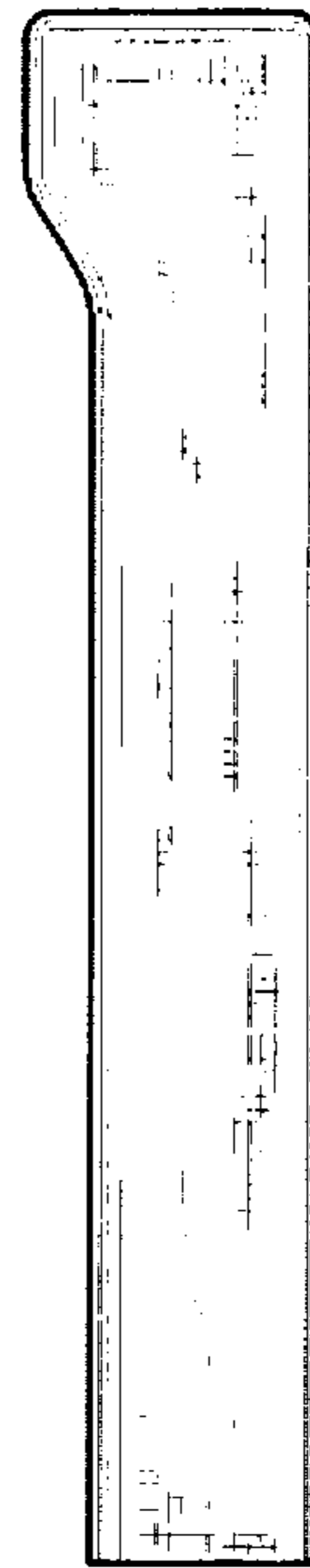


Fig. 13

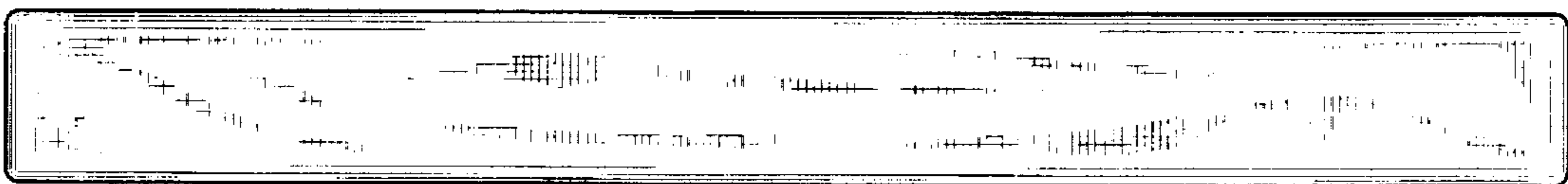


Fig. 14

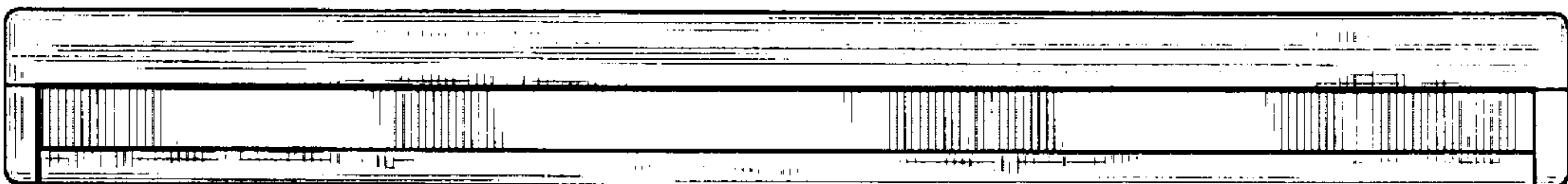


Fig. 15

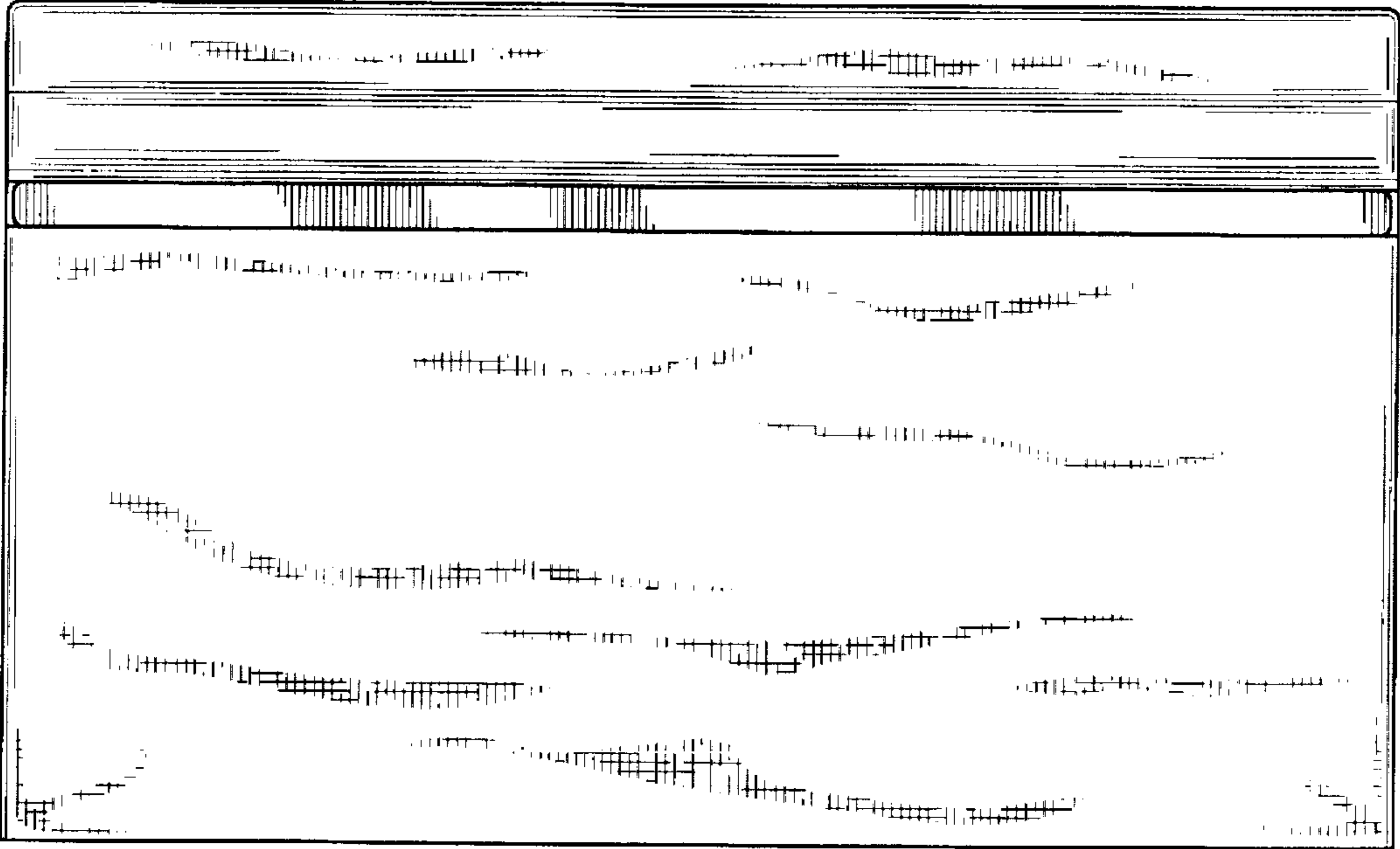


Fig. 16

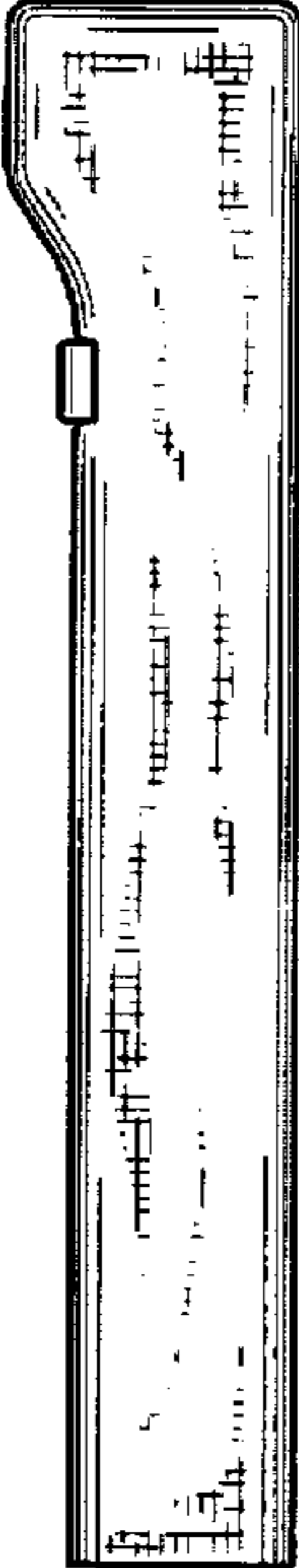


Fig. 17