



US00D386928S

United States Patent [19]
Moore

[11] **Patent Number: Des. 386,928**
[45] **Date of Patent: **Dec. 2, 1997**

[54] **MATTRESS SECURING DEVICE**

3,995,334 12/1976 Harris 5/202
4,192,028 3/1980 Knoke 5/200.1 X

[76] **Inventor: James Scott Moore, 7802 Longs Peak Dr., Riverside, Calif. 92509-5443**

Primary Examiner—Janice E. Seeger

[**] **Term: 14 Years**

[57] **CLAIM**

[21] **Appl. No.: 61,052**

The ornamental design for a mattress securing device, as shown and described.

[22] **Filed: Oct. 15, 1996**

DESCRIPTION

[51] **LOC (6) Cl. 06-06**

FIG. 1 is a front elevational view of the mattress securing device showing my new design;

[52] **U.S. Cl. D6/606**

FIG. 2 is a rear elevational view thereof;

[58] **Field of Search D6/382-384, 389-395, D6/491, 606-607; 5/202, 201, 200.1, 279.1, 658, 659**

FIG. 3 is a right side elevational view thereof;

FIG. 4 is a left side elevational view thereof;

FIG. 5 is a top plan view thereof;

FIG. 6 is a bottom plan view thereof; and,

FIG. 7 is an isometric view thereof.

[56] **References Cited**

U.S. PATENT DOCUMENTS

3,713,181 1/1973 Houglund 4/201 X
3,761,970 10/1973 Fredman 5/201 X

1 Claim, 3 Drawing Sheets

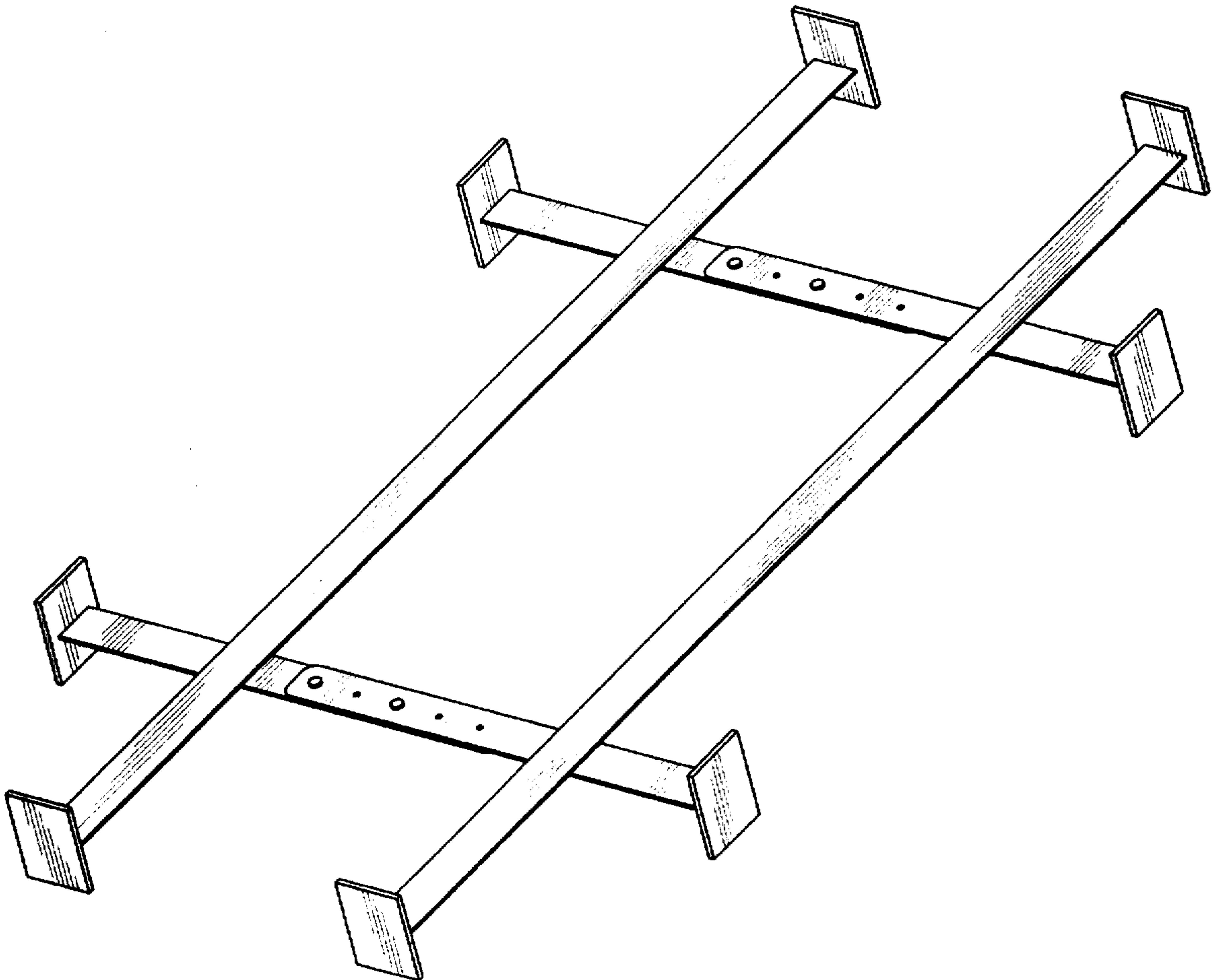


FIG. 1



FIG. 2



FIG. 3



FIG. 4



FIG. 5

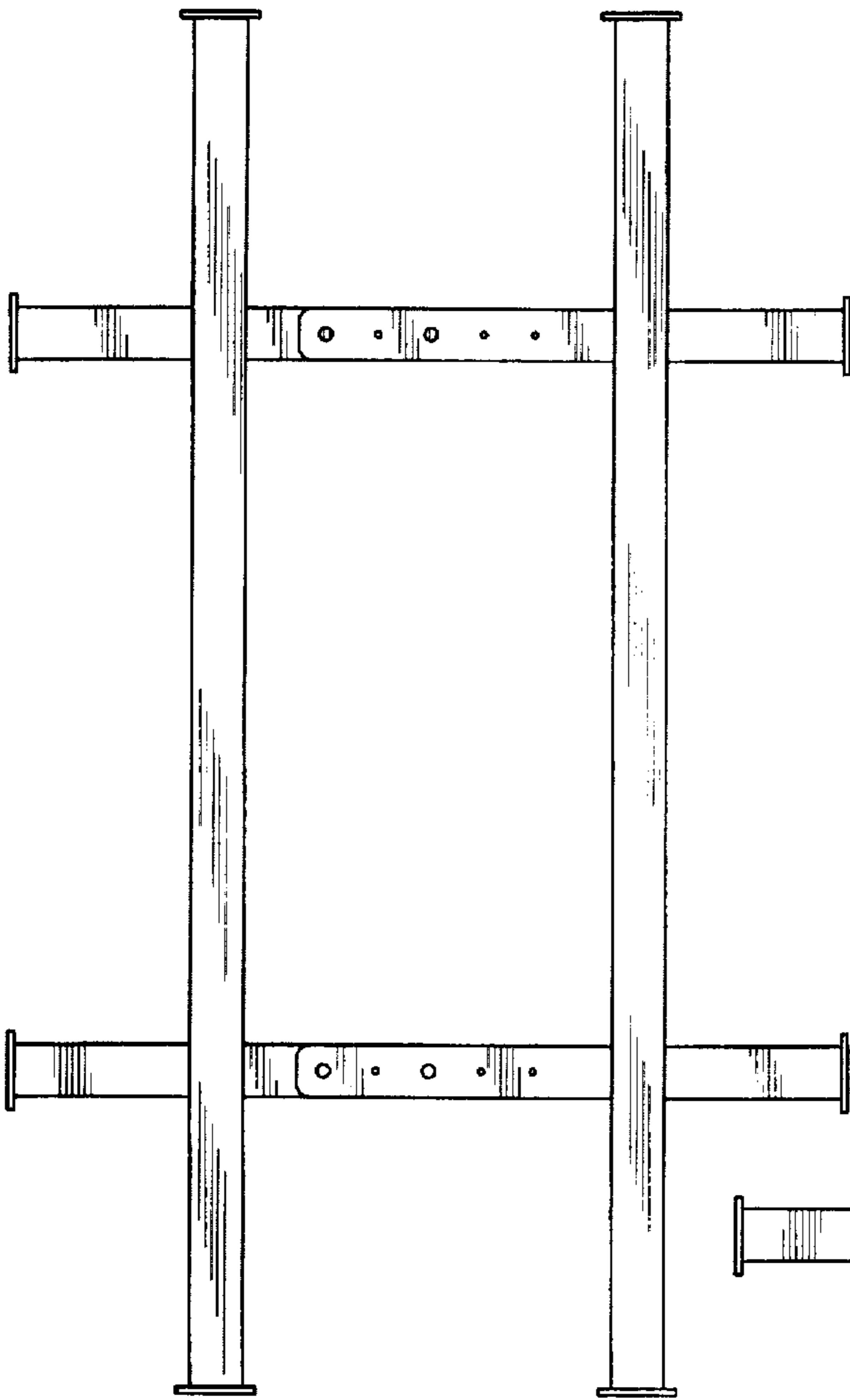


FIG. 6

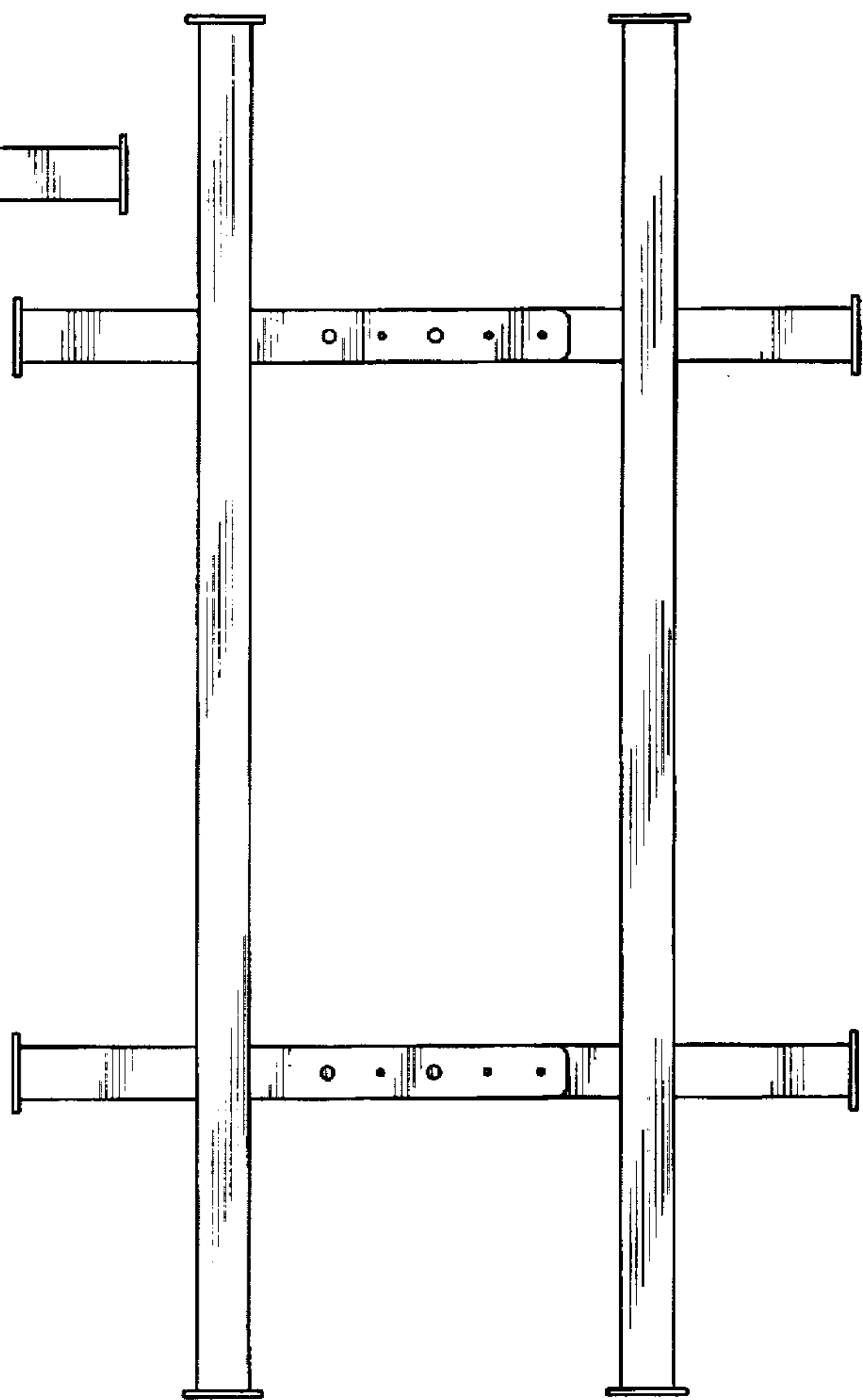


FIG. 7

