

US00D386923S

**United States Patent** [19]  
**Moore**

[11] **Patent Number:** **Des. 386,923**  
[45] **Date of Patent:** **\*\*Dec. 2, 1997**

[54] **TISSUE HOLDER**  
[75] **Inventor:** **Glenn David Moore**, Newfoundland,  
N.J.  
[73] **Assignee:** **Melard Manufacturing Corp.**, Passaic,  
N.J.  
[\*\*] **Term:** **14 Years**  
[21] **Appl. No.:** **54,952**  
[22] **Filed:** **May 24, 1996**  
[51] **LOC (6) Cl.** ..... **07-07**  
[52] **U.S. Cl.** ..... **D6/523**  
[58] **Field of Search** ..... D6/518, 522, 523,  
D6/549; 242/570, 600, 598; 312/34.8; 206/389

D. 327,193 6/1992 Crook et al. .... D6/523  
D. 334,315 3/1993 Bengston ..... D6/523 X  
4,071,200 1/1978 Stone ..... 312/34.8 X

*Primary Examiner*—Brian N. Vinson  
*Attorney, Agent, or Firm*—Edgar A. Zarins; Malcolm L. Sutherland

[57] **CLAIM**

The ornamental design for a tissue holder, as shown and described.

**DESCRIPTION**

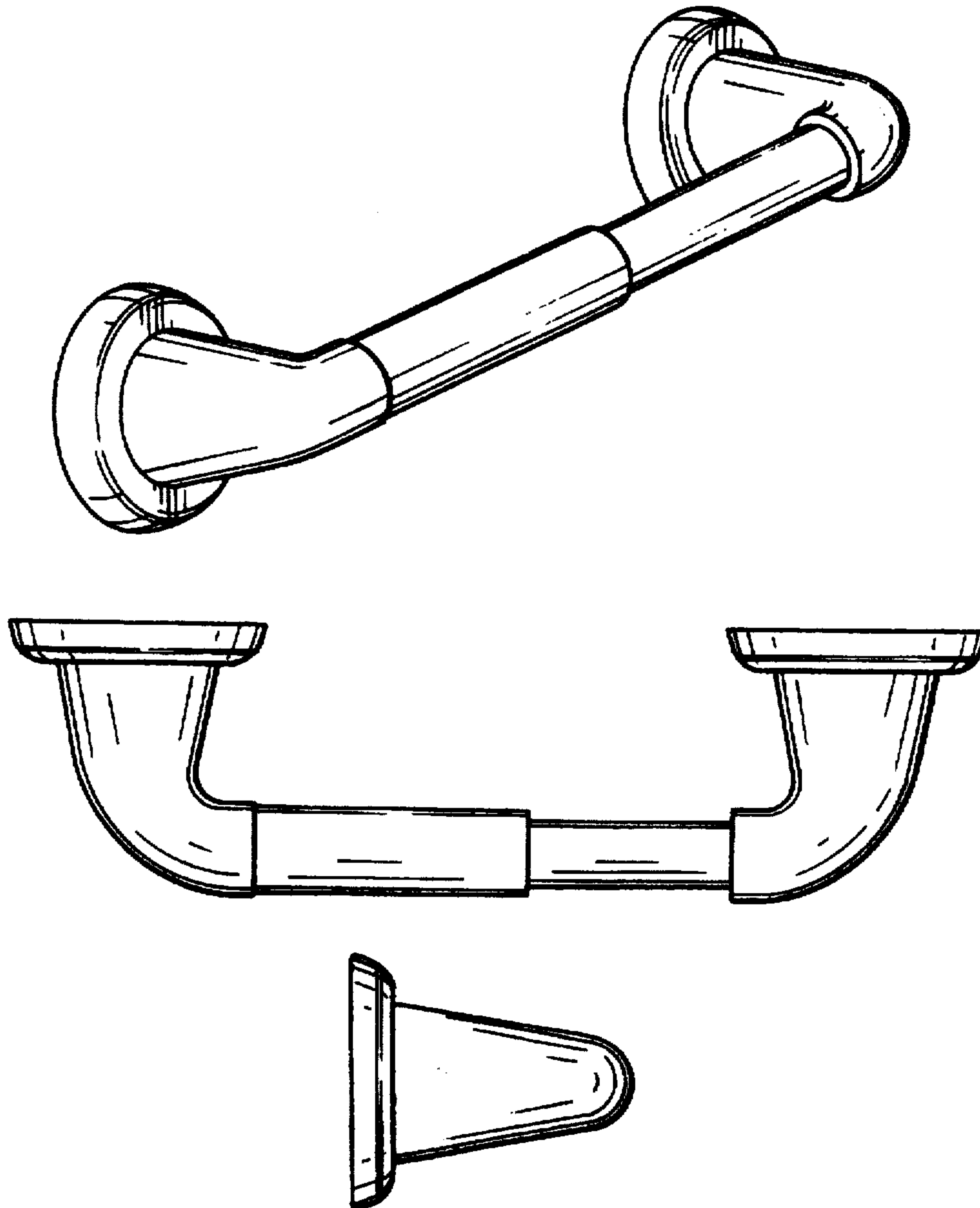
FIG. 1 is a perspective view of a tissue holder showing my new design;  
FIG. 2 is a top plan view thereof;  
FIG. 3 is a front elevation view thereof;  
FIG. 4 is an end view thereof, the opposite end being a mirror image of the end shown;  
FIG. 5 is a bottom plan view thereof; and,  
FIG. 6 is a rear view thereof.

[56] **References Cited**

**U.S. PATENT DOCUMENTS**

D. 291,518 8/1987 Chap ..... D6/523  
D. 314,108 1/1991 Chap et al. .... D6/523

**1 Claim, 2 Drawing Sheets**



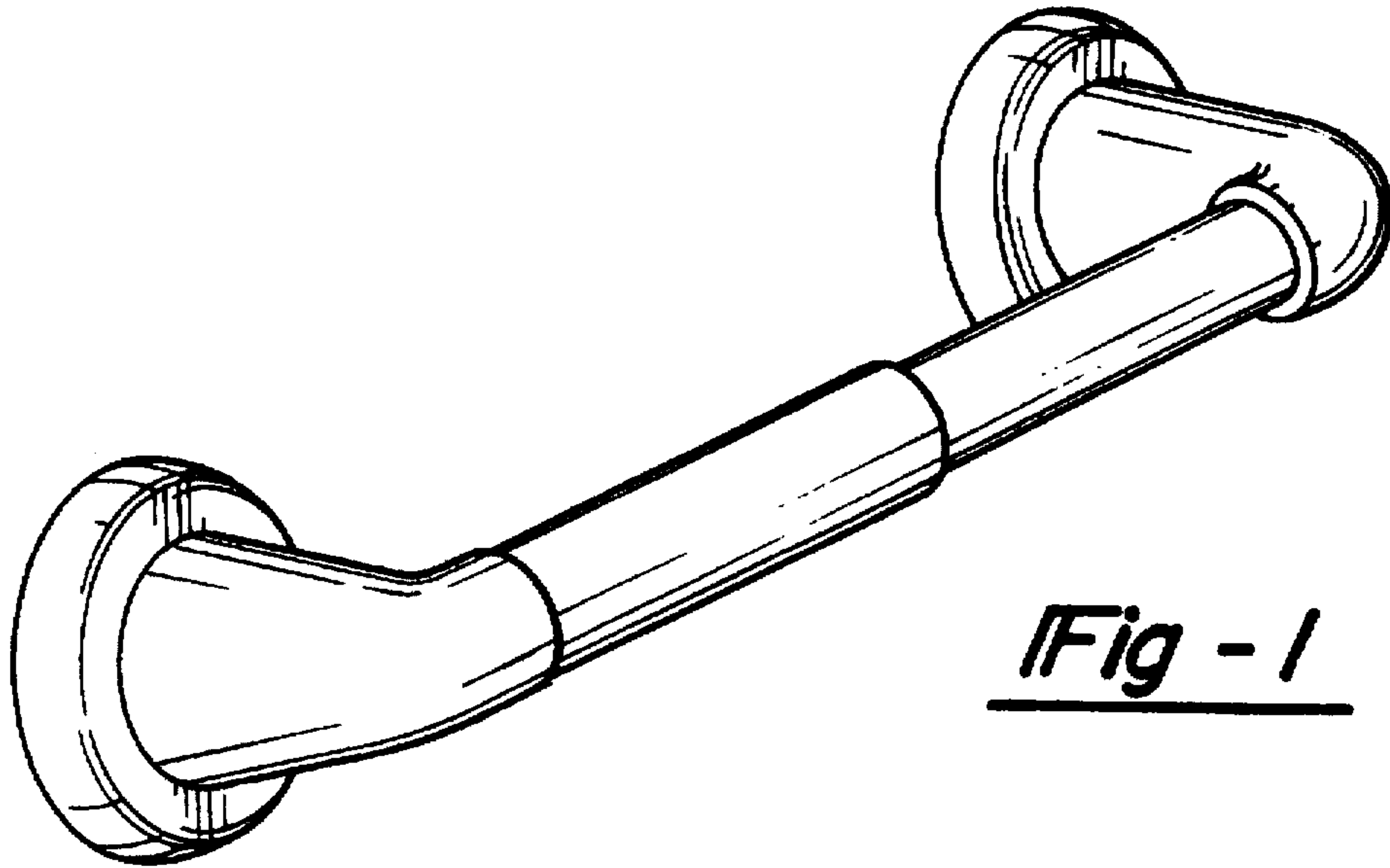


Fig - 1

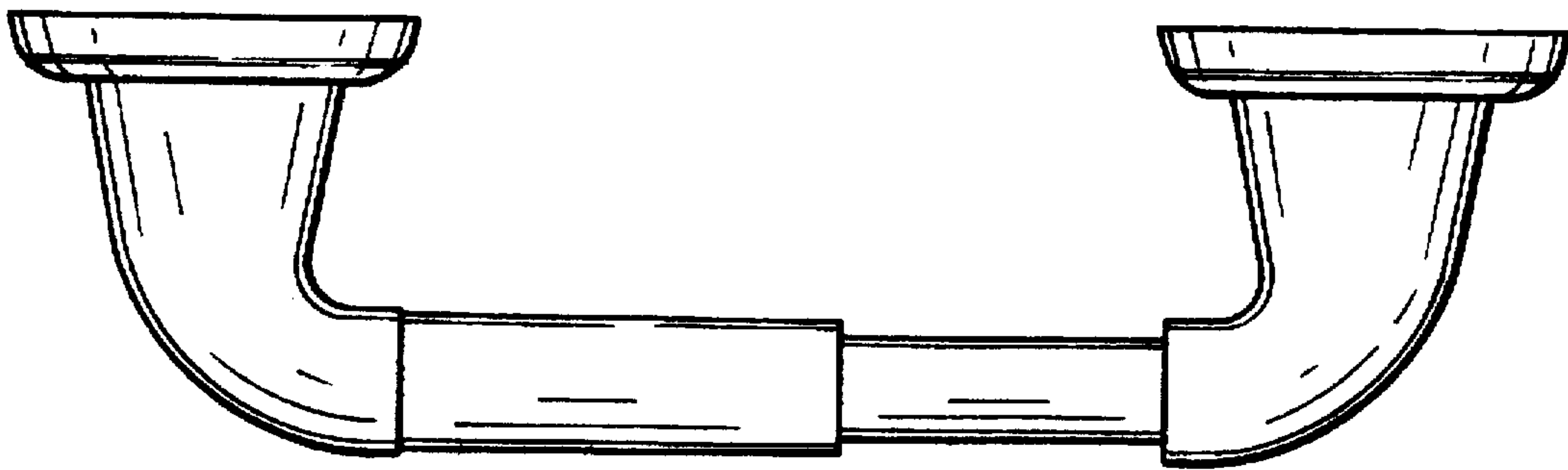


Fig - 2

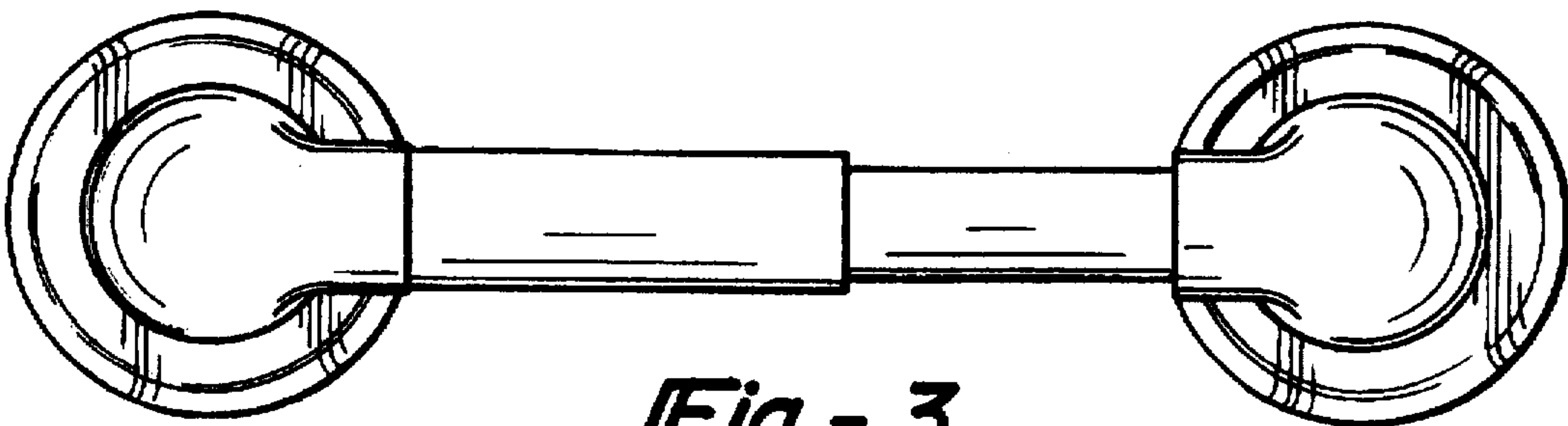


Fig - 3

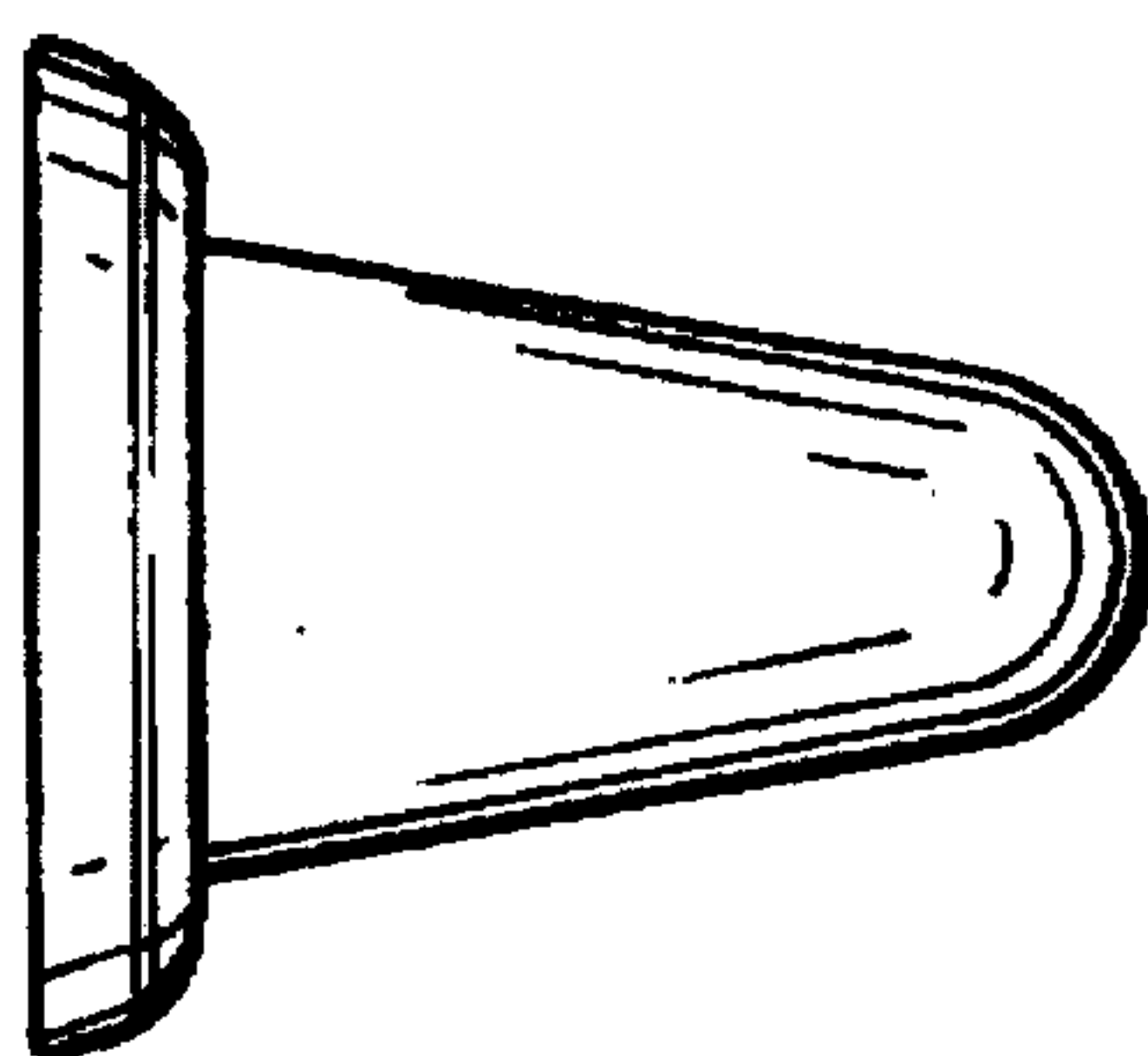


Fig - 4

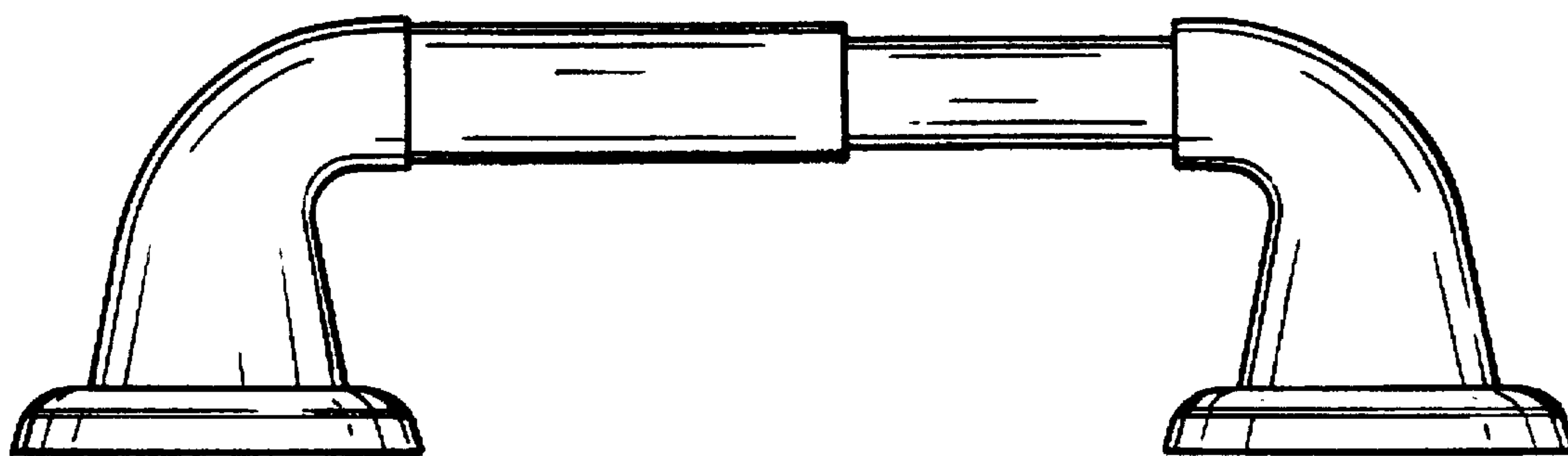


Fig - 5

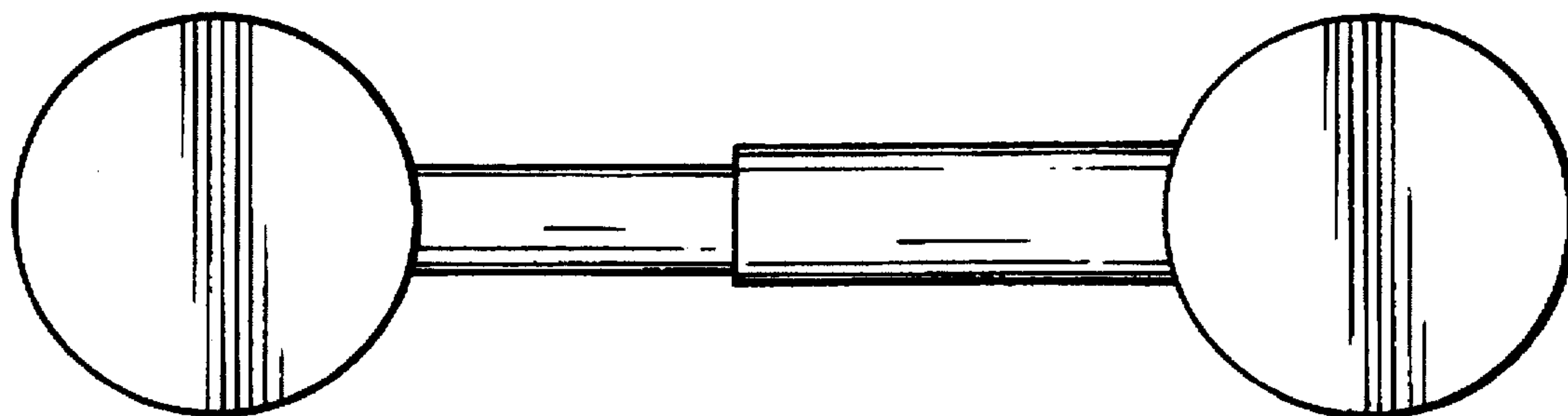


Fig - 6